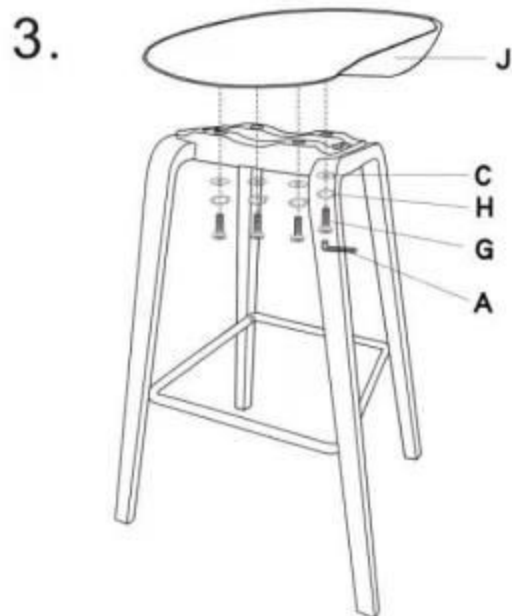
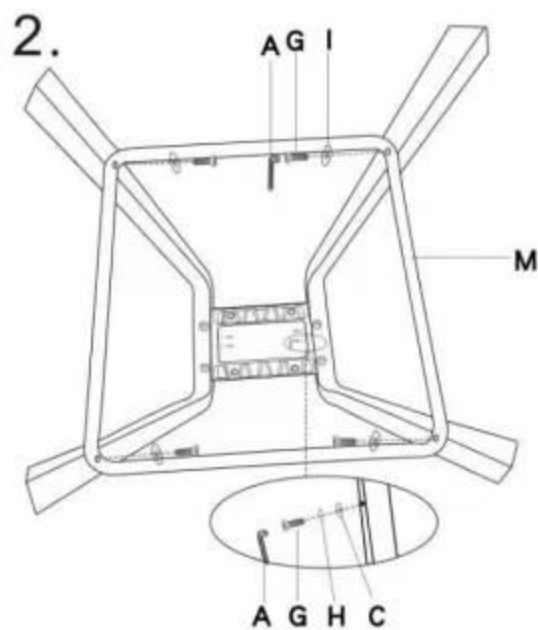
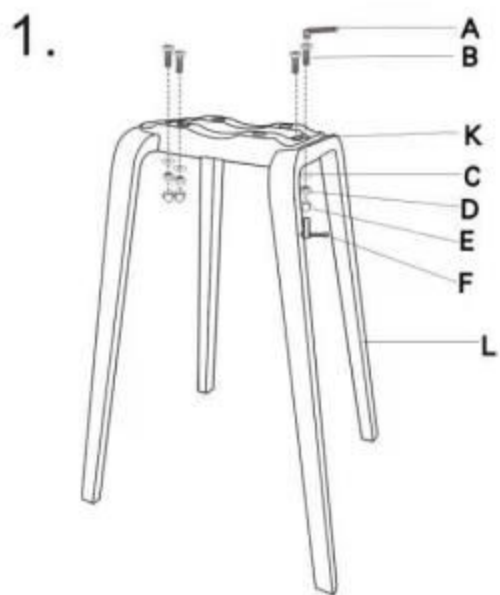


Assembly Instructions



A			1
B		6×40MM	4
C		6×18×2MM	12
D			4
E			4
F			1
G		6×25MM	12
H			8
I		6×14×1MM	4
J			1
K			1
L			2
M			1