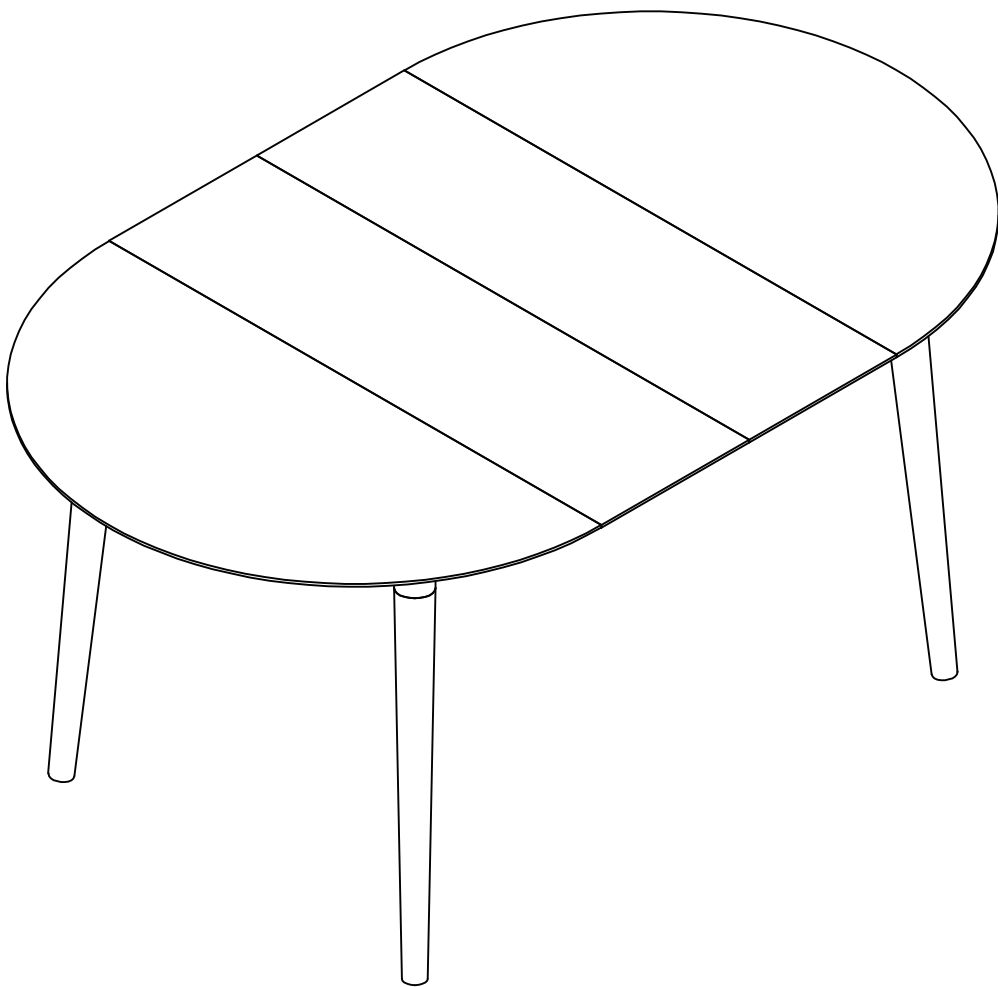


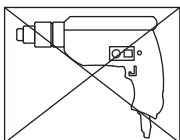
TABLE

Assembly Instructions

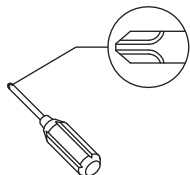


General Assembly Guidelines

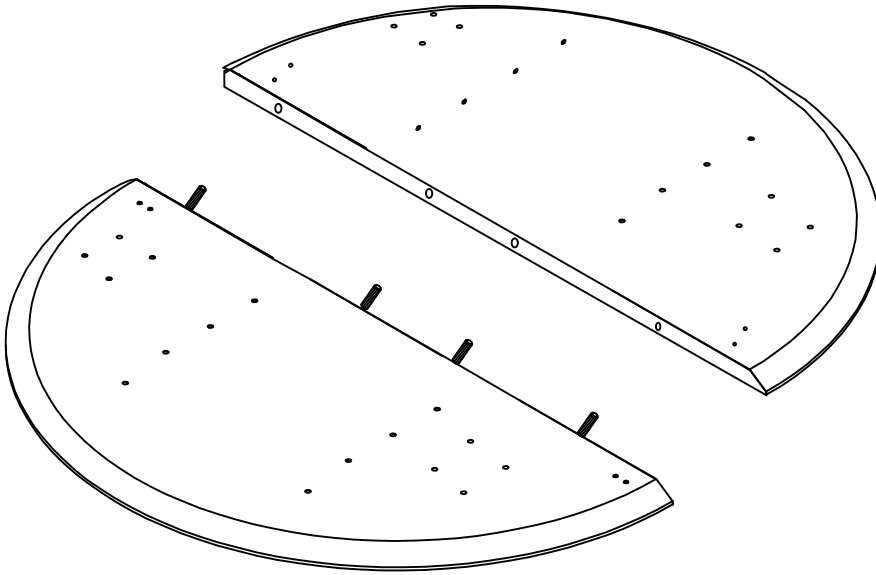
- I. Ensure that all parts and hardware are available before beginning assembly.
- II. Follow each step carefully to ensure the proper assembly of this product.
- III. Two people are recommended for ease in the assembly of this product.
- IV. Power tools should not be used to assemble this product.



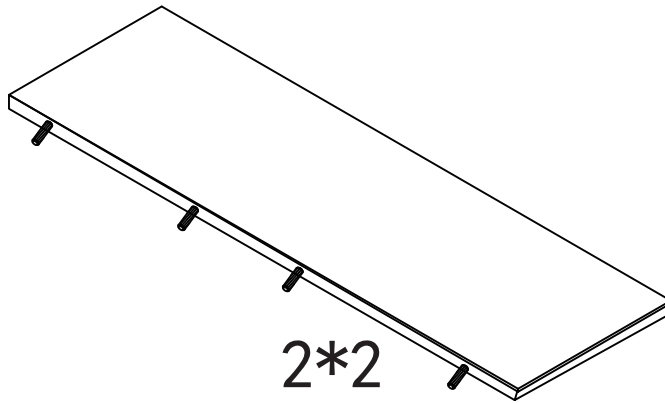
- V. A Phillips head screwdriver is required for the assembly of this product (not included).



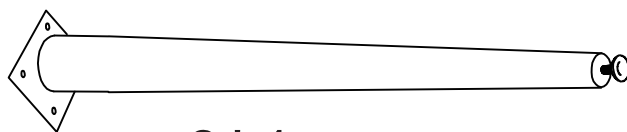
Parts List



1*1 set



2*2



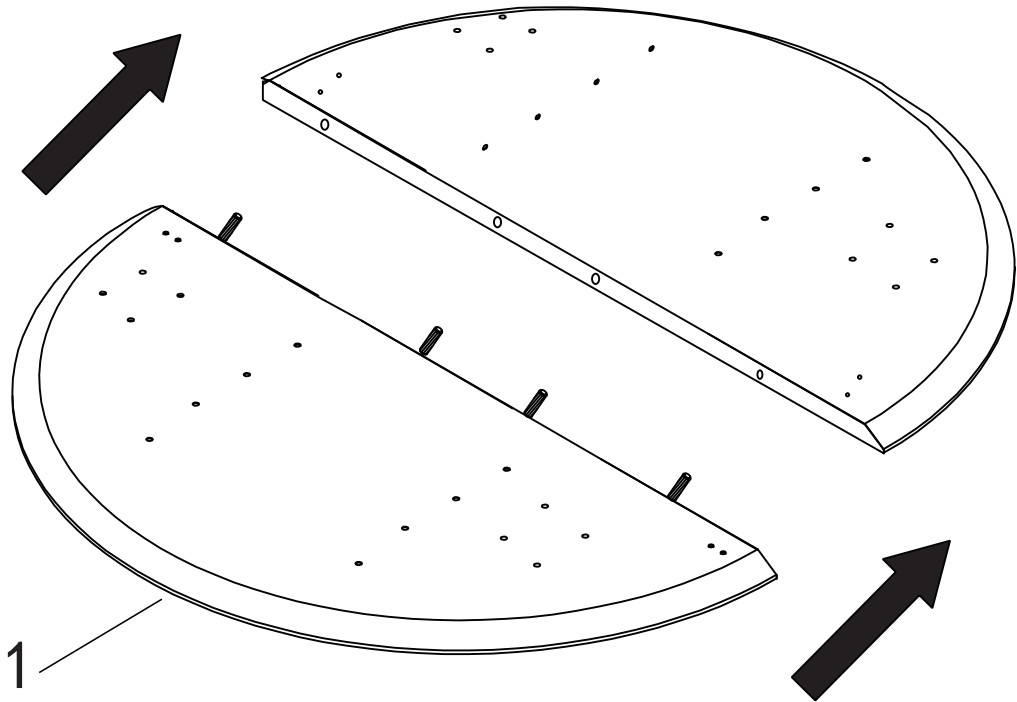
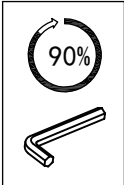
3*4

Hardware List

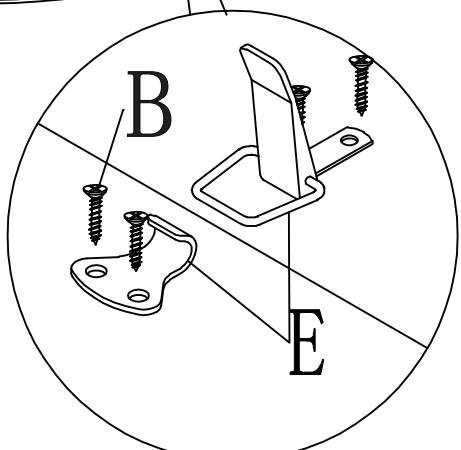
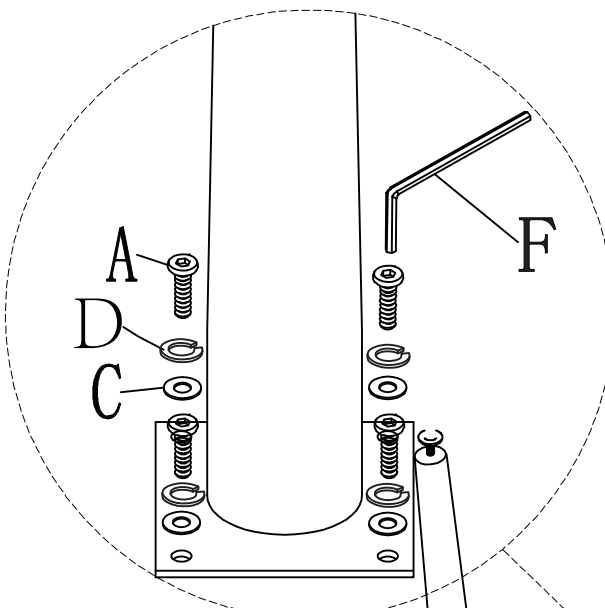
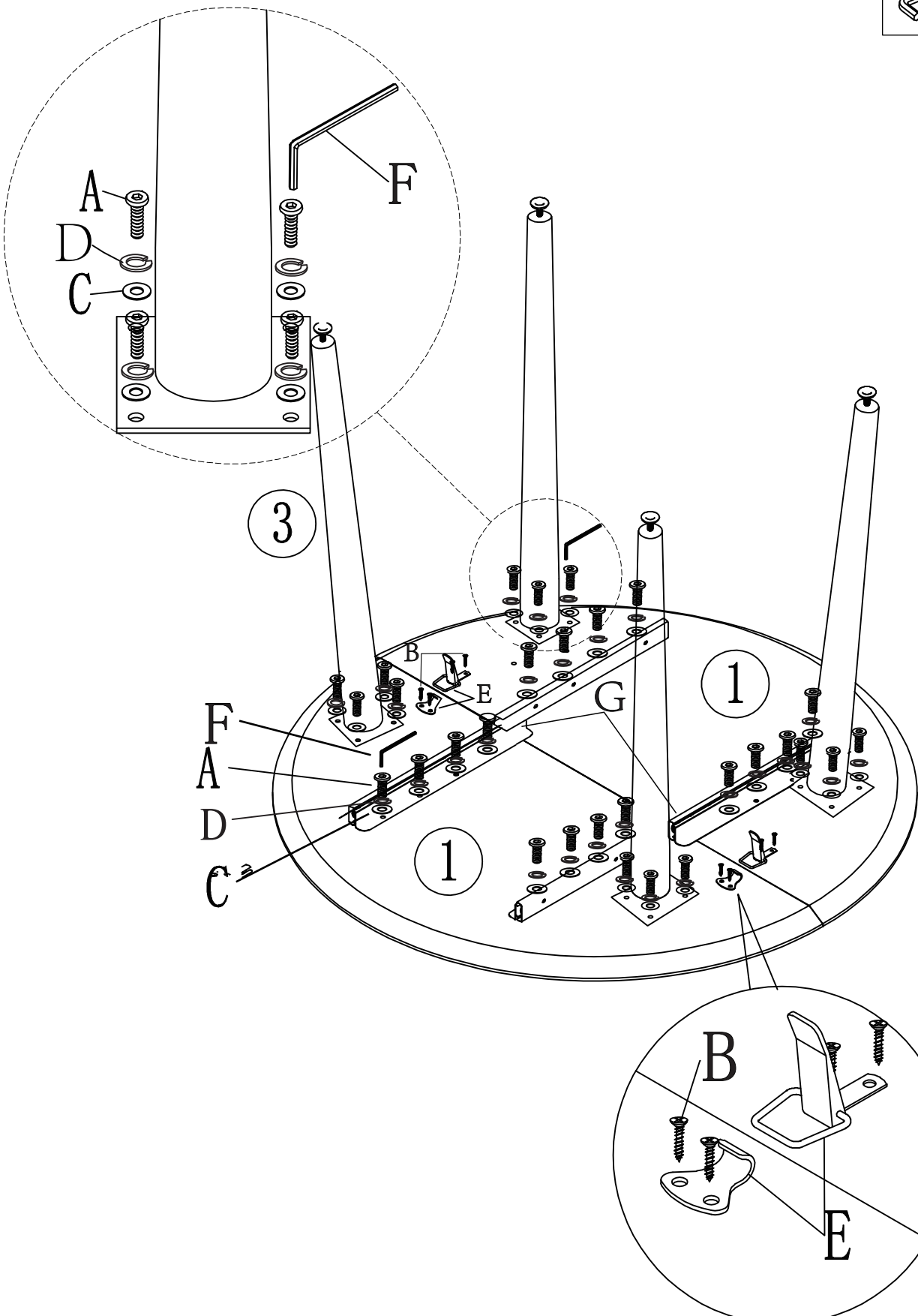
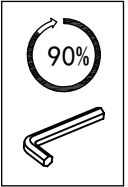
A		M8x20mm	Bolt	32	pcs
B		Ø3.5x16mm	Screw	24	pcs
C		8x18mm	Shim	32	pcs
D		8#	Spring washer	32	pcs
E			Pull button	6	pcs
F		M5	Hex Key	1	pcs
G			Skidway	2	pcs

*The hardware quantities listed above are required for proper assembly.
Some extra hardware may also have been included.*

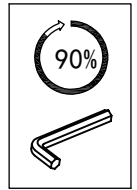
Step 1



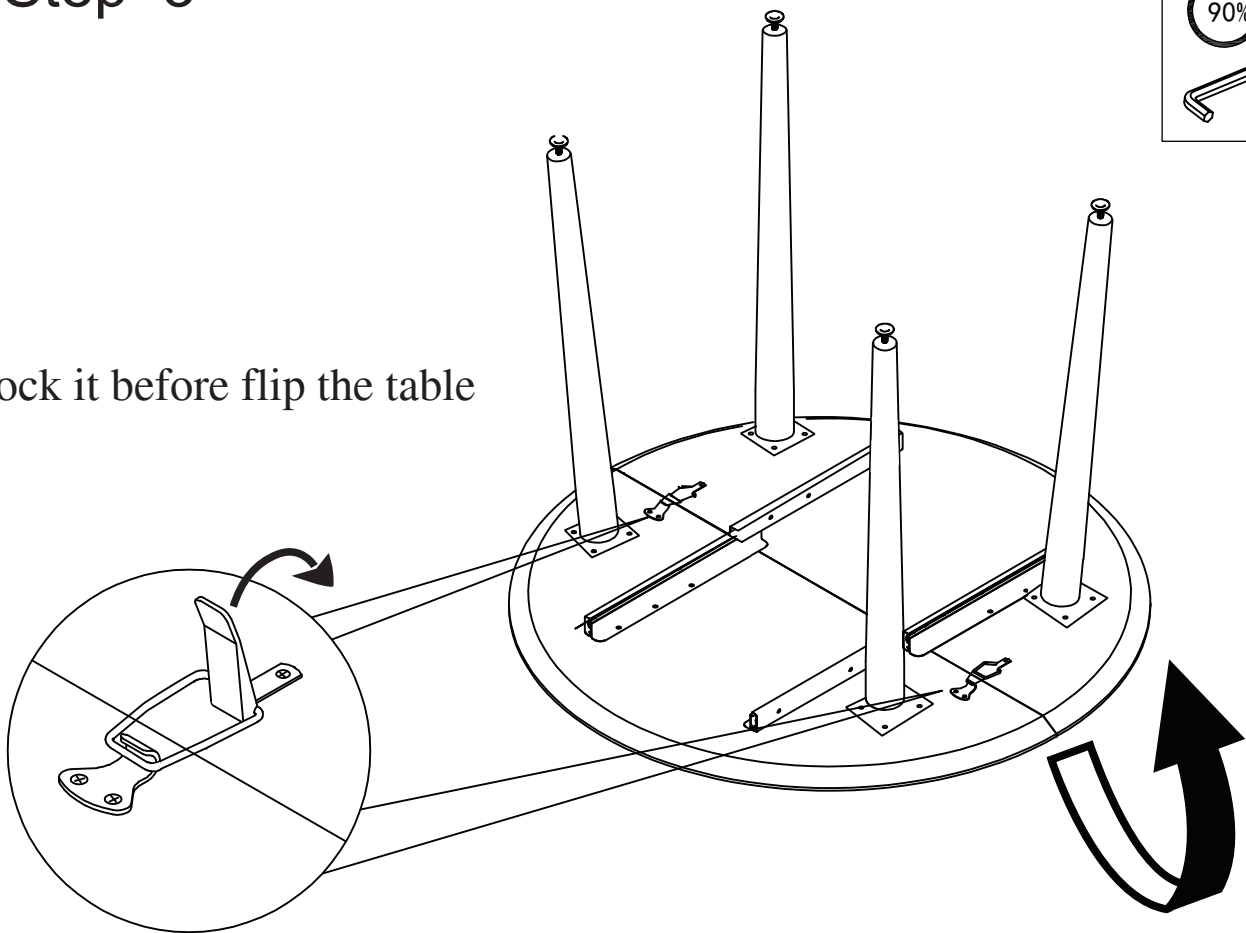
Step 2



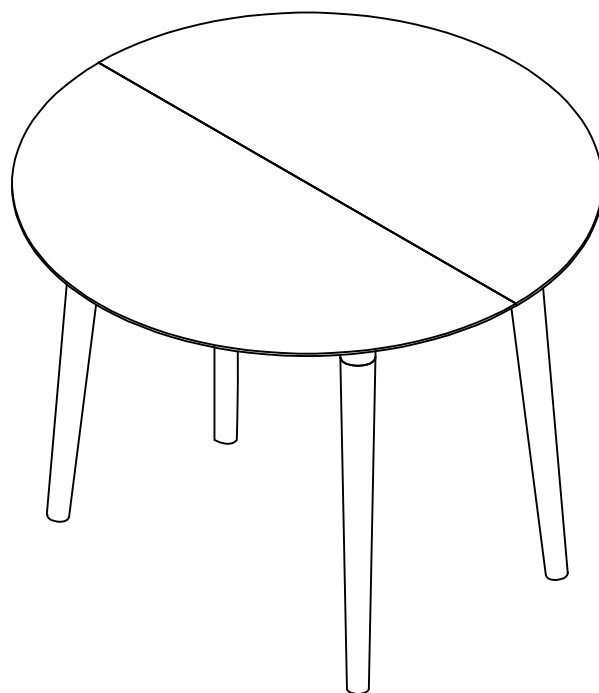
Step 3



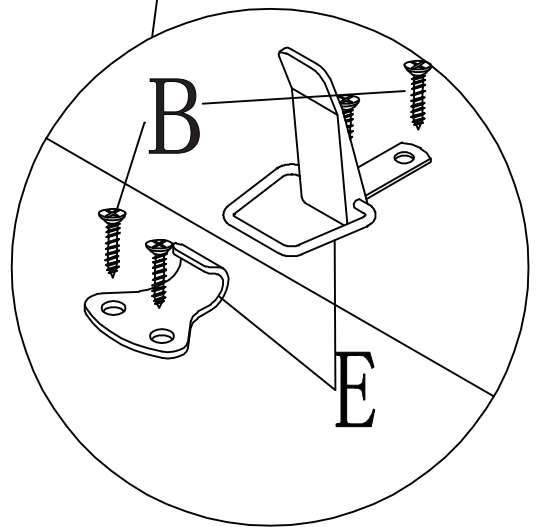
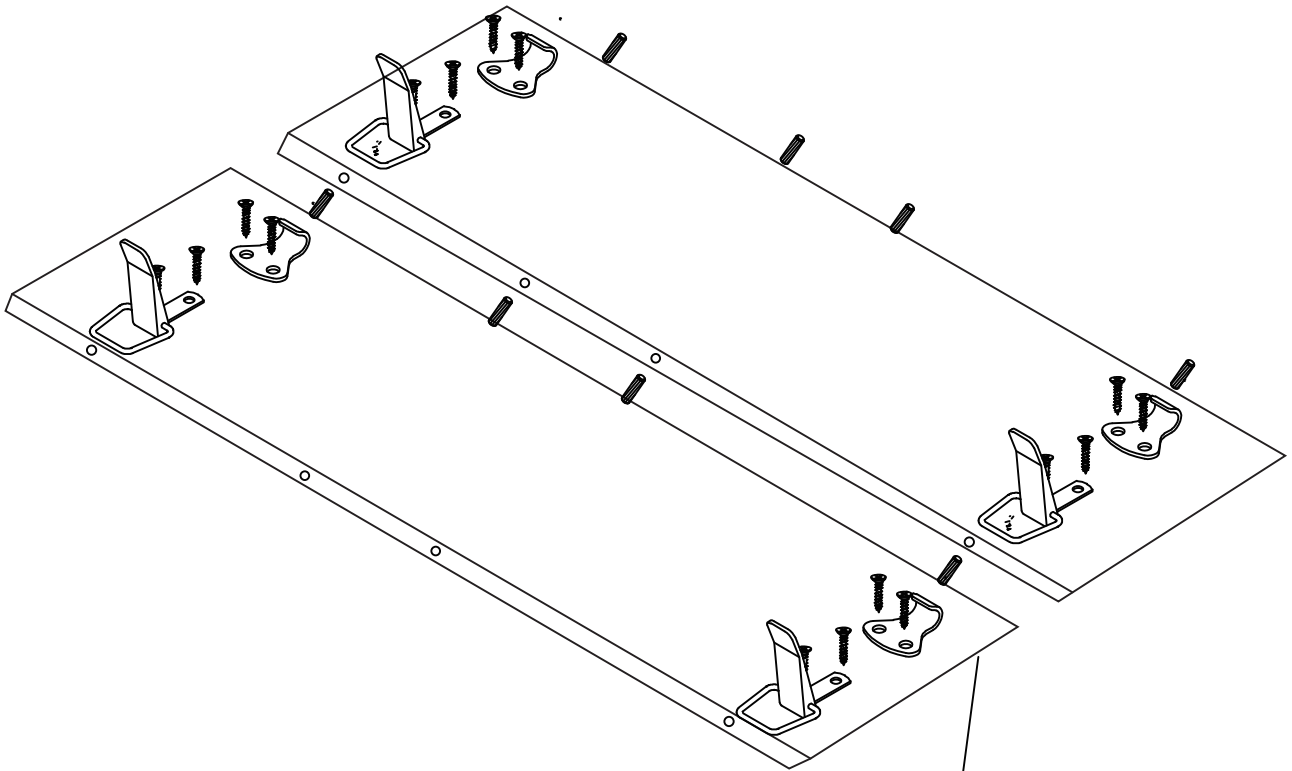
Lock it before flip the table



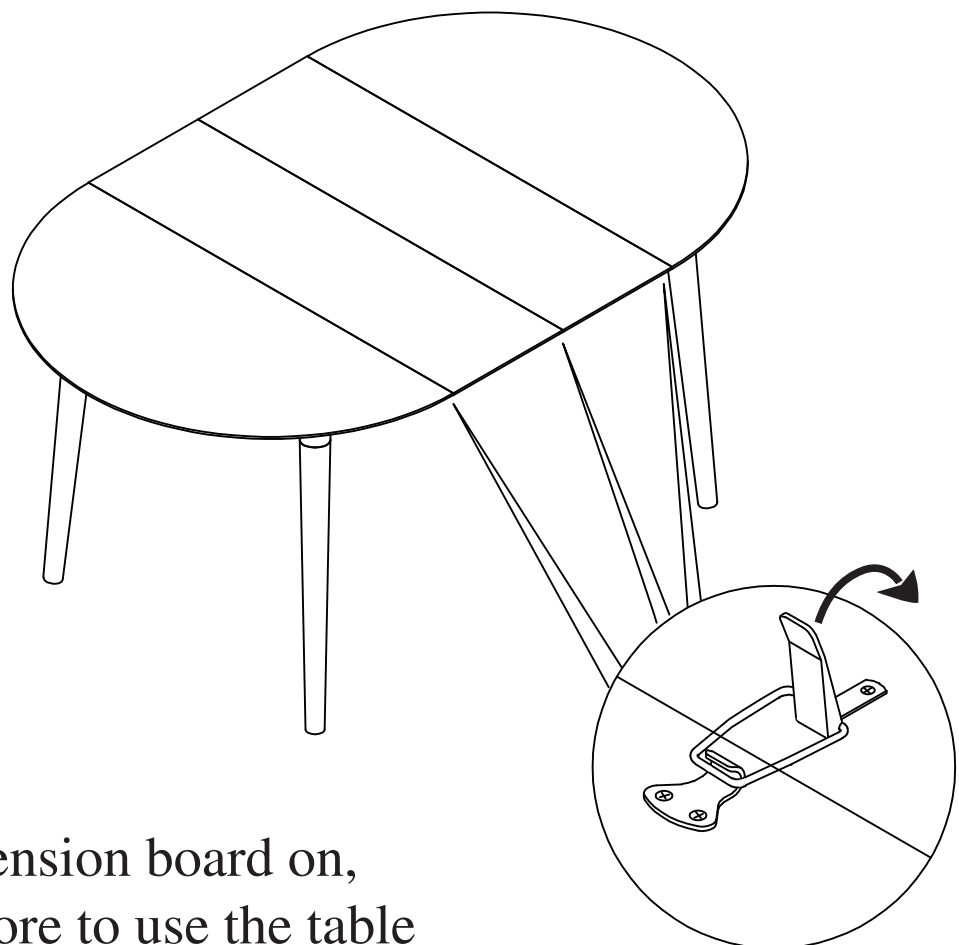
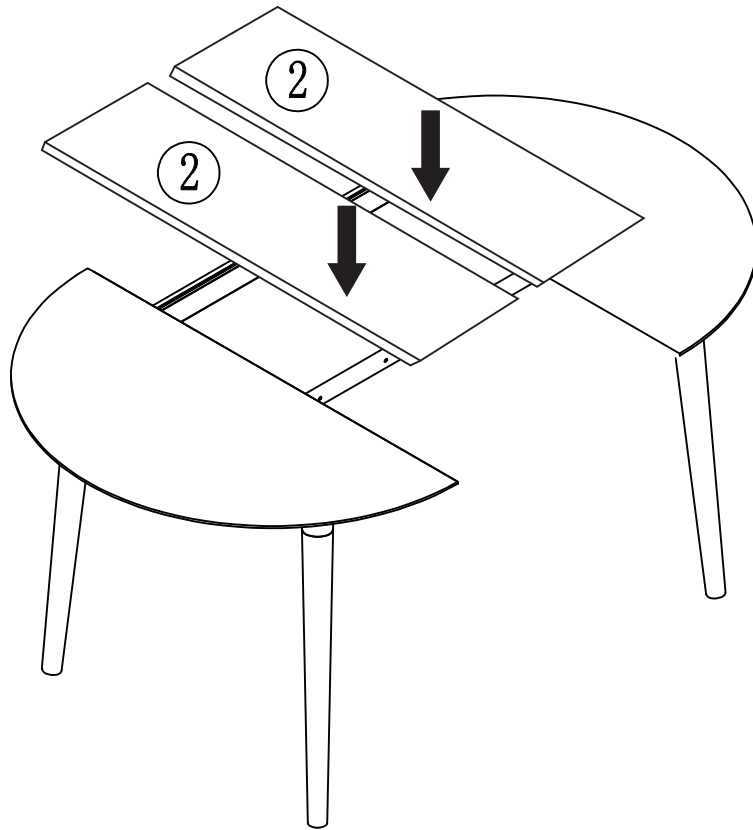
Notice: Hold on to the top of the table when it's flipped, don't hold legs



Step 4



Step 5



Put the extension board on,
Lock it before to use the table

Step 6



Final Assembly