




Safety Information


Basic precautions should always be followed when using this product. Please read all instructions before using the cabinet.


Failure to observe all instructions and warnings regarding use this product may cause serious property damage or personal Injured.

 When unpacking, Please be careful don't cut too deep to damage the products in the box, just use the blade to scratch the parcel tape.

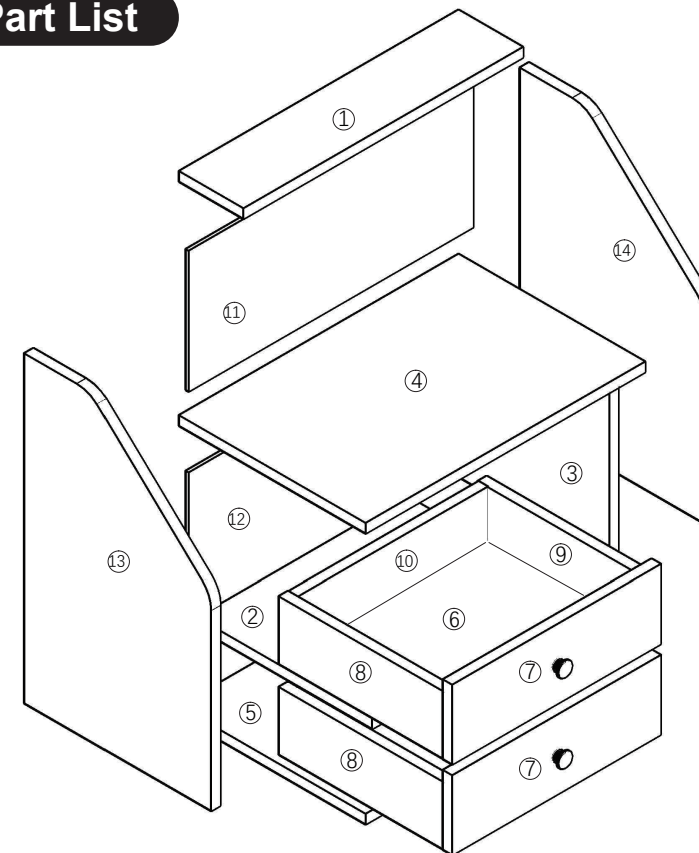
 Check the product accessories and hardware accessories in the box; and confirm whether, the instructions are complete.









 When installing, please pay attention to the protection of the parts. The soft material must be placed under the product, and the product must be handled with care to avoid damaging the surface of the parts.

 After the assembly is completed, please adjust the placement position according to the actual situation.

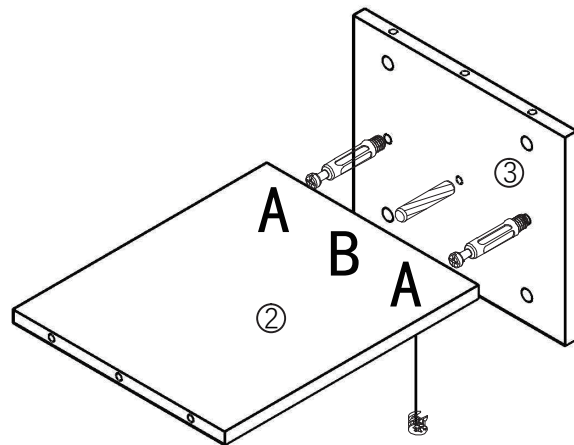
 Keep children away from cabinets, accessories and installation tools.They are at risk of injury to the child.

Part List

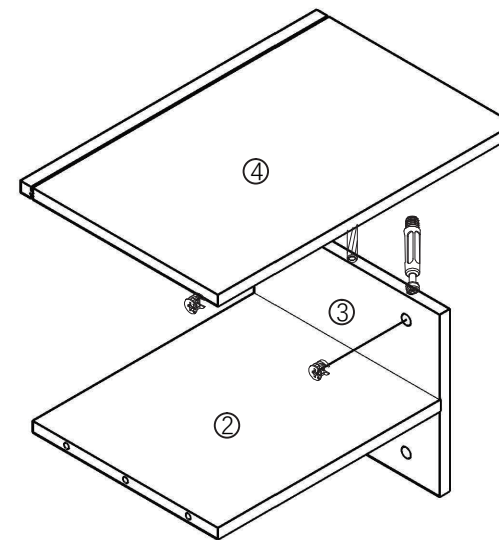
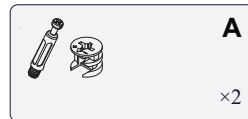


 A ×28	 B ×12
 C ×8	 D ×8
 E ×2	 F ×4
 G ×8	 H ×4

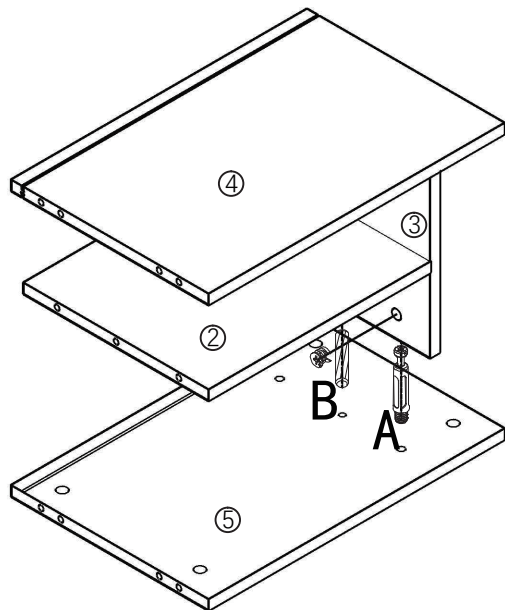
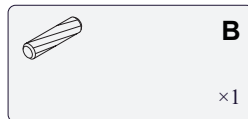
STEP 1



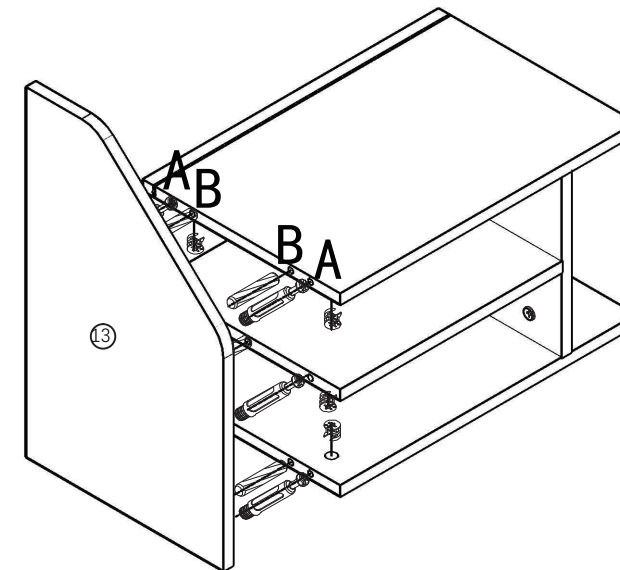
STEP 2



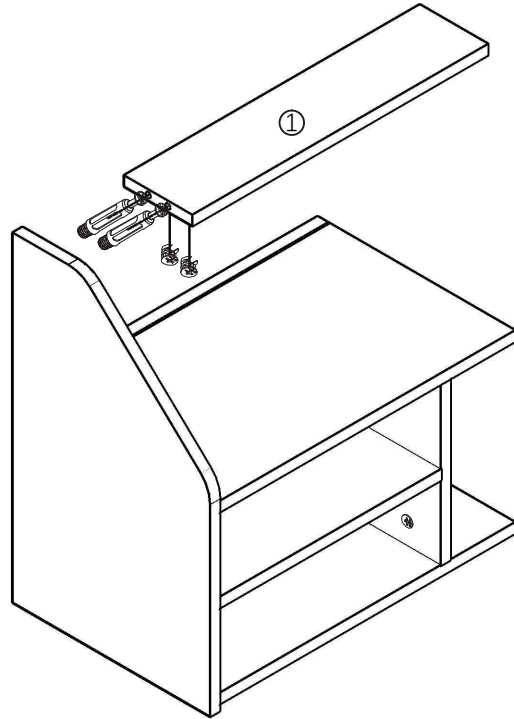
STEP 3



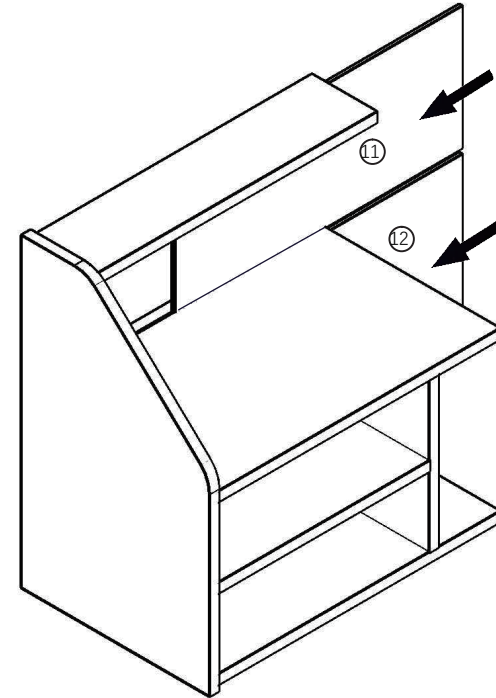
STEP 4



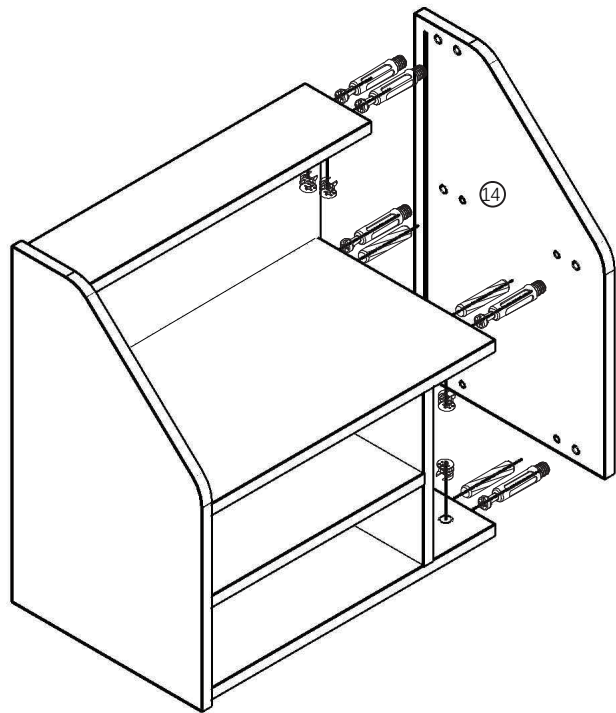
STEP 5



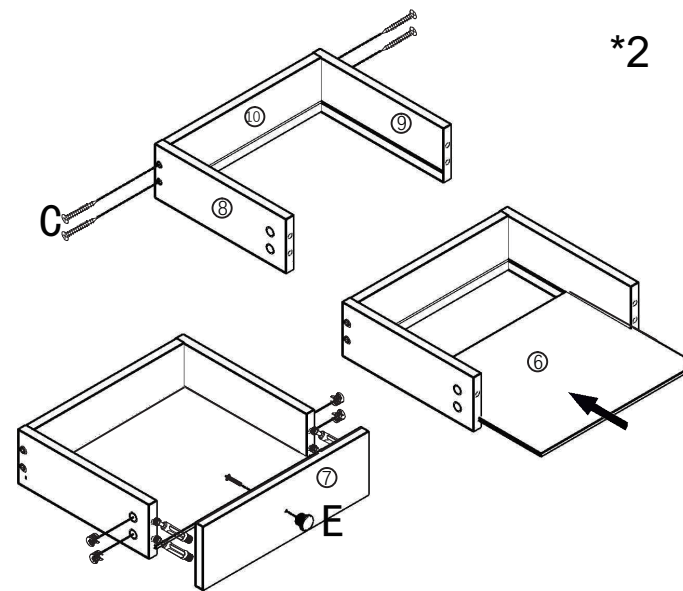
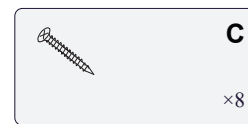
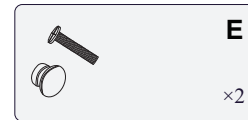
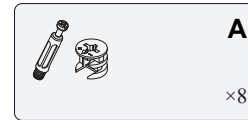
STEP 6







STEP 7



STEP 8



STEP 9

- 
F×4
- 
G×8
- 
D×8
- 
H×4

