

# Manual

## Notice



Read this assembly manual carefully, and verify that you have all the parts listed before you begin. Keep your assembly manual for future reference.



Move this stand gently with 2 persons.



Protect finishes by placing furniture pieces on a soft carpeted surface during assembly.



Do not place very hot/cold objects on top of any surface. Always use a coaster or mat. Never leave liquids on the surface: Clean immediately with a mild soap and a damp cloth. Never use scouring powder based cleanser. Don't touch the glass surface with a hard/acute object it may cause the glass to shatter.


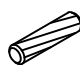

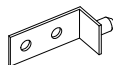
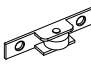



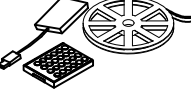



**DO NOT ASSUME CHILD SAFETY WITH ANY PIECE OF FURNITURE!**

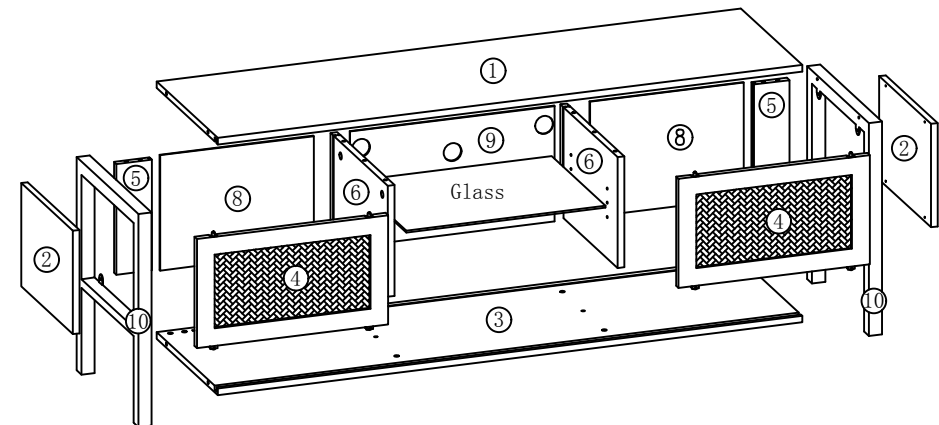
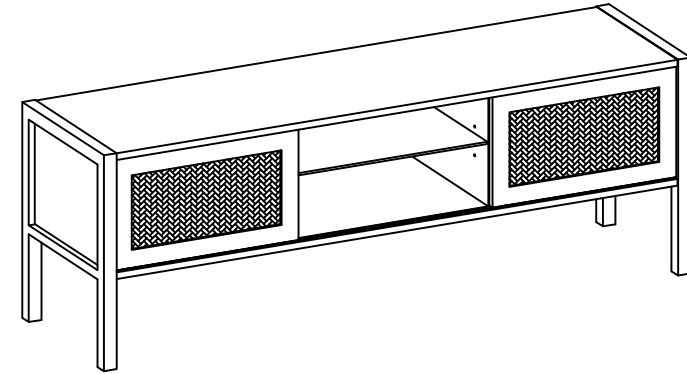
Do not allow children to climb on furniture. Improper use can cause death or serious injury. If you are placing a TV on top use safety straps on your TV to prevent the risk of a toppling television. Furniture straps fastened to a wall can also be used to help ensure safety.

Damaged parts or furniture put together incorrectly can lead to serious injuries. Make sure to follow instructions correctly.

## Parts list

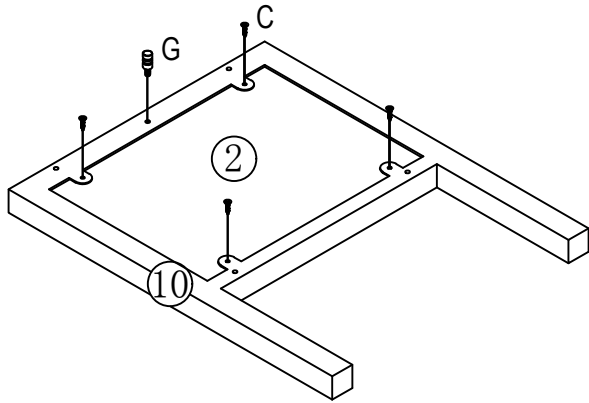
|   |   |  |   |
|---|---|--|---|
| <p><b>A x24</b></p>  <p>A1 M6*38mm<br/>A2 M15*11mm</p> | <p><b>B x4</b></p>  <p>φ8*40mm</p> | <p><b>C x24</b></p>  <p>M3.5*14mm</p> |   |
| <p><b>D x4</b></p>                                   | <p><b>E x4</b></p>               | <p><b>F x4</b></p>                  |   |
| <p><b>G x2</b></p>                                   | <p><b>H x1</b></p>               | <p><b>I x1</b></p>  <p>LED TAPE</p> | <p><b>J x12</b></p>  |

## Installation & Assembly



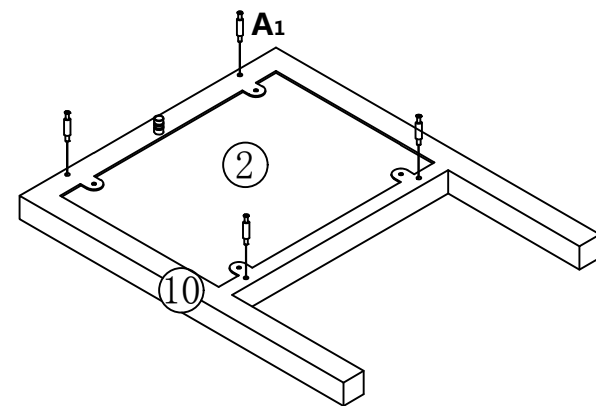
**1** x2

|   |   |    |
|---|---|----|
| C |  | x8 |
| G |  | x2 |



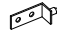


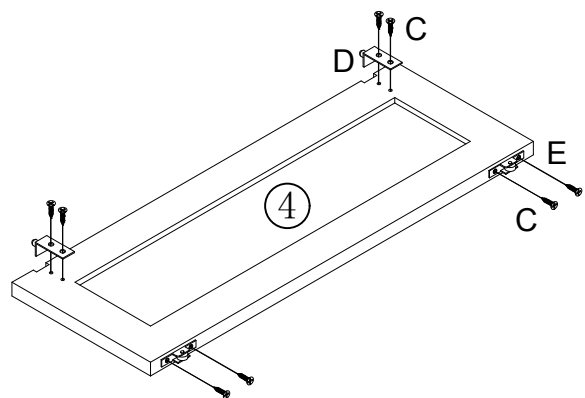
**2** x2

|    |   |    |
|----|---|----|
| A1 |  | x8 |
|----|---|----|





**3** x2

|   |   |    |   |   |     |
|---|---|----|---|---|-----|
| E |  | x4 | B |  | x16 |
| D |  | x4 |   |   |     |



**4**

|    |   |    |
|----|---|----|
| A1 |  | x8 |
| B  |  | x2 |

