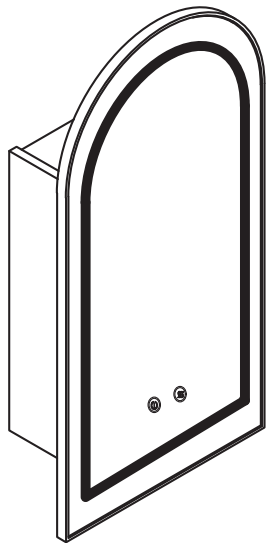
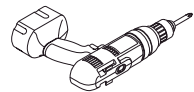


## Installation Instructions for Mirror Cabinet

**⚠** Note: To ensure general use of this product please follow the installation instructions carefully. Must be installed indoors and on a suitable load bearing wall. Installation should be done by a licensed contractor and/or electrician. Only clean soft cloth should be used to clean this product.



### Installation Tools Needed



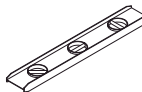
Electrical Drill



Phillips  
Screwdriver



Tape Measure



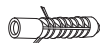
Level



Pencil

### Accessories

**A**



×4

**B**



×4

**C**



×4

**D**



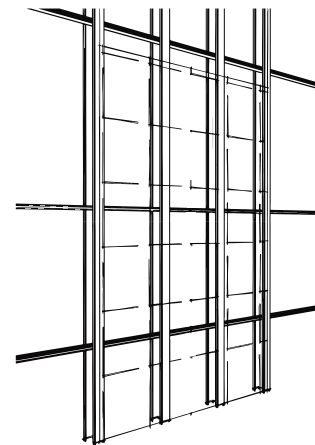
×4

**E**

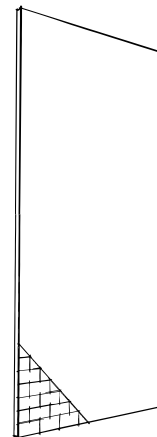


×4

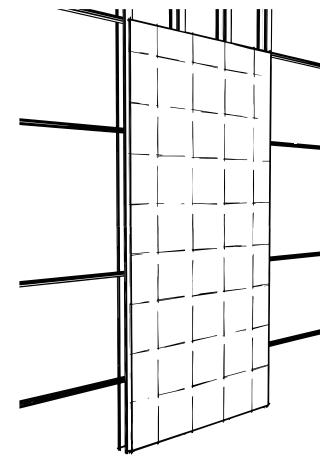
## Suitable for Various Types of Walls



Studs



Concrete

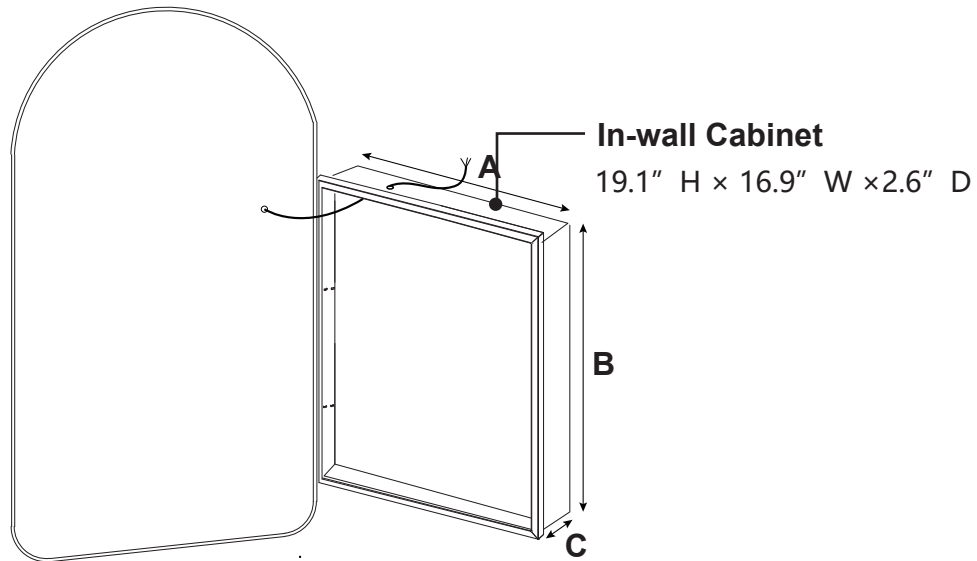


Drywall

# Type 1--Built-in Wall

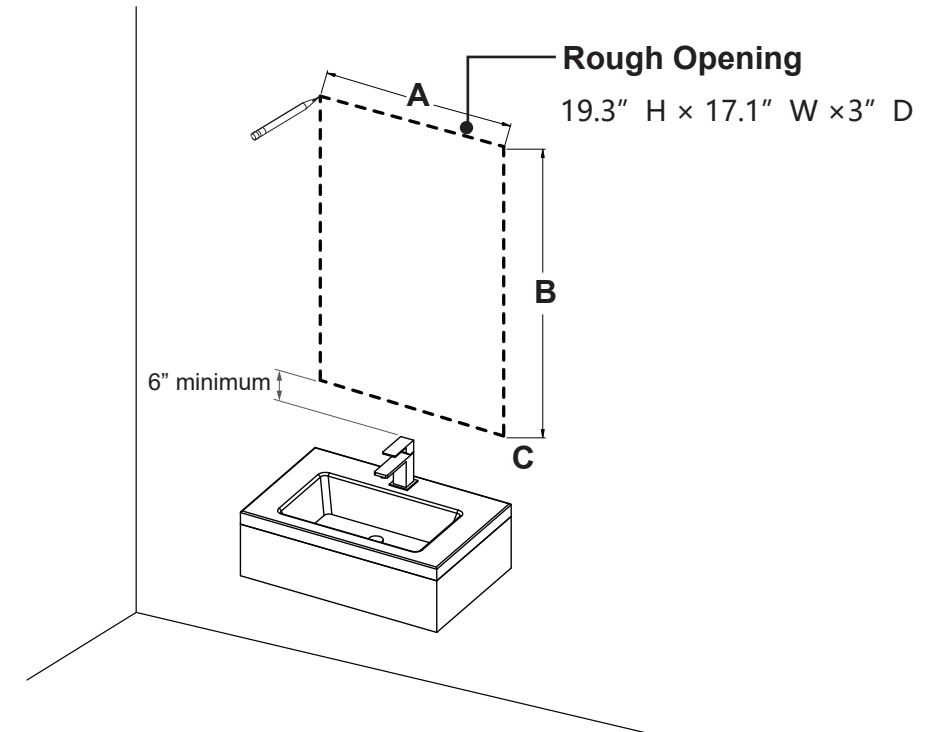
## Step1

Please measure the dimensions marked in the following figure.



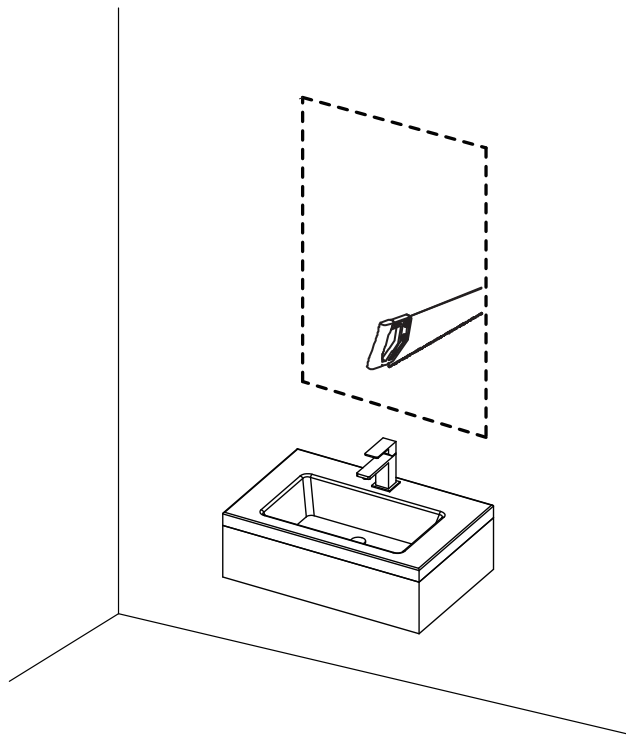
## Step2

Draw the perimeter of the cabinet on the wall.



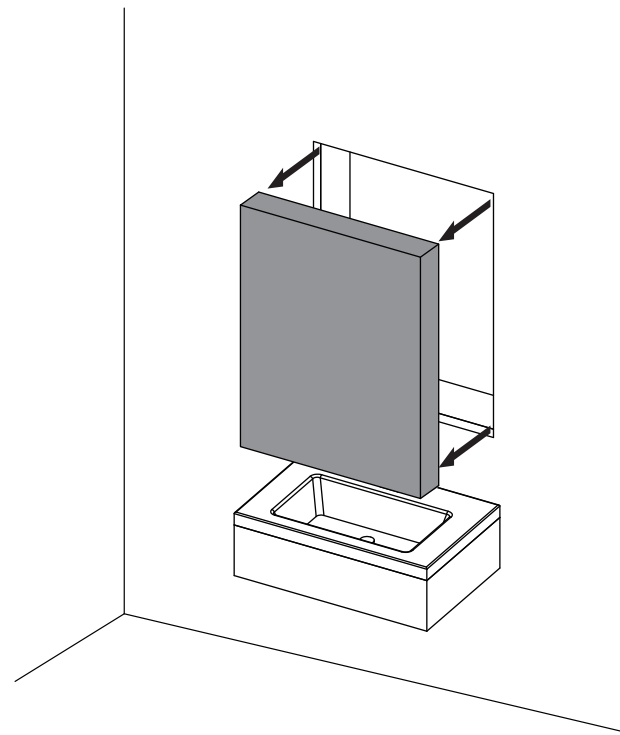
### | Step3

Dig out the mounting holes for installation of the mirror cabinet.



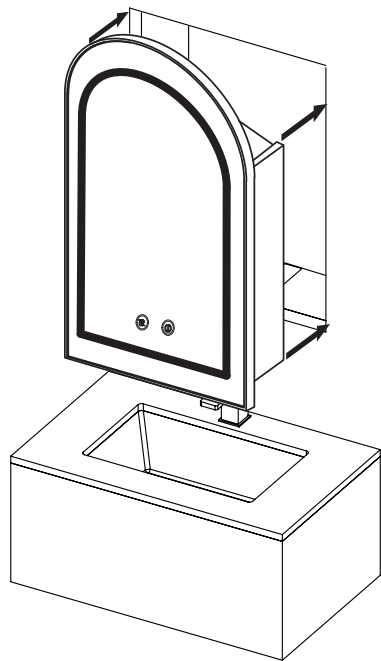
### | Step4

Cut the marked dimension with suitable tool.



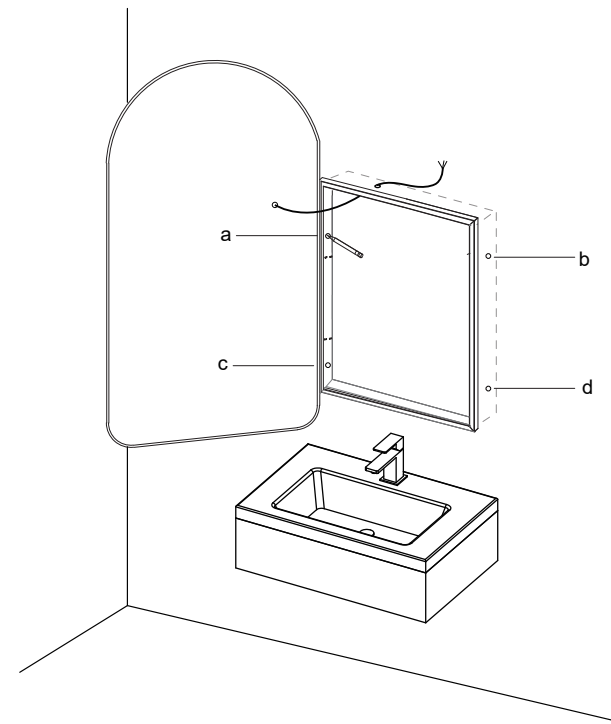
## | Step5

Position cabinet in cut out opening.



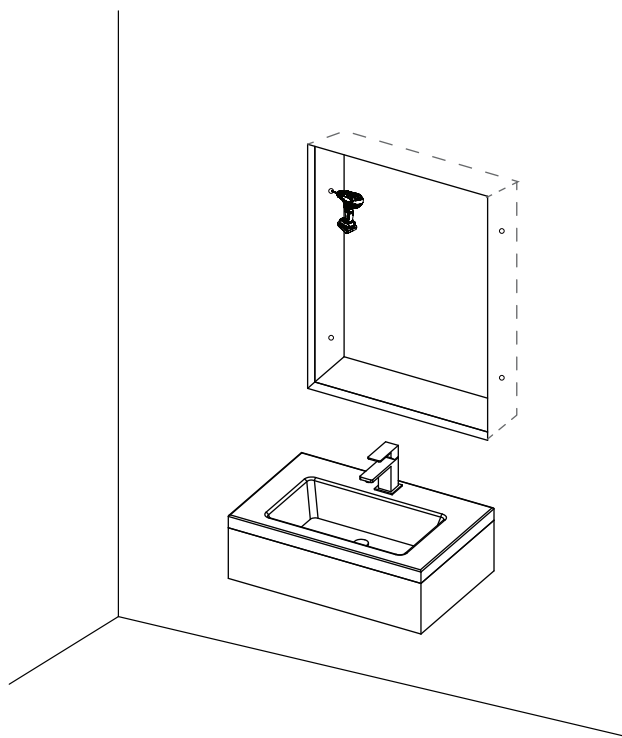
## | Step6

Raise the cabinet, mark the a/b/c/d mounting holes on the wall.



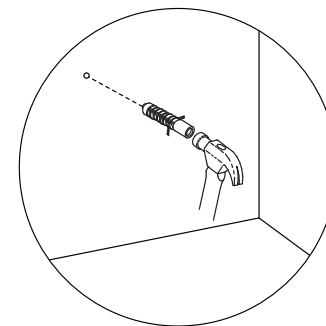
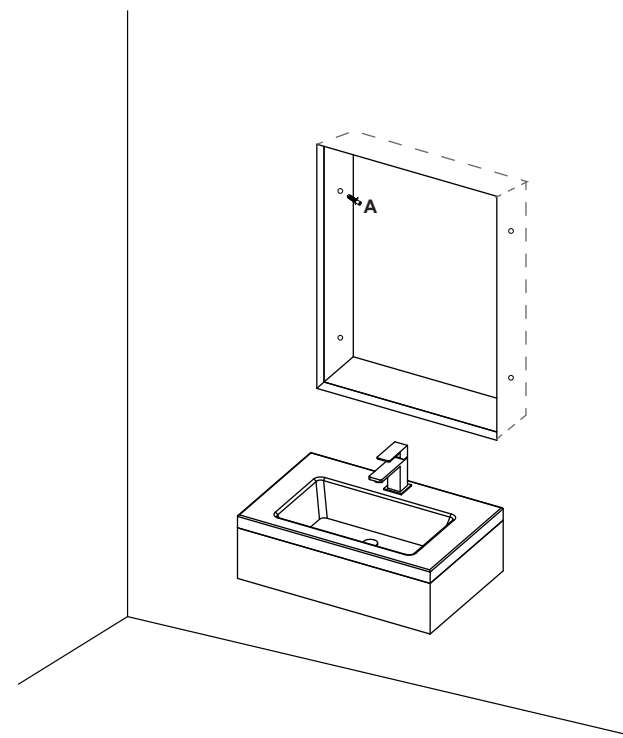
## | Step7

Drill holes in marked places.



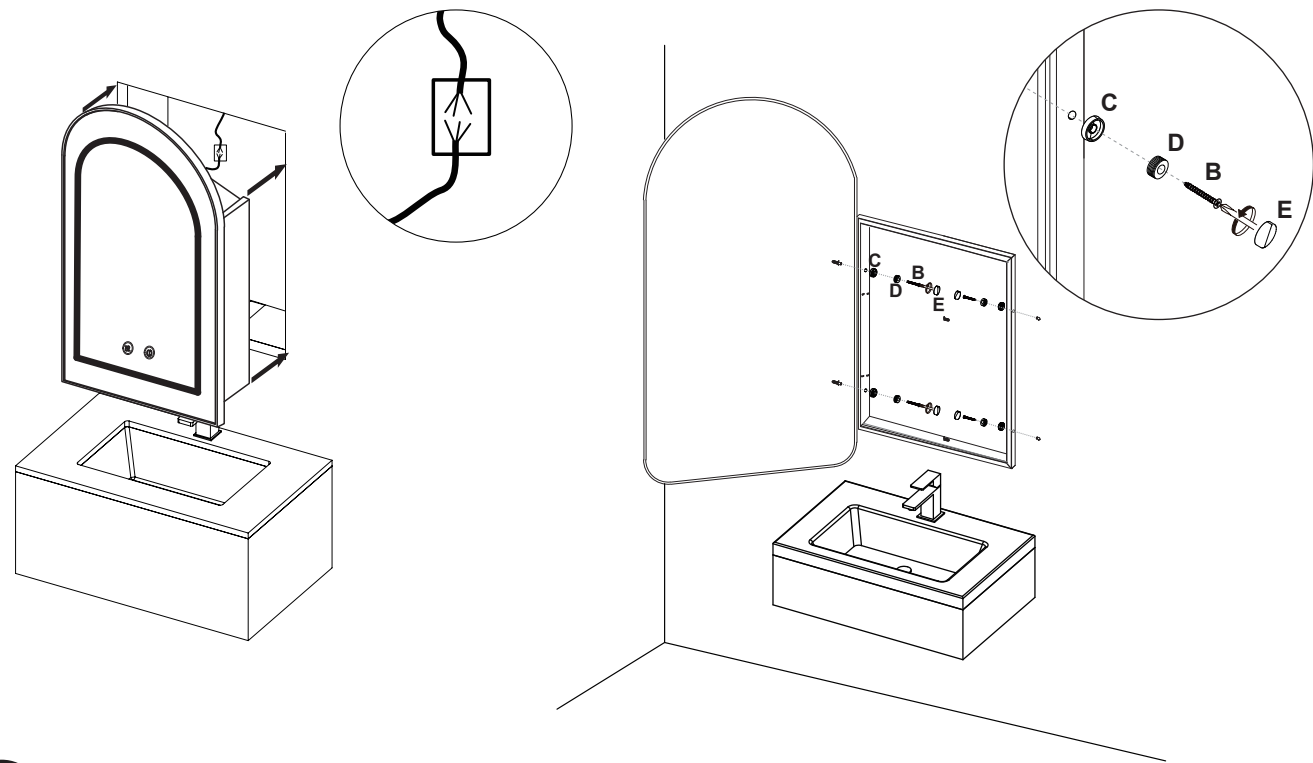
## | Step8

Hammer the "A" into the drilled hole.



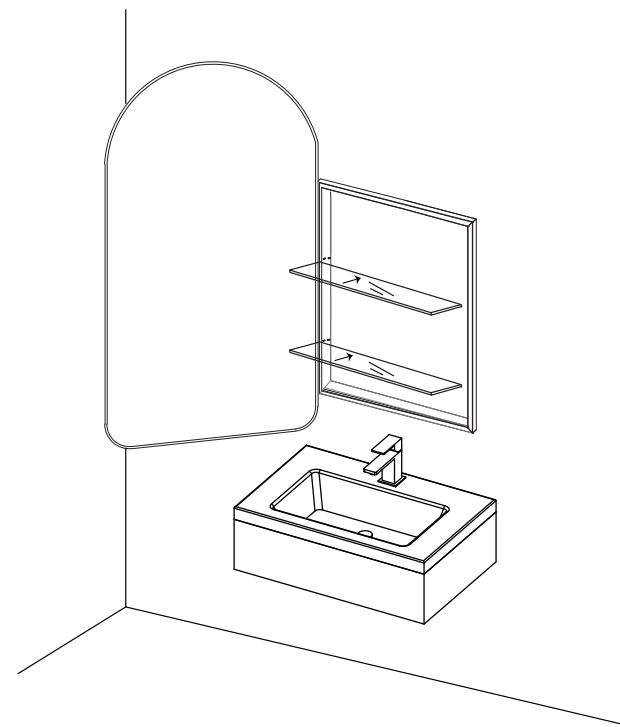
## | Step9

Hold the mirror cabinet and install mounting hardware "B", "C", "D", and "E" in turn as shown in the illustration.



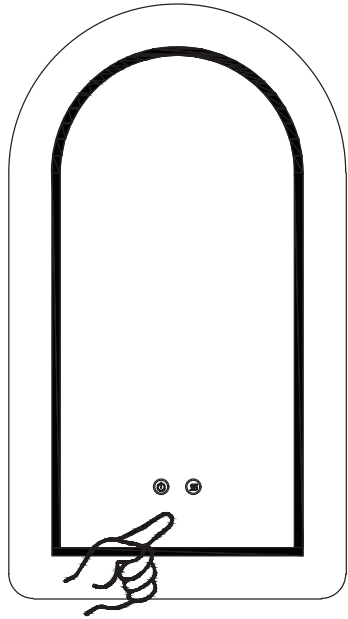
## | Step10

Put the shelves in the cabinet.



## | Step11

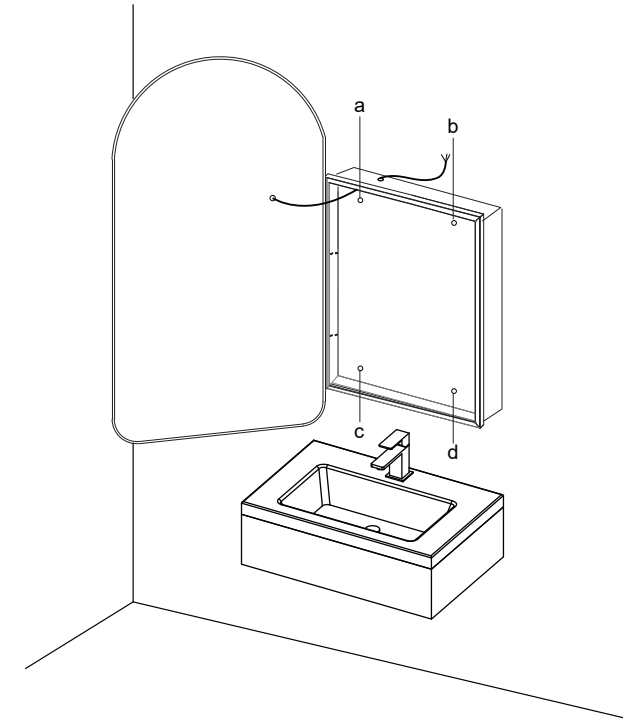
Power-on test. One switch controls the light, the other controls the anti-fog.



## Type 2--Wall Mounting

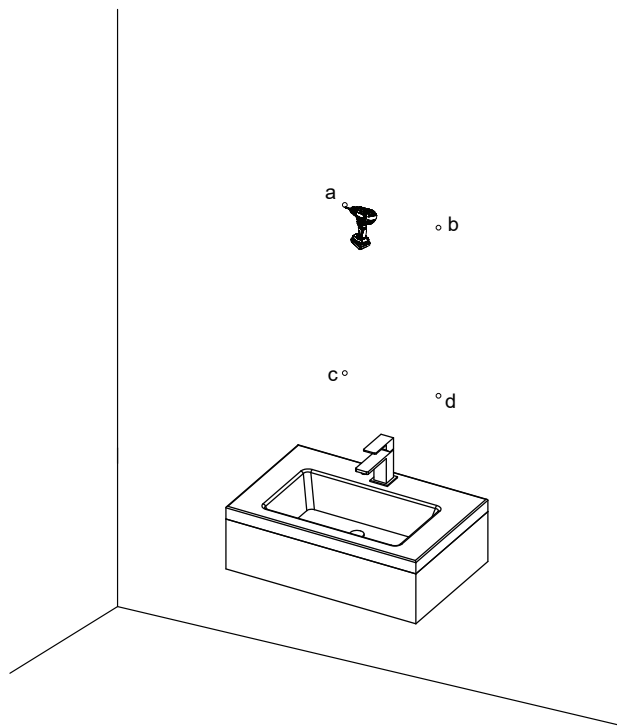
### | Step1

Raise the cabinet, mark the a/b/c/d/ mounting holes on the wall.



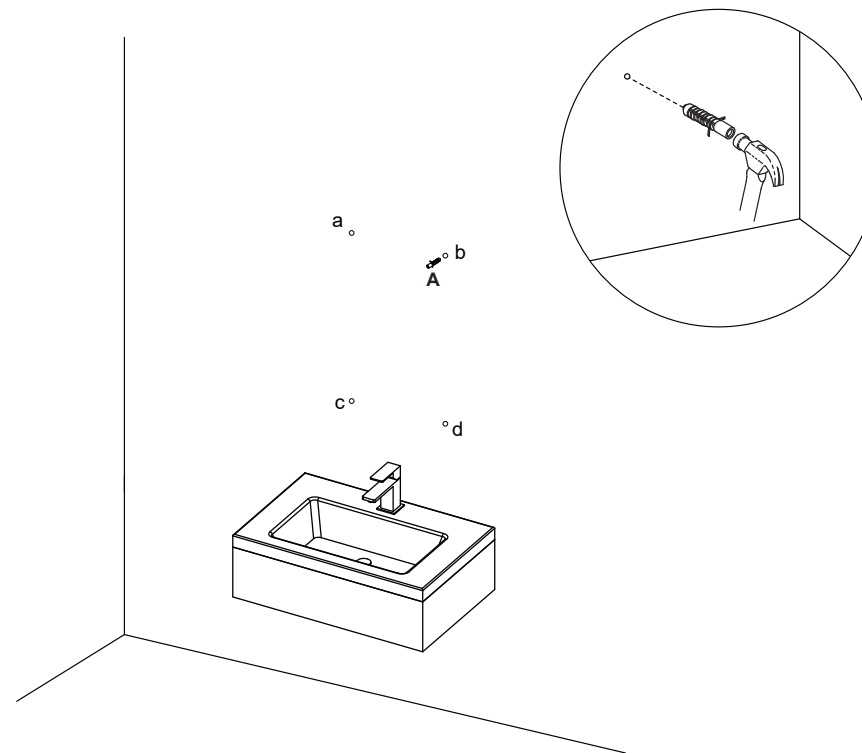
## | Step2

Drill holes in marked places.



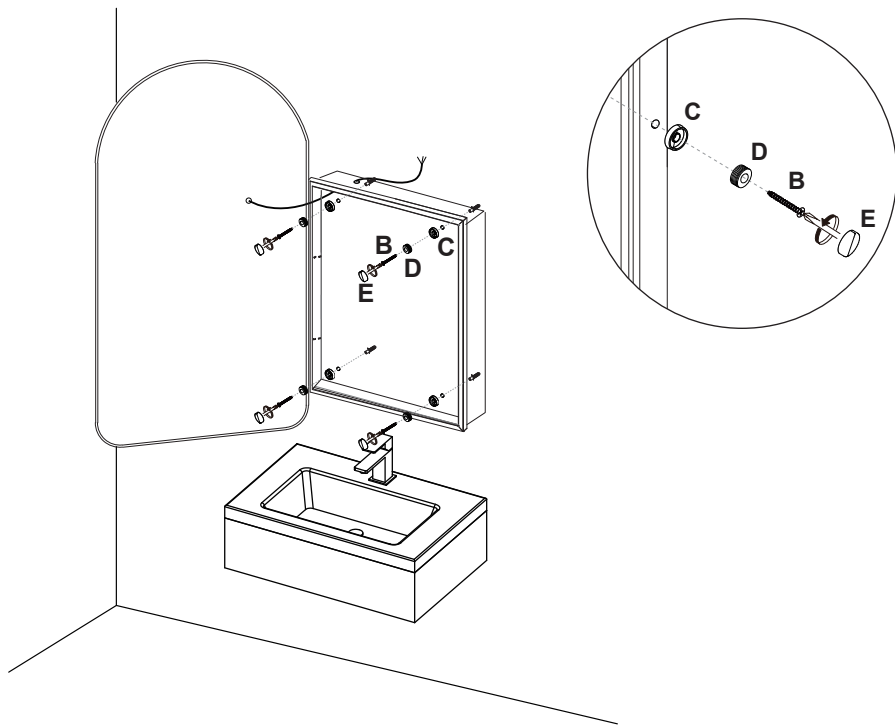
## | Step3

Hammer the "A" into the drilled hole.



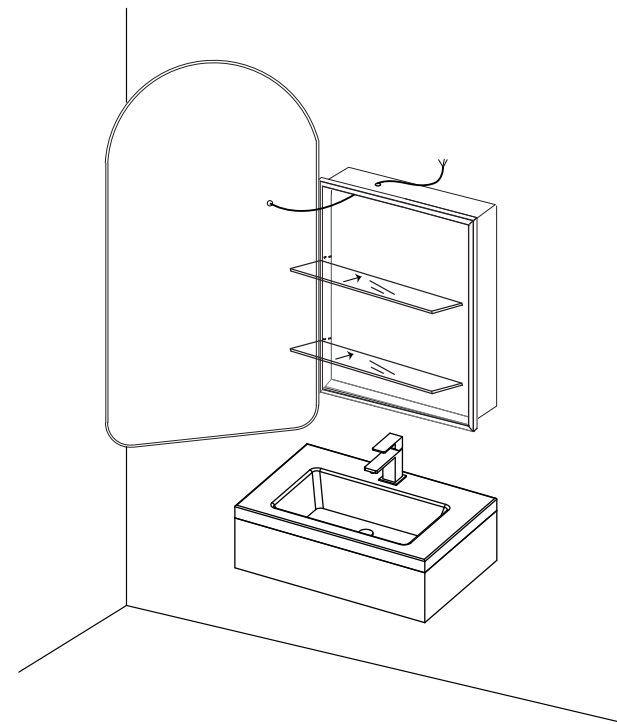
## | Step4

Hold the mirror cabinet and install mounting hardware "B", "C", "D", and "E" in turn as shown in the illustration.



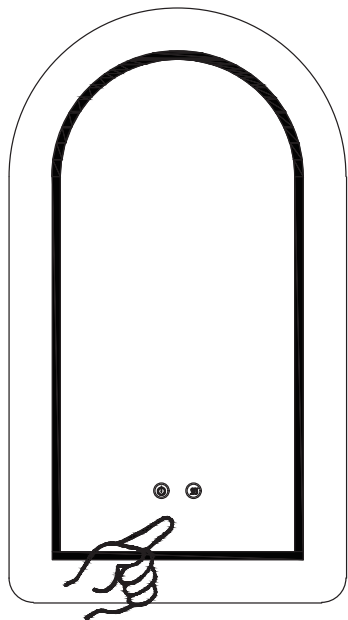
## | Step5

Put the shelves in the cabinet.




## | Step6

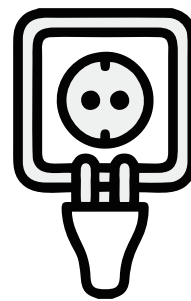
Power-on test. One switch controls the light, the other controls the anti-fog.



## To hide the power cord,you can do so:

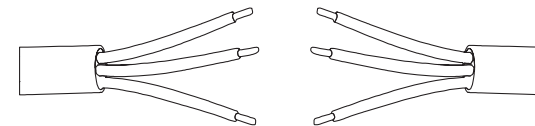
Disconnect the power, then connect the product's wires to the household electrical circuit while ensuring safety. Please refer to the figure below for the connection path.

 Power outage!  
Be safe! Please operate under power failure.

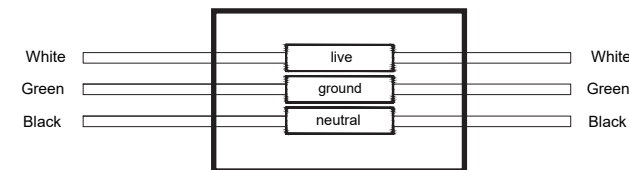


Insert the plug of the mirror into the socket

OR



Wiring diagram for input terminal



MAIN SUPPLY