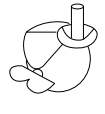
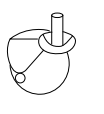
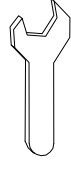
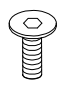
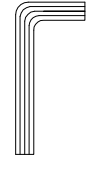
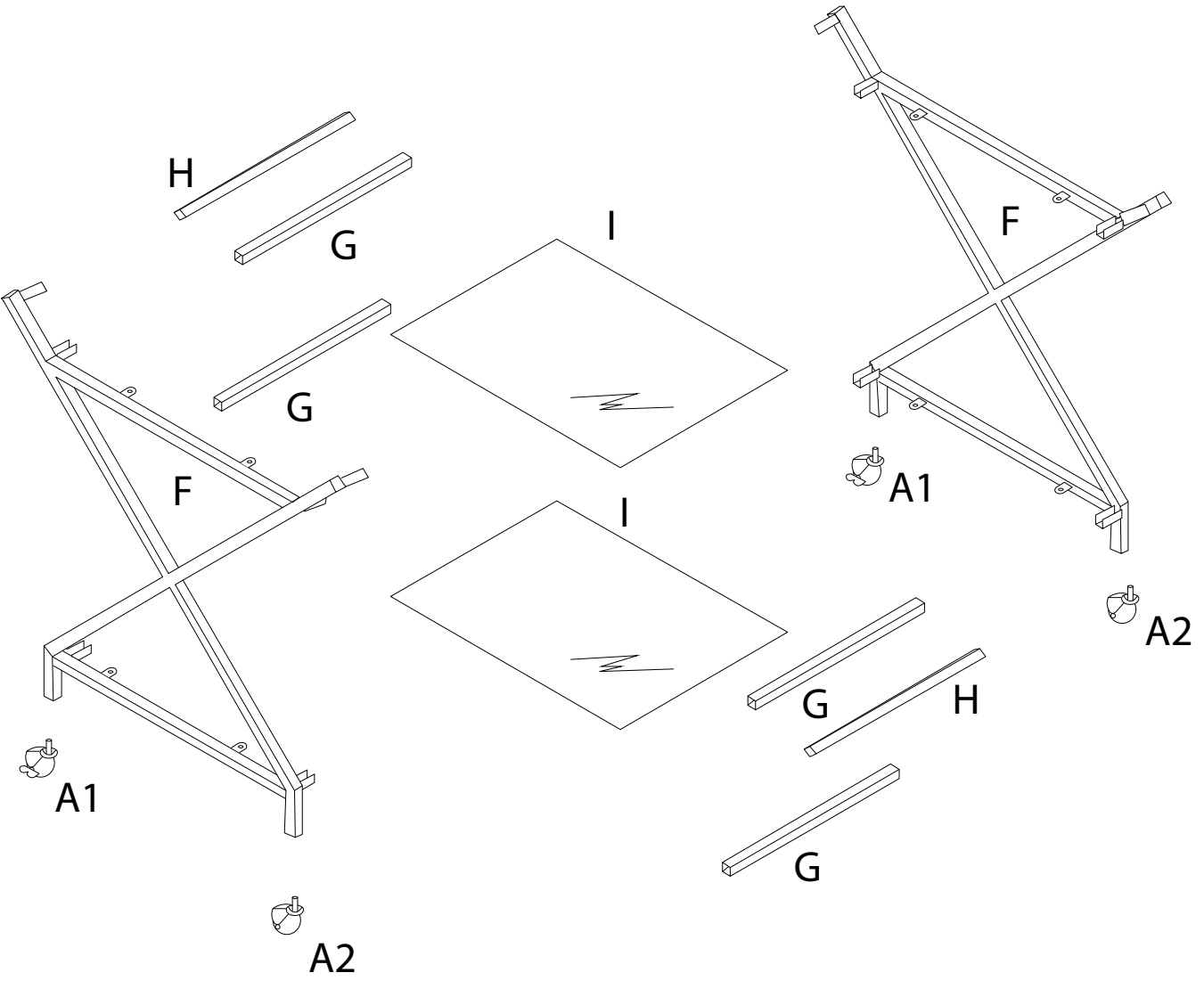

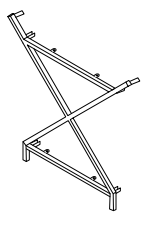
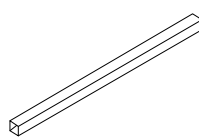
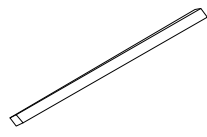
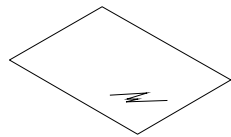


30'

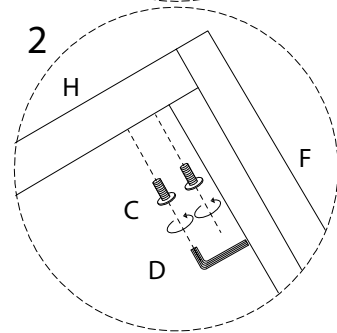
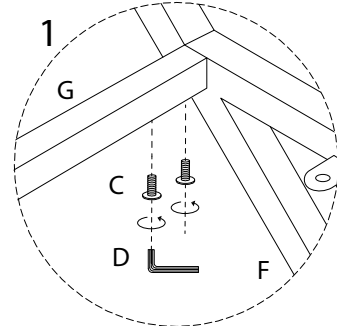
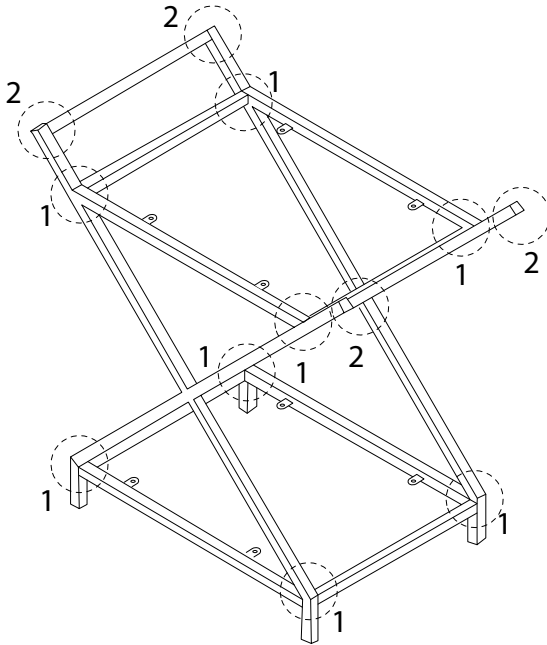
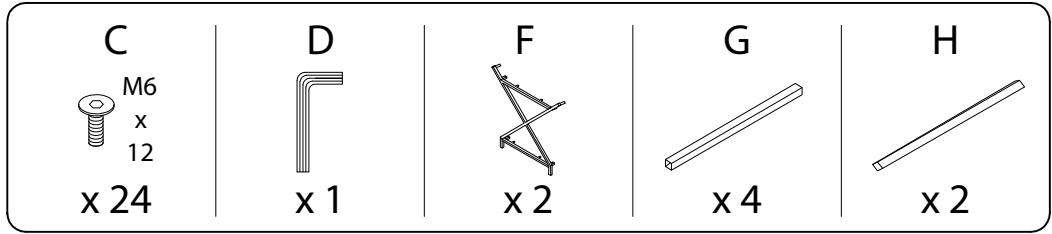
1

<p>A1</p>  <p>x 2</p>	<p>A2</p>  <p>x 2</p>	<p>B</p>  <p>x 1</p>	<p>C</p>  <p>M6 x 12</p> <p>x 24</p>	<p>D</p>  <p>x 1</p>
--	--	---	--	---

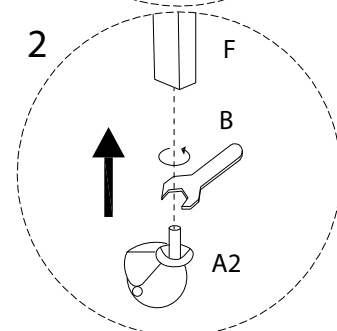
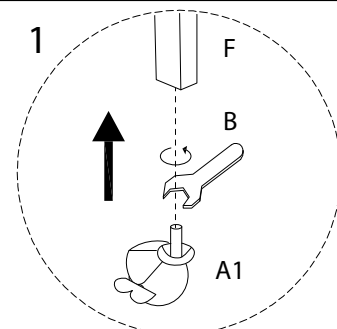
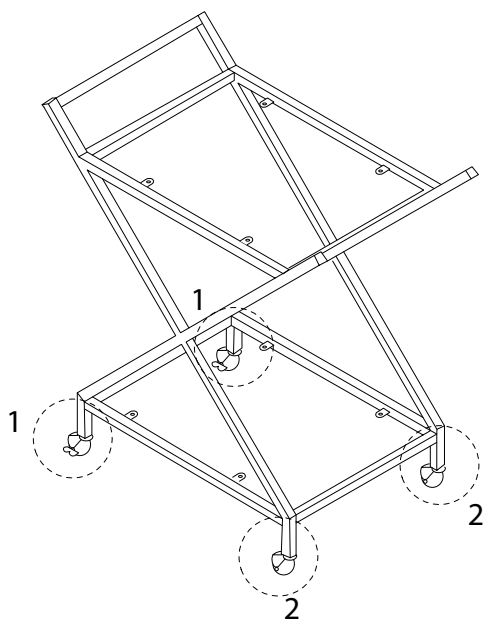
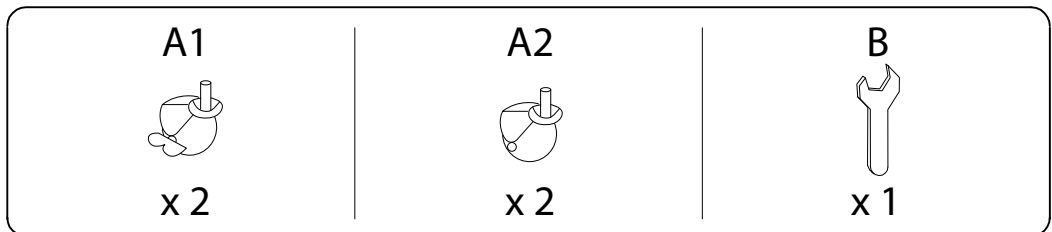


<p>E</p>  <p>x 8</p>	<p>F</p>  <p>x 2</p>	<p>G</p>  <p>x 4</p>	<p>H</p>  <p>x 2</p>	<p>I</p>  <p>x 2</p>
---	---	---	--	---

1



2

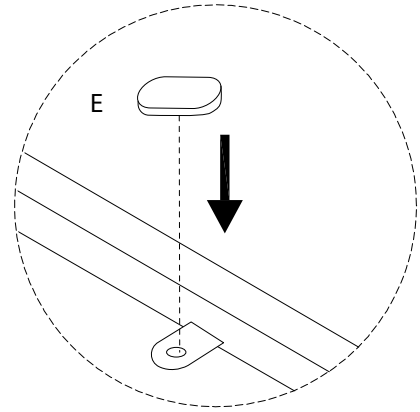
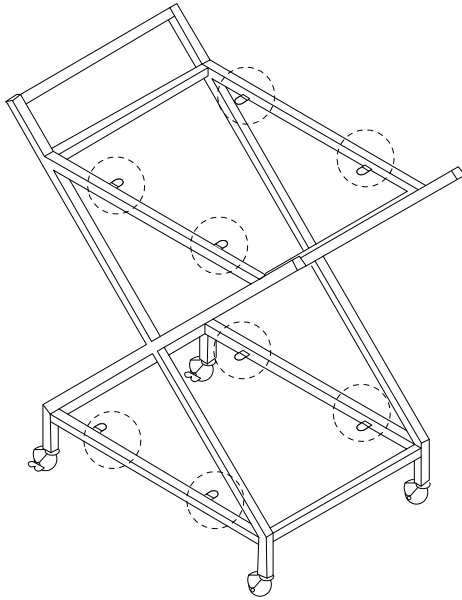


3

E

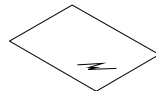


x 8



4

I



x 2

