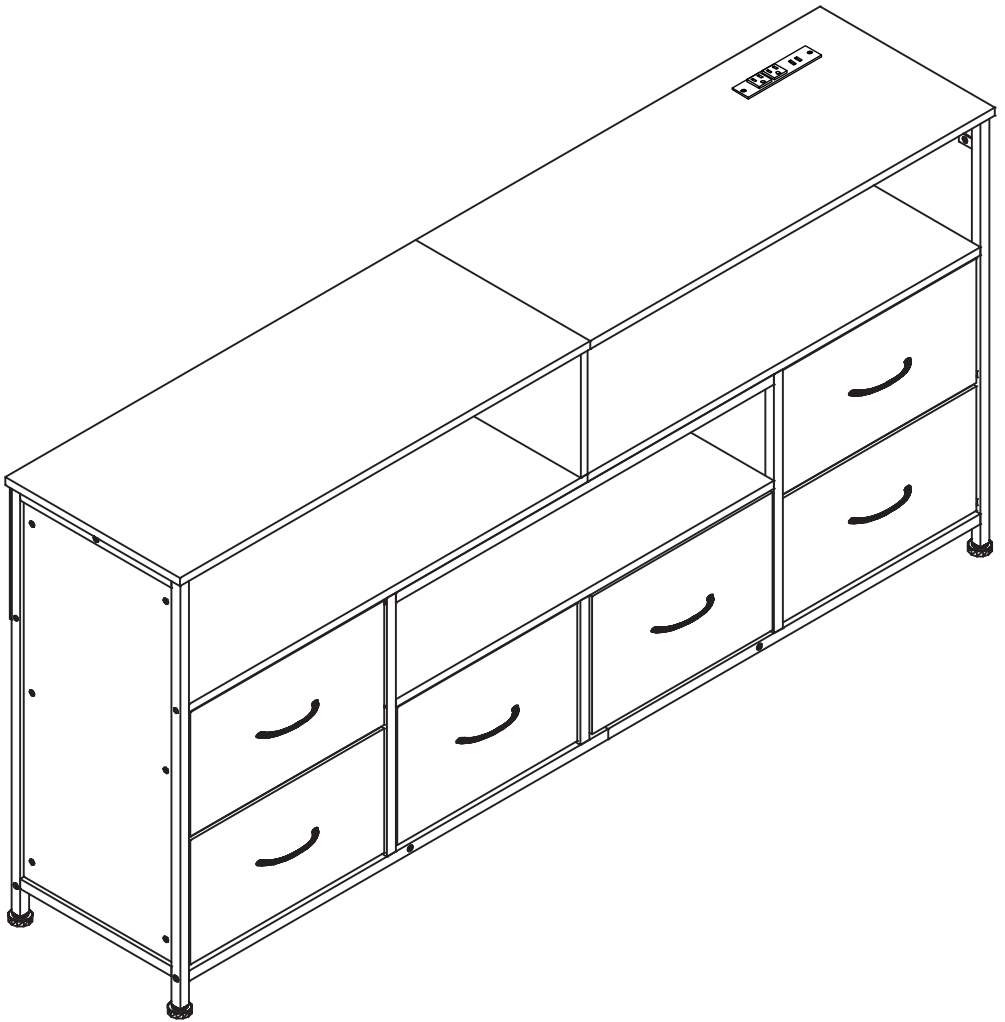


SKU:HK-TS-012-CL



C1-20250816

TV Stand with Power Outlets and 6 Drawers User Manual

Before Assembly

Please read the USER MANUAL thoroughly for quick assembly, and check according to Accessories.



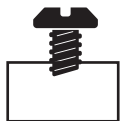
Laying Protection:

To protect the product and your flooring during installation, please lay protection before installation



No Electric Drill:

For longer use, please use the installation tools supplied with the product.



80% fixing screws:

For easy installation, fix the screws up to 80% first, and fasten the screws completely after completing the installation.



Missing Parts or Broken:

Please feel free to contact us via Amazon Orders or Customer Support Email. We promise to ship the missing or replacement parts to you free of charge.

Any questions?

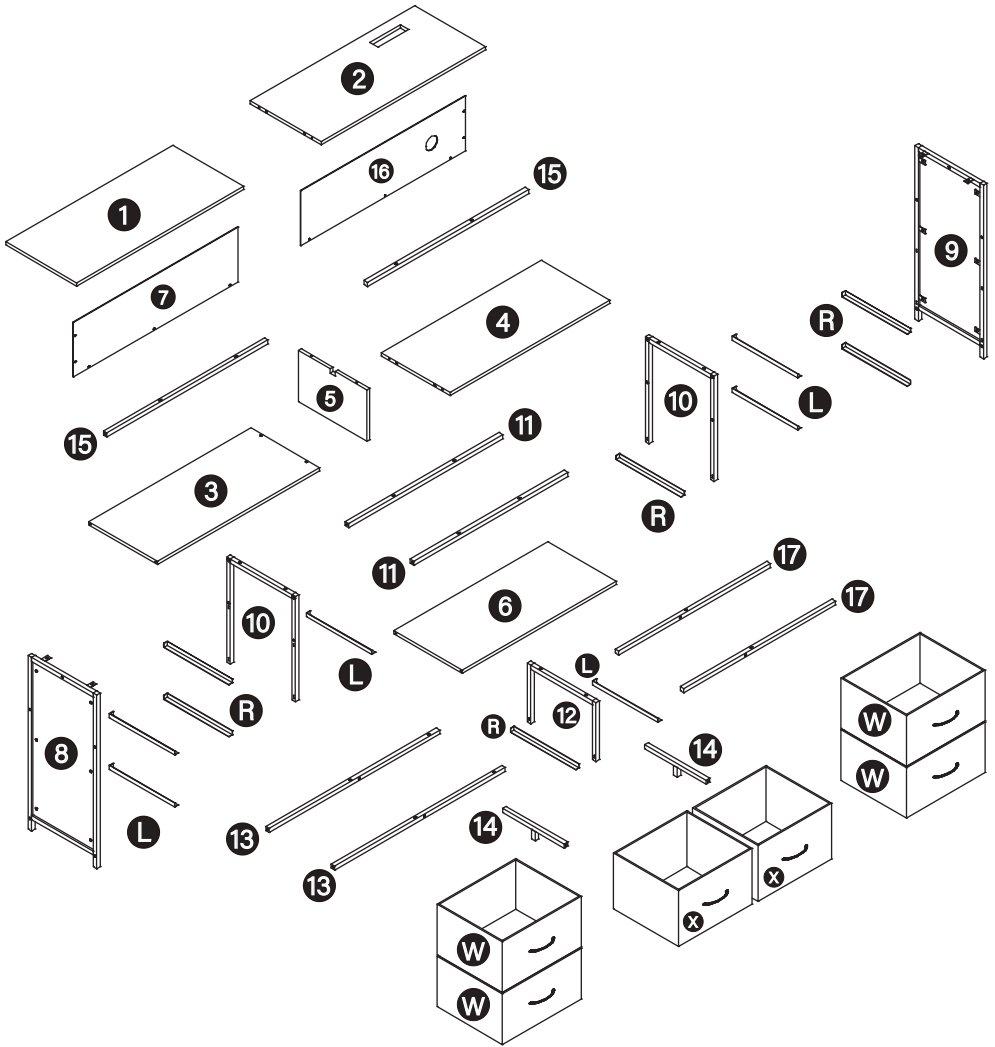
Please do not hesitate to contact us!













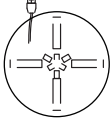
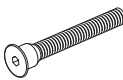
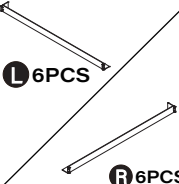
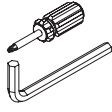



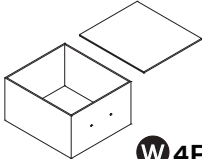
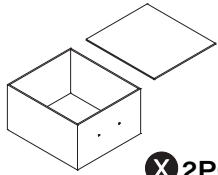
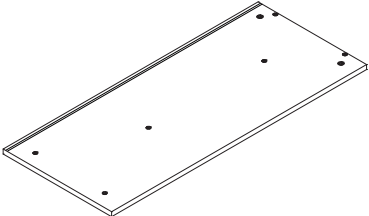
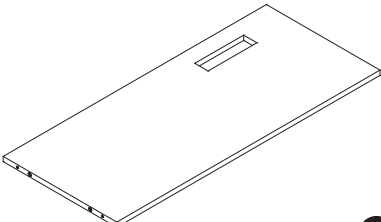
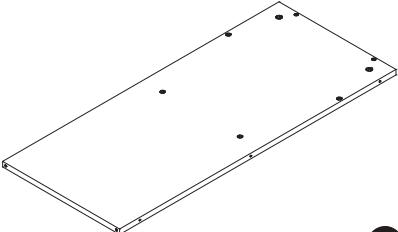
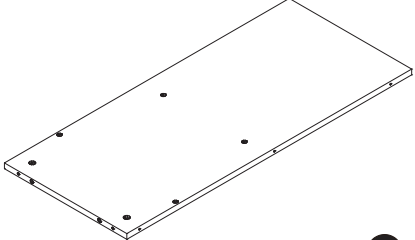
Support@furologee.com



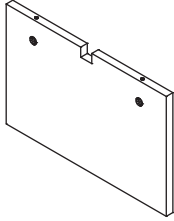
Disassembly Diagram



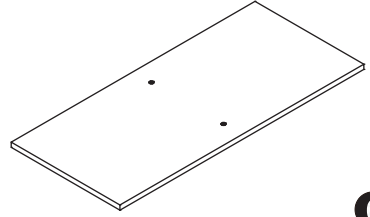
Accessories

<p>M6*23</p>  <p>A 36PCS</p>	<p>M6</p>  <p>B 6PCS</p>	<p>M6*10</p>  <p>C 11PCS</p>	<p>M4*12</p>  <p>D 14PCS</p>	<p>M8*40</p>  <p>E 5PCS</p>
 <p>F 3PCS</p>	 <p>G 1PC</p>	<p>M4*12</p>  <p>H 14PCS</p>	 <p>I 6PCS</p>	 <p>J 1PC</p>
<p>LED</p>  <p>K 1PC</p>	 <p>Q 11PCS</p>	 <p>L 6PCS R 6PCS</p>	 <p>M 1PC</p>	 <p>N 3PCS</p>
 <p>O 4PCS</p>	 <p>P 11PCS</p>	 <p>W 4PCS</p>	 <p>X 2PCS</p>	
 <p>1 1PC</p>		 <p>2 1PC</p>		
 <p>3 1PC</p>		 <p>4 1PC</p>		

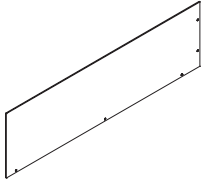
Accessories



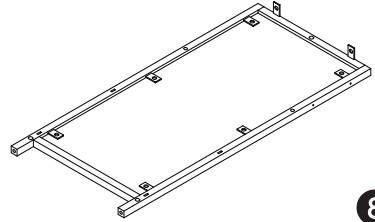
5 1PC



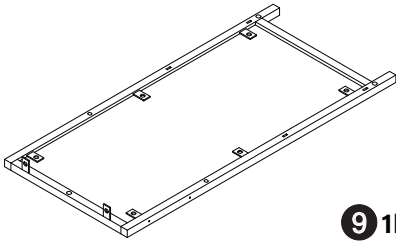
6 1PC



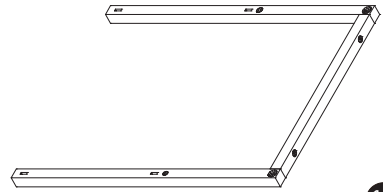
7 1PC



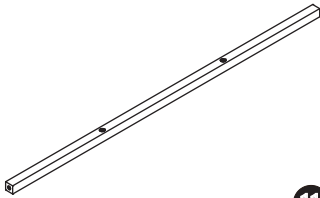
8 1PC



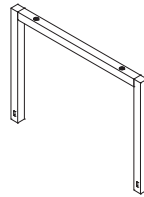
9 1PC



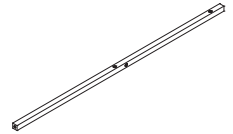
10 2PCS



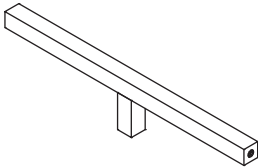
11 2PCS



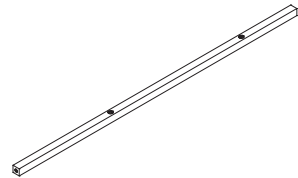
12 1PC



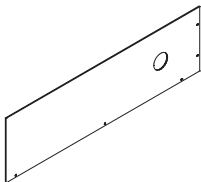
13 2PCS



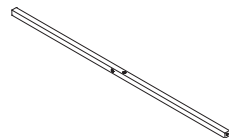
14 2PCS



15 2PCS

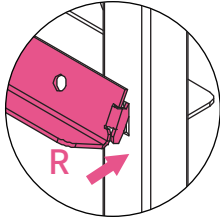


16 1PC

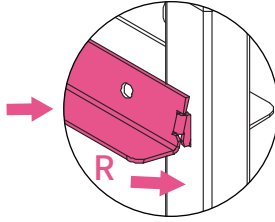


17 2PCS

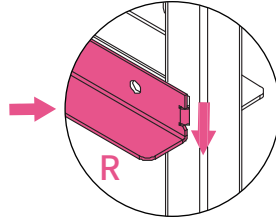
Step1: Insert both ends of the part **R** into the slots on the frame **9**, **10**, **12**.



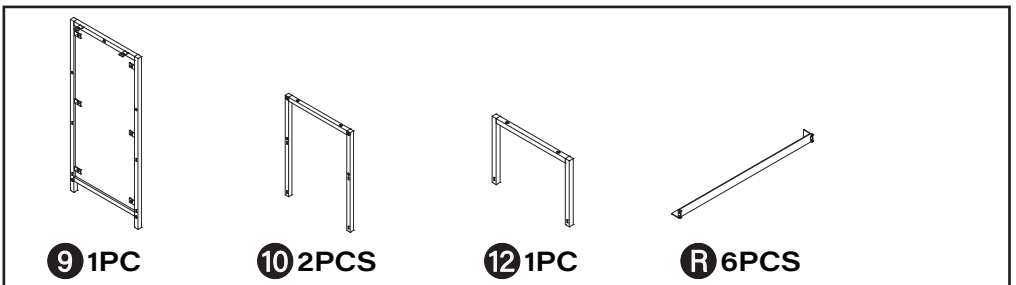
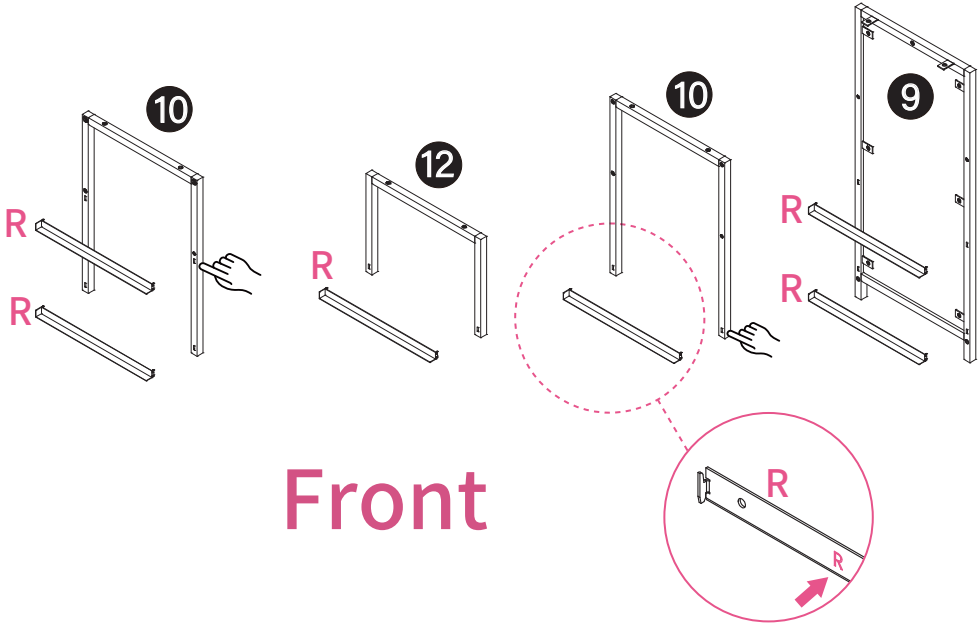
1. Insert the guide rail diagonally at a 45° angle into the square hole simultaneously from



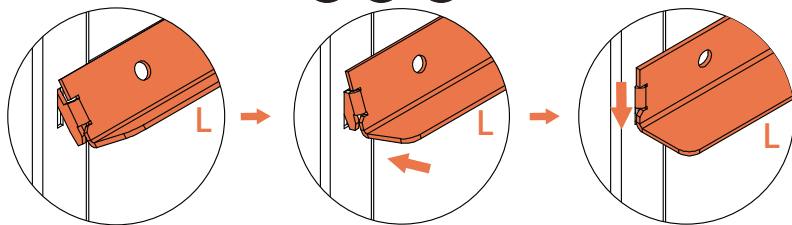
2. Lift the lower corner of the guide rail and insert it into the square hole.



3. Align the guide rail with the steel pipe and press it down into place.



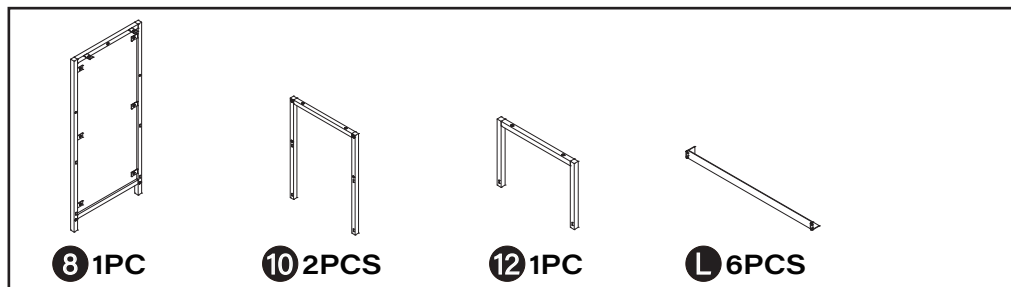
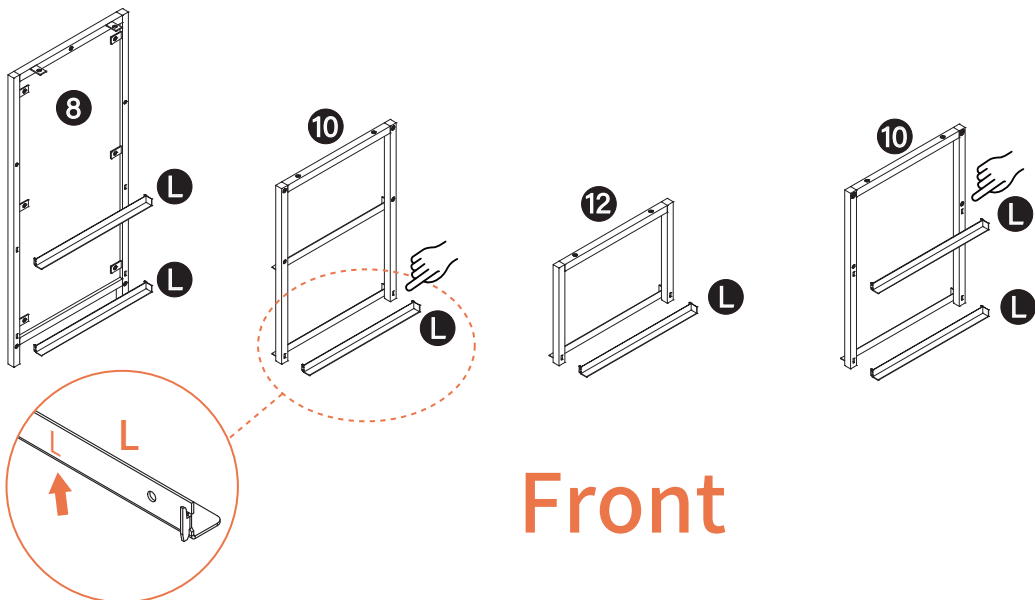
Step2: Insert both ends of the part **L** into the slots on the frame **8**, **10**, **12**.



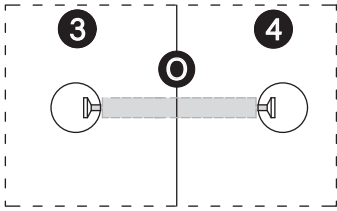
1. Insert the guide rail diagonally at a 45° angle into the square hole simultaneously from both front and back.

2. Lift the lower corner of the guide rail and insert it into the square hole.

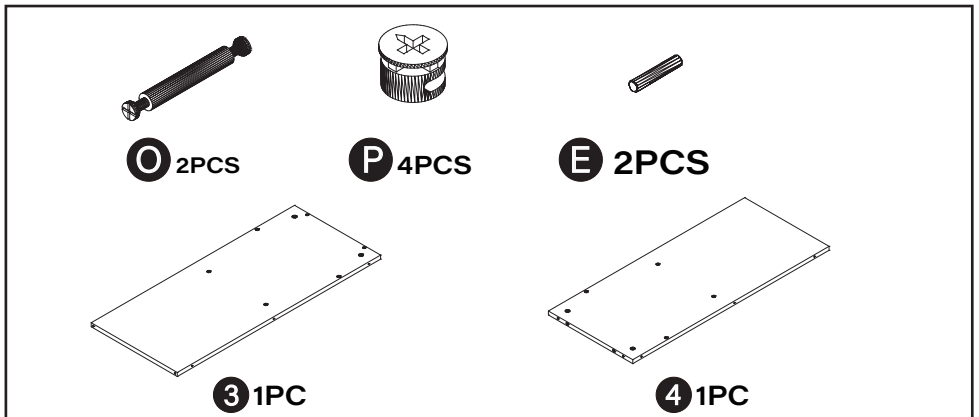
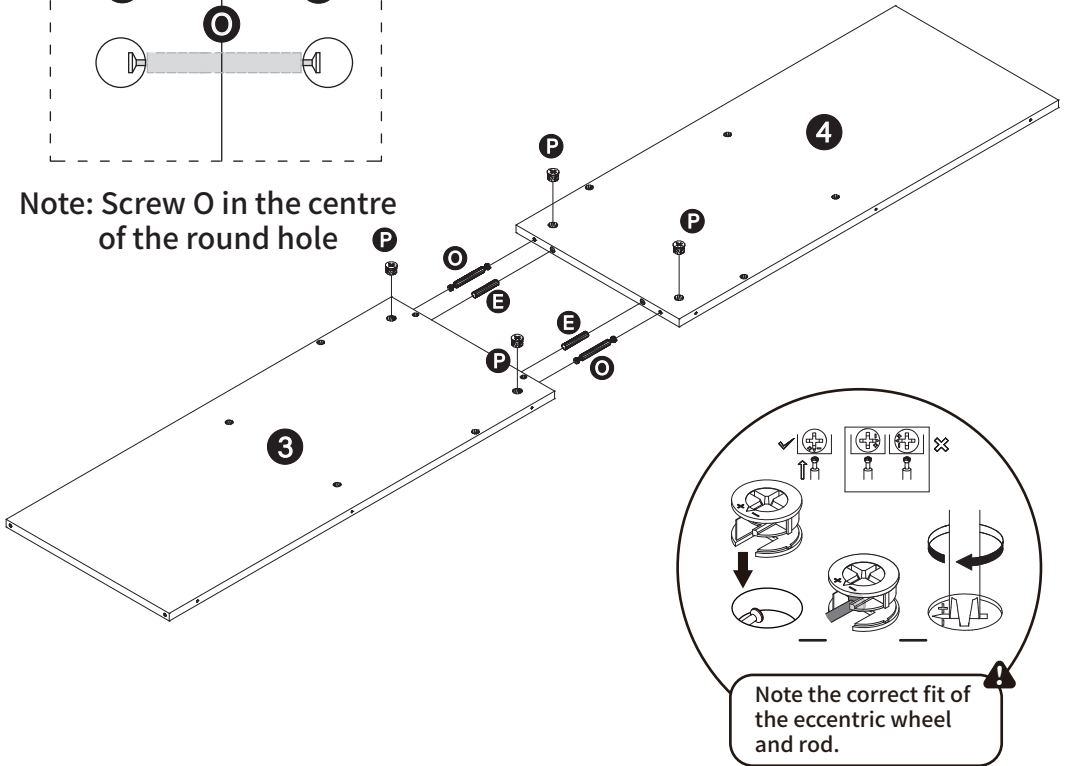
3. Align the guide rail with the steel pipe and press it down into place.



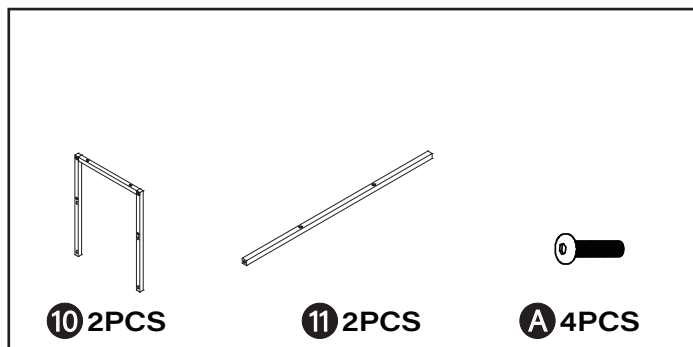
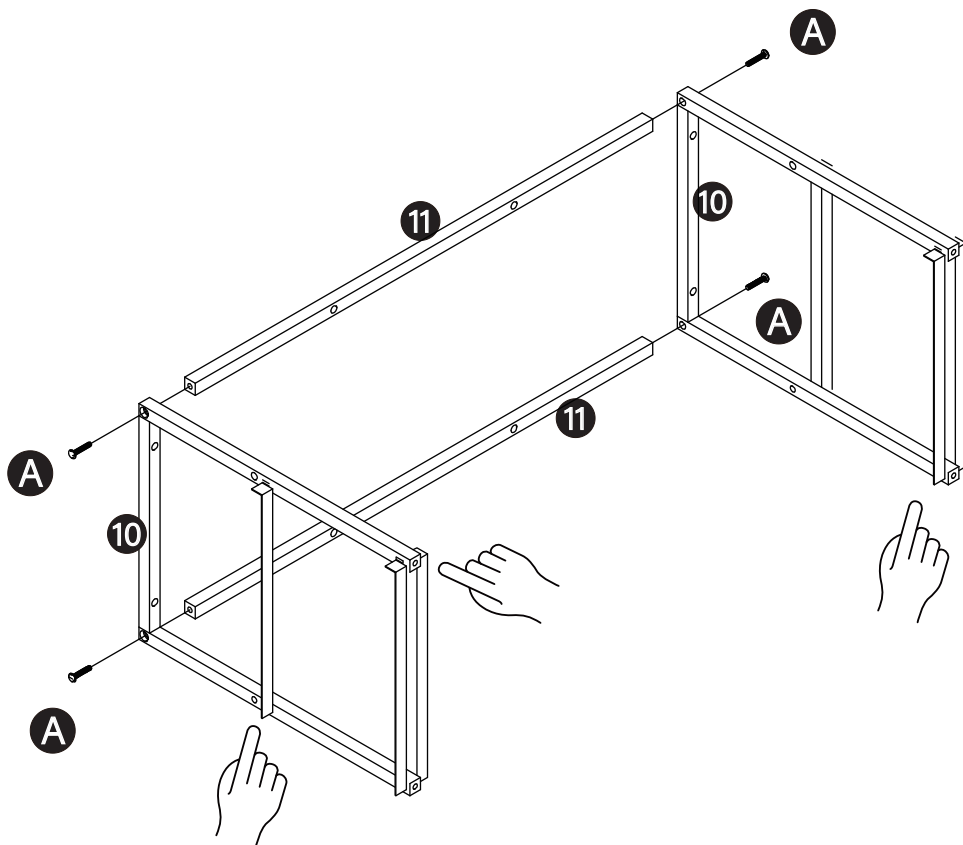
Step3: Insert the wooden pins **E** and screws **O** into the board **3** & **4**.
 Fix the screws **P** in board **3** & **4** and tighten its to secure boards.



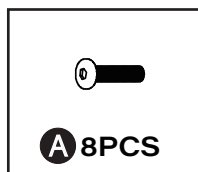
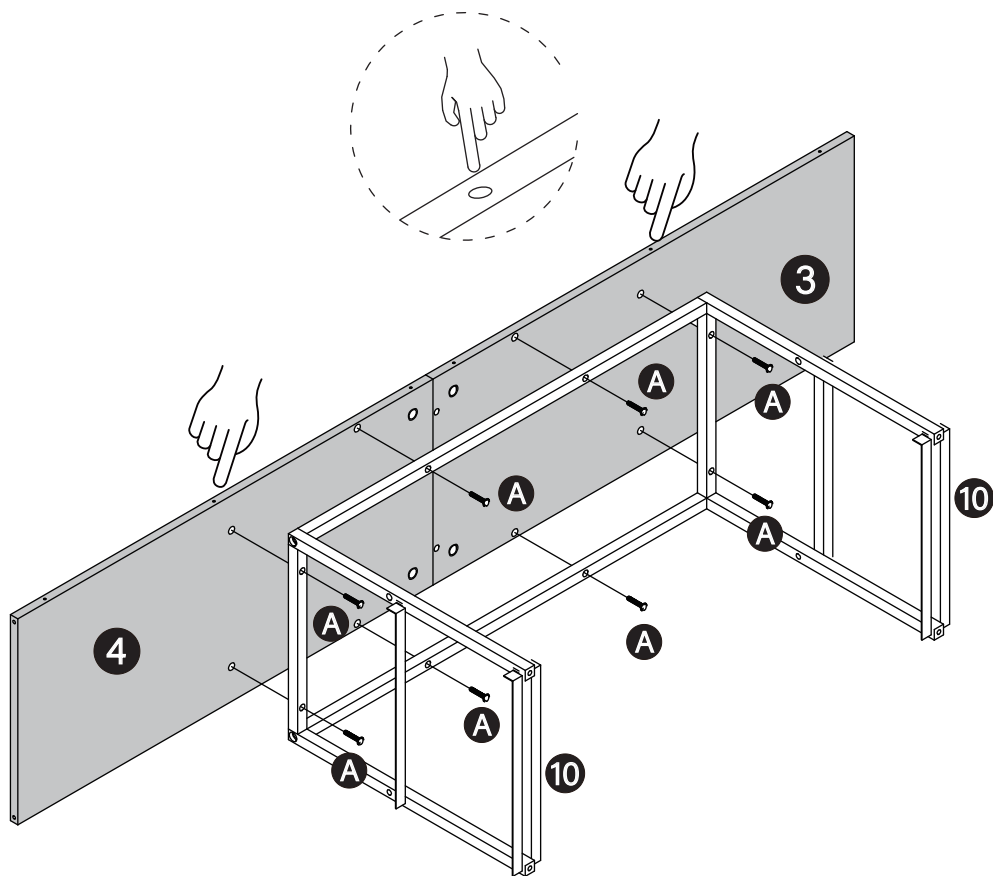
Note: Screw **O** in the centre of the round hole



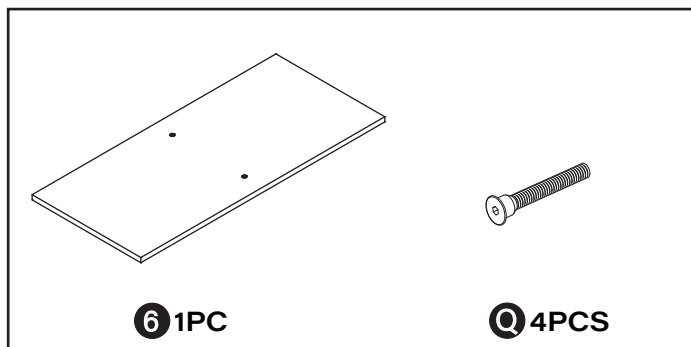
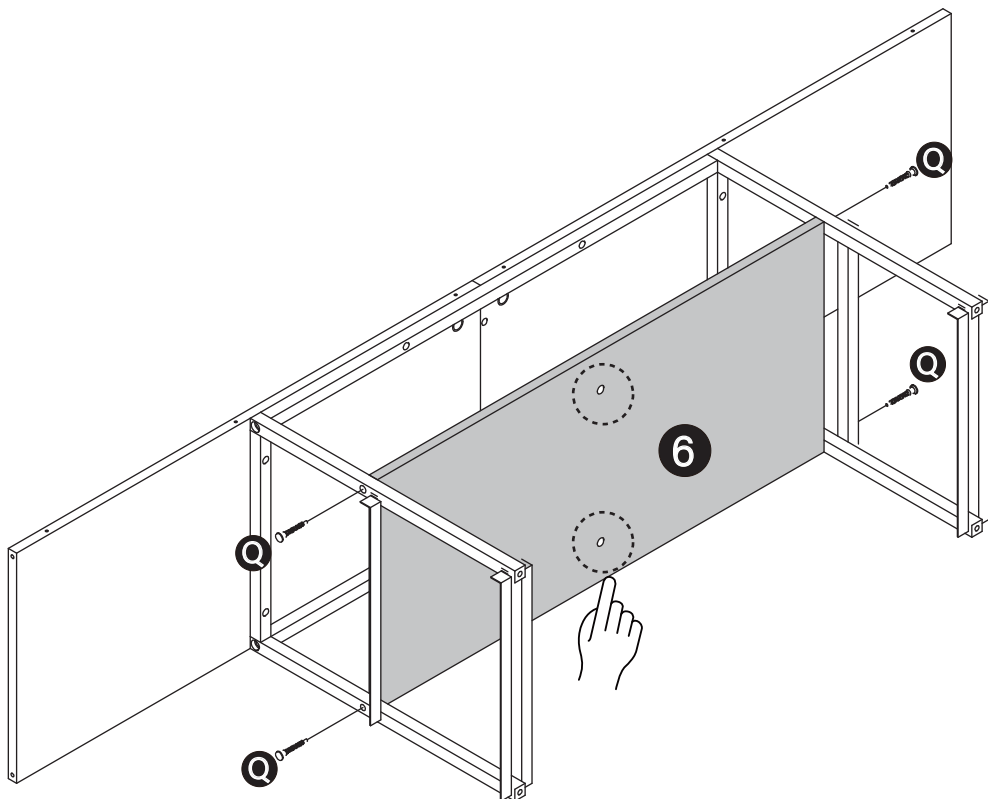
Step4: Assemble the metal bar 11 between the frame 10 with screws A.



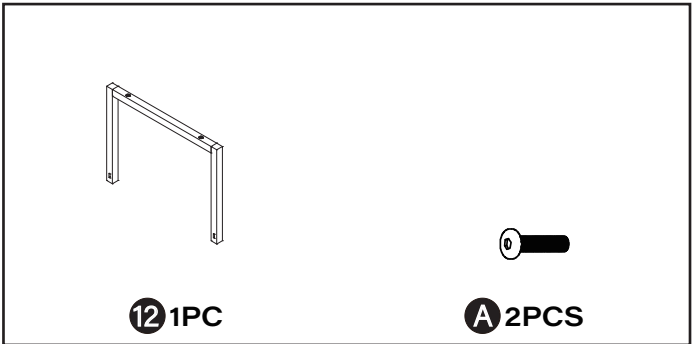
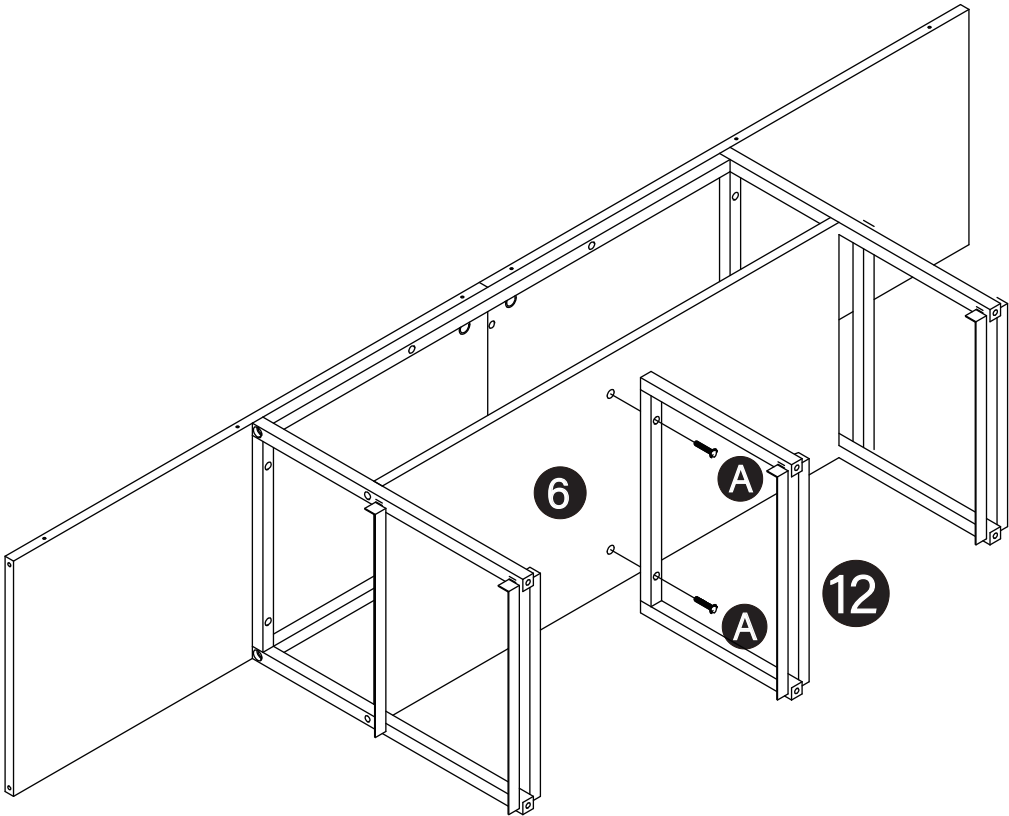
Step5: Fix the frame to the board **3** and **4** with screws **A**.



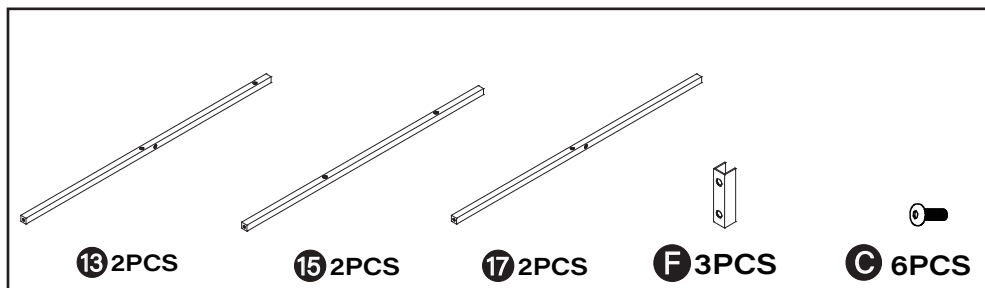
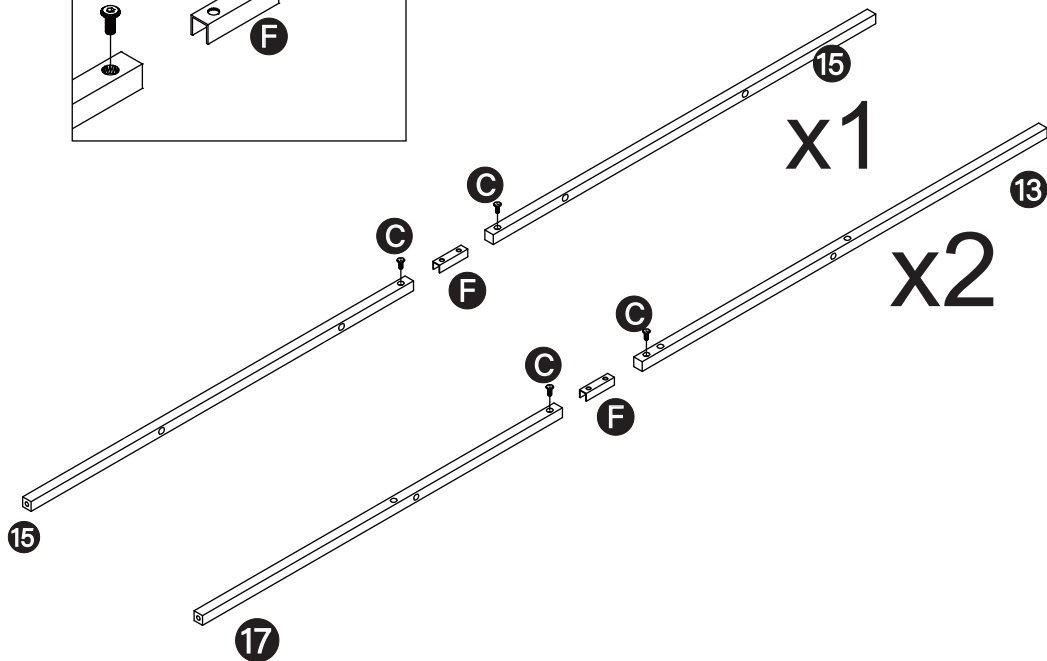
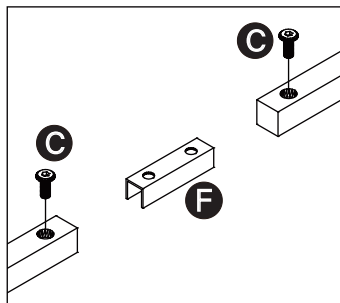
Step6: Fix the board **6** in the frame with screw **Q**.



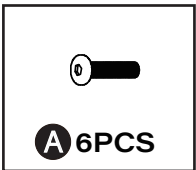
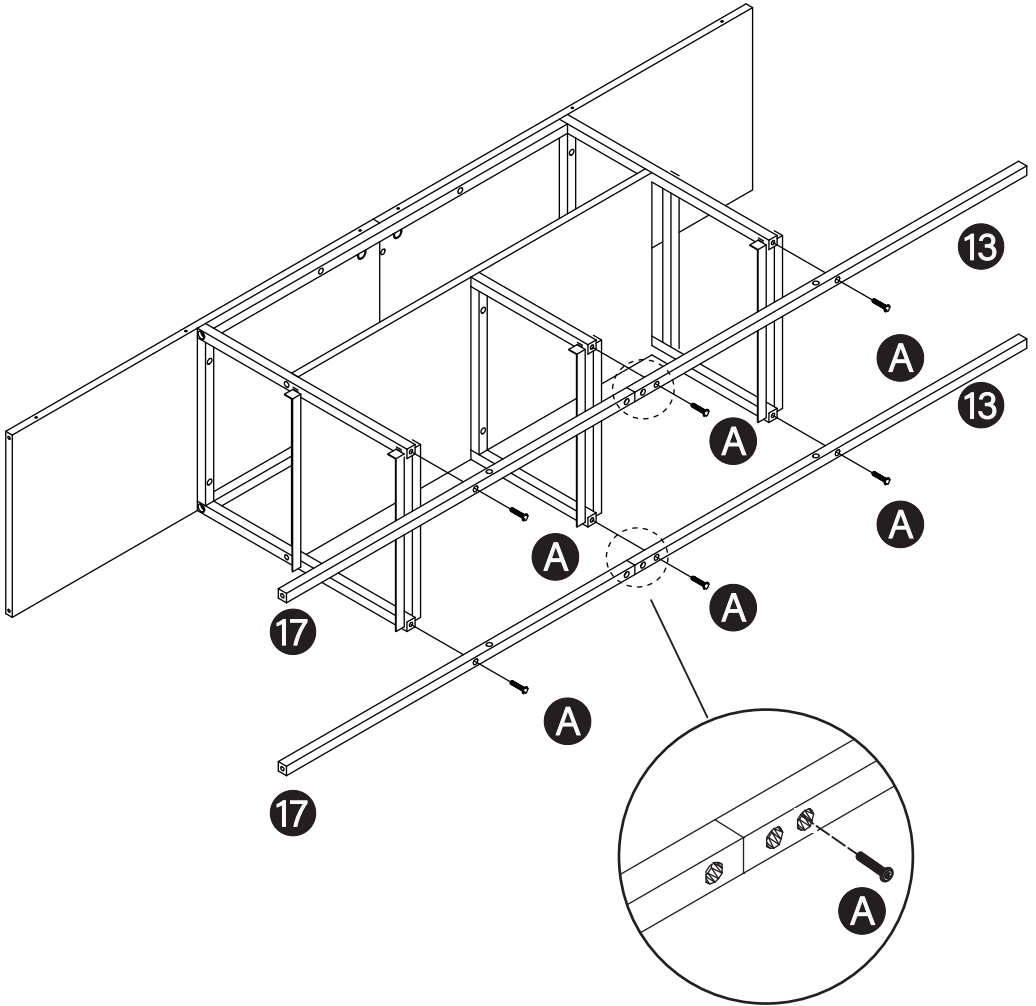
Step 7: Fix the frame **12** to board **6** with screws **A**.



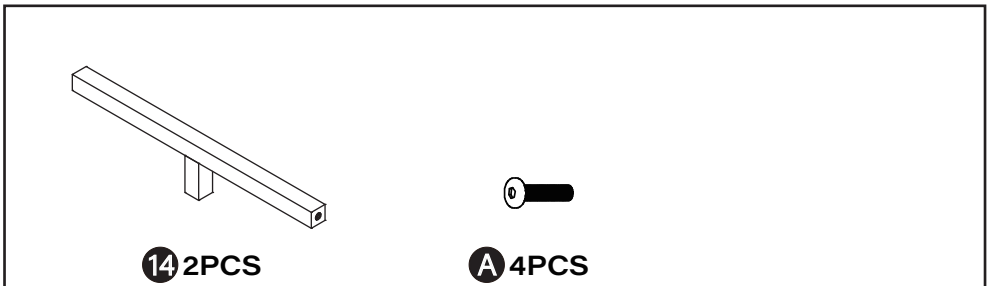
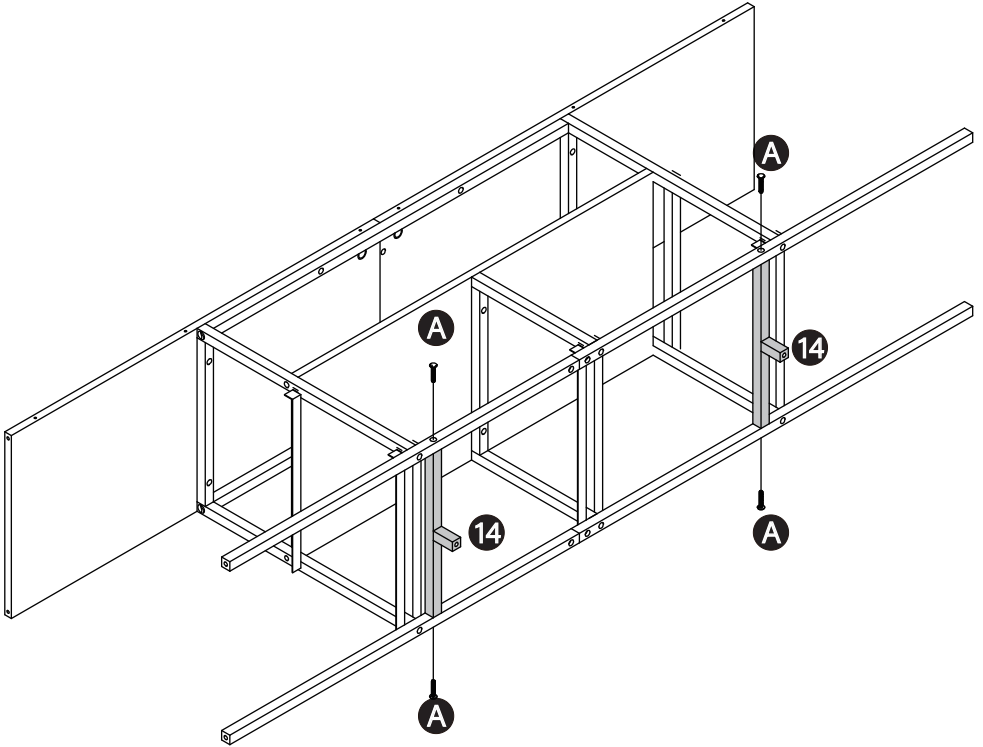
Step8: Fix the metal bar 13、15、17 with connectors F using screws C.



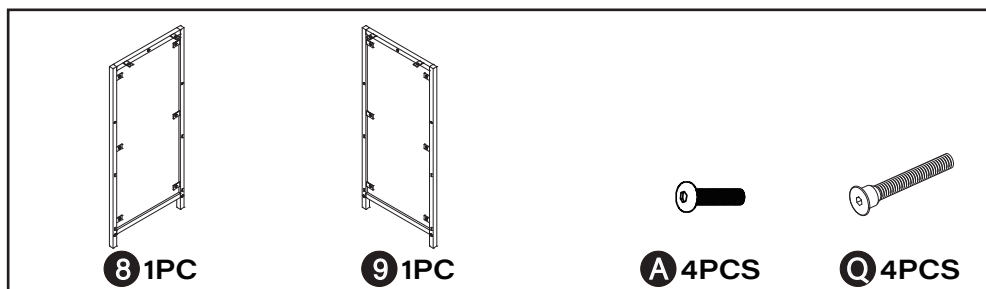
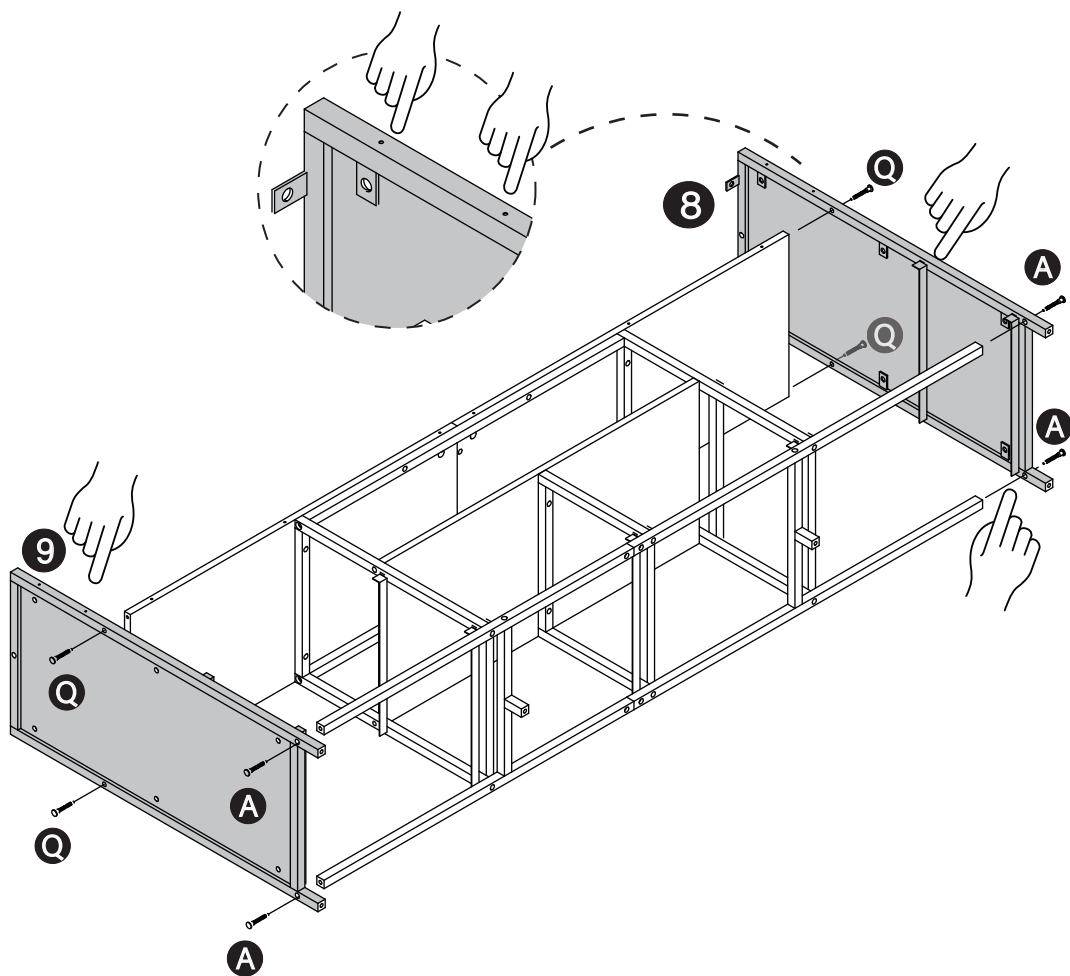
Step9: Fix the metal tubes **13** & **17** onto the frame with screw **A**.



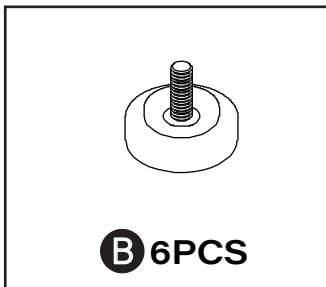
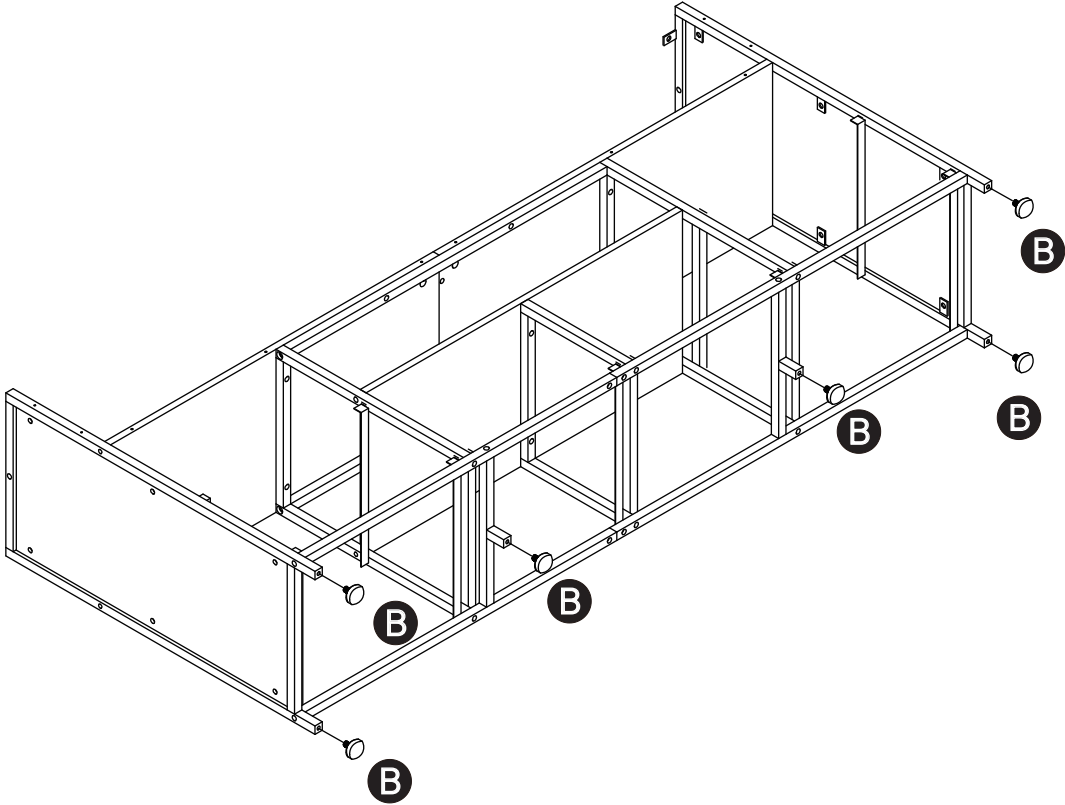
Step 10: Fix metal tubes **14** onto the frame with screw **A**



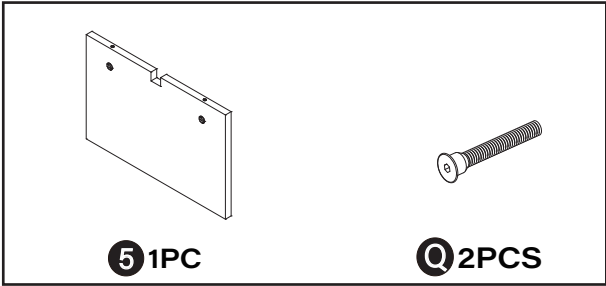
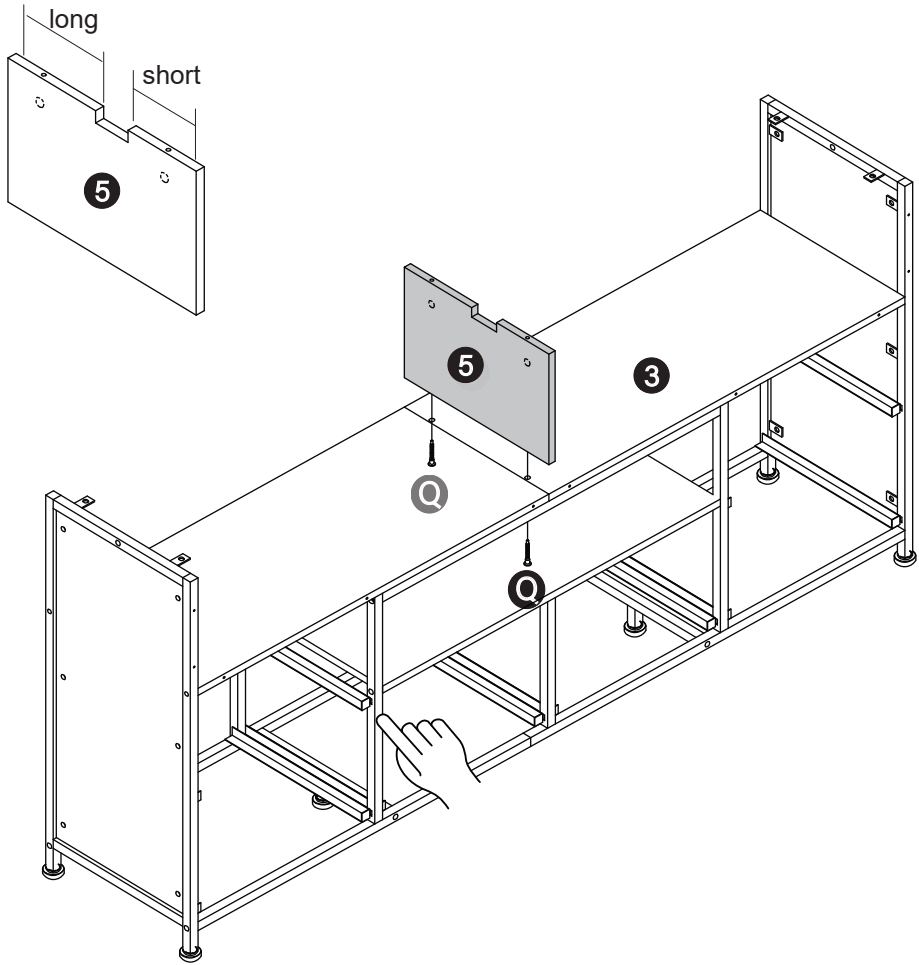
Step 11: Fix the frames **8** and **9** to the completed frame with screws **A** & **Q**.



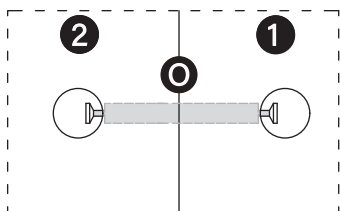
Step 12: Screw in the adjustable feet **B**.



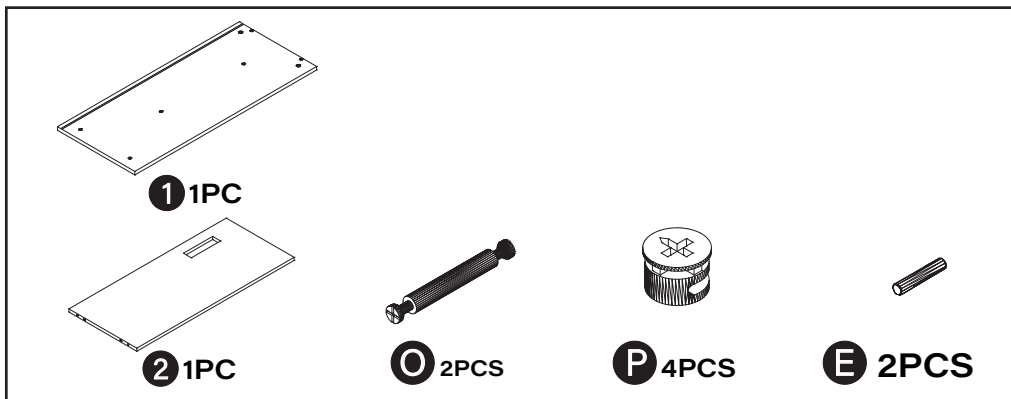
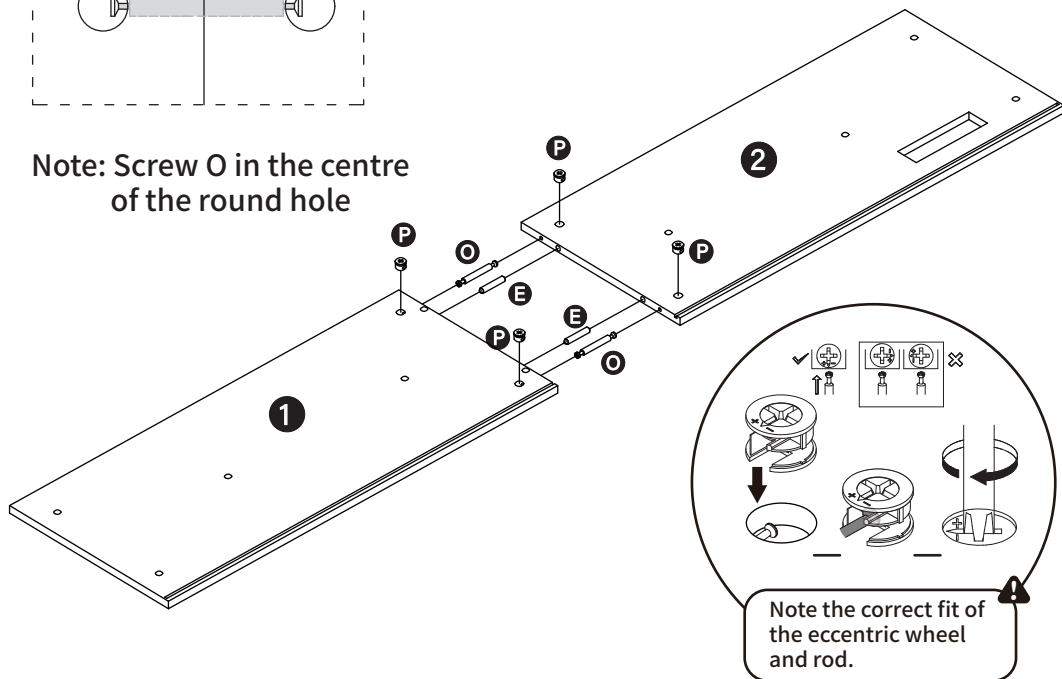
Step13: Fix the board **5** to board **3** with screws **Q**.



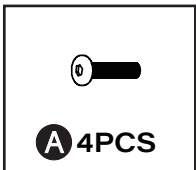
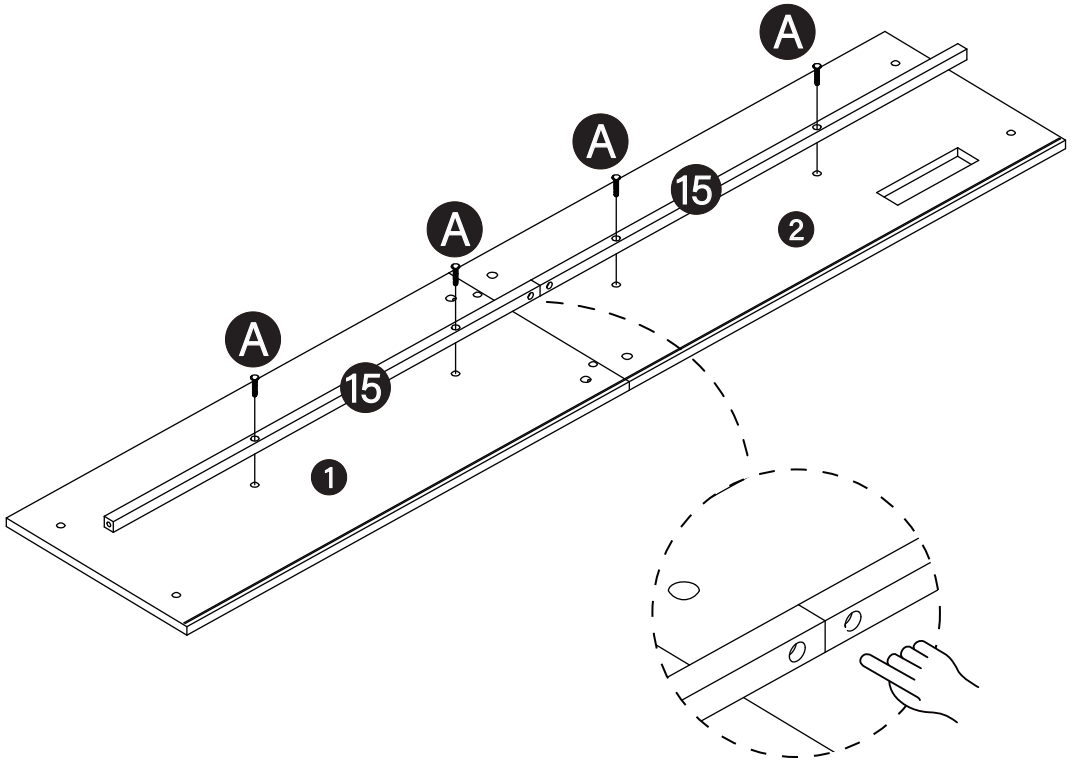
Step14: Insert wooden pins **E** and screws **O** into board **1** & **2**;
 Fix the screws **P** in the board **1** & **2** and tighten its to fix boards.



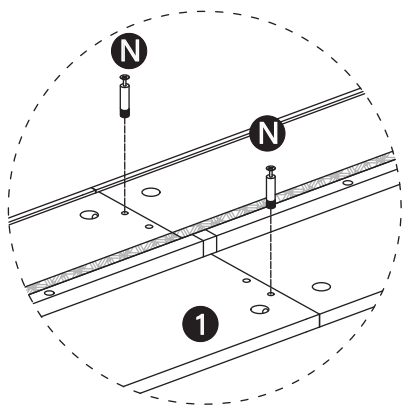
Note: Screw **O** in the centre of the round hole



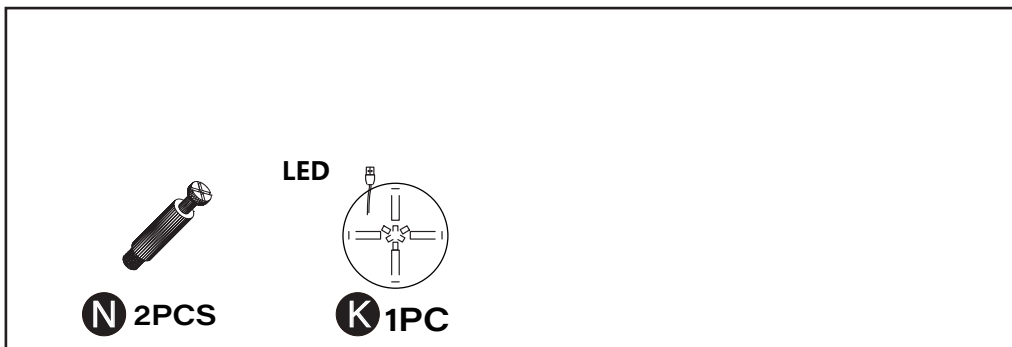
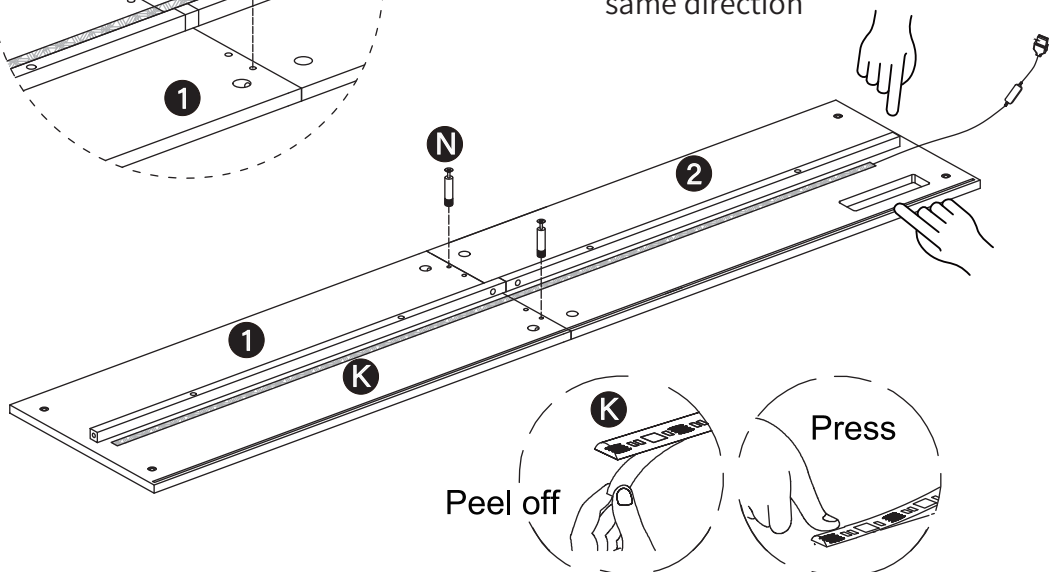
Step 15: Fix the tubes **15** to the board **1** & **2** with the screws **A**.



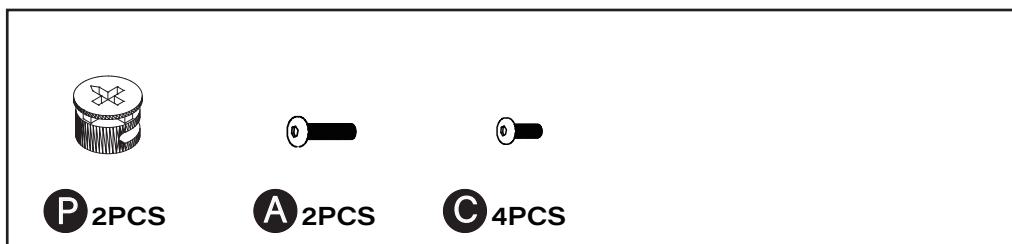
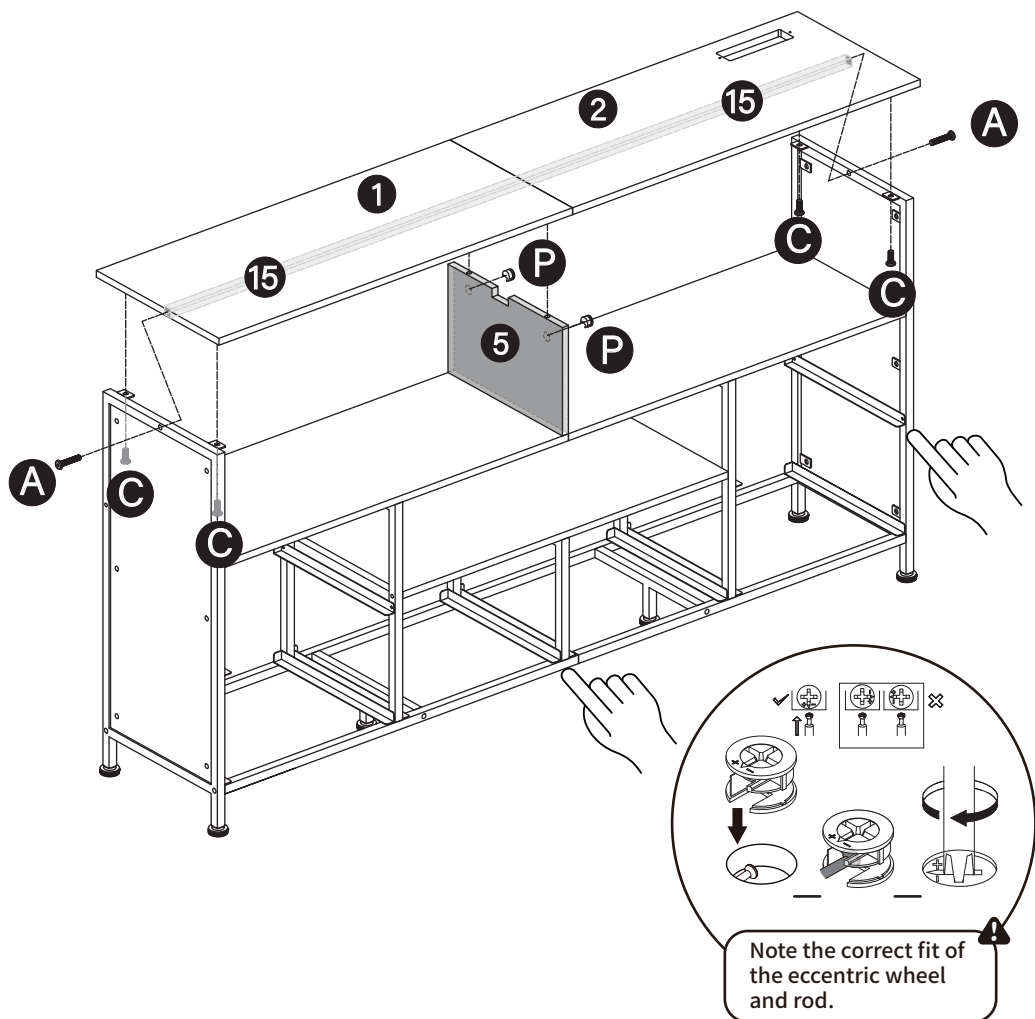
Step16:Screw **N** into board **1**; Attach light strips to board **1**&**2**



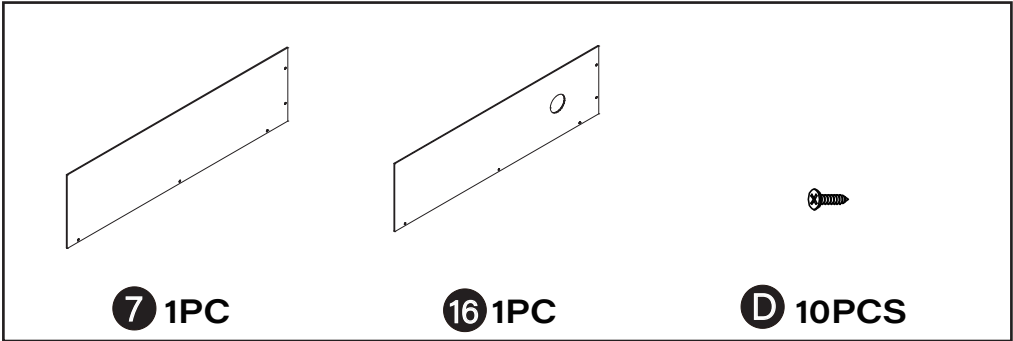
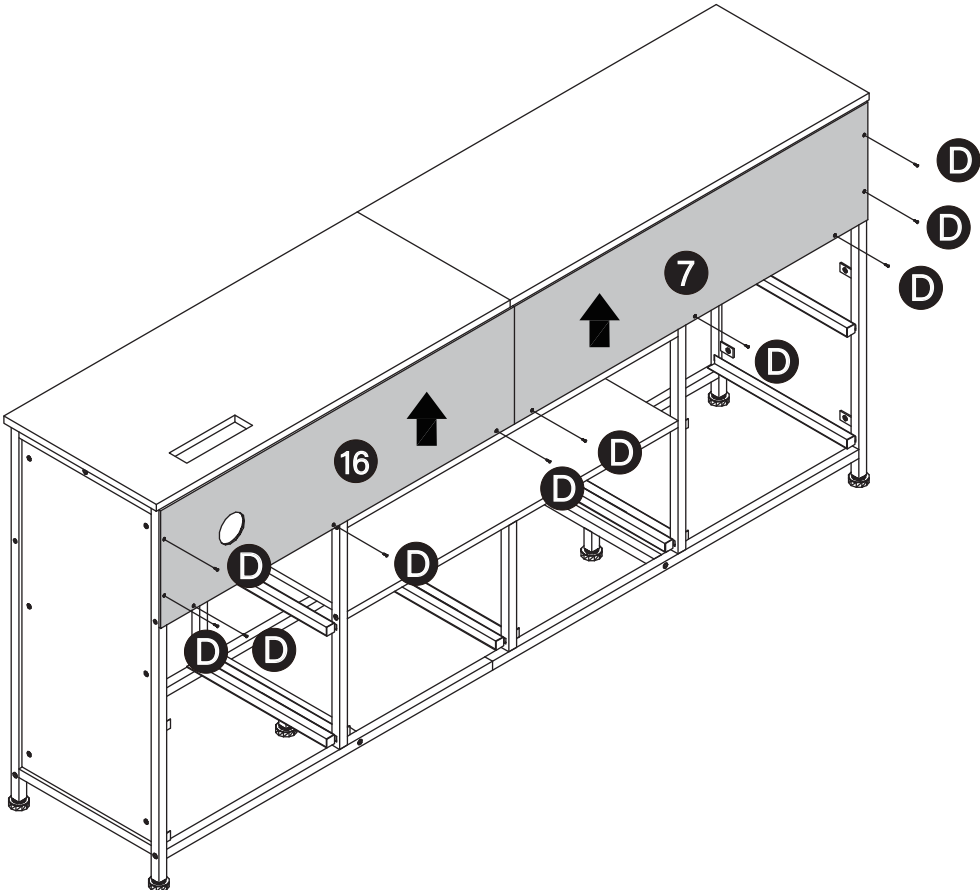
Note that the strip connector and the socket are facing the same direction



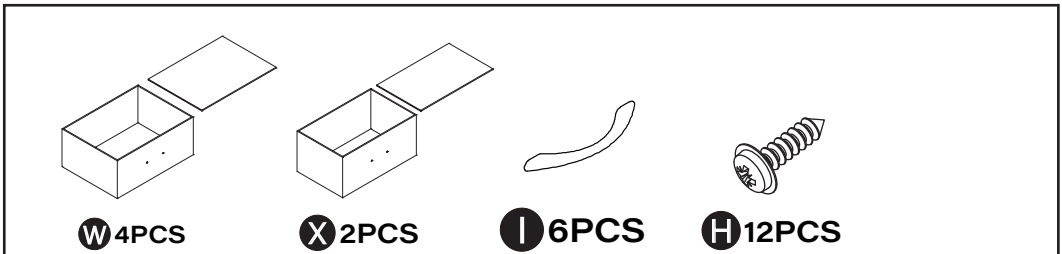
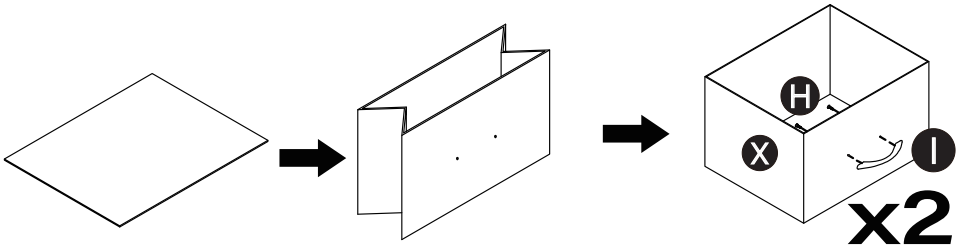
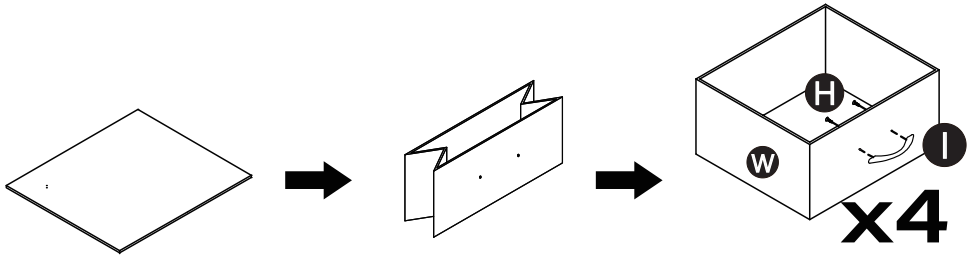
Step17: Fix the board ① & ② to the completed frames with screws ③;
 Fix the screws ④ to board ⑤ and tighten its to fix boards.
 Secure tube ⑥ and frames with screws ⑦;



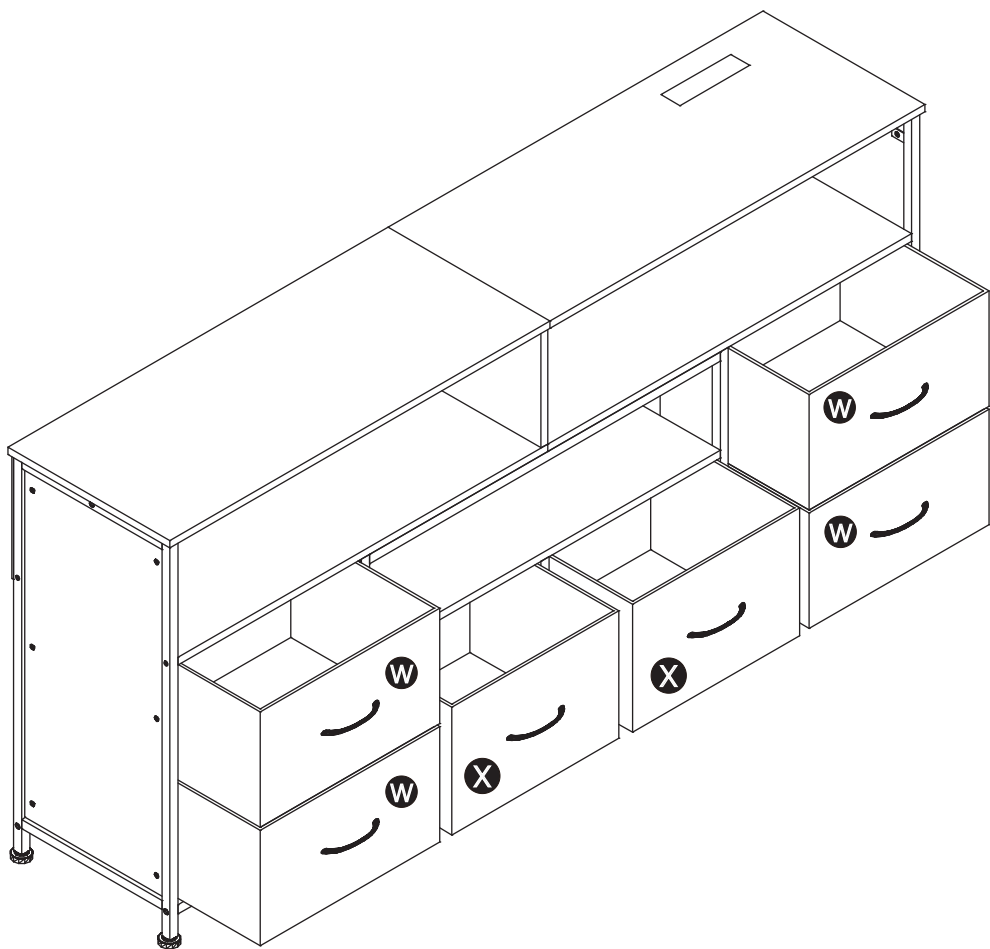
Step 18: Fix the board **7** & **16** on the completed frames with screws **D**.



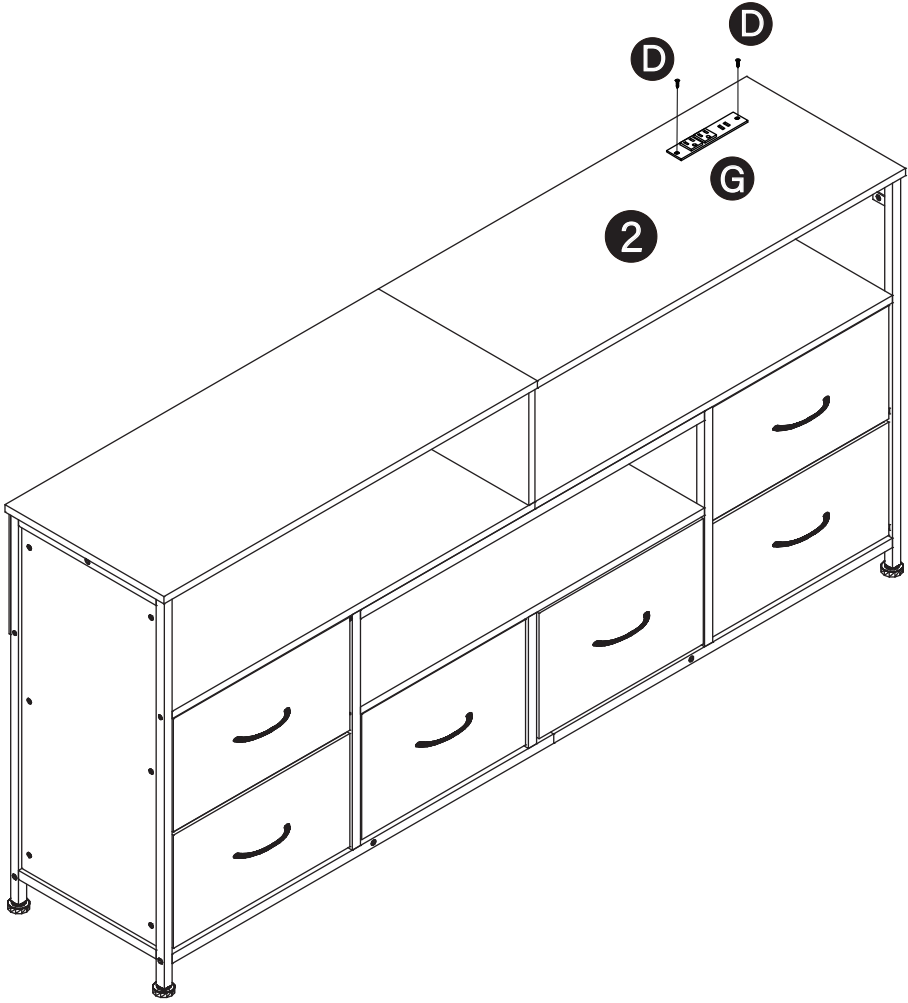
Step19: Assemble fabric drawer **W** & **X** ;
Install handle **I** with screws **H** .



Step20:Put in the fabric drawer.



Step21: Fix power outlet **G** on board **2** with screws **D**.



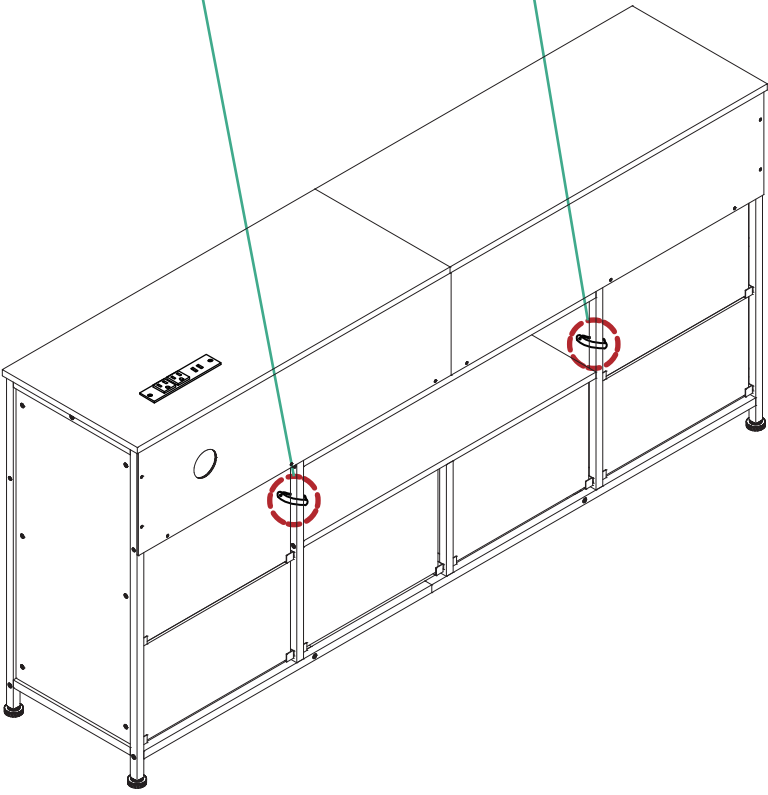
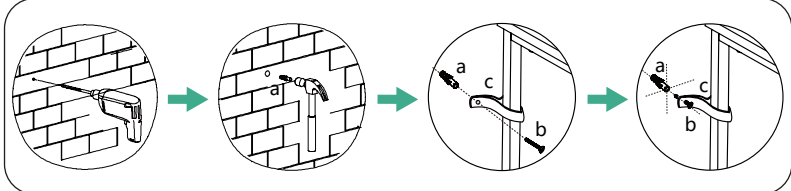
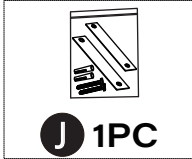
G 1PC









D 2PCS

Step22: Install anti-tipping accessories

Use a power drill to make a 5~6mm hole in the wall.
Use philips head screwdriver or stubby screwdriver, screw the plastic anchors into the holes until they are flush to the wall.
Fix a,b,c together, insert 1 screw into the drywall anchor, tilt your philips head screwdriver, and then lock to the wall, but do not over tighten.



Problems You May Encounter

PROBLEMS	SOLUTIONS
Non-human caused damage during usage.	Please Keep the product and send us photos of it. We will ascertain the cause of the product damage within 48 hours and provide a satisfactory solution.
Mismatch of screw hole positions between components.	<ol style="list-style-type: none"> 1. Please tighten the screws on the board by 70%, do not tighten completely. 2. Adjust the direction of the component to check that the wrong hole position has not been selected.
Product is unstable after being assembled.	<ol style="list-style-type: none"> 1. Check if the screws are tightened. 2. Read through out the manual, check are there any parts installed incorrectly or missing assembled.
Any missing or damaged components.	To solve the problem. We are committed to providing you with Free component shipping and replacement
<p>More problems or the above problems could not be solved.</p>	<p>  Contact us, We will support you! </p> <p>  Support@furologee.com </p> <div style="display: flex; flex-wrap: wrap; justify-content: space-around;"> <div style="border: 1px solid black; width: 40px; height: 40px; margin: 5px; display: flex; align-items: center; justify-content: center;"></div> <div style="border: 1px solid black; width: 40px; height: 40px; margin: 5px; display: flex; align-items: center; justify-content: center;"></div> <div style="border: 1px solid black; width: 40px; height: 40px; margin: 5px; display: flex; align-items: center; justify-content: center;"></div> <div style="border: 1px solid black; width: 40px; height: 40px; margin: 5px; display: flex; align-items: center; justify-content: center;"></div> </div>