

INSTALLATION AND SAFETY INSTRUCTIONS

IMPORTANT: Read before installing fixture. Retain for future reference.

WARNING: Risk of Fire or Electric Shock

- Only authorized, qualified personnel should install this fixture and should follow the owner's manual. Any improper installation might cause failure, electric shock, fire or other injury, damage or hazard.
- Disconnect power before installation or any maintenance of the fixture.
- To prevent fire, this fixture is rated for use in 110-120VAC.
- The product is for interior use only.

Installation Steps:

Step1: Remove mounting bracket from fixture and install to outlet box.

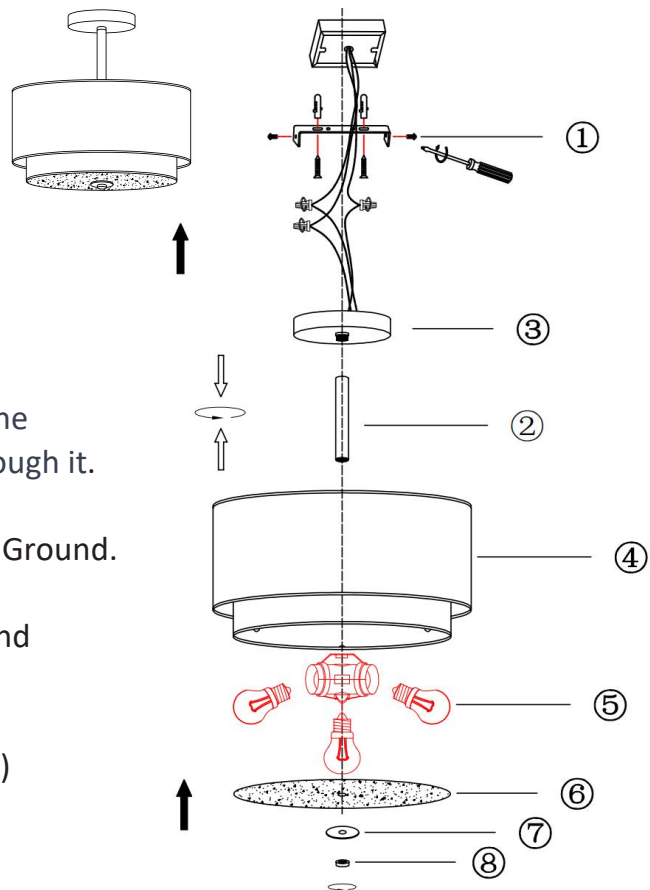
Step2: Assemble the metal straight pipe to the ceiling plate and thread the power cord through it.

Step3: Connect the wires. Copper wire is for Ground.

Step4: Attach canopy to mounting bracket and tighten with screws.

Step5: Install the light bulbs. (NOT INCLUDED)
Note: only suitable small bulbs

Step6: Put the Cap close to the diffuser, then secured by finial.



- When installing the lamp, please cut off the power supply in the room firstly.
- It is strictly forbidden to wipe the surface of the lamp with a chemical solvent such as. It is recommended to wipe it with a clean cotton cloth.