

RVF1233

KITCHEN FAUCET

RUVATI[®]
SPECIFICATION SHEET

FEATURES

- Ceramic Cartridge
- Solid brass construction
- Tall pre-rinse sprayer with flexible hose
- Includes hot and cold inlet hoses
Standard 3/8" compression fitting
- 1 hole installation (standard 1-3/8" hole)



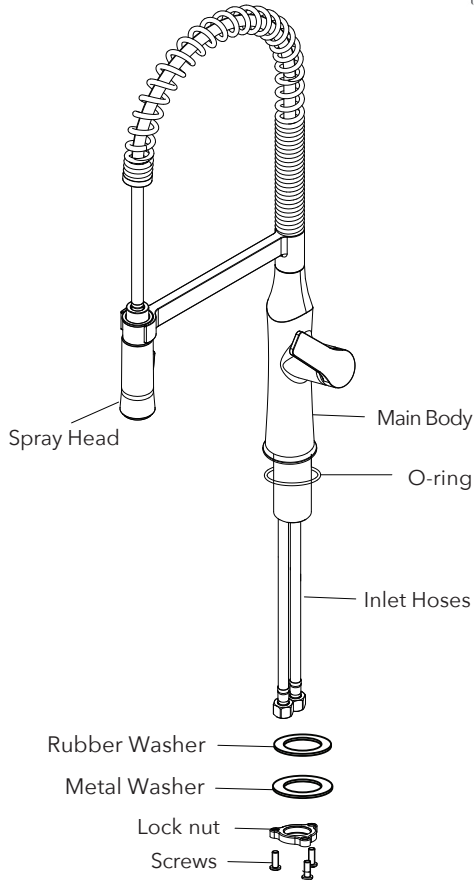
IN THE BOX



Aerator Wrench



Allen Key



RUVATI USA
WWW.RUVATI.COM

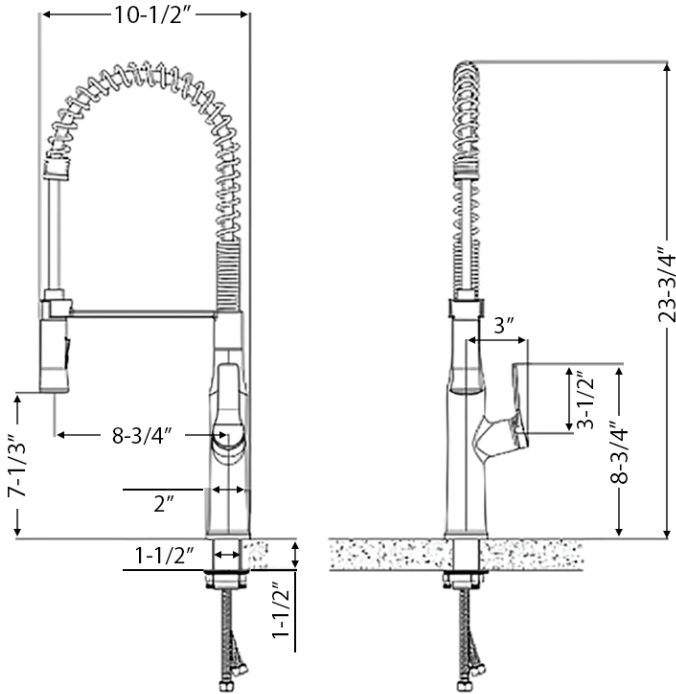
COLOR OPTIONS

• Brushed Nickel (BN)

• Brushed Gold (SG)

DIMENSIONS

- Overall Height: 23-3/4"
- Spout Height: 7-1/3"
- Spout Reach: 8-3/4"



ADA
Americans with
Disabilities Act

CODES / STANDARDS

CUPC CERTIFIED BY IAPMO
ASME A112.18.1/CSA B125.1
NSF/ANSI/CAN 61 & 372

ADA COMPLIANT
CALIFORNIA ENERGY COMMISSION
(CEC) AND CALGREEN, EPA WATERSENSE



SCAN TO REGISTER OR VISIT
WWW.RUVATI.COM/REGISTER

RUVATI USA

WWW.RUVATI.COM

PHONE: 1.855.478.8284
EMAIL: SUPPORT@RUVATI.COM