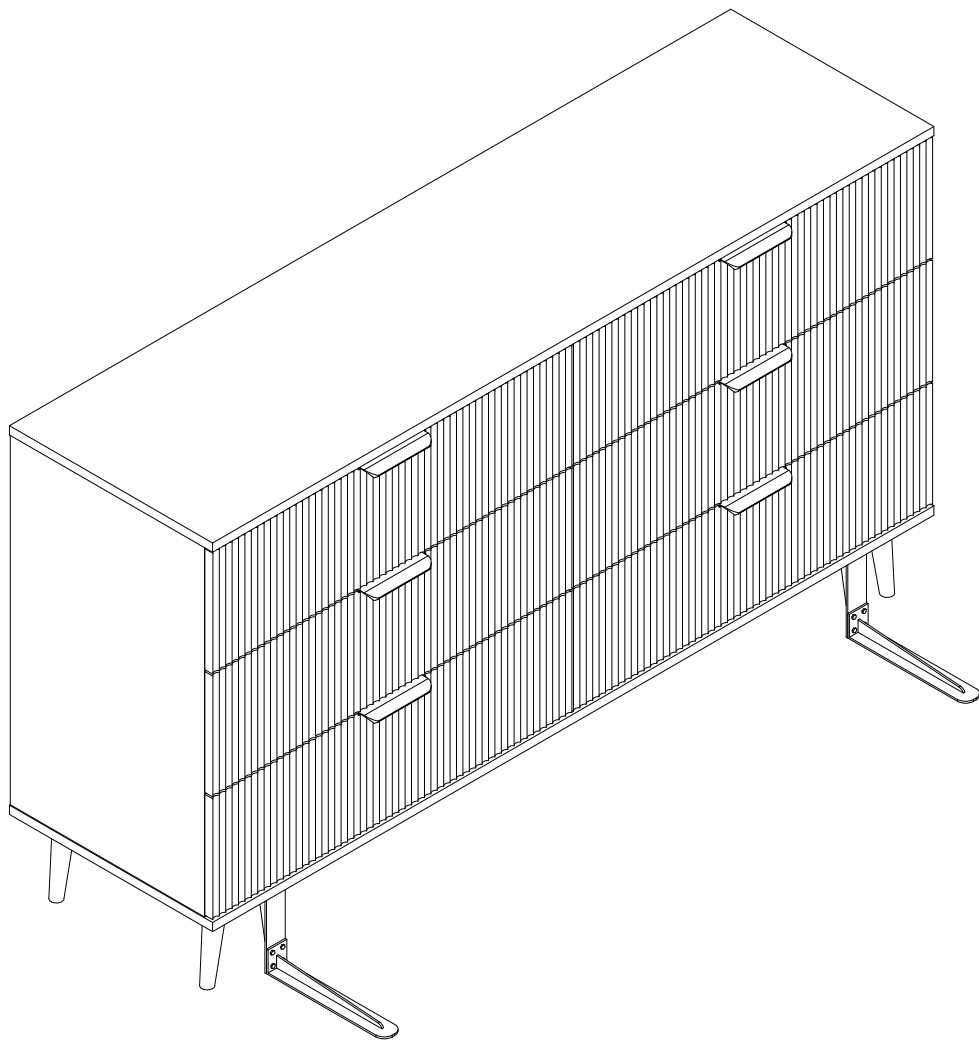
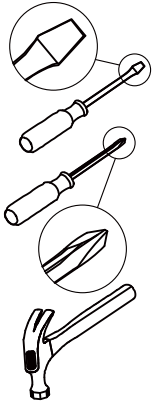


# ASSEMBLY INSTRUCTION

---



# Before You Start



- ✓ Read through each step carefully and follow the proper order
- ✓ Separate and count all your parts and hardware, If Parts are missing defective or having wrong parts in package, or Board Surface is broken, scratched or lack of some screw holes. You can contact us and we will get back to you within 24 hours. Or, you can reach us via after-sales email.
- ✓ Give yourself enough room for the assembly process
- ✓ Caution: If using a power drill or power screwdriver for screwing, please pay attention to slow down and stop when screw is tight. Failure to do so may result in stripping the screw. ( Assembly speed can be increased by using electric screwdriver )

# Helpful Hints

## PEOPLE NEEDED FOR ASSEMBLY: 2

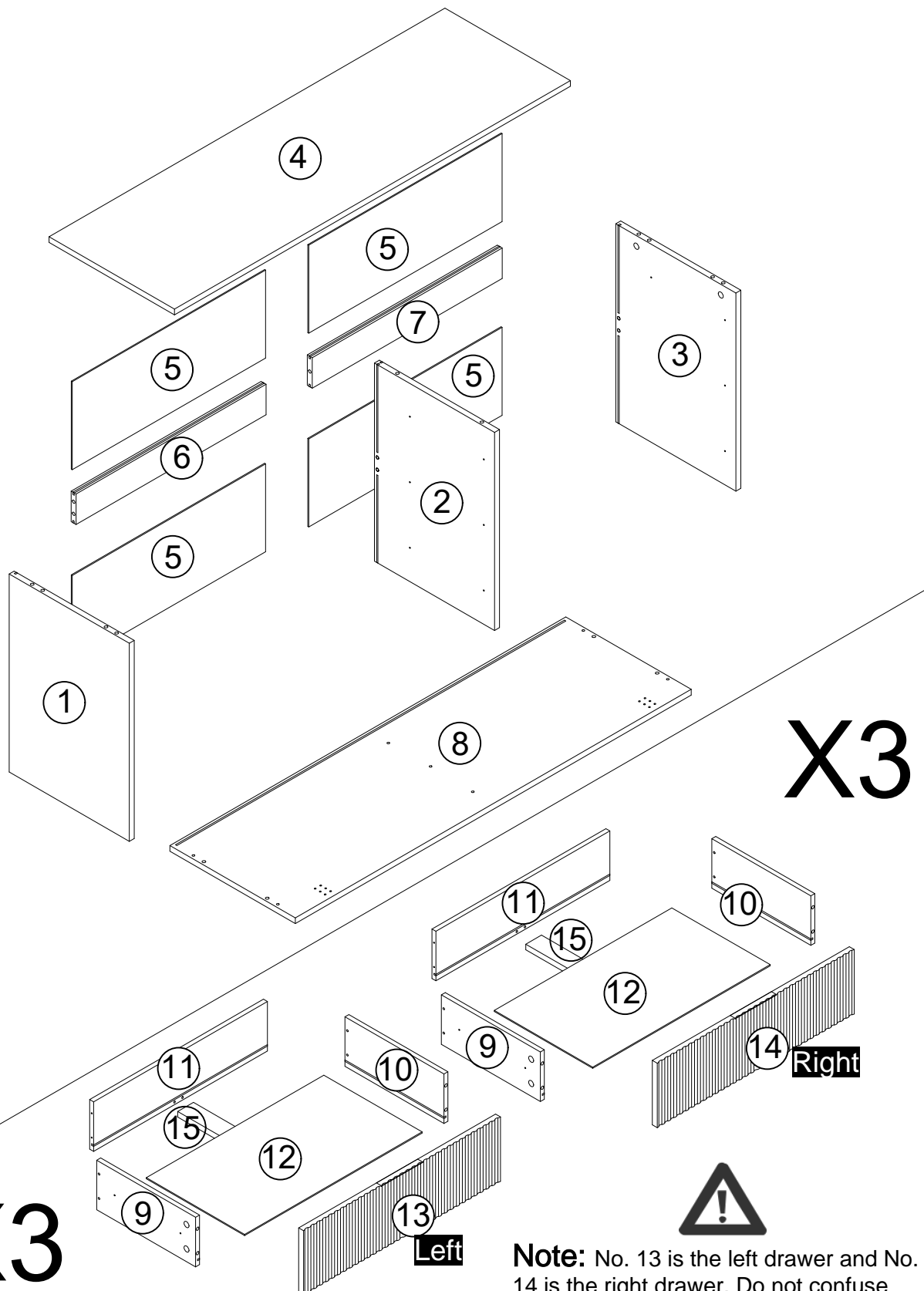
- Open your item in the area you plan to keep it to avoid excessive heavy lifting.
- Identify, sort and count the parts before attempting assembly.
- Do not make the screws too loose or too tight.
- The accessory bag contains some small accessories, which should be kept away from children.
- The remaining parts are spare parts.
- Do NOT use harsh chemicals or abrasive cleaners on this item. And Never push, pull, or drag your furniture.
- Young children can be seriously injured by tipping furniture. You must install the tipping restraint hardware with the unit ( No. F ) to prevent the unit from tipping, causing any accidents or damage. the tipping restraints are intended only as a deterrent, they are not a substitute for proper adult supervision.
- Note: Do not open more than 2 drawers at the same time without install the tipping restraint hardware, otherwise there is a risk of tipping.



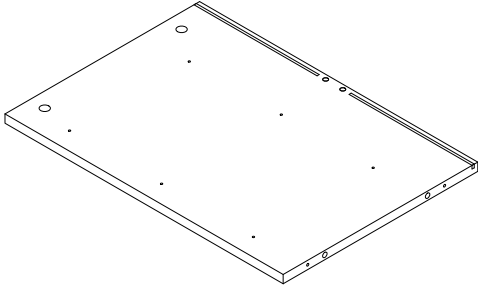
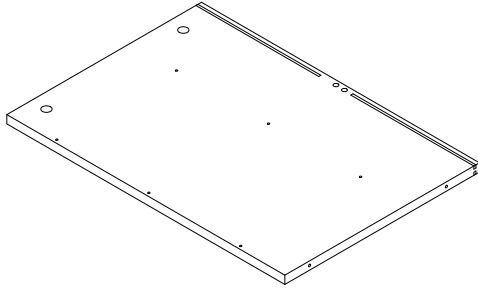
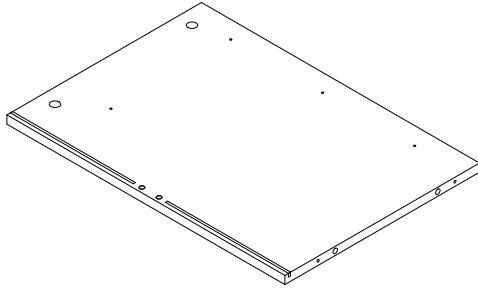
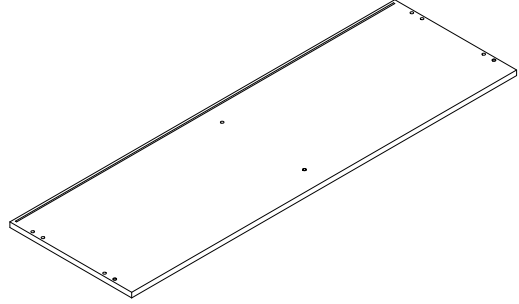
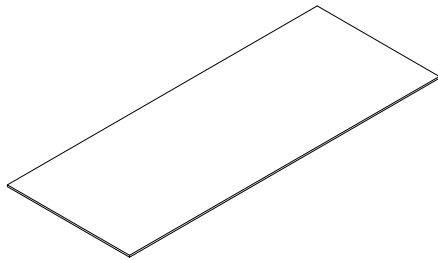
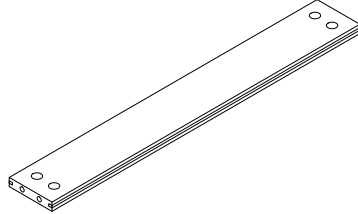
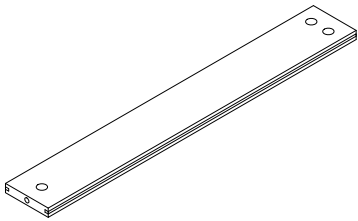
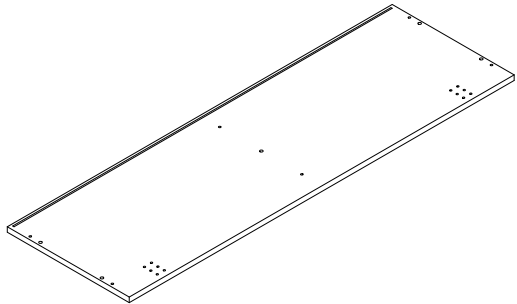
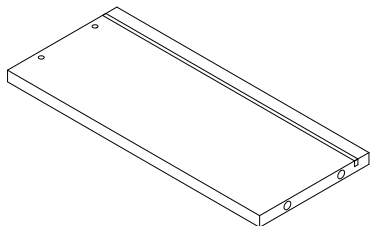
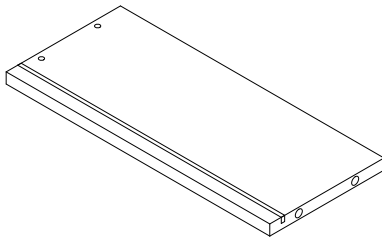
# This Is A Challenge For You !

Putting furniture together can feel tricky at first,  
but why not give it a shot?

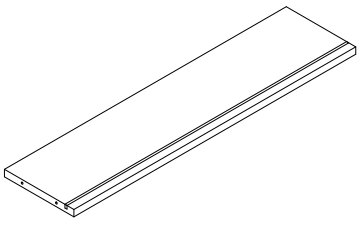
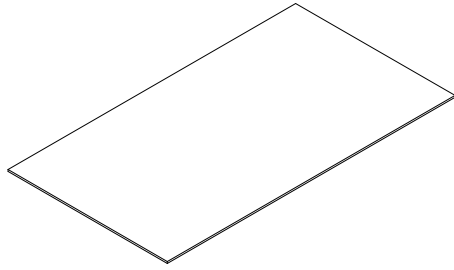
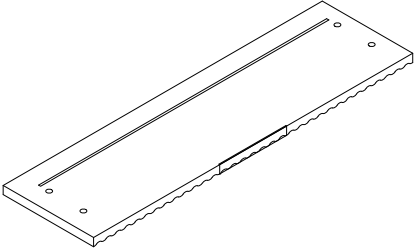
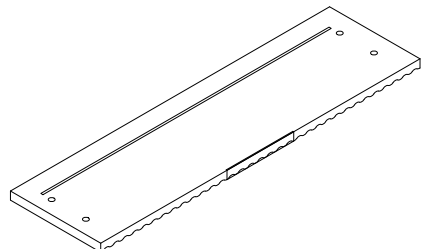
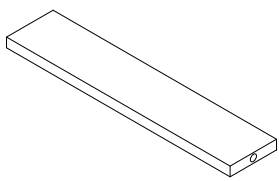
Once you' re done, you' ll see it' s not as hard as it looks  
—and your family or friends might even be impressed!



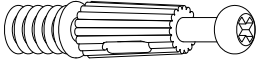
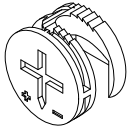


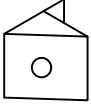
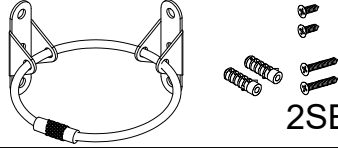
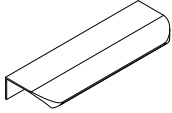
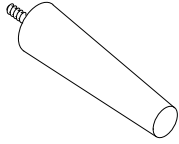
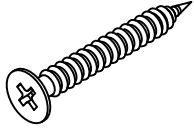
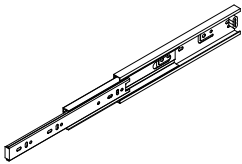
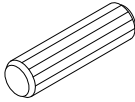
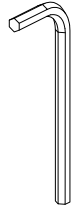
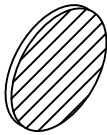

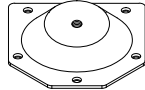
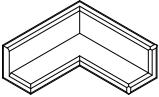
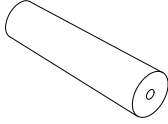
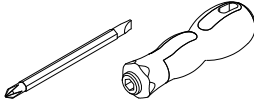
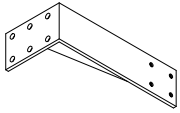
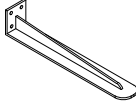
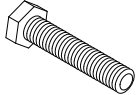
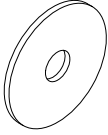
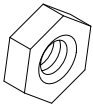
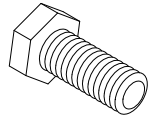
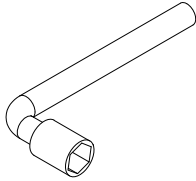
## Parts List / Teile Liste

<p style="font-size: 24px; font-weight: bold; margin-bottom: 10px;">1</p>  <p style="margin-top: 10px;">600*364*15 <span style="float: right;">1 PC</span></p>	<p style="font-size: 24px; font-weight: bold; margin-bottom: 10px;">2</p>  <p style="margin-top: 10px;">600*364*15 <span style="float: right;">1 PC</span></p>
<p style="font-size: 24px; font-weight: bold; margin-bottom: 10px;">3</p>  <p style="margin-top: 10px;">600*364*15 <span style="float: right;">1 PC</span></p>	<p style="font-size: 24px; font-weight: bold; margin-bottom: 10px;">4</p>  <p style="margin-top: 10px;">1350*380*15 <span style="float: right;">1 PC</span></p>
<p style="font-size: 24px; font-weight: bold; margin-bottom: 10px;">5</p>  <p style="margin-top: 10px;">661*271*3 <span style="float: right;">4 PCS</span></p>	<p style="font-size: 24px; font-weight: bold; margin-bottom: 10px;">6</p>  <p style="margin-top: 10px;">651*80*15 <span style="float: right;">1 PC</span></p>
<p style="font-size: 24px; font-weight: bold; margin-bottom: 10px;">7</p>  <p style="margin-top: 10px;">651*80*15 <span style="float: right;">1 PC</span></p>	<p style="font-size: 24px; font-weight: bold; margin-bottom: 10px;">8</p>  <p style="margin-top: 10px;">1350*380*15 <span style="float: right;">1 PC</span></p>
<p style="font-size: 24px; font-weight: bold; margin-bottom: 10px;">9</p>  <p style="margin-top: 10px;">300*150*12 <span style="float: right;">6 PCS</span></p>	<p style="font-size: 24px; font-weight: bold; margin-bottom: 10px;">10</p>  <p style="margin-top: 10px;">300*150*12 <span style="float: right;">6 PCS</span></p>

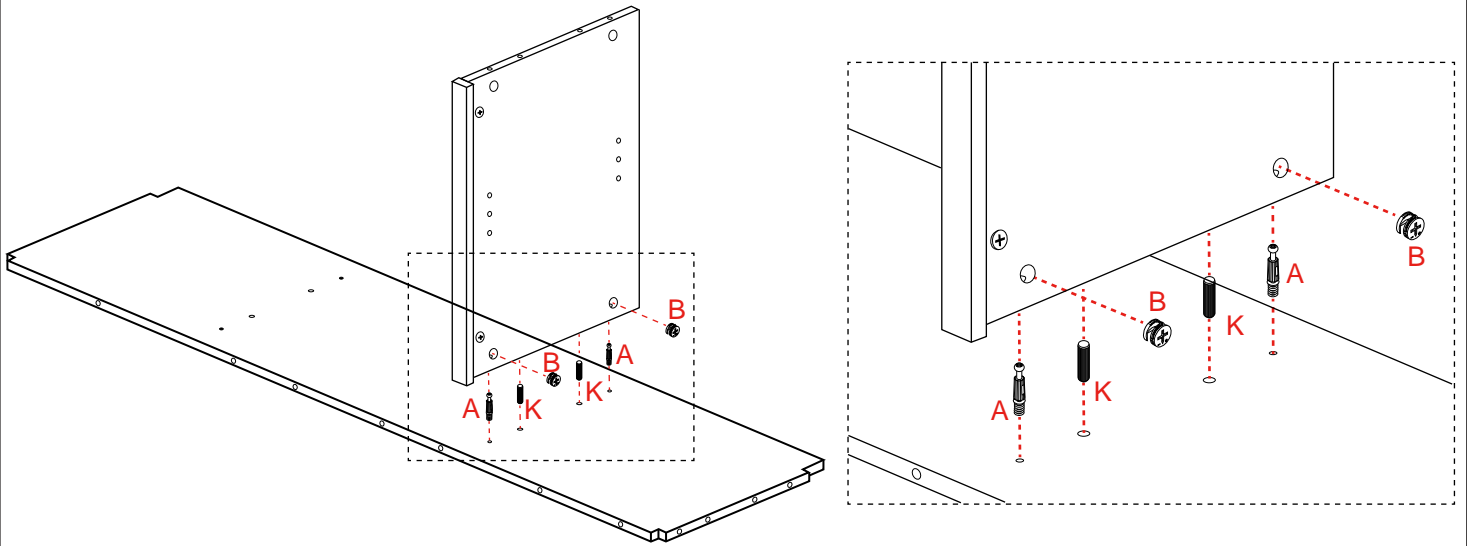
# Parts List / Teile Liste

<p>11</p>  <p>601*150*12</p> <p>6 PCS</p>	<p>12</p>  <p>612*298*3</p> <p>6 PCS</p>
<p>13</p>  <p>672*196*15</p> <p>3 PCS</p>	<p>14</p>  <p>672*196*15</p> <p>3 PCS</p>
<p>15</p>  <p>288*60*12</p> <p>6 PCS</p>	

# Parts List / Teile Liste

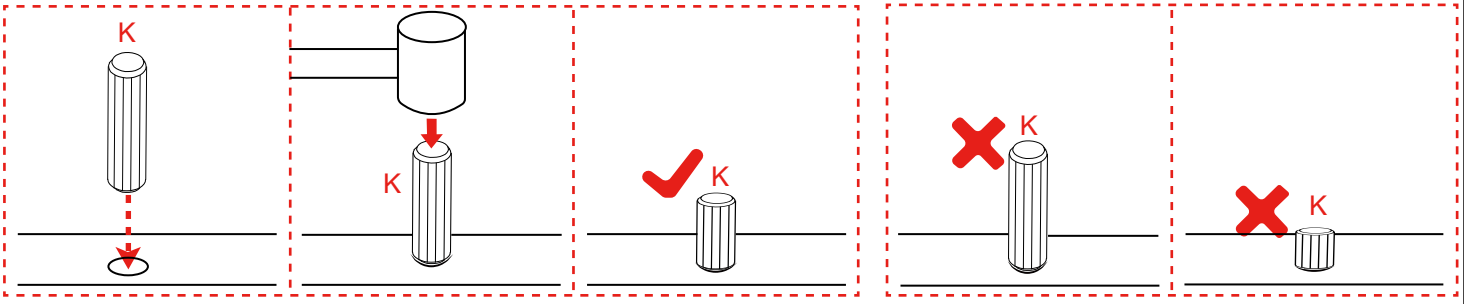
<p><b>A</b></p>  <p>Ø6x36mm      43PCS</p>	<p><b>B</b></p>  <p>Ø15x9.2mm      43PCS</p>	<p><b>C</b></p>  <p>M3.5x12mm      84PCS</p>
<p><b>D</b></p>  <p>M3.5x14mm      16PCS</p>	<p><b>E</b></p>  <p>16PCS</p>	<p><b>F</b></p>  <p>2SET</p>
<p><b>G</b></p>  <p>6 PCS</p>	<p><b>H</b></p>  <p>4PCS</p>	<p><b>I</b></p>  <p>M3.5x40mm      36PCS</p>
<p><b>J</b></p>  <p>12SET</p>	<p><b>K</b></p>  <p>Ø8*30mm      8PCS</p>	<p><b>L</b></p>  <p>M4      1PC</p>
<p><b>M</b></p>  <p>Ø20mm      8 PCS</p>	<p><b>N</b></p>  <p>M7*50      7PCS</p>	<p><b>O</b></p>  <p>4PCS</p>
<p><b>P</b></p>  <p>40*40*15      4PCS</p>	<p><b>Q</b></p>  <p>1PC</p>	<p><b>R</b></p>  <p>1PC</p>
<p><b>S</b></p>  <p>2PCS</p>	<p><b>T</b></p>  <p>2PCS</p>	<p><b>U</b></p>  <p>M4*25mm      12PCS</p>
<p><b>V</b></p>  <p>12PCS</p>	<p><b>W</b></p>  <p>M4      20PCS</p>	<p><b>X</b></p>  <p>M4*12mm      8PCS</p>
<p><b>Y</b></p>  <p>2PC</p>		

## How the knock down assembly system works

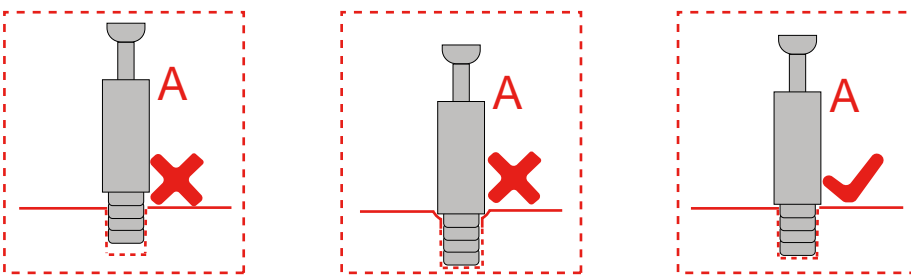


## How to Install Wood Dowel

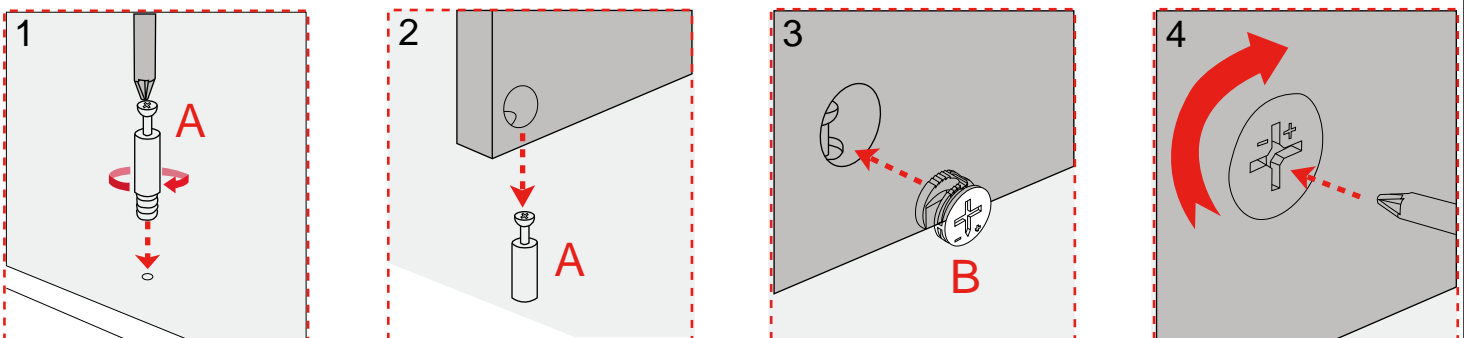
Insert the wood dowel [ K ] at least half way by tapping lightly with a rubber mallet, IF NECESSARY.



## Cam Lock System Operation



1. Screw the cam bolt [A] into the threaded insert on the panel.
2. Connect both panels together making sure cam bolt [A] goes into the pre-drilled large hole on the end of panel for cam lock [B].
3. Insert the cam lock [B] into the pre-drilled large hole on the panel. Make sure the cross slot of cam lock [B] faces out (The arrow should point towards Screw No. A).
4. Rotate the cam lock [B] clockwise with a self-supplied phillips screwdriver to lock the cam bolt [A] in place (Rotate 100-180 degrees until tight).



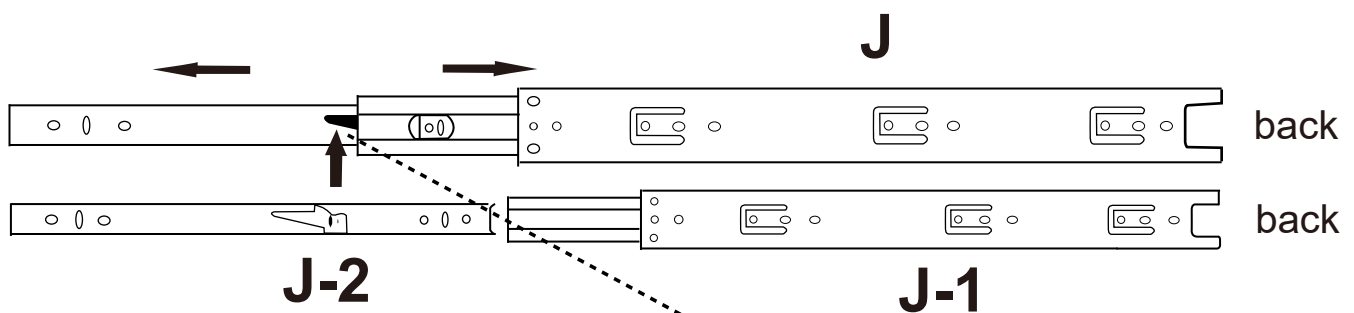
## STEP 1



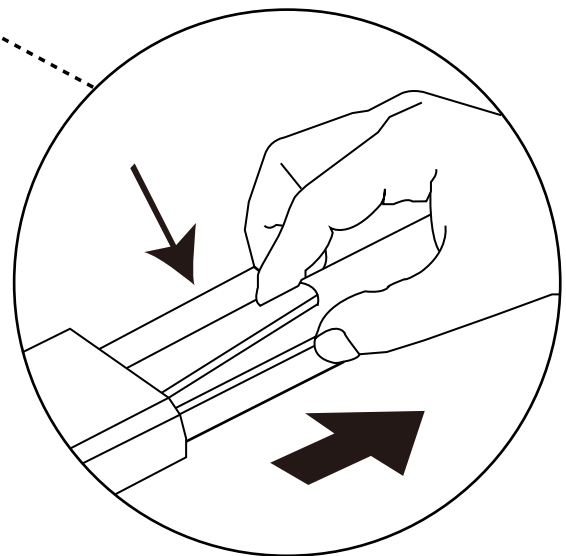
# Hardware installation demonstration

- Before installing the drawer rail you need to separate the J-1 and J-2 first.

1. Place the J as shown in picture Then Pull out the J-2



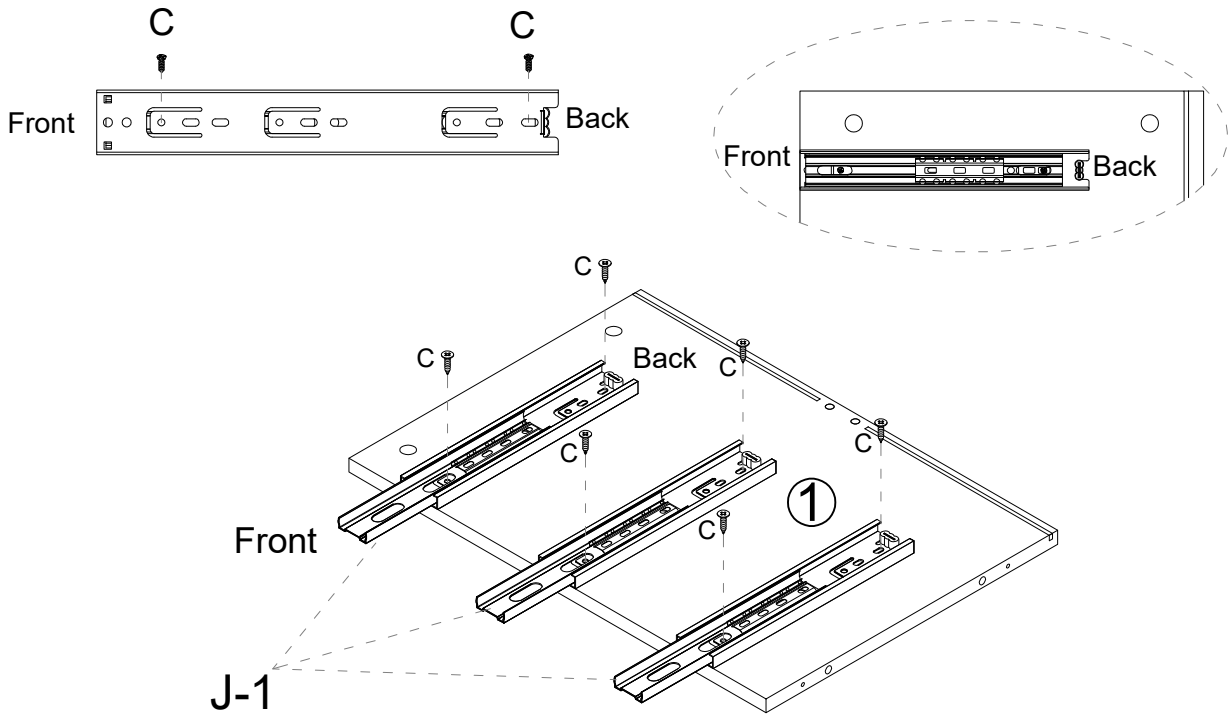
2. Find the latch position, press it and split





**Warm Reminder: Press it and split**

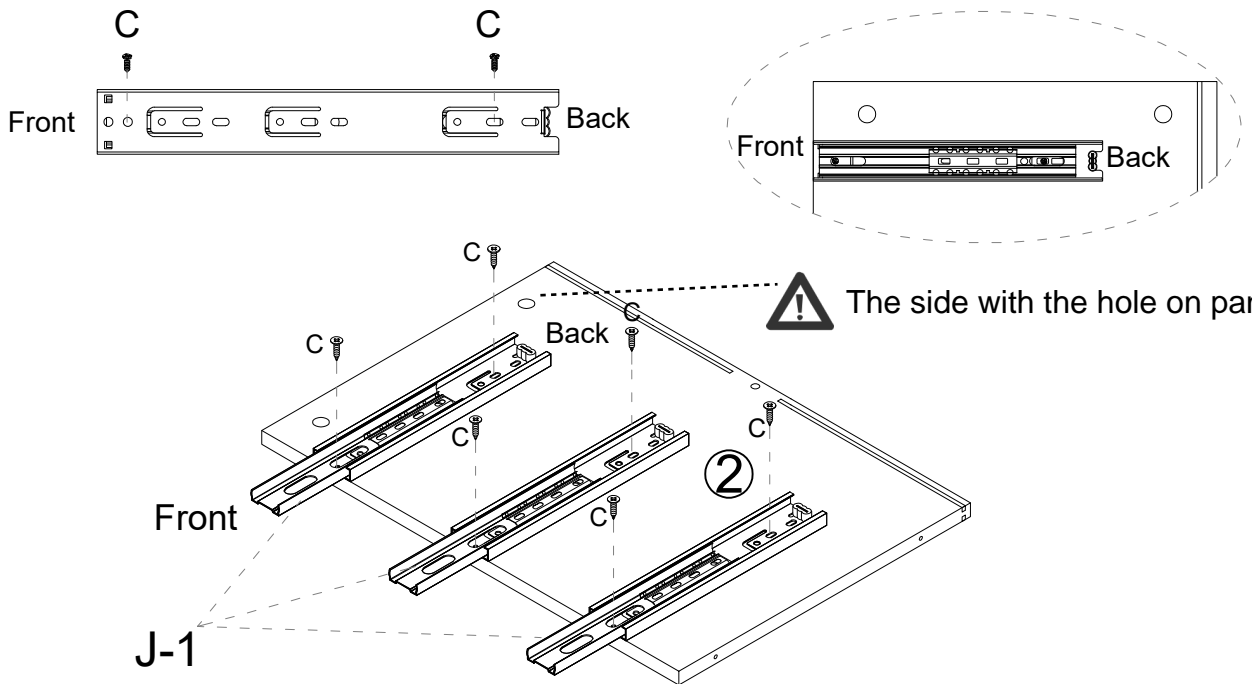
The guide rails have been lubricated before leaving the factory to ensure smooth sliding of the drawer and extend its service life. This is normal.



**STEP 2** Use 6Pcs No. C screws to install the outer rail (No. J-1) on panel No. 1. Before installing the rail, refer to step 1 to separate the rail (No. J) into the inner rail (No. J-2) and the outer rail (No. J-1).



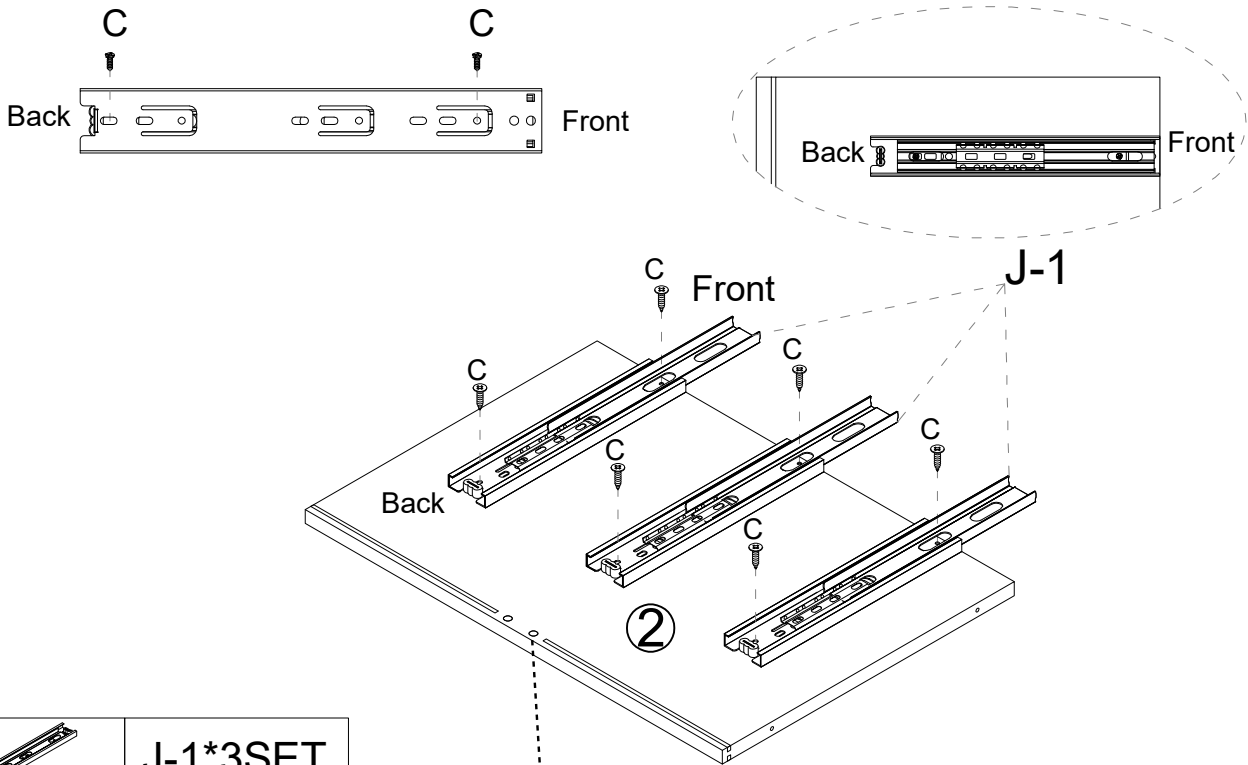
	J-1*3SET
	C*6PCS



**STEP 3** Use 6Pcs No. C screws to install the outer rail (No. J-1) on panel No. 2. Before installing the rail, refer to step 1 to separate the rail (No. J) into the inner rail (No. J-2) and the outer rail (No. J-1).



	J-1*3SET
	C*6PCS

**STEP 4** Use 6Pcs No. C screws to install the outer rail (No. J-1) on the other side of panel No. 2. Before installing the rails, refer to step 1 to separate the rail (No. J) into the inner rail (No. J-2) and the outer rail (No. J-1).

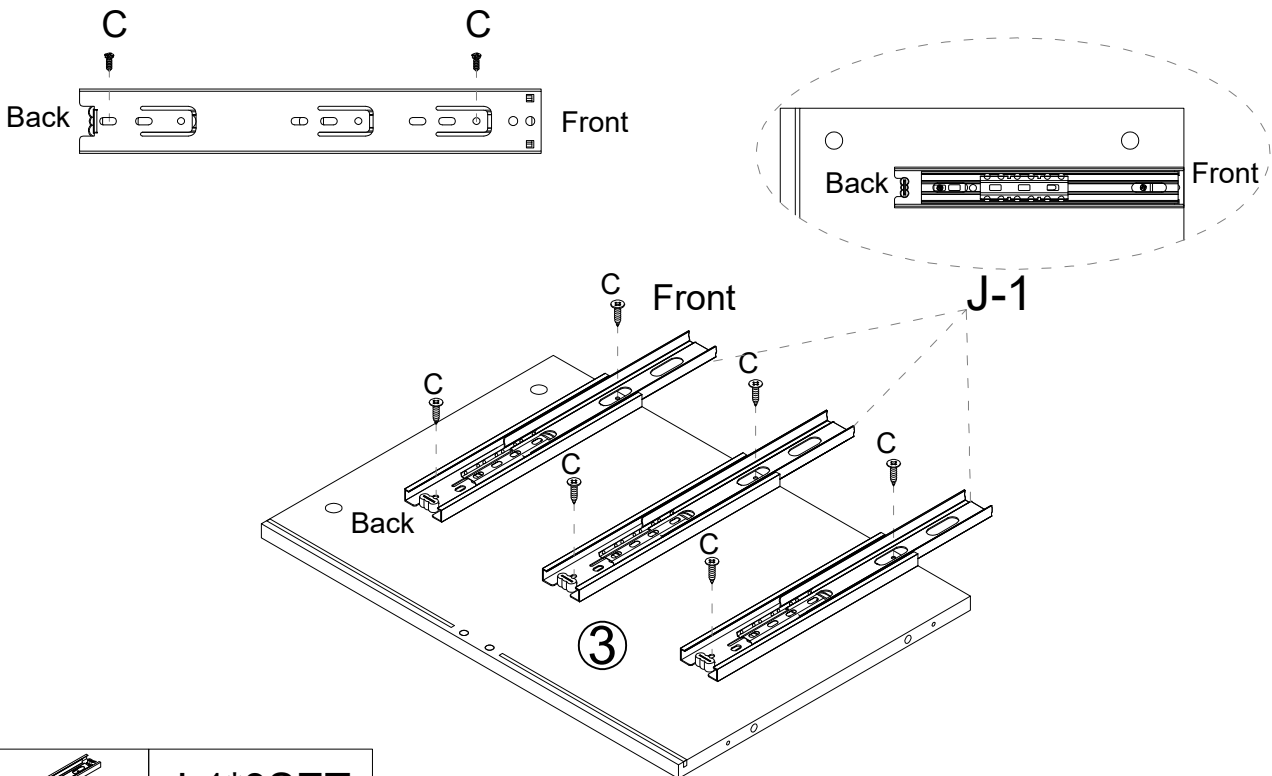




	J-1*3SET
	C*6PCS



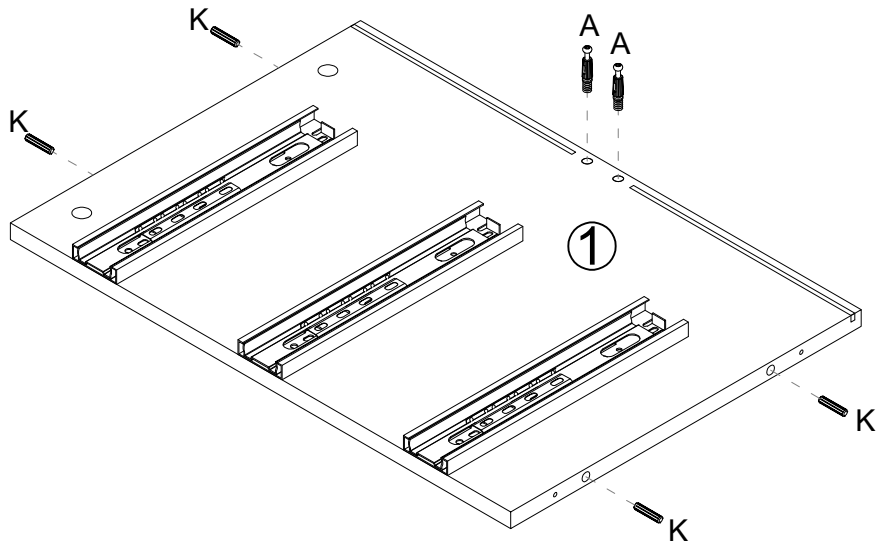
On the opposite side of Panel No. 2, there are two pre-drilled holes at this position.


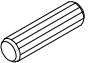
**STEP 5** Use 6Pcs No. C screws to install the outer rail (No. J-1) on panel No. 3. Before installing the rail, refer to step 1 to separate the rail (No. J) into the inner rail (No. J-2) and the outer rail (No. J-1).



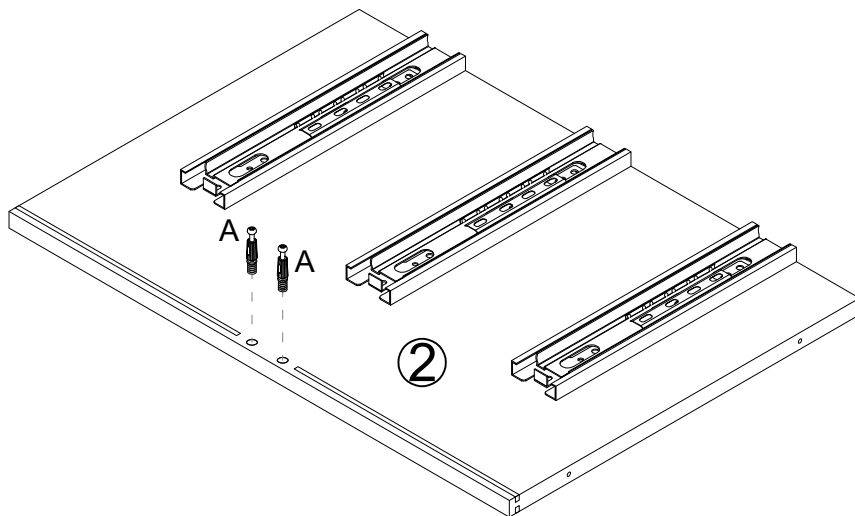
	J-1*3SET
	C*6PCS

**STEP 6** Install the 2Pcs No. A screws into the corresponding holes in panel No. 1, then insert the 4Pcs No. K wood plugs into the holes on the side of panel No. 1. (If you are unsure how to install the No. A screws, refer to page 9)



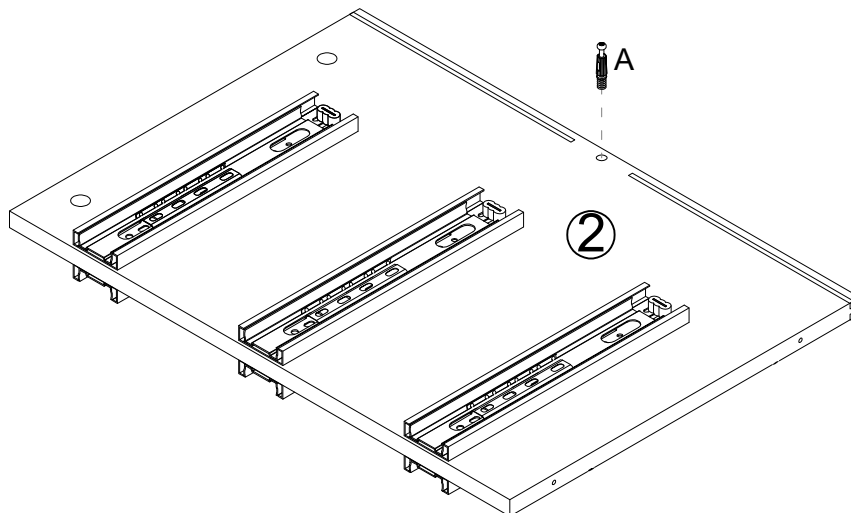
	A*2PCS
	K*4PCS

**STEP 7** Install the 2Pcs No. A screws into the corresponding holes in panel No. 2, (If you are unsure how to install the No. A screws, refer to page 9)



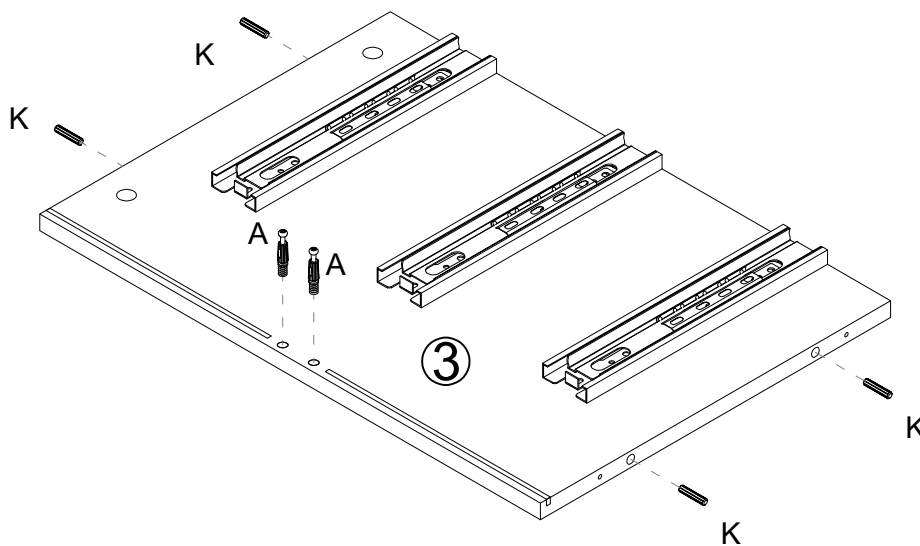
	A*2PCS
---	--------

**STEP 8** Install 1Pcs No. A screw into the corresponding hole on the other side of panel No. 2.



A\*1PC

**STEP 9** Install the 2Pcs No. A screws into the corresponding holes in panel No. 3, then insert the 4Pcs No. K wood plugs into the holes on the side of panel No. 3.

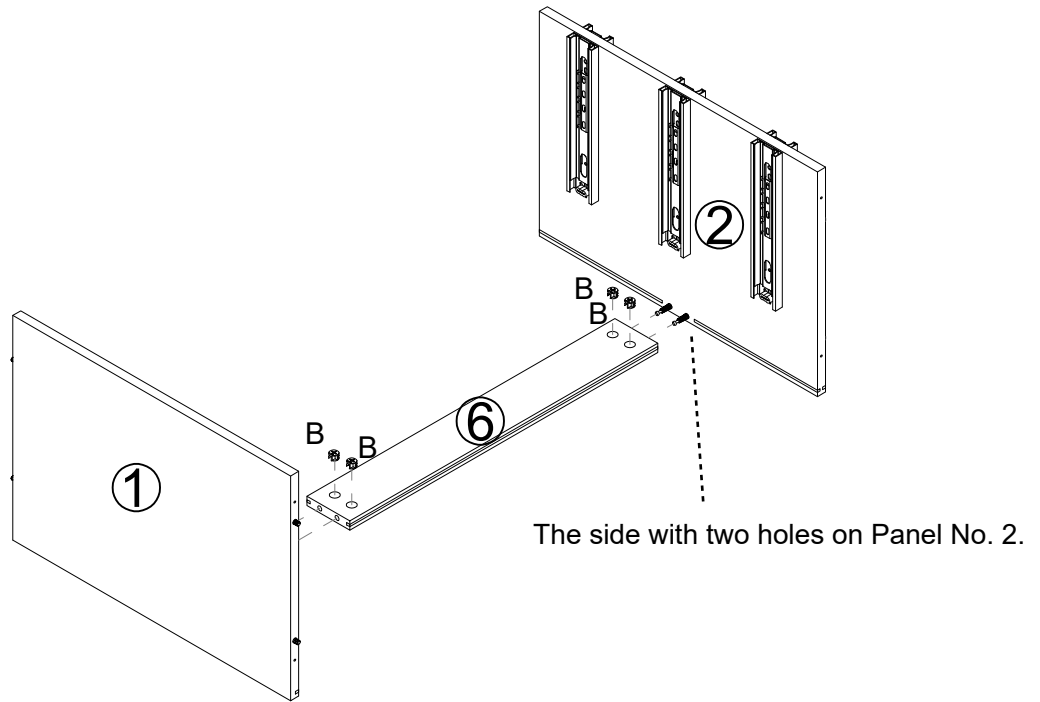


A\*2PCS



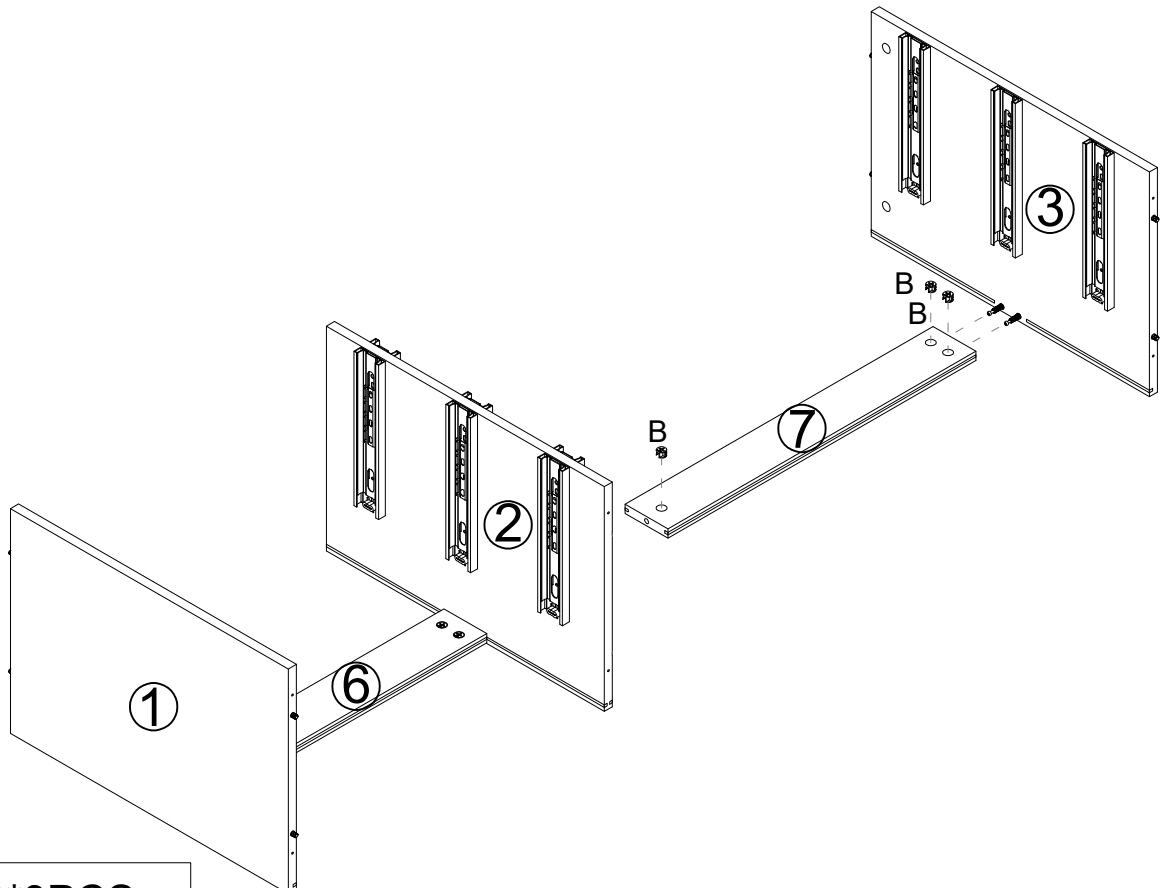
K\*4PCS

**STEP 10** Use 4Pcs No. B screws to install panel No. 6 on panels No. 1 and No. 2. Make sure the side with the hole on panel No. 6 faces inwards. (If you are unsure how to install the No. A screws, refer to page 9)



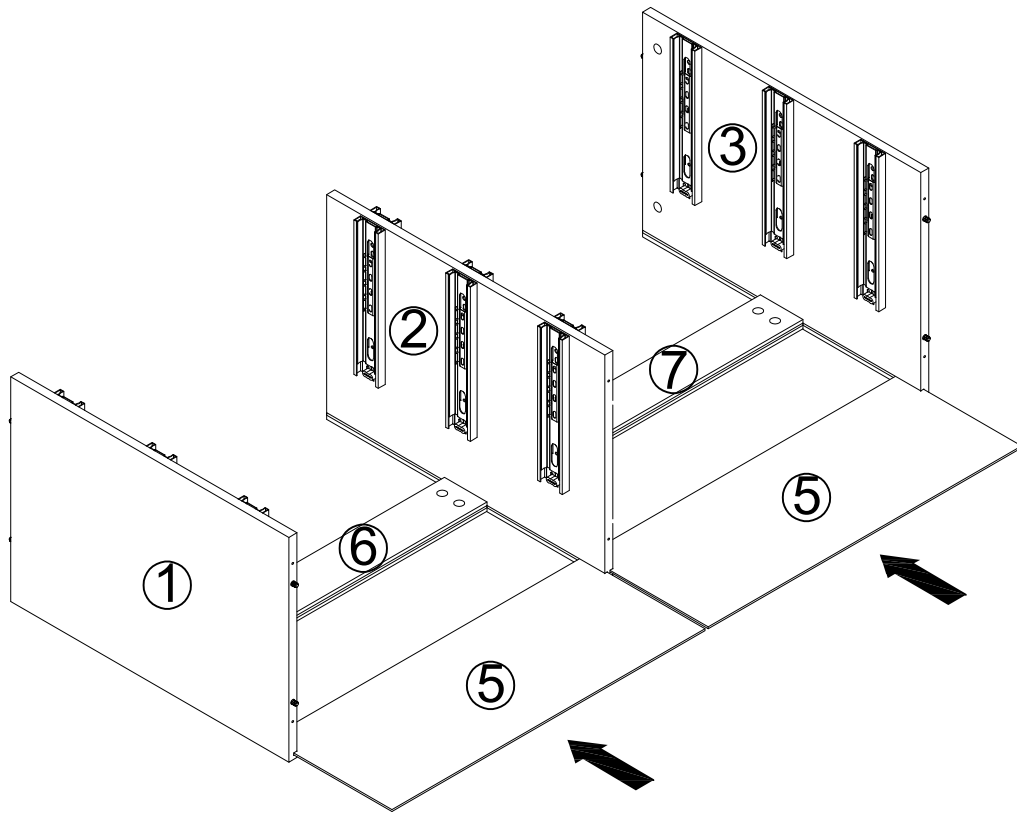
B\*4PCS

**STEP 11** Use 3Pcs No. B screws to install panel No. 7 on panels No. 2 and No. 3. Make sure the side with the hole on panel No. 7 faces inwards.

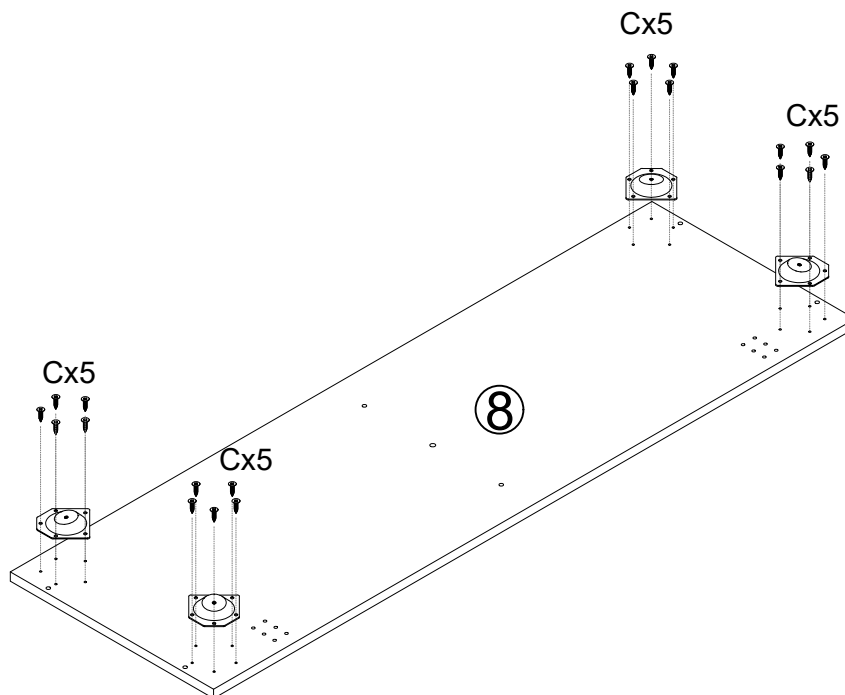




B\*3PCS

**STEP 12** Insert the 2 No. 5 panels into the grooves of panels No. 1, No. 2, and No. 3, ensuring they are fully inserted into the grooves of panels No. 6 and No. 7.

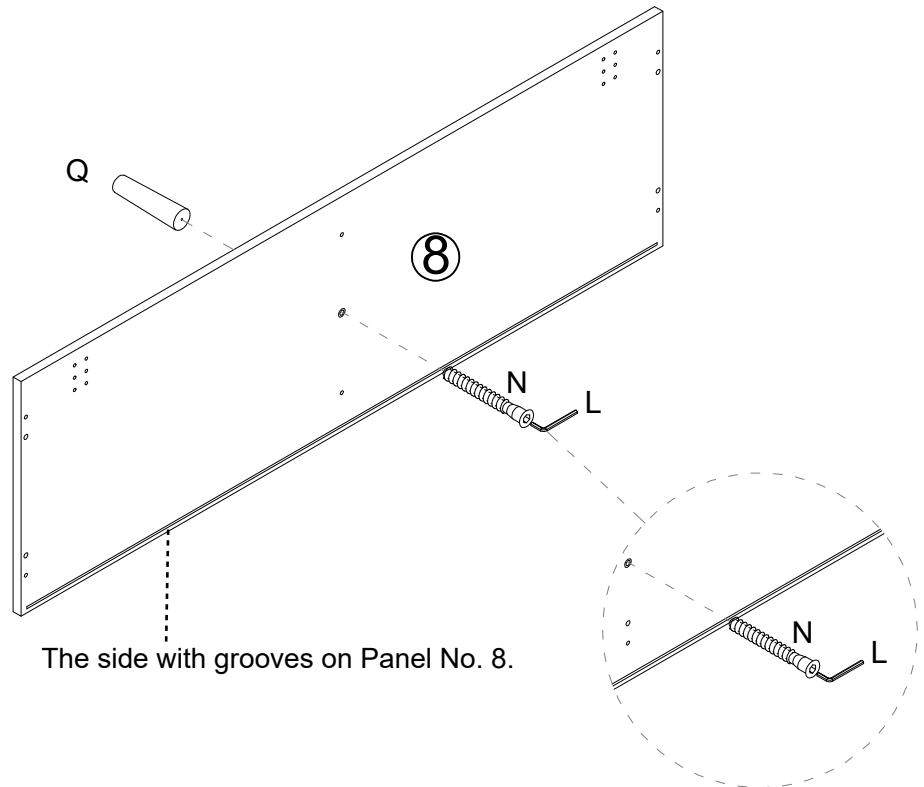


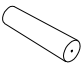

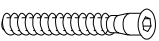
**STEP 13** Use 20Pcs No. C screws to install the iron plate No. O on Panel No. 8.



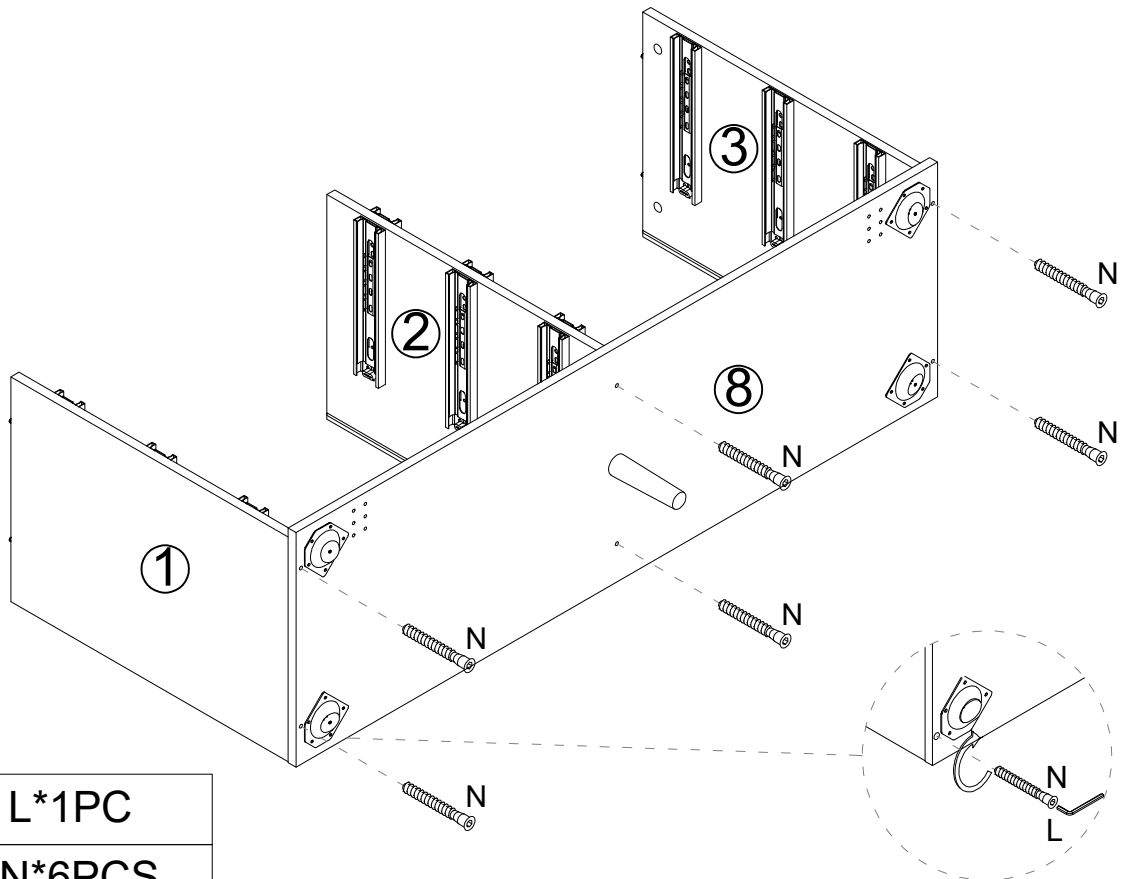
	O*4PCS
	C*20PCS


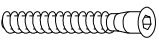
**STEP 14** Use 1Pcs No. N screw to install support foot No. Q on the side of Panel No. 8 without a groove.



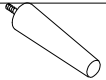
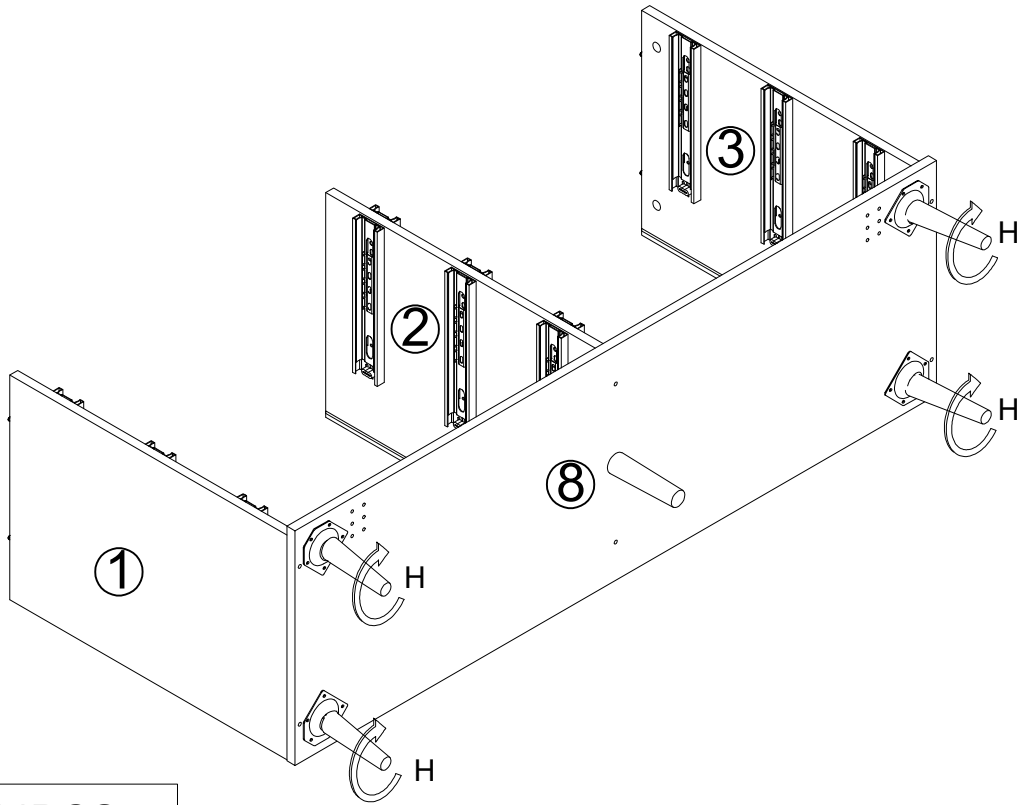
	Q*1PC
	L*1PC
	N*1PCS

**STEP 15** Use 6Pcs No. N screws to install Panel No. 8 on the Dresser. Before tightening the screws, ensure that panel No. 5 is properly secured in the groove of panel No. 8.



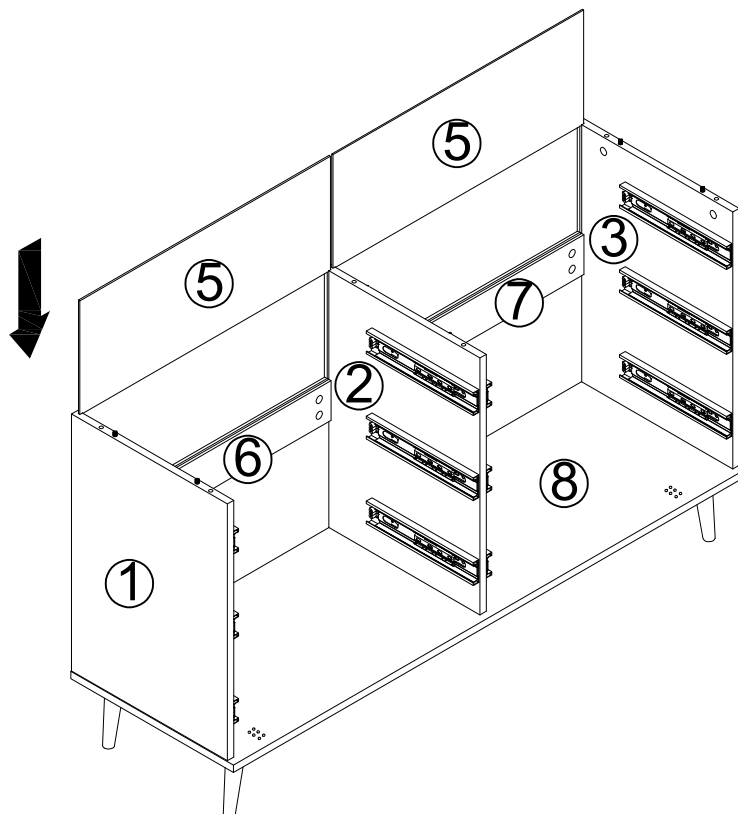
	L*1PC
	N*6PCS

**STEP 16** Install the support leg No. H into the hole of iron sheet No. O.

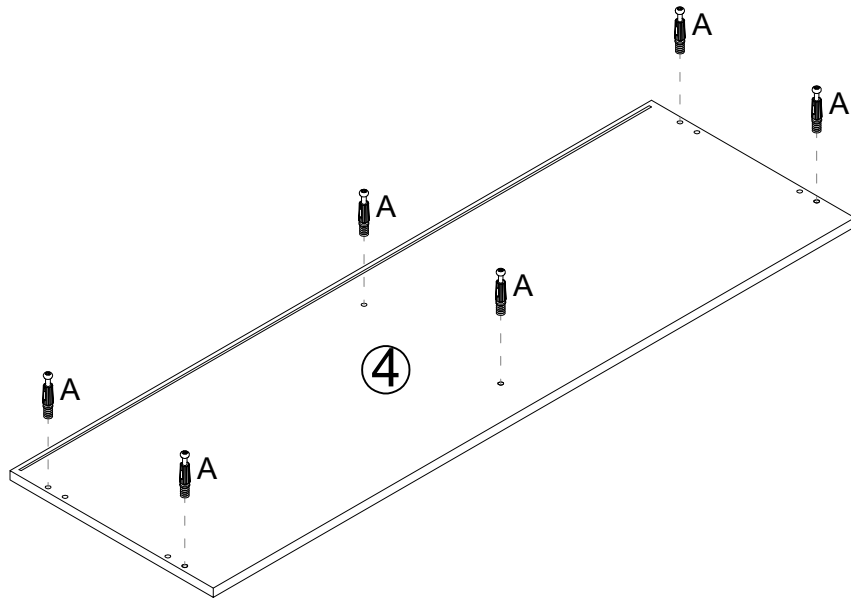


H\*4PCS

**STEP 17** Insert the 2 No. 5 panels into the grooves of panels No. 1, No. 2, and No. 3, ensuring they are fully inserted into the grooves of panels No. 6 and No. 7.

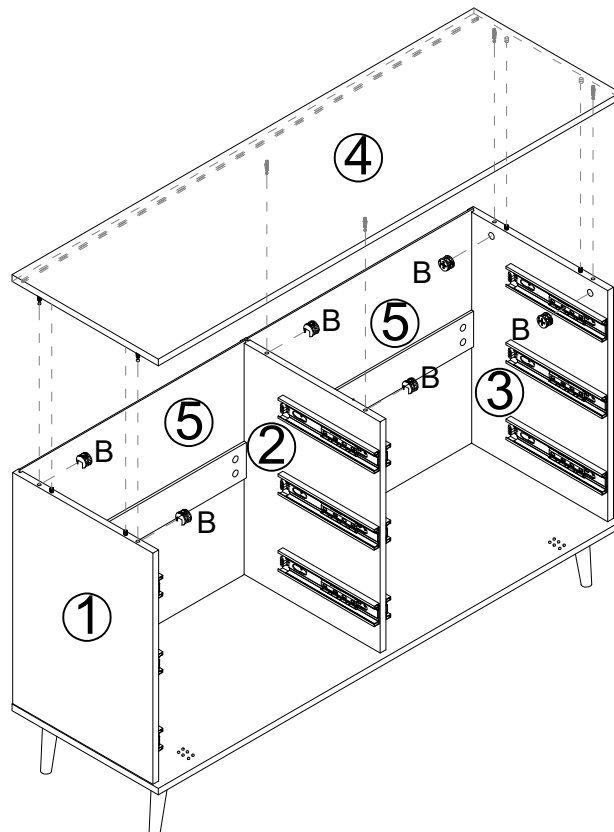


**STEP 18** Install 6Pcs No. A screws in the corresponding holes of panel No. 4.



A\*6PCS

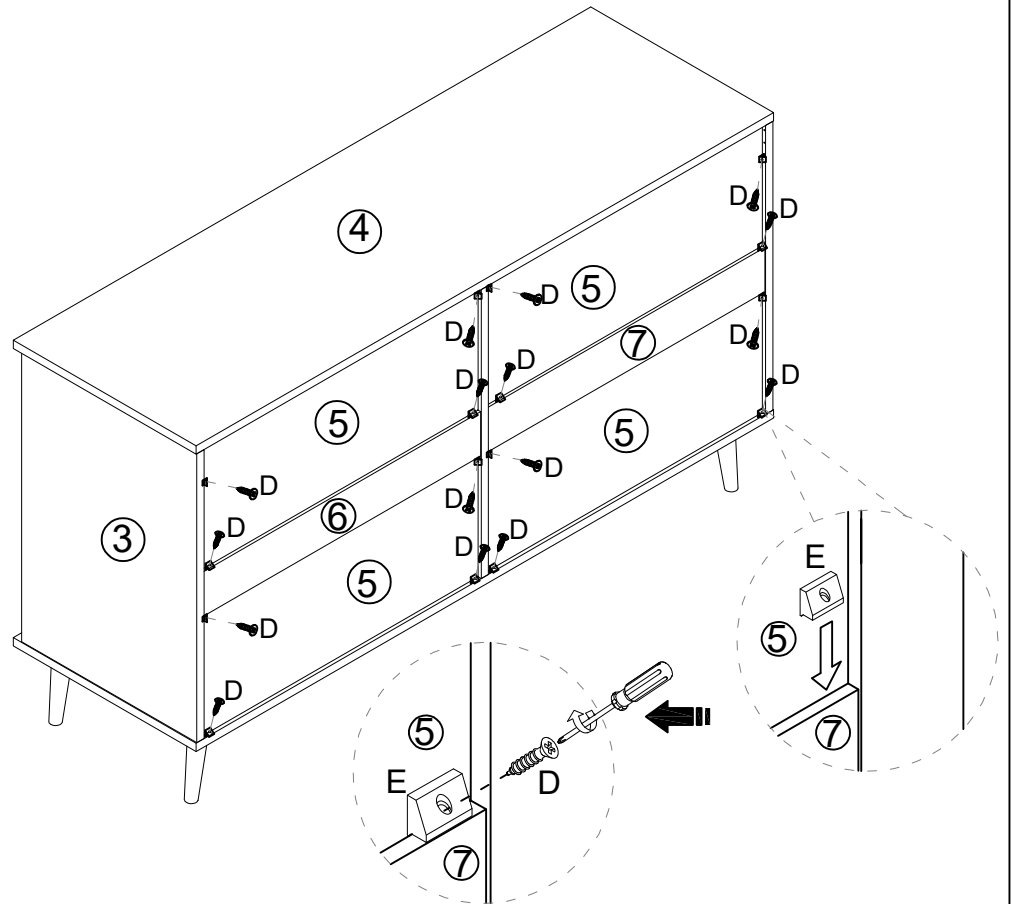
**STEP 19** Use 6Pcs No. B screws to install panel No. 4 on the Dresser. Before tightening the screws, ensure that panel No. 5 is inserted into the groove of panel No. 4 .





B\*6PCS

## STEP 20

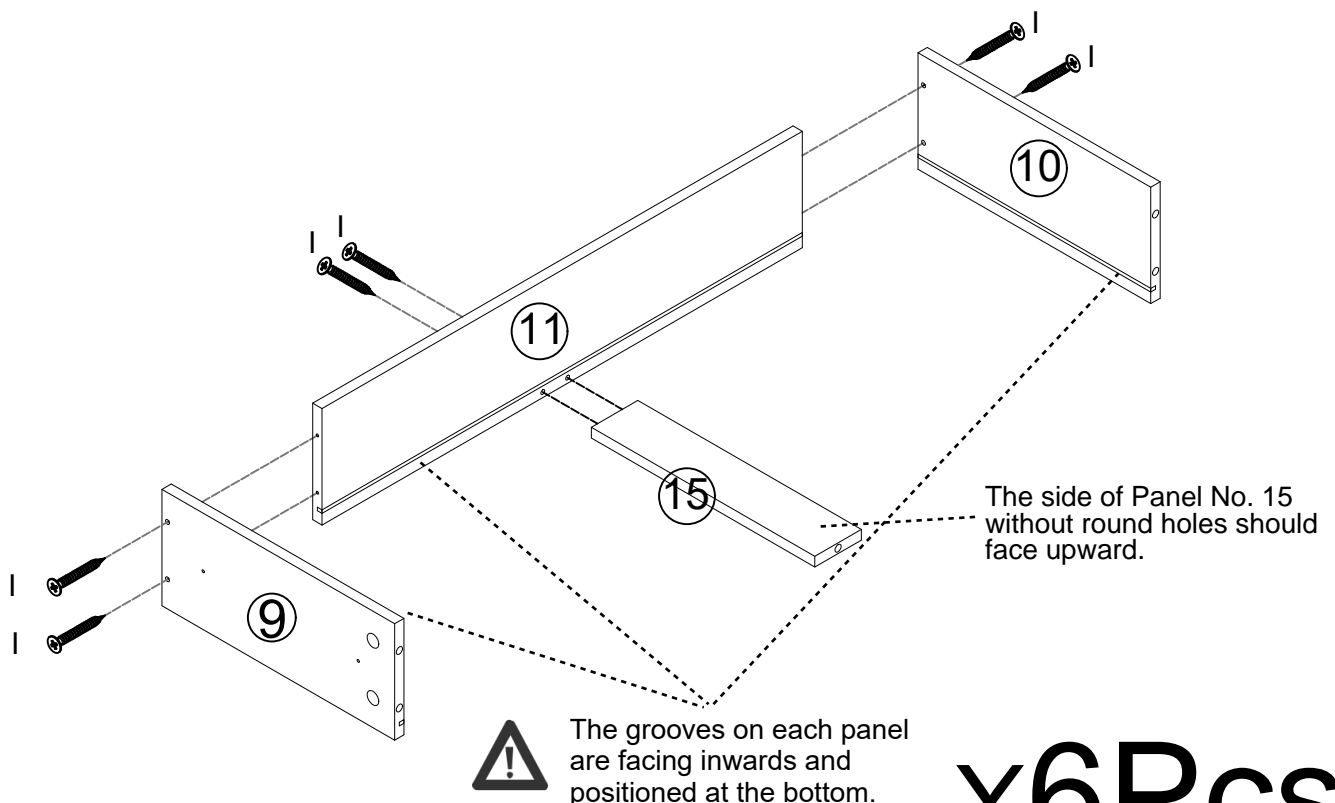
Use 16Pcs No. D screws to install the No. E plastic buckles in the designated positions (as shown in the diagram; please note that there are no pre-drilled holes at these locations). Installing the plastic buckles will enhance the stability of the dressing table and help prevent wobbling.




	D*16PCS
	E*16PCS

## STEP 21

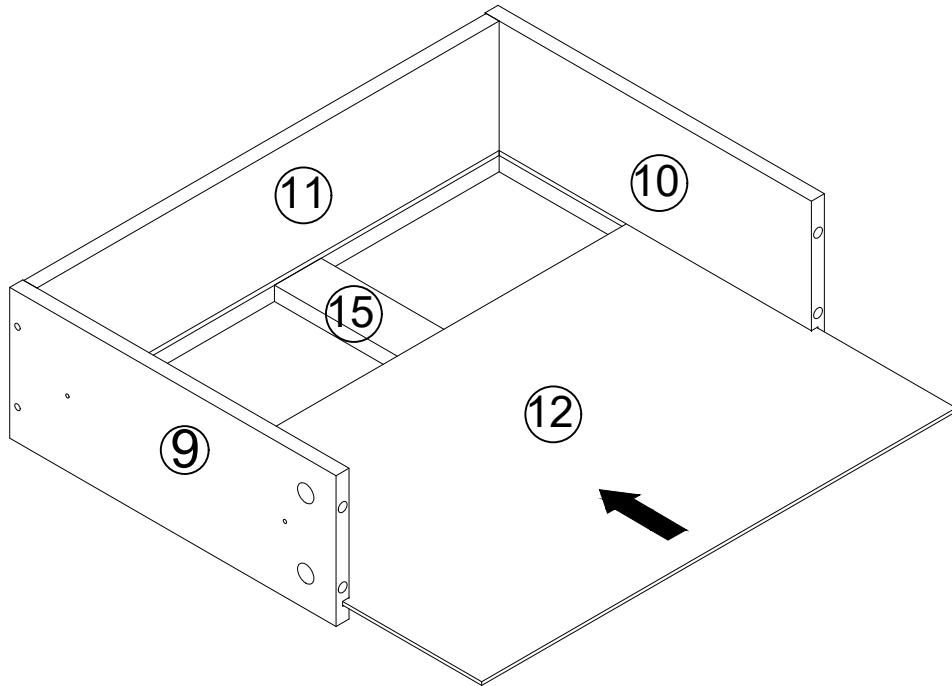
Use 6Pcs No. I screws to attach Panels No. 9, No. 10, No. 11, and No. 15 together. When installing, ensure that the grooves on each panel are facing inwards and positioned at the bottom. Please note that there are 6 Pcs drawers that require assembly.



	I*36PCS
---	---------

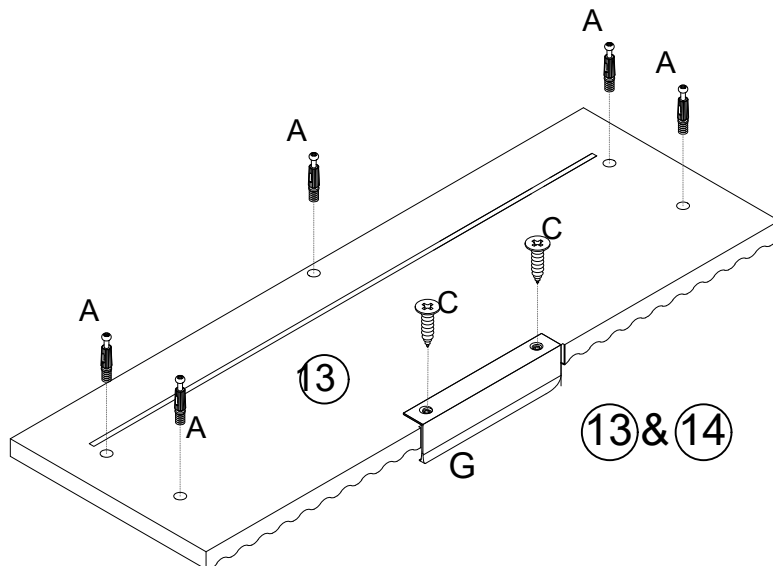
# x6Pcs

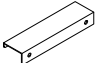


**STEP 22** Insert Panel No. 12 into the grooves of Panels No. 9, No. 10, and No. 11. Please note that there are 6Pcs drawers that require assembly.



**x6Pcs**

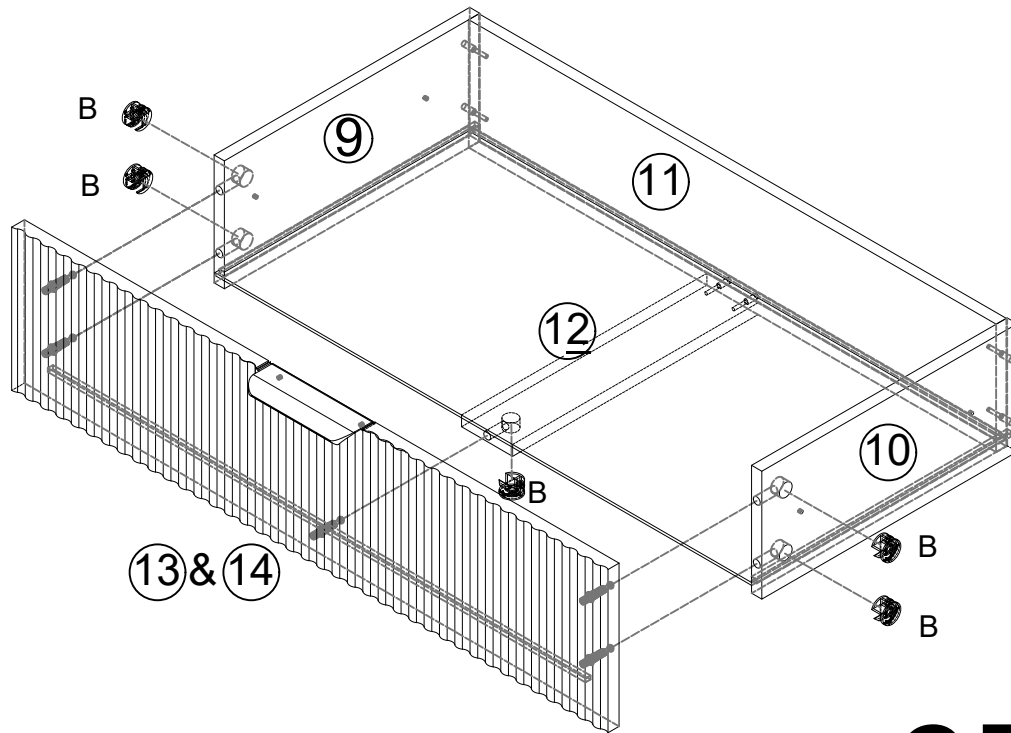
**STEP 23** Install 5Pcs No. A screws on Panel No. 13, then use 2Pcs No. C screws to install Handle G on Panel No. 13. Please note that there are 6 Pcs drawers that need to be assembled.



	G*6PCS
	C*12PCS
	A*30PCS

**x6Pcs**

**STEP 24** Use 5 Pcs No. B screws to attach Panel No. 13 or Panel No. 14 to Panels No. 9, No. 10 and No. 12. Before tightening the screws, ensure that Panel No. 12 is properly inserted into the groove of Panel No. 13 or No. 14. Please note that there are 6 Pcs drawers that need to be assembled.

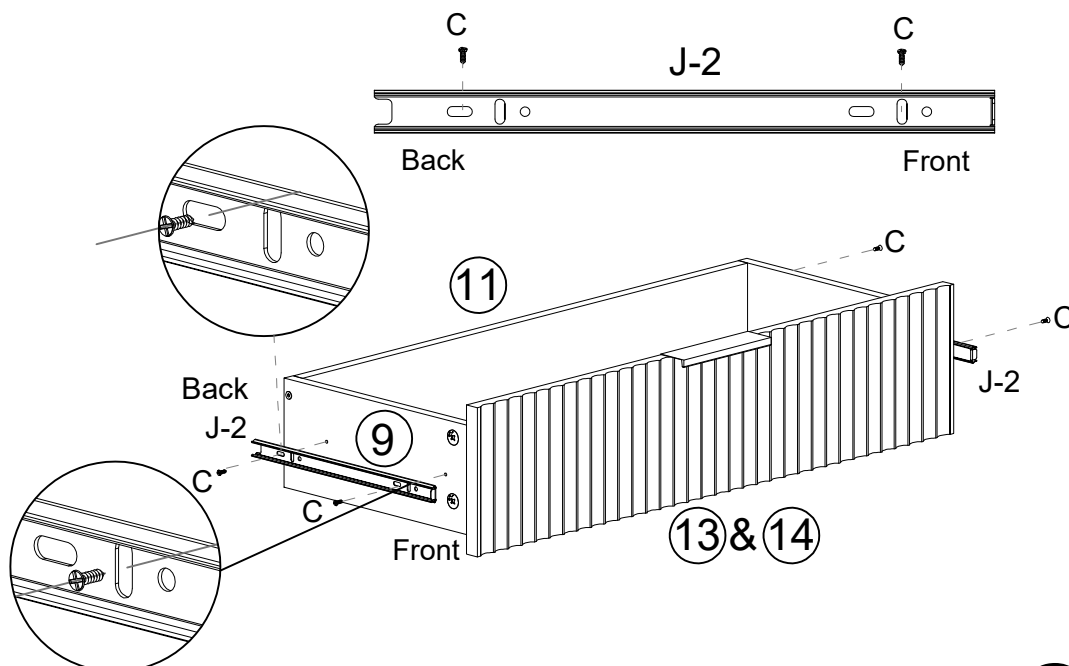


**x6Pcs**



**B\*30PCS**

**STEP 25** Use 4 Pcs No. C screws to mount the inner rail J-2 to Panels No. 9 and No. 10. Ensure that the mounting holes are in the correct position. Please note that there are 6 Pcs drawers that need to be assembled.



**x6Pcs**



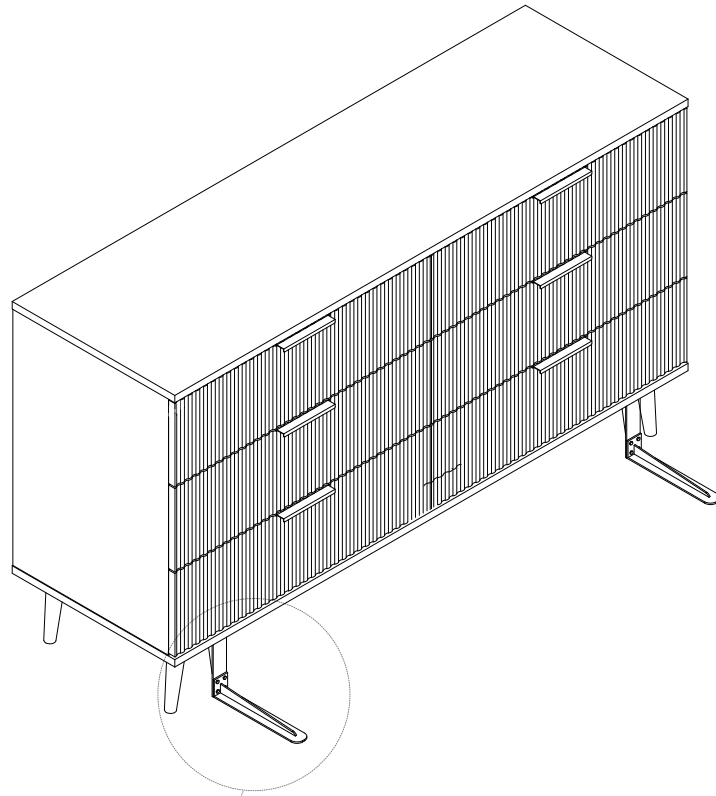
**C\*24PCS**



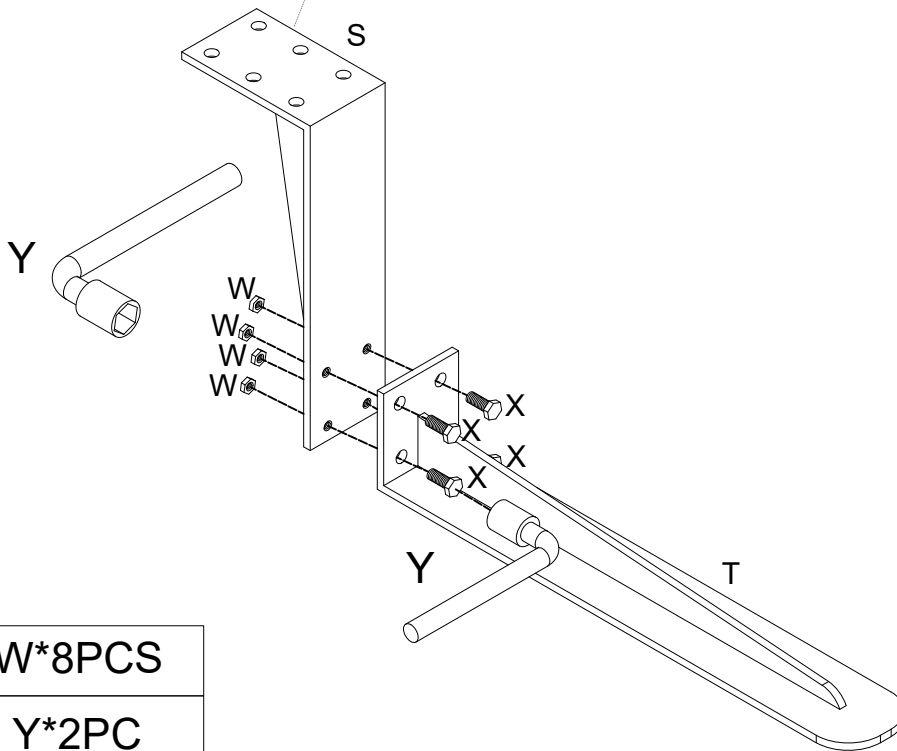
**J-2\*12SET**




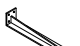

**STEP 26**

Use 4Pcs No. X screws and 4Pcs No. W screws to connect Part S and Part T together to form the anti-tip support legs. (This step requires 2Pcs No. Y wrenches.)



Installing the metal support feet can effectively reduce the risk of the furniture tipping forward.



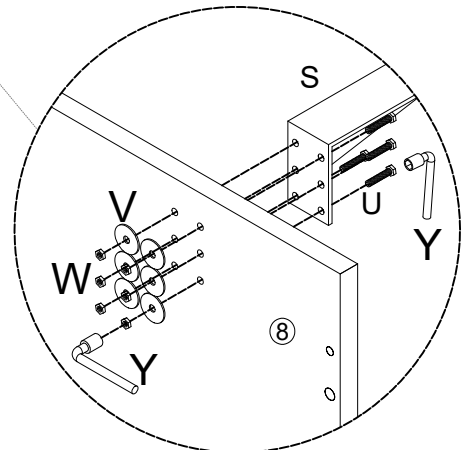
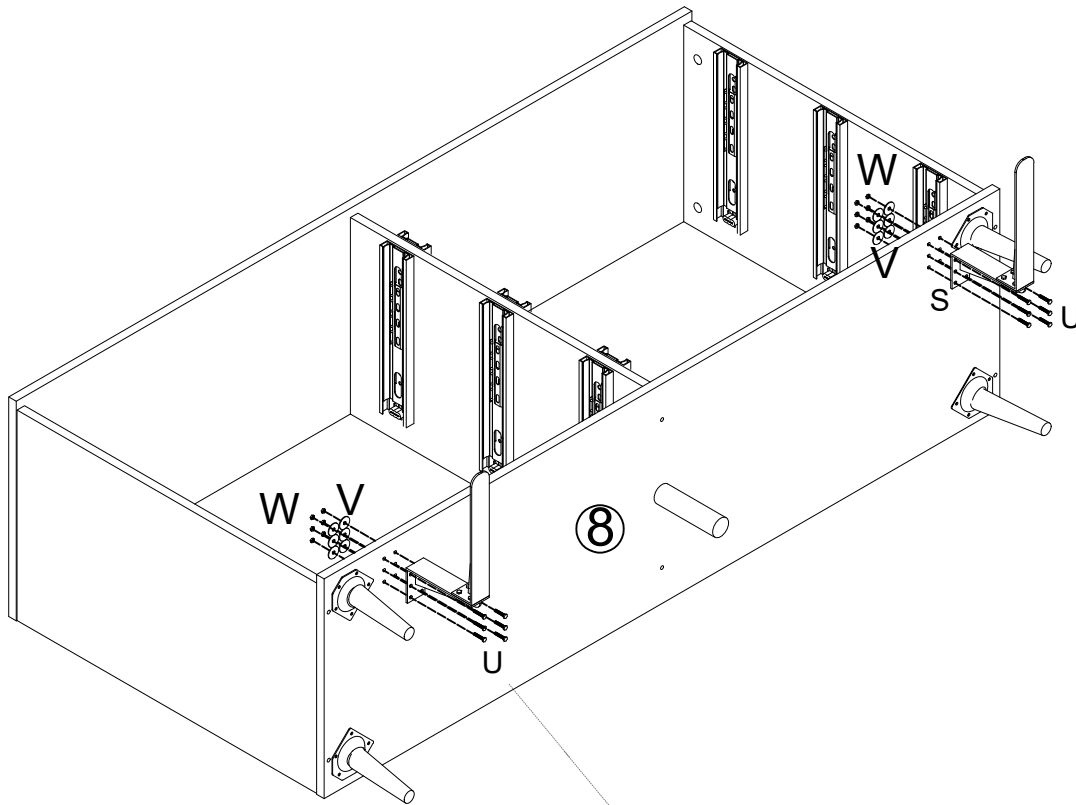
	W*8PCS
	Y*2PC
	S*2PCS
	T*2PCS
	X*8PCS

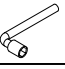



**x2Pcs**

**STEP 27** First, insert 6Pcs No. U screws through the 6 holes on Part S, then pass them through Panel No. 8 and the No. V washers in sequence. Finally, secure them with 6Pcs No. W nuts. (This step requires 2Pcs No. Y wrench.) Installing the anti-tip support legs can effectively prevent the furniture from tipping forward when the drawers are fully extended. If there are children at home, please make sure to install them for safety.



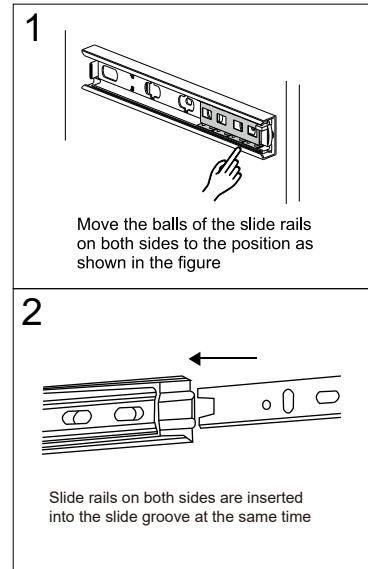
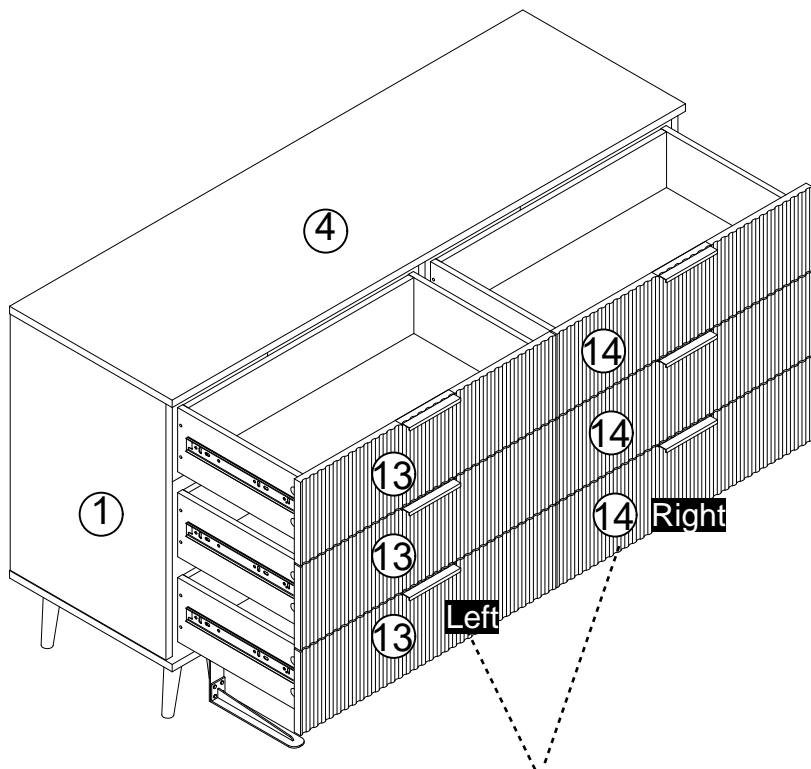
Installing the metal support feet can effectively prevent the risk of furniture tipping forward if a child attempts to climb on it.



	Y*2PC
	U*12PCS
	V*12PCS
	W*12PCS

## STEP 28

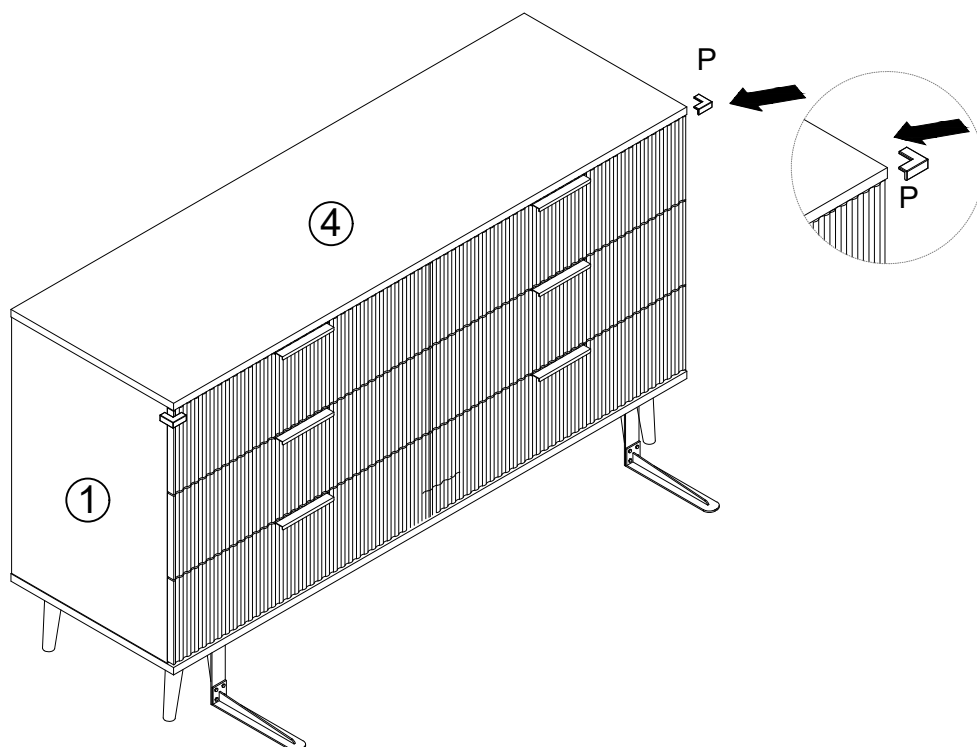
Note: When assembling the inner rail (No. J-2), first insert it into the plastic clip, then push the inner rail (No. J-2) parallel to the outer rail (No. J-1). Forcing it in may cause the rail ball to fall off or deform. If the rail is damaged, please contact us promptly, and we will provide a new one for **Free!**



Please note that drawer No. 13 is installed on the left and drawer No. 14 is installed on the right. Do not confuse them.

## STEP 29

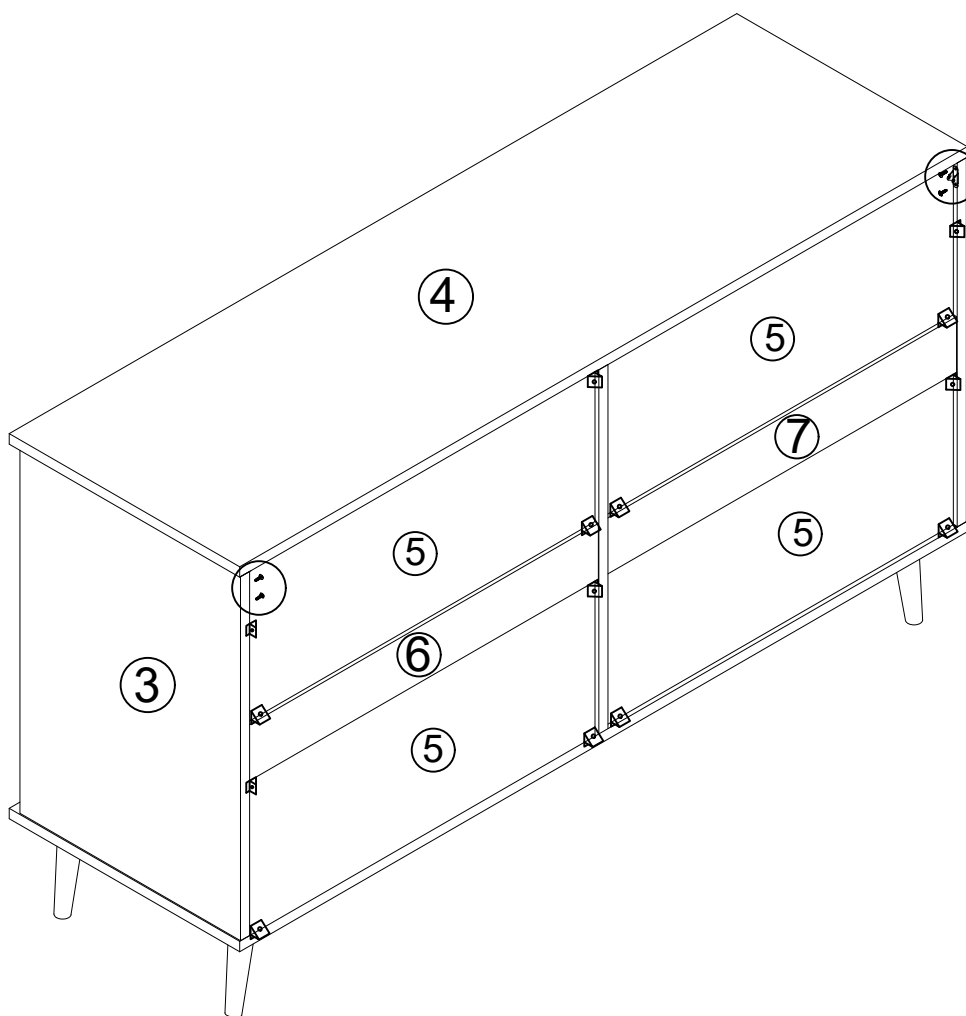
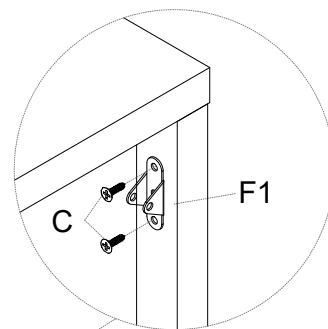
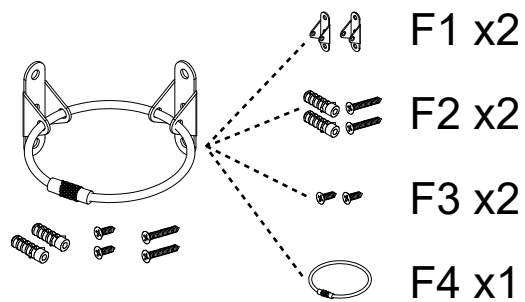
Install silicone protective sleeves (No. P) on both corners of the chest of drawers to protect against sharp edges.





P\*2PCS

# STEP 30

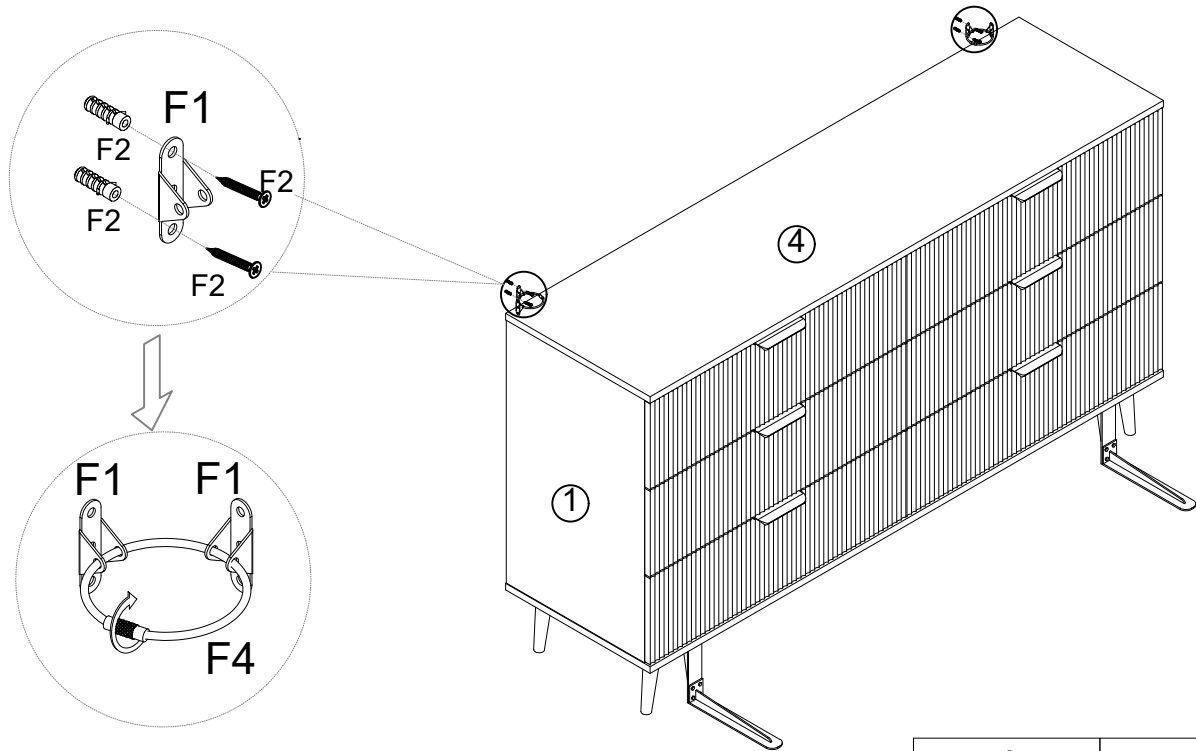
First, divide the F parts into F1, F2, F3, and F4 according to the shapes shown in the picture . Then, use 4 Pcs No. C screws to install F1 on the back of Panels No. 1 and No. 3.



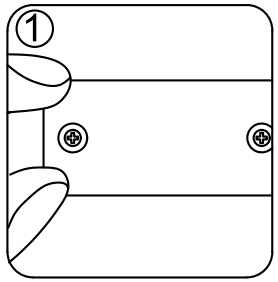
	F1*2PCS
	C*4PCS

# STEP 31

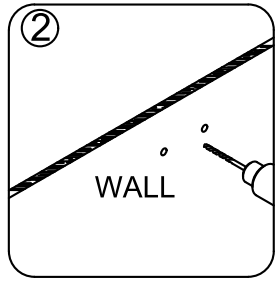
Furniture tipping over can cause serious injury to young children. You must install anti-tip device hardware (No. F) on the equipment to prevent it from tipping over and causing an accident or damage. Anti-tip devices are intended only as a prevention; they are not a substitute for proper adult supervision.



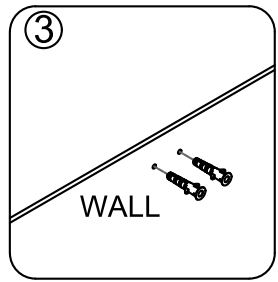
	F1*2PCS
	F2*4PCS
	F4*2PCS



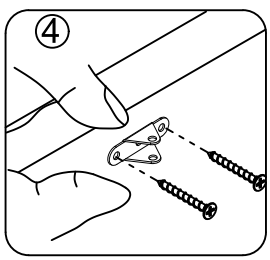
1. Make mark on the wall



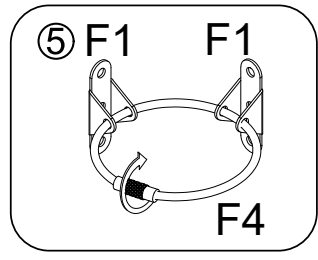
2. Drill two Ø6 holes on the wall



3. Put two anchors in the holes



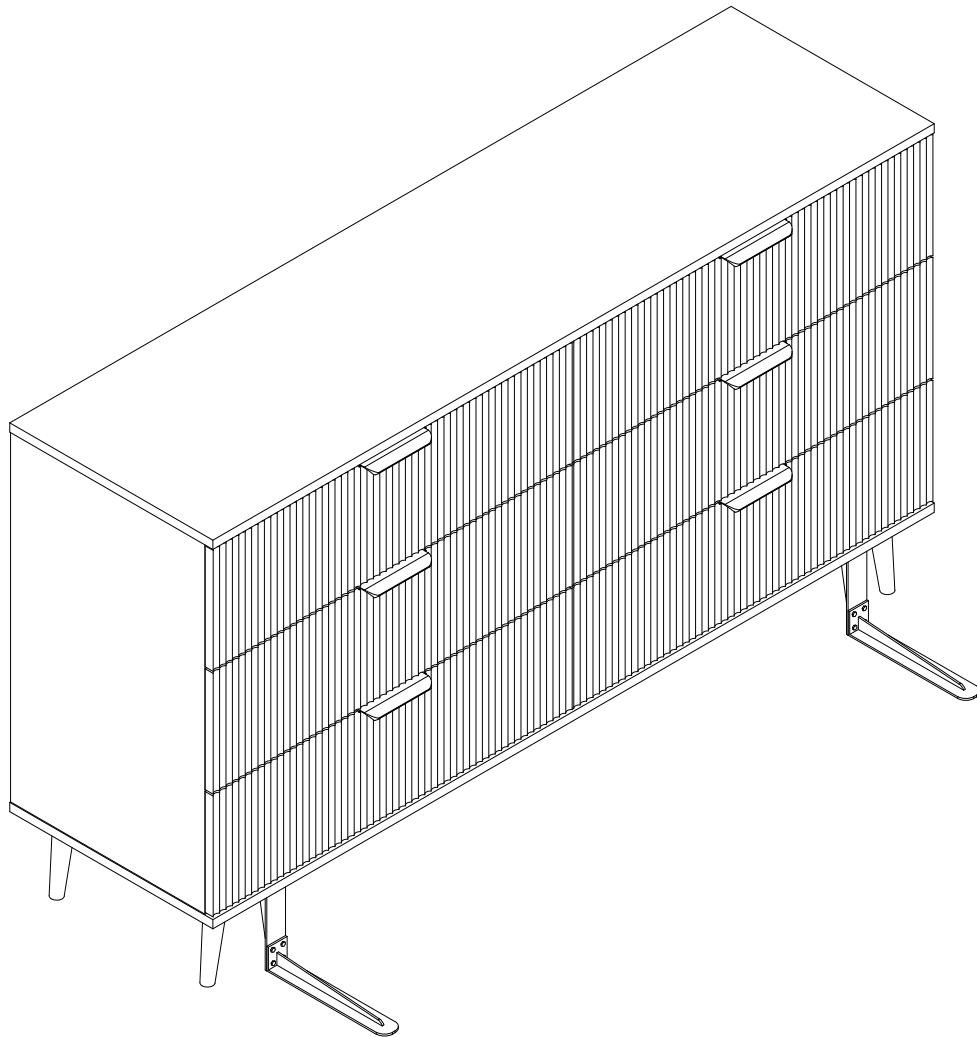
4. Fix the device(F1) on the wall by the long screws(F2)



5. Push the Dresser close to the wall so that the two bases are close to each other, and then put on tie (F4) to tighten it.



Wow, you assembled the Dresser incredibly well!  
It looks amazing !  
You really did it!  
You've completed a great challenge!



# Care Instructions



Your furniture, if treated with respect and love, will last you a long time. Each piece requires light maintenance to maximize its longevity.

## Few quick tips before using this product

1. Recommended weight limit for the table top is 133lbs and 44lbs for each drawers.
2. Do not open more than 2 drawers at the same time without install the tipping restraint hardware, otherwise there is a risk of tipping.
3. When storing heavier items, place them as close to the bottom drawer as possible for stability.
4. Check and tighten the camlock and screw periodically as it may loose over the time.

## How to take care of it?

1. Avoid direct sunlight or use curtains or blinds to limit the sun exposure to the product.
2. Clean the product regularly with a dry, soft cloth.
3. Avoid using abrasive or liquid cleanser.
4. Avoid placing hot objects onto the table top surface.
5. Spillage may damage the surface. Clean immediately with a dry cloth.
6. We recommend using placemats or coasters underneath glasses, cups, bowls or plates to prevent scratches to the table surface.

# Frequently Asked Questions



## 1. What should I do if my order is incomplete?

Our products ship flat-packed in separate boxes. When your order leaves, you 'll get an email with tracking details. Keep in mind that may deliver your boxes separately, so wait until you have them all before you start assembling.

## 2. What should I do if my shipment is damaged or items are defective?

We 're really sorry if you received a damaged or defective item. Send a description and some photos or videos of the damage, and we 'll sort it out as quickly as possible.

## 3. Can I order replacement parts?

Yes! Just get in touch with our customer service at via chat. Tell us your order ID, and we 'll help you with the parts you need.<sup>1</sup>

## 4. What warranty do you offer?

Our warranty covers damage that isn 't caused by user error. We 'll review the damage within 24 hours and work for you to find a solution.

## 5. Why is there lubricant on the drawer slides?

No worries! The drawer slides are lubricated at the factory to ensure smooth movement and to help them last longer. This is completely normal.

## 6. Why does the new furniture have an odor?

A slight smell is normal with new furniture due to the materials and packaging. It should fade away after a few days of airing out.

## 7. Why is there a slight color difference in my furniture?

The color may appear different under varying lighting conditions and display settings. In dim lighting, the wood grain may look darker. This is completely normal and just part of the natural characteristics of the material.

## 8. My furniture seems smaller than expected. What should I do?

Our product dimensions are accurate. Pictures often focus closely on the item, which can make it appear larger than it really is. When placed in a bigger room, the furniture might seem smaller. Room layout and screen settings can also affect your perception of size. If you have any concerns or need more details

We're here to help!

## 9. What should I do if I want to return the product?

We offer a 30-day return policy from when you receive your order. To start a return, please contact us through let us know why you 're returning the item, and we 'll help you out.

## **WARNING**



**Children have died from furniture tipover. To reduce the risk of furniture tipover:**

- ALWAYS install Anti-tip device provided.
- NEVER put a TV on this product.
- NEVER allow children to stand, climb or hang on drawers, doors, or shelves.
- NEVER open more than one drawer at a time.
- Place heaviest items in the lowest drawers.



*This is a permanent label.  
Do not remove!*