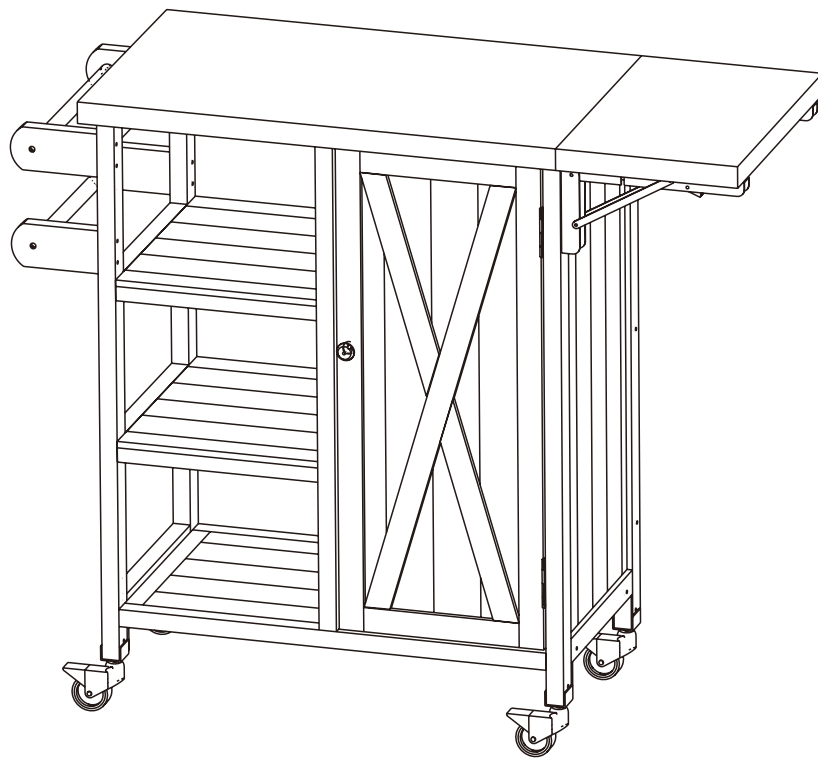


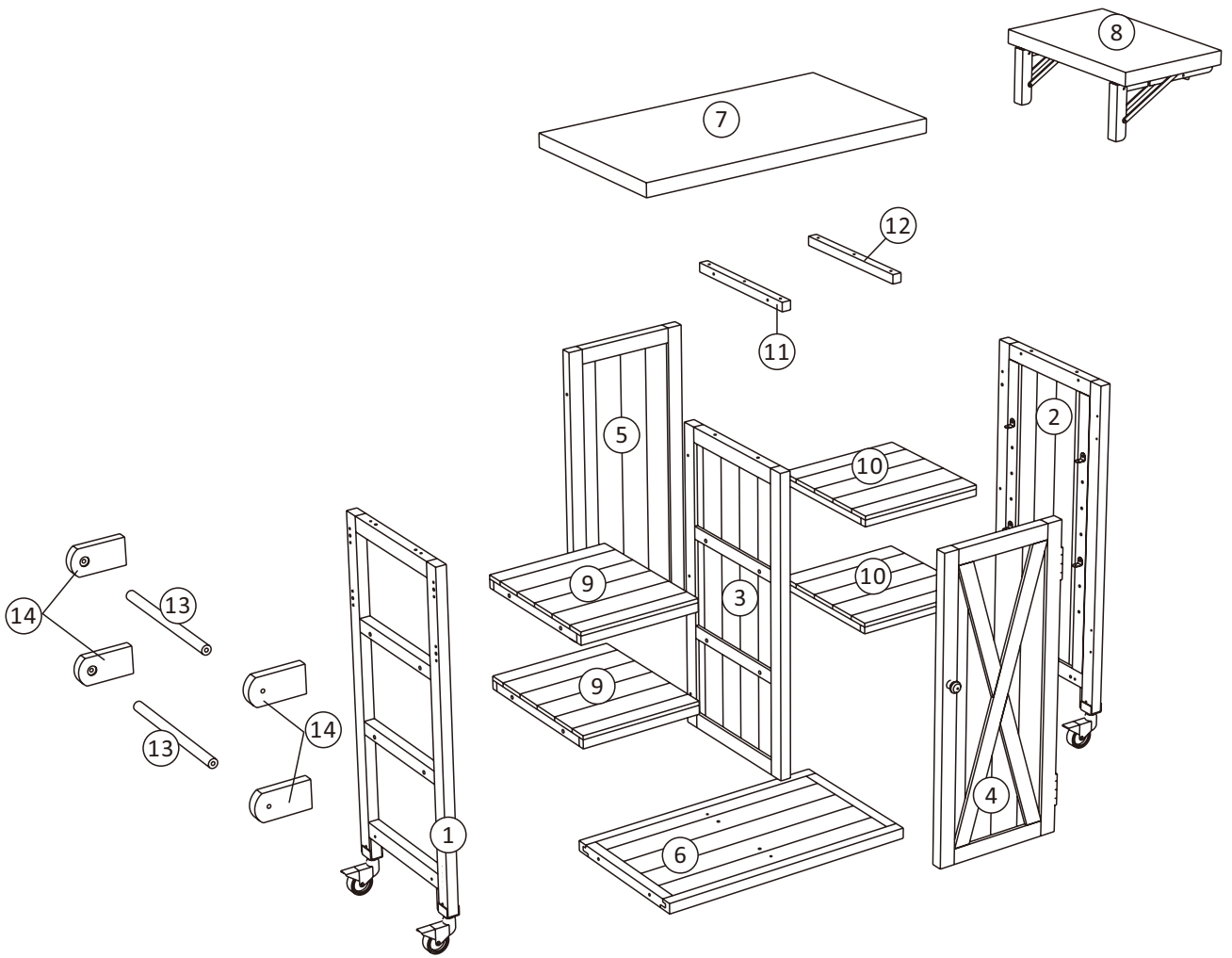
ASSEMBLY INSTRUCTIONS

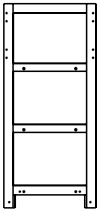
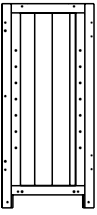
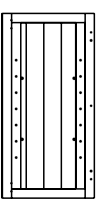
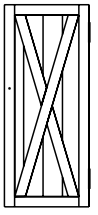
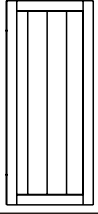
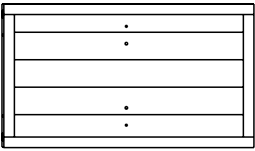
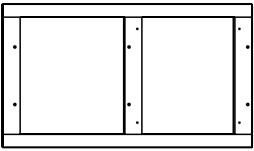
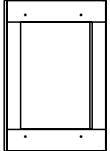


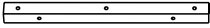
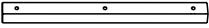
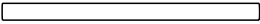
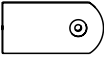


IMPORTANT NOTE:

















- ① PLACE ALL PARTS ON A CLEAN AND SMOOTH SURFACE SUCH AS A RUG OR CARPET TO AVOID THE PARTS FROM BEING SCRATCHED.
- ② BEFORE YOU BEGIN, KINDLY FOLLOW THE ASSEMBLY INSTRUCTIONS STEP BY STEP.
- ③ DO NOT TIGHTEN ALL SCREWS AND BOLTS UNTIL THIS ITEM IS FULLY SET-UP.

Detail View



1		2		3		4	
	1x		1x		1x		1x
5		6		7		8	
	1x		1x		1x		1x
9		10		11		12	
	2x		2x		1x		1x
13		14					
	2x		4x				

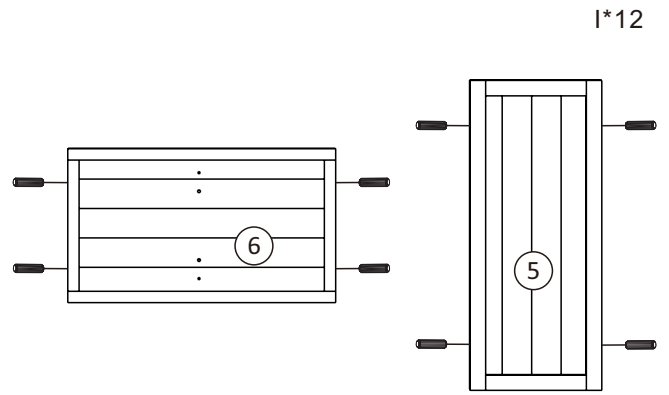
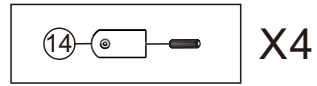
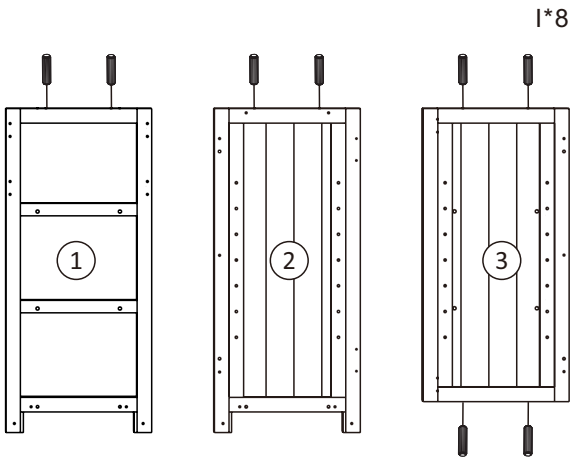
Hardware List

A	 Ø 3.5*50 10x	B	 Ø 3.5*45 12x	C	 Ø 3.5*40 10x	D	 Ø 3.5*25 10x
E	 Ø 3.0*16 10x	F	 Ø 6.0*50 8x	G	 Ø 6.0*30 4x	H	 Ø 4.0*35 4x
I	 20x	J	 8x	K	 2x	L	 1x
M	 4x	N	 2x	O	 1x	P	 1x

ASSEMBLY TOOLS REQUIRED (NOT INCLUDED)



PLEASE BE CAREFUL DO NOT DAMAGE THE HOLE POSITION WHEN YOU USE POWERTOOLS !



1

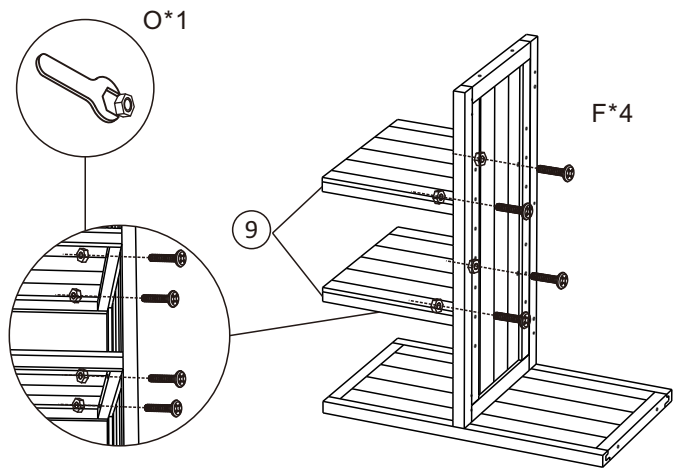
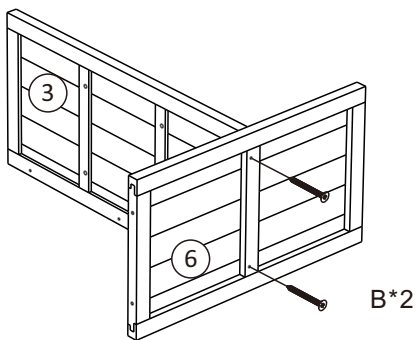


I*8

2



I*12



3

3.5*45MM

B*2

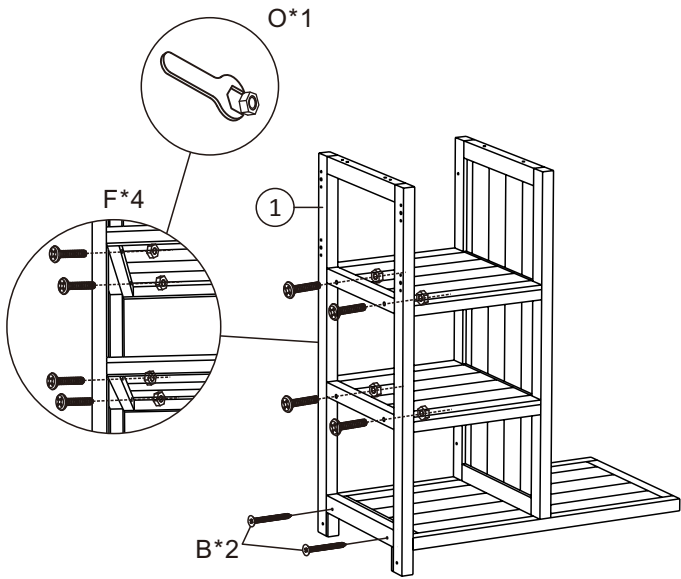
4




6.0*50MM

F*4

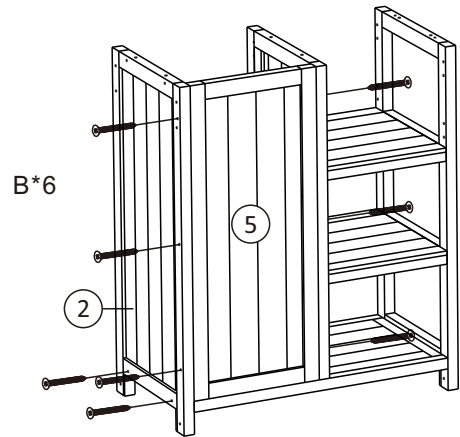



O*1



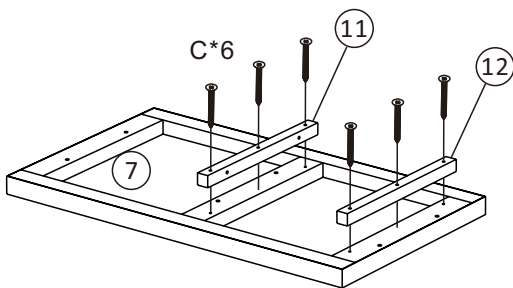
		
3.5*45MM	6.0*50MM	O*1
B*2	F*4	


5



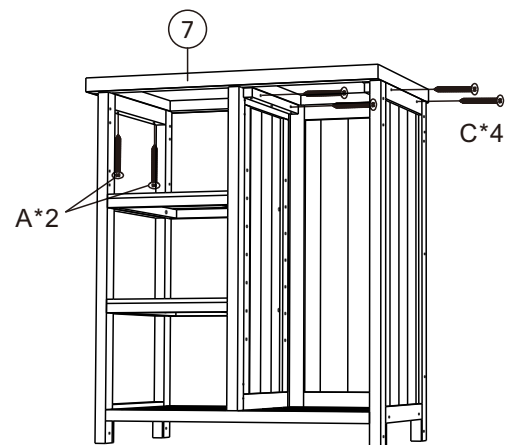

3.5*45MM
B*8



6



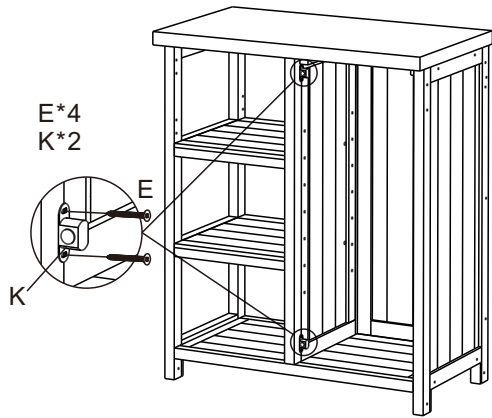

3.5*40MM
C*6

7



	
3.5*50MM	3.5*40MM
A*2	C*4



8



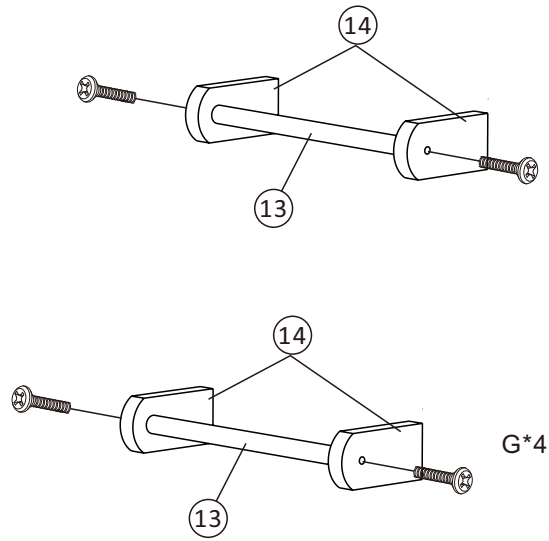
E*4
K*2

E

K

	
3.0*16MM	K*2
E*4	

9



14

13

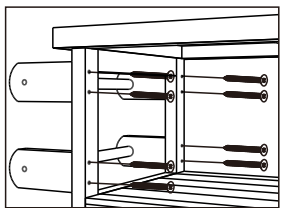
14

13

G*4

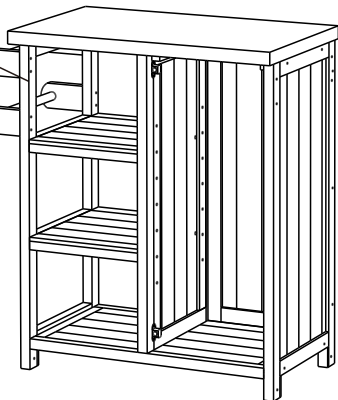

6.0*30MM
G*4


10



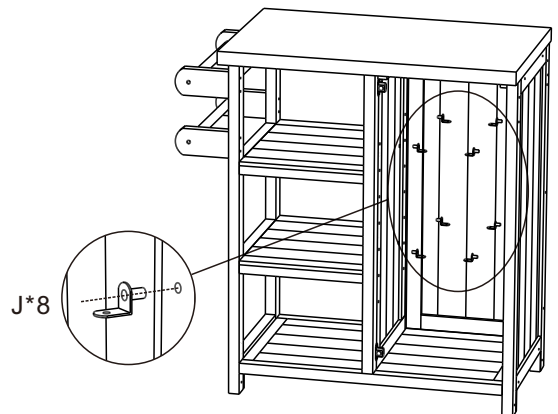
A*8

14





3.5*50MM
A*8

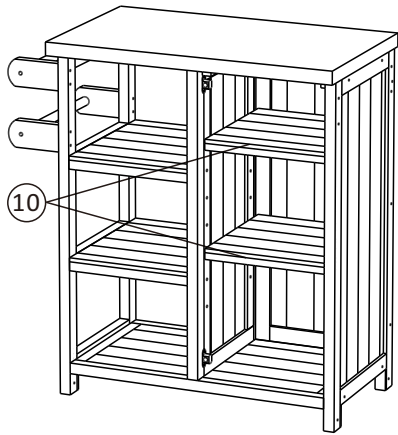
11



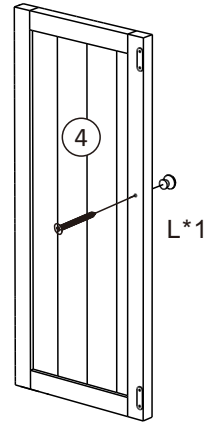
J*8


J*8

12

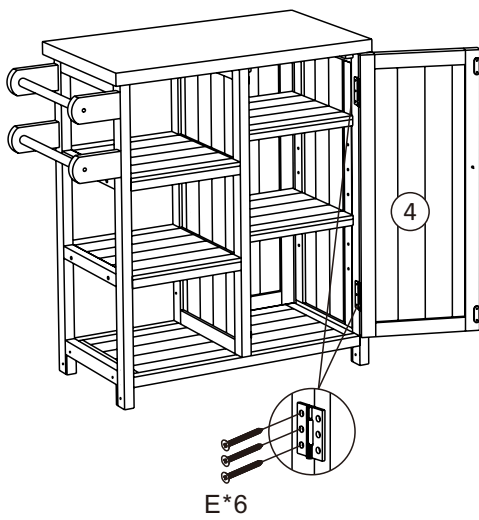


13



14

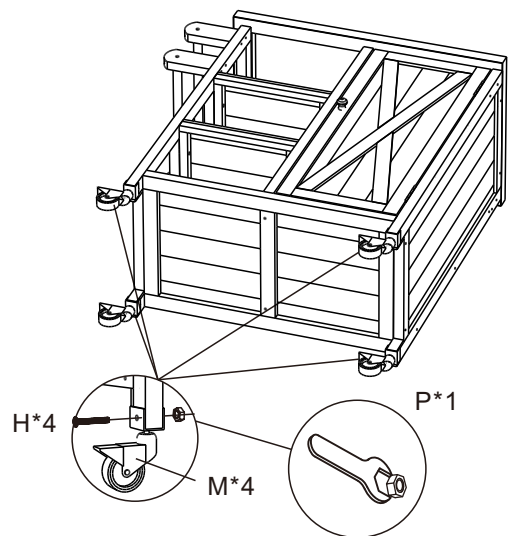
L*1



15

3.0*16MM
E*6

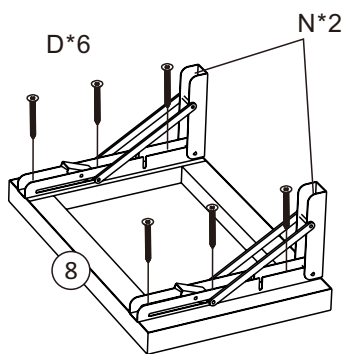
16


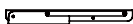


4.0*35MM
H*4

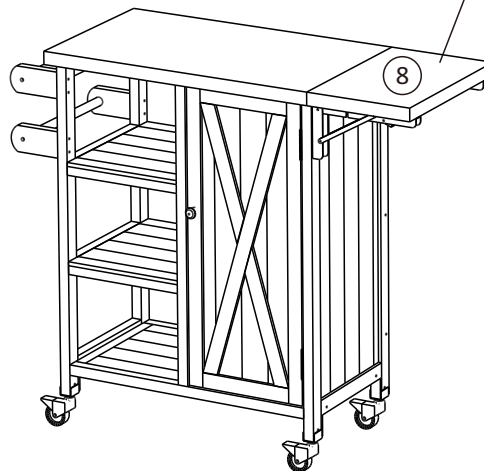
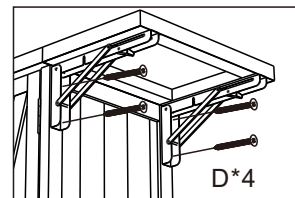
M*4

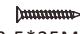
P*1



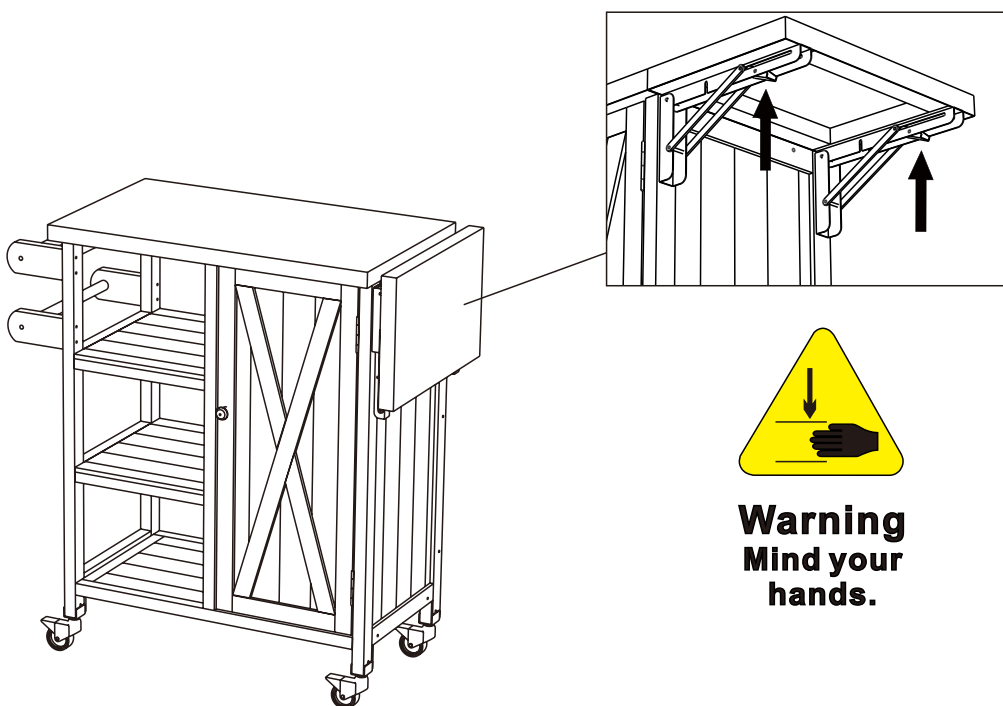
	
3.5*25MM	N*2
D*6	N*2

17




3.5*25MM
D*4

18



Warning
Mind your
hands.

19