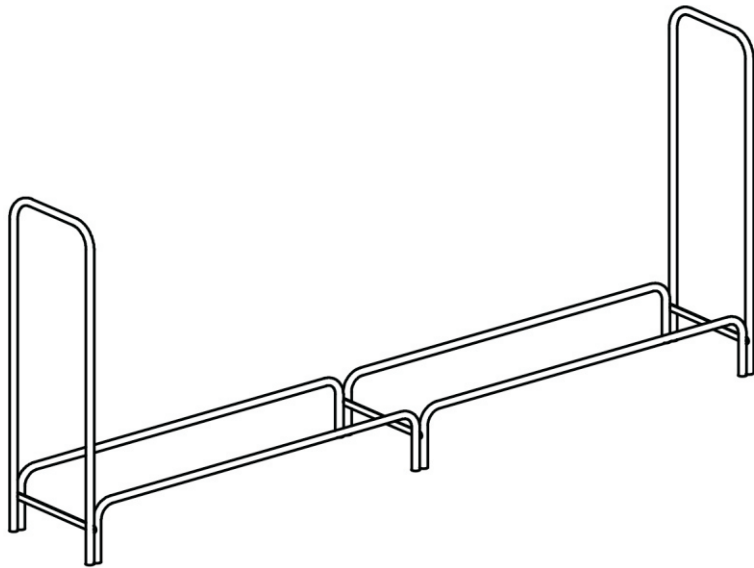
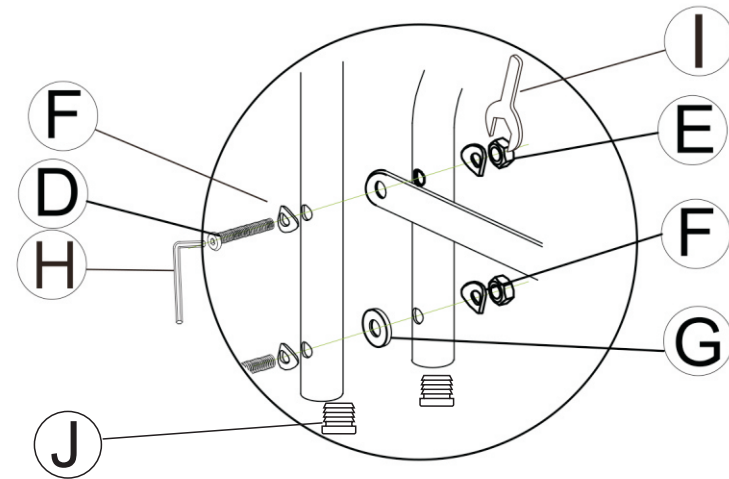


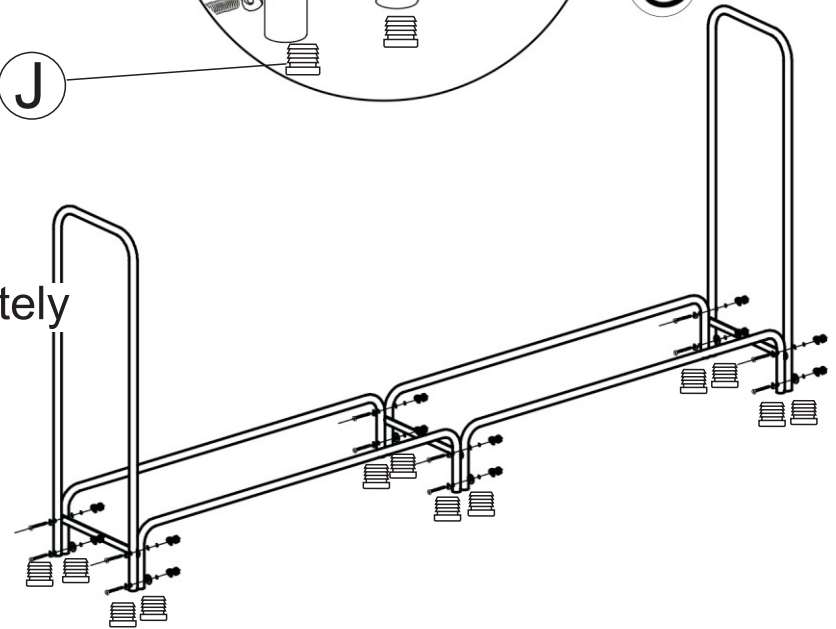
# FIRE WOOD RACK INSTRUCTIONS



Step 2



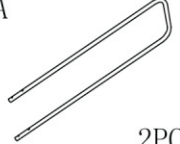




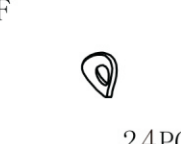

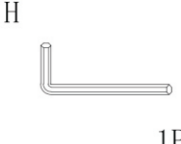


completely



NOTE:

Do not tighten screws completely until assembling is completed

# PARTS LIST

<p>A</p>  <p>2PCS</p>	<p>B</p>  <p>4PCS</p>	<p>C</p>  <p>3PCS</p>	<p>D</p>  <p>12 PCS</p>
<p>E</p>  <p>12 PCS</p>	<p>F</p>  <p>24PCS</p>	<p>G</p>  <p>6PCS</p>	<p>H</p>  <p>1PC</p>
<p>I</p>  <p>1PC</p>	<p>J</p>  <p>12PCS</p>		

PLEASE CHECK THAT YOU HAVE ALL THE PARTS LISTED BEFORE YOU START ASSEMBLING,IF YOU DO FIND THAT SOMETHING IS MISSING,DO NOT CONTINUE ASSEMBLY. PLEASE CONTACT YOUR SUPPLIER IMMEDIATELY.

Step 1.

