

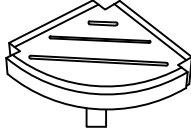
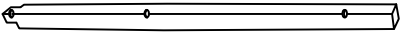

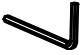


ASSEMBLY INSTRUCTIONS
PRODUCT #8270 (CFV1525)
BATHROOM 3 TIER CORNER SHELF
ASSEMBLY ON A FLAT, PROTECTED SURFACE

PARTS LIST

NO	DESCRIPTION	FIGURE	QTY
1	SHELF TOP		1
2	MIDDLE SHELF		1
3	BOTTOM SHELF		1
4	LEGS		3

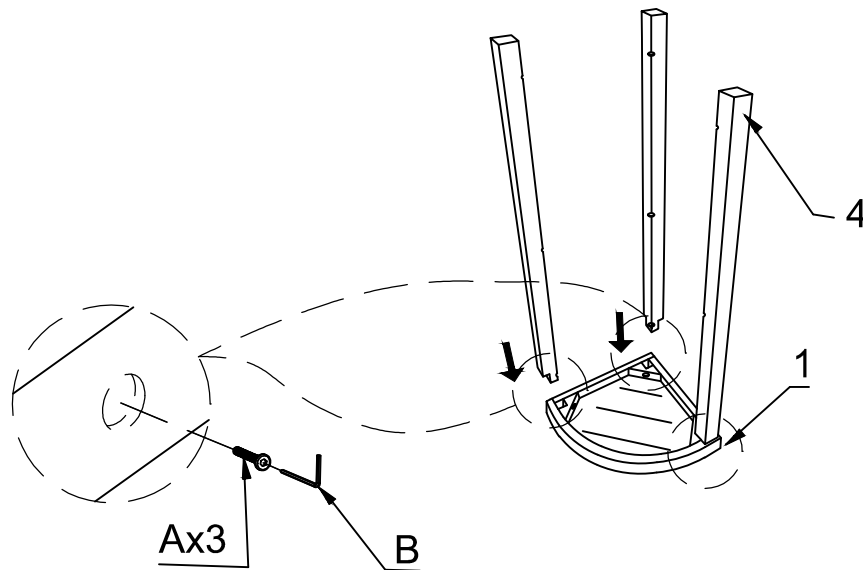
HARDWARE LIST

A	BOLTS (1" x 40mm)		9
B	ALLEN KEY 60X22X4mm		1

ASSEMBLY INSTRUCTIONS
PRODUCT #8270 (CFV1525)
BATHROOM 3 TIER CORNER SHELF
ASSEMBLY ON A FLAT, PROTECTED SURFACE

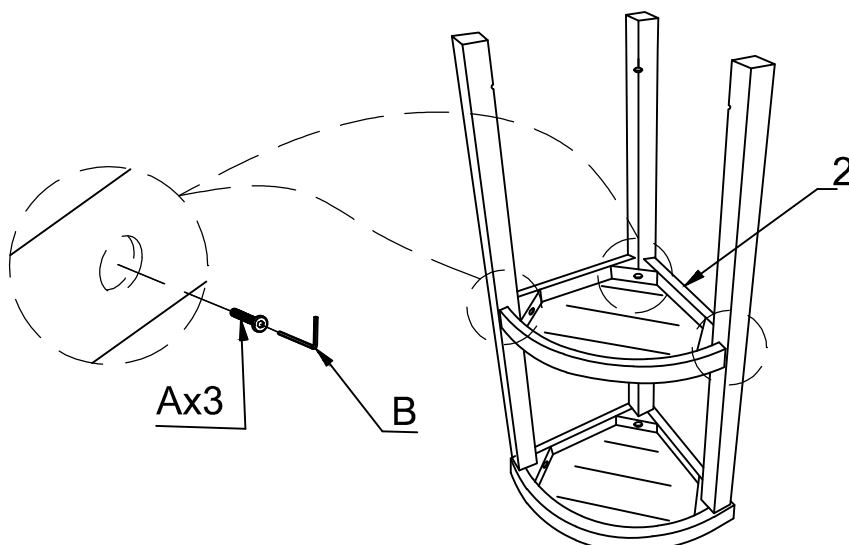
STEP 1:

- 1). Assemble on a soft, protected surface to prevent scratches.
- 2). Attach legs (4) to shelf top (1) as shown. Then loosely tighten bolts (A) with Allen key (B).



STEP 2:

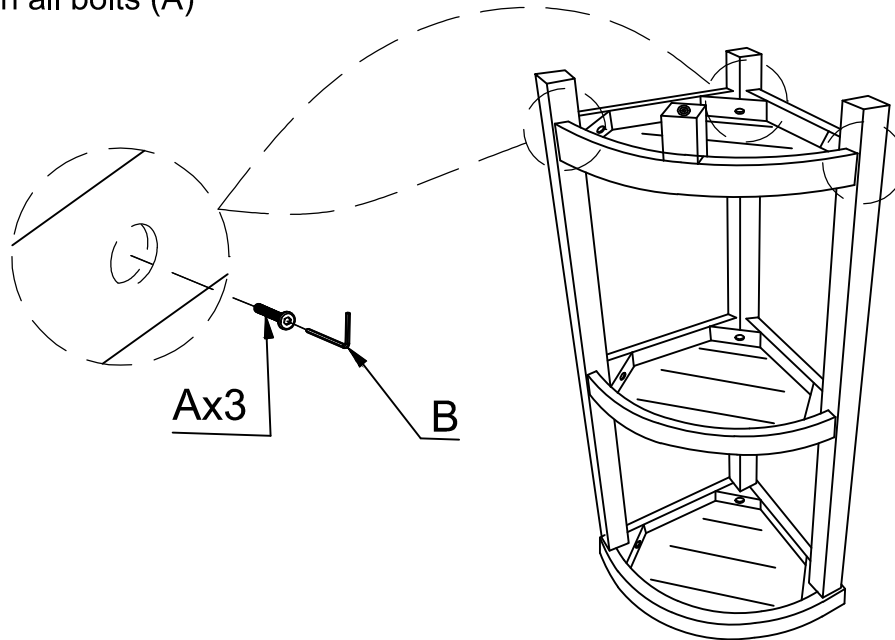
- 1). Well align bolt holes and connect the middle shelf (2) to legs assembled from step 1 as shown.
- 2). Insert bolts (A) to legs and loosely tighten with Allen key (B).



ASSEMBLY INSTRUCTIONS
PRODUCT #8270 (CFV1525)
BATHROOM 3 TIER CORNER SHELF
ASSEMBLY ON A FLAT, PROTECTED SURFACE

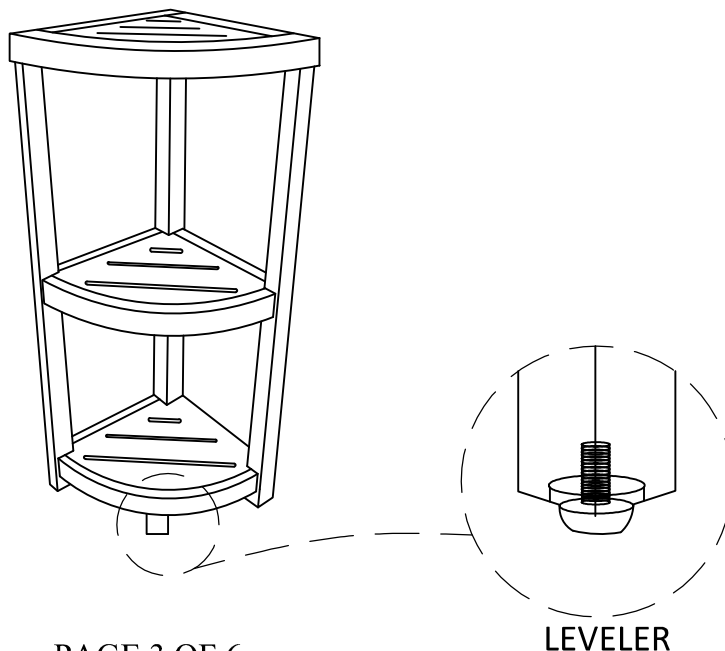
STEP 3:

- 1). Attach bottom shelf (3) to the legs assembled from step 2 as shown.
- 2). Insert bolts (A) to legs and tighten with Allen key (B).
- 3). Fully tighten all bolts (A)



STEP 4:

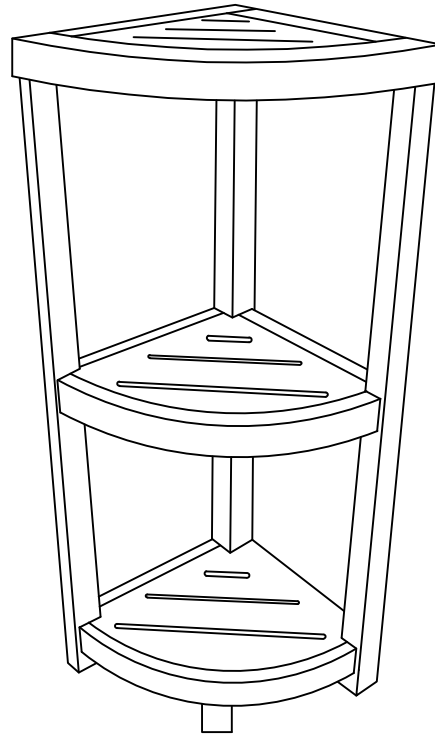
- 1). Upright the assembled from step 3 as shown.
- 2). Please adjust the leveler pre attached in the front middle leg to ensure the 3 Tier corner shelf stands evenly on the floor.



ASSEMBLY INSTRUCTIONS
PRODUCT #8270 (CFV1525)
BATHROOM 3 TIER CORNER SHELF
ASSEMBLY ON A FLAT, PROTECTED SURFACE

STEP 5:

- 1). The 3 Tier Corner shelf is ready for use.



IMPORTANT NOTE:

- *Place all wooden parts on a clean and smooth surface such as a rug or carpet to avoid scratching the parts.
 - *Kindly follow the assembly instruction step by step.
 - *We recommend that you periodically tighten all bolts/ screws are placed in their proper position and are tightened securely to ensure your safety.
 - *Weight restriction: Top 15 LBS, Shelf 15 LBS each.
 - *Do not sit, stand or climb on the 3 Tier corner shelf.
 - *Not for commercial use.
- *In case you need any extra parts or further services, for Wayfair customers, please feel free to contact with Wayfair directly, for all others, please feel free to contact us directly instead your safety.

CHICAGO STOOL & CHAIR INC.
1230 St. Charles Street, Elgin, IL60120, USA
Tel# 847 - 2899955
Tel# 847 - 2899911
Email: Service@ehemco.com
www.eHemco.com






**ANTI-TIP HARDWARE MOUNTING INSTRUCTIONS
FOR DRYWALL (CONTINUED)
PRODUCT # 8270 (CFV1525)**

PHILLIPS - HEAD SCREWDRIVER, DRILL, 7/32" DRILL BIT NEEDED FOR ASSEMBLY; NOT INCLUDED.

FOR SAFETY REASONS, WE RECOMMEND THAT YOU INSTALL THE INCLUDED ANTI-TIP HARDWARE TO HELP PREVENT THE TOWER FROM UNEXPECTEDLY TIPPING OR SHIFTING.

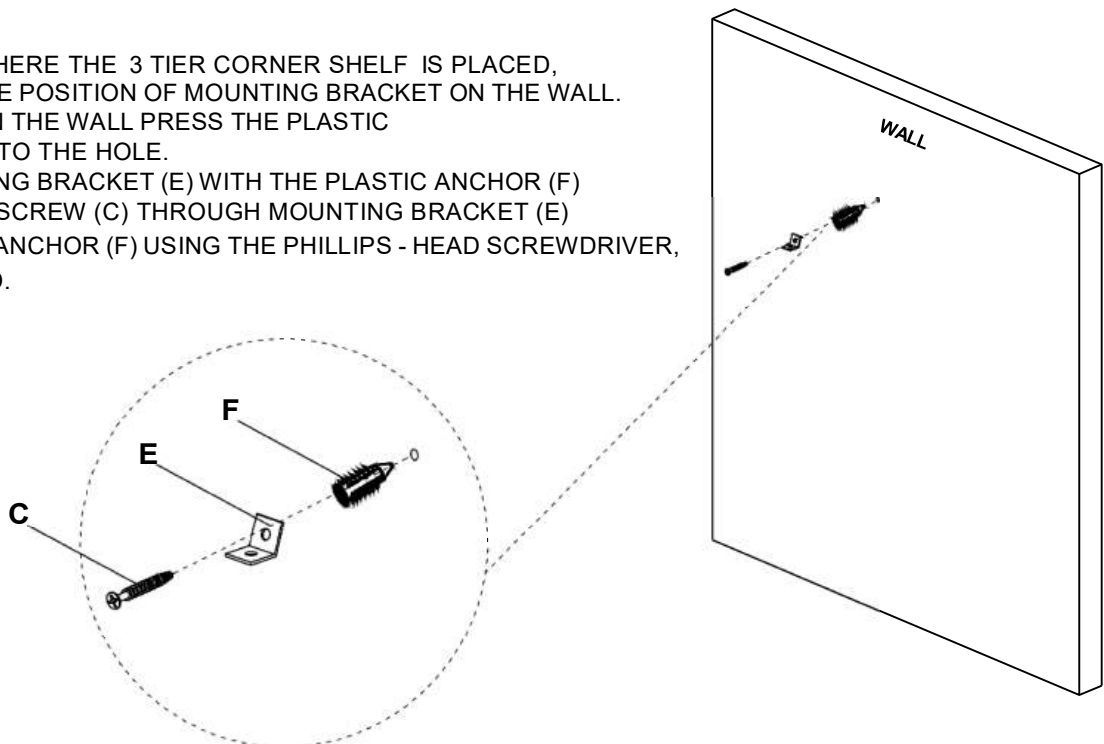
THE INCLUDED MATERIALS ARE DESIGNED TO MOUNT THE ANTI-TIP HARDWARE TO DRYWALL.

PLEASE CONSULT A REPRESENTATIVE AT A HARDWARE/HOME IMPROVEMENT STORE TO DISCUSS ADDITIONAL MOUNTING OPTIONS FOR OTHER TYPES OF WALLS.

PART LIST	FIGURE	QTY	DESCRIPTION
C		1PC	LONG SCREW 5/16" x 2"
D		1PC	SHORT SCREW 5/16" x 5/8"
E		2PCS	MOUNTING BRACKETS
F		1PC	PLASTIC ANCHOR
G		1PC	STEEL CABLE

STEP 1

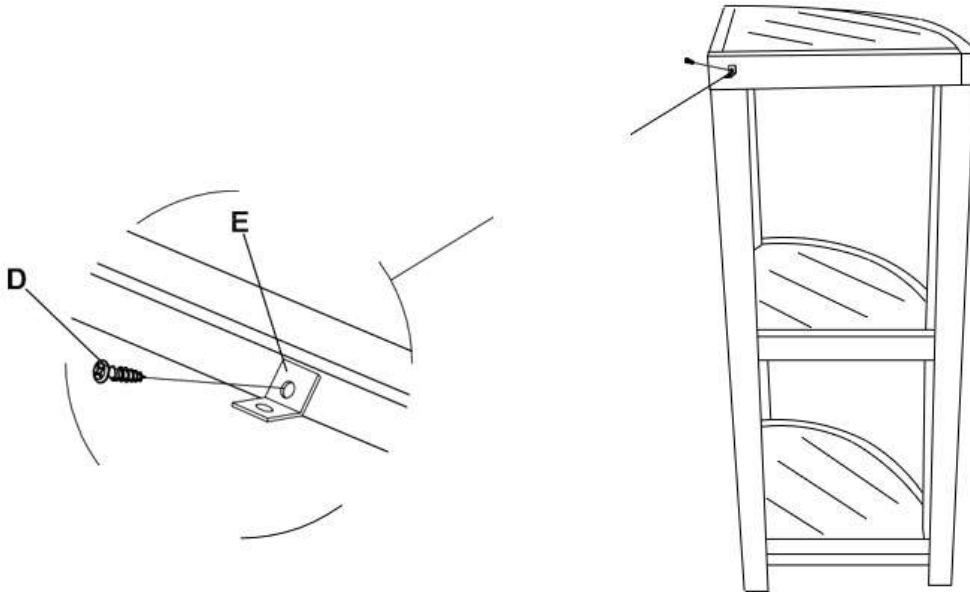
- A. DETERMINE WHERE THE 3 TIER CORNER SHELF IS PLACED, THEN MARK THE POSITION OF MOUNTING BRACKET ON THE WALL.
- B. DRILL HOLES IN THE WALL PRESS THE PLASTIC ANCHOR (F) INTO THE HOLE.
- C. ALIGN MOUNTING BRACKET (E) WITH THE PLASTIC ANCHOR (F) INSERT LONG SCREW (C) THROUGH MOUNTING BRACKET (E) INTO PLASTIC ANCHOR (F) USING THE PHILLIPS - HEAD SCREWDRIVER, NOT INCLUDED.



ANTI-TIP HARDWARE MOUNTING INSTRUCTIONS
FOR DRYWALL (CONTINUED) PRODUCT # 8270 (CFV1515)

STEP 2

A. ATTACH MOUNTING BRACKET(E) TO APRON (JUST BELOW TABLE TOP) AT CENTER BACK OF THE 3 TIER CORNER SHELF WITH SHORT SCREW (D) USING THE PHILLIPS - HEAD SCREWDRIVER, NOT INCLUDED.



STEP 3

A. ALIGN THE 3 TIER CORNER SHELF MOUNTING BRACKET TO WALL MOUNTING BRACKET.
B. FEED THE STEEL CABLE (G) THROUGH BOTH MOUNTING BRACKETS (E) TO CONNECT.
C. CHECK TO MAKE SURE THE STEEL CABLE (G) IS SECURELY TIGHTENED.

