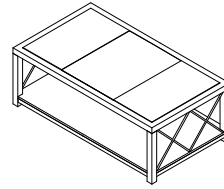


ASSEMBLY INSTRUCTIONS



042-910

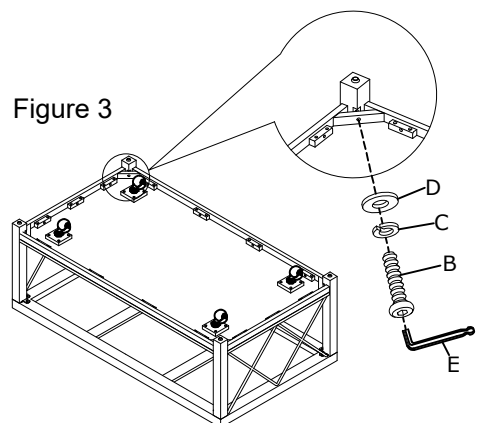
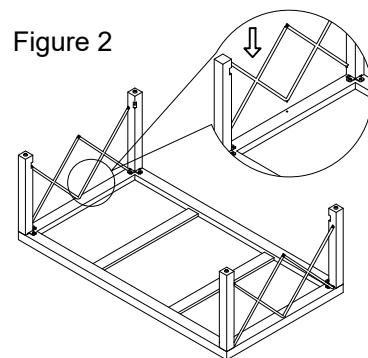
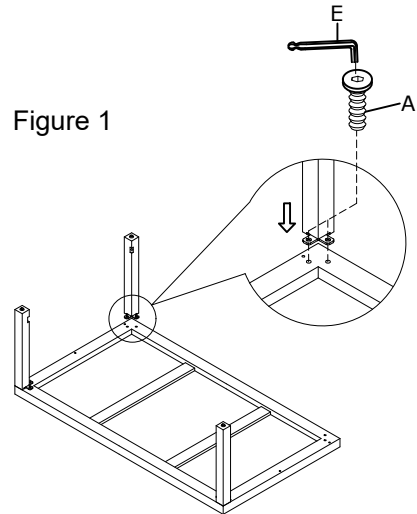
TOOLS REQUIRED:


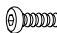



Allen Wrench (Provided, Part E)

BEFORE YOU START:

1. Check the parts against the parts list to make sure all items are present.
2. Assemble your furniture on a soft, flat surface to avoid scratching the finish.
3. **CAUTION:** Do not over tighten screws, nuts or bolts during assembly.
4. Your furniture may require occasional tightening.

INSTRUCTIONS:



No.	Hardware List		Q'ty
A		Bolt Ø1/4 "x1 "	8pcs
B		Bolt Ø1/4 "x1-3/4 "	4pcs
C		Lock Washer Ø1/4"	4pcs
D		Flat Washer Ø1/4"*16mm	4pcs
E		Allen Wrench 4MM	1pc