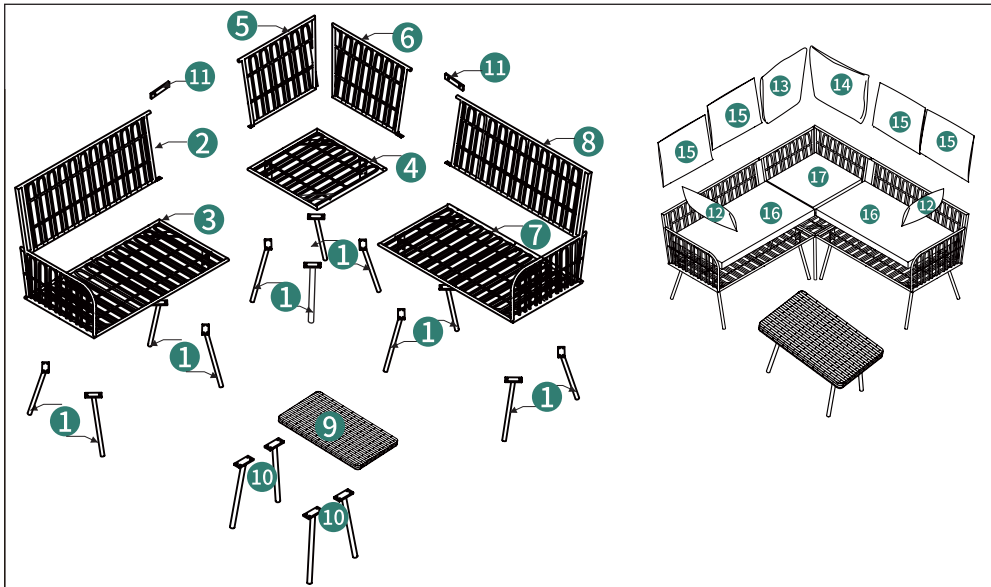
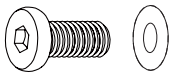
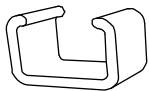
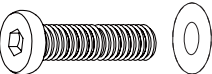

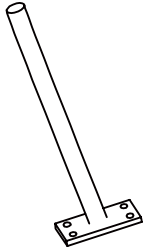
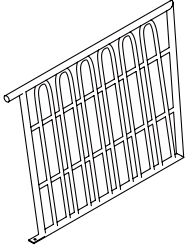
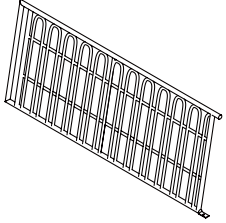
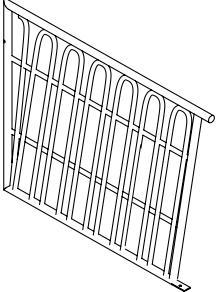
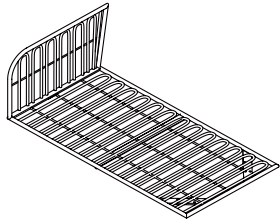
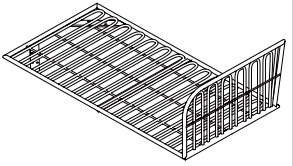
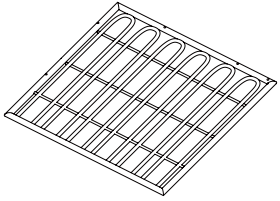
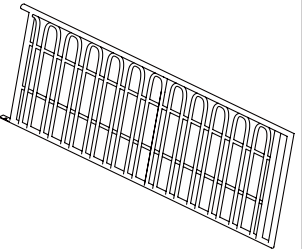


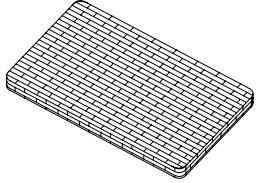
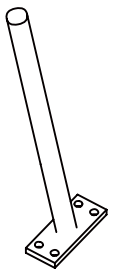
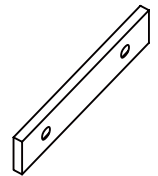
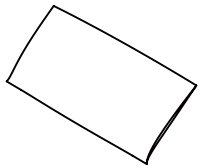
“IMPORTANT, RETAIN FOR FUTURE REFERENCE: READ CAREFULLY”

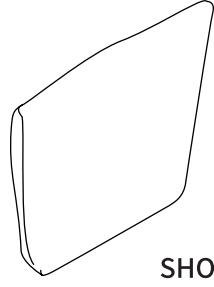
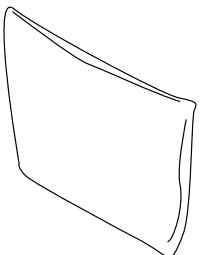
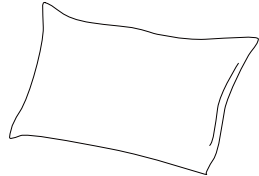
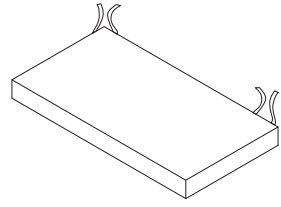
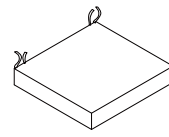
- ⚠ 1. Assemble product on a flat, clean surface.
- 2. Ensure that all screws are placed in correct positions prior to tightening.
- 3. If a screw cannot be inserted, loosen it and try again. Once all screws are aligned and inserted, tighten them in a crisscross pattern.
- 4. Do not fully tighten all screws until assembly is completed.



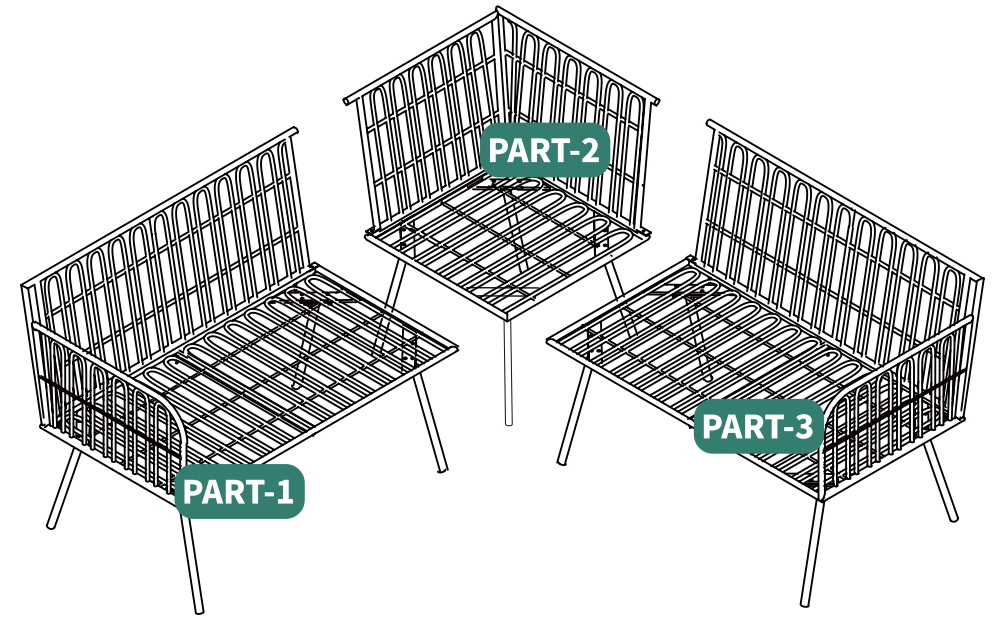
Item no.	Reference Image	Qty.	Item no.	Reference Image	Qty.
A	 M6x15	X72	C	 60x40x30mm	X4
B	 M6x40	X13	-		X2

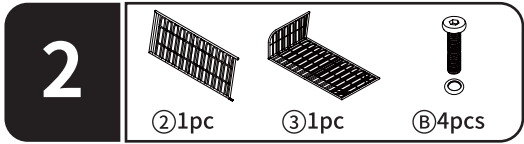
Item no.	Reference Image	Qty.	Item no.	Reference Image	Qty.
1		x12	5		X1
2		X1	6		X1
3		X1	7		X1
4		X1	8		X1

Item no.	Reference Image	Qty.
9		X1
10		X4
11		X2
12		X2

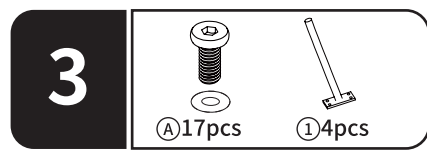
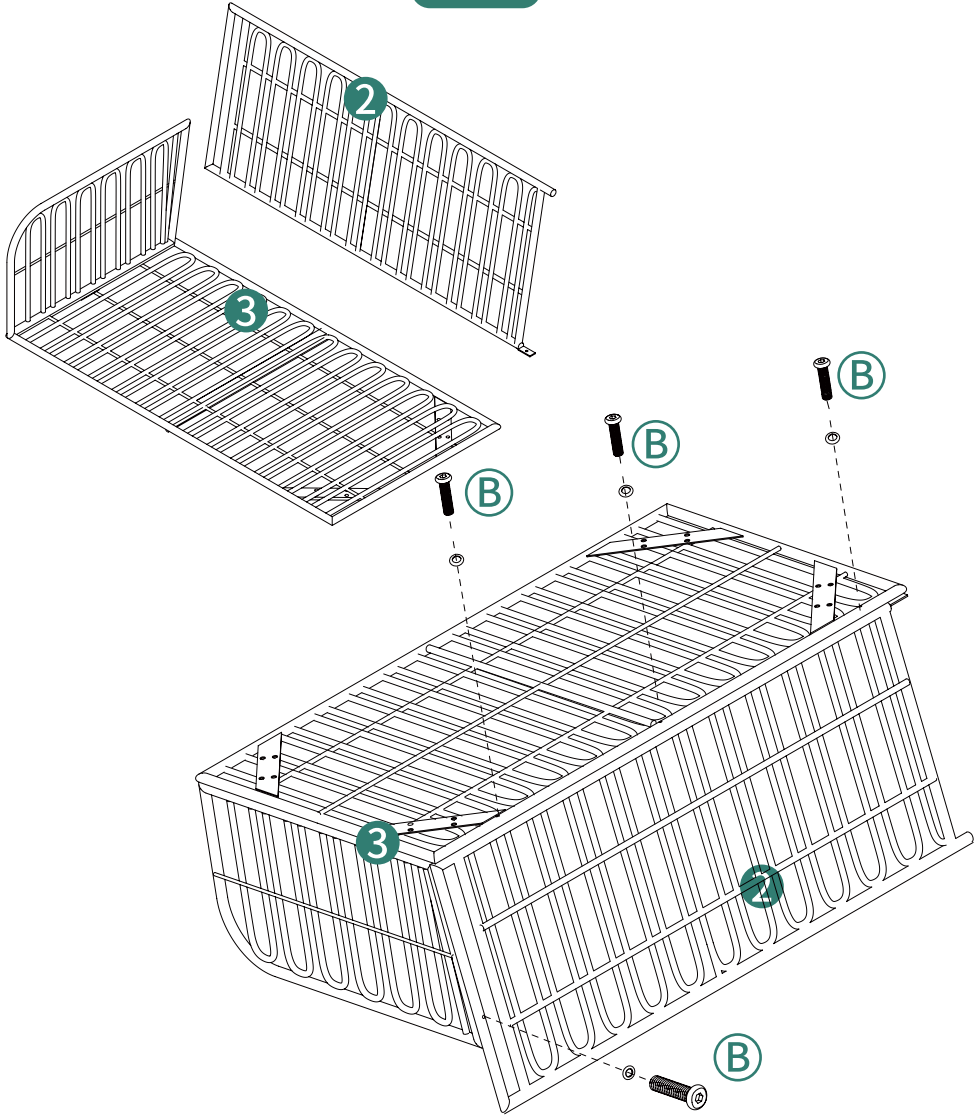
Item no.	Reference Image	Qty.
13	 SHORT	X1
14	 LONG	X1
15		X4
16		X2
17		X1

1

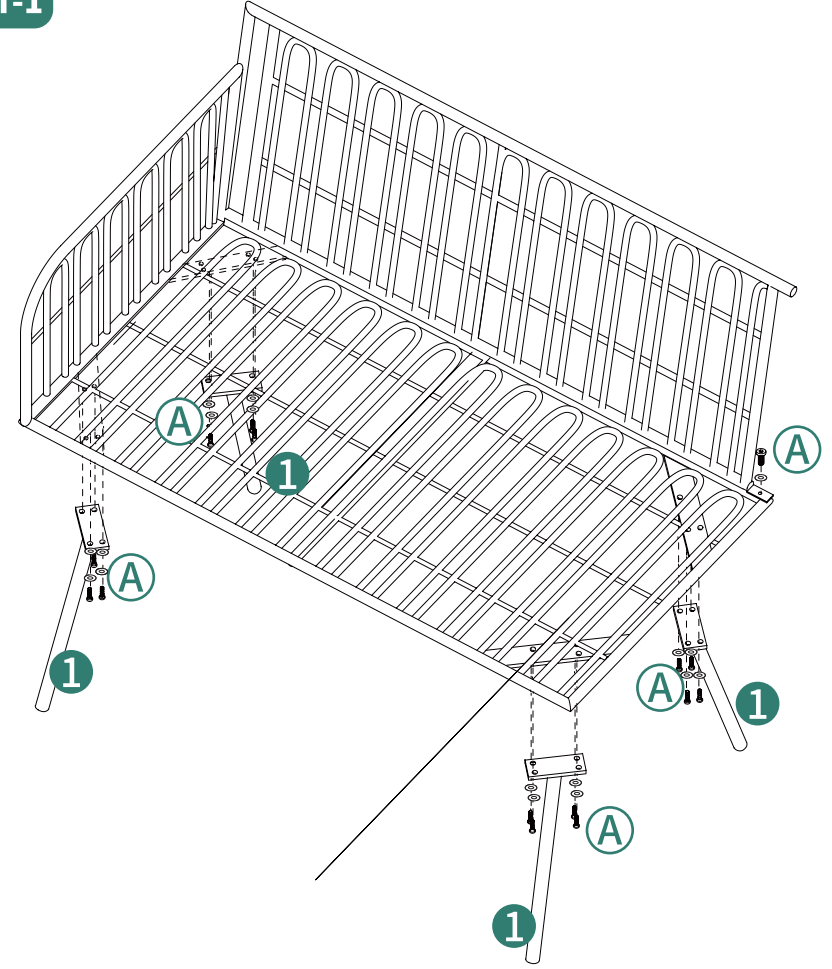




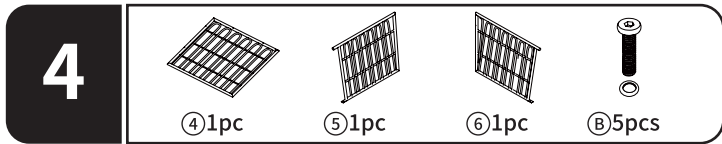
PART-1



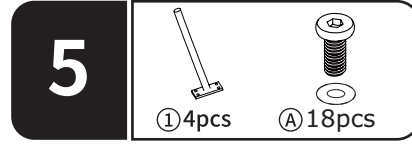
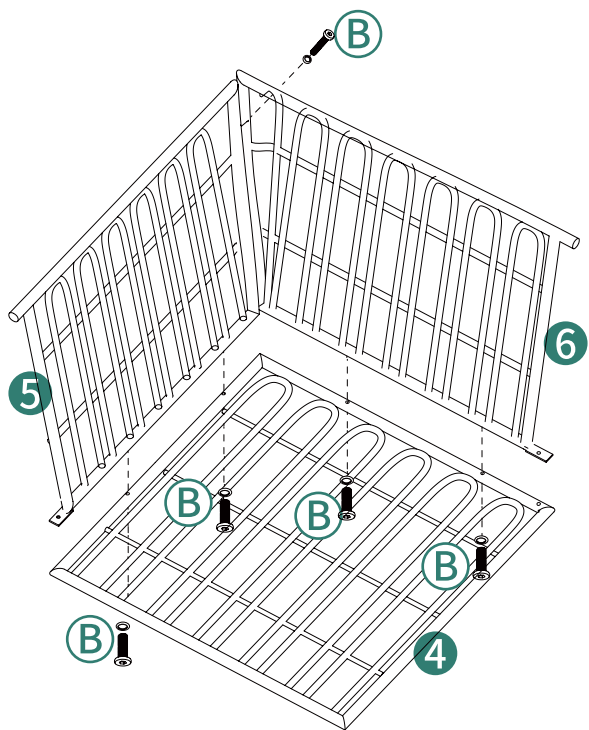
PART-1



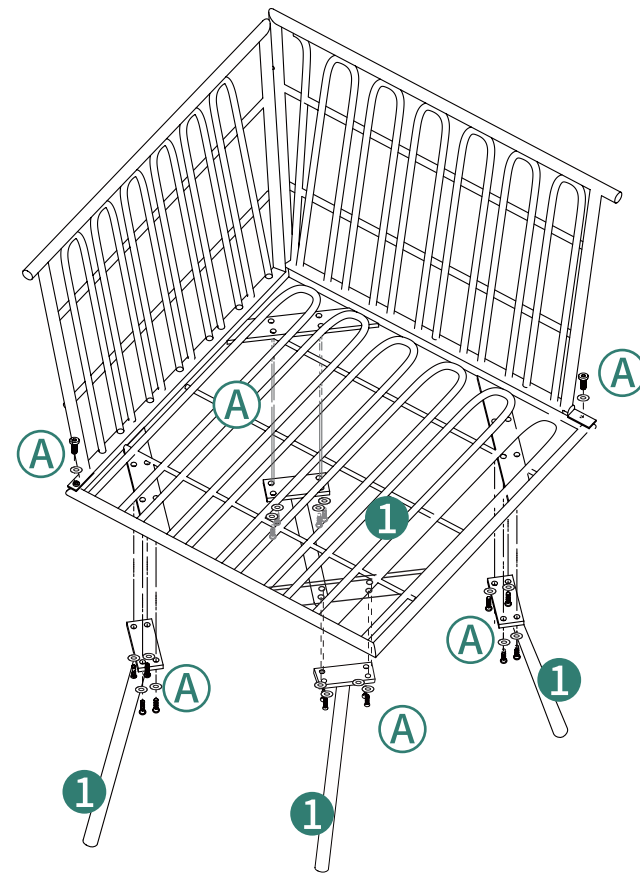
PART-1 INSTALLATION COMPLETED



PART-2

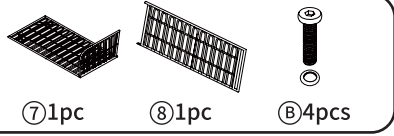


PART-2

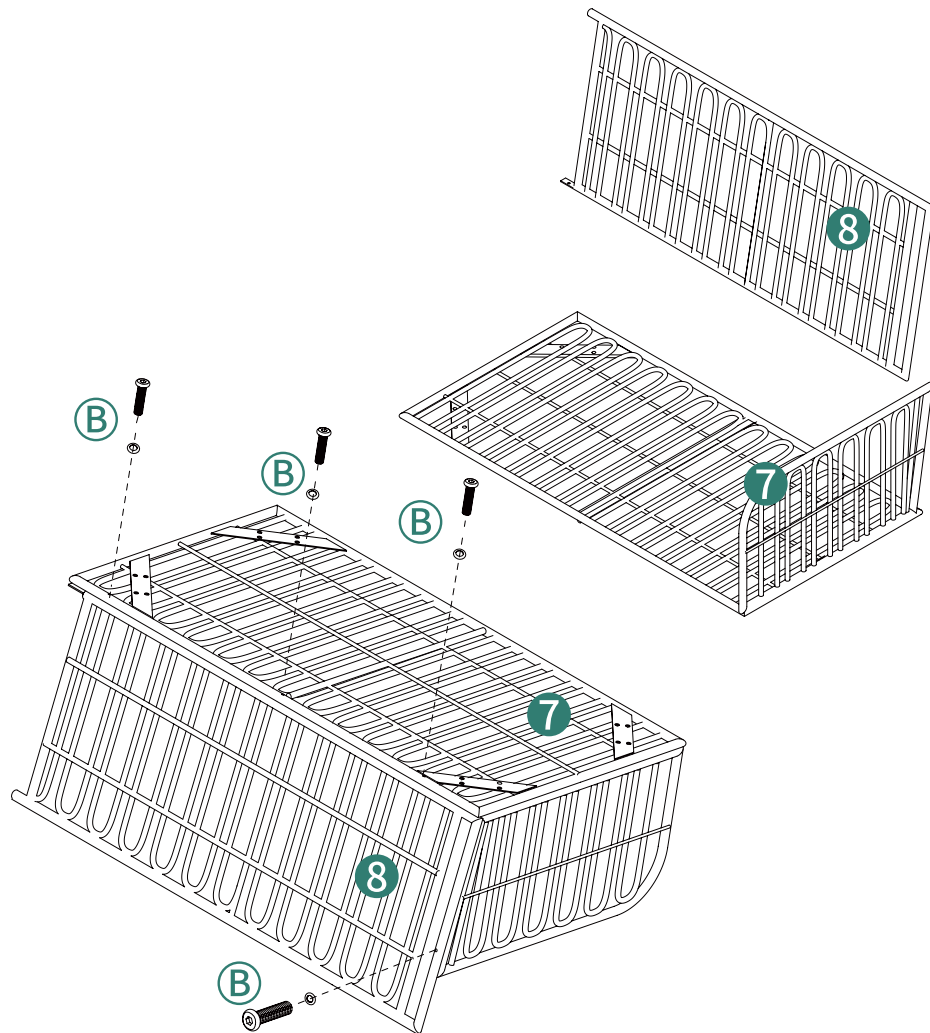


PART-2 INSTALLATION COMPLETED

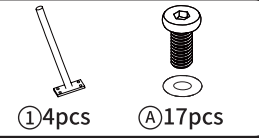
6



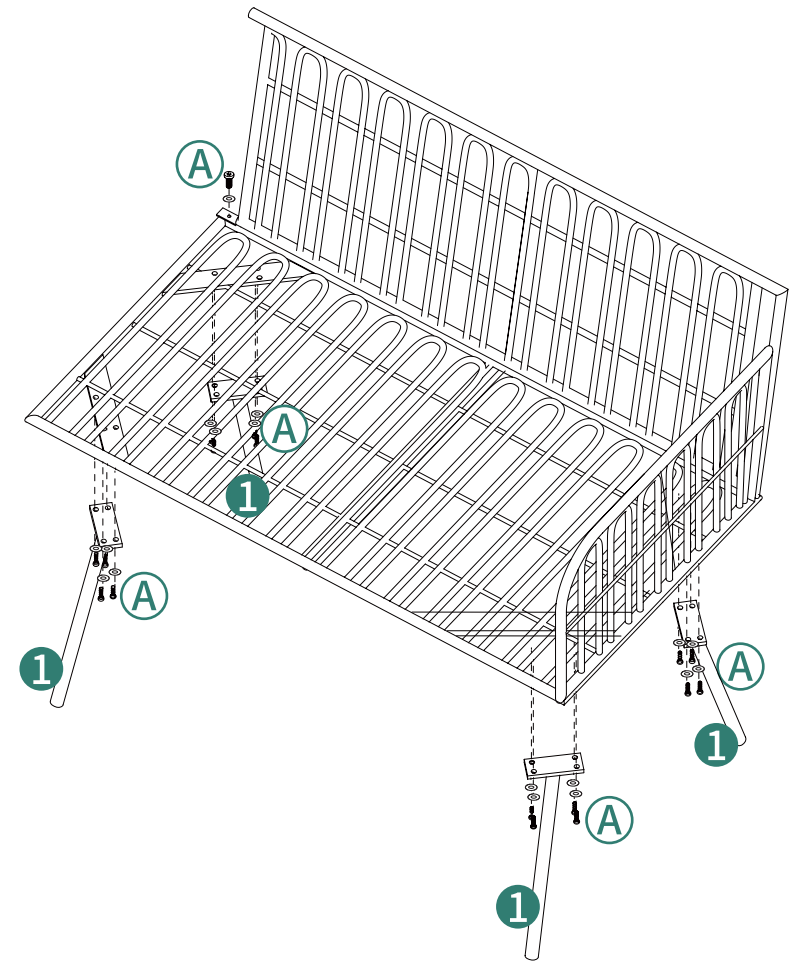
PART-3



7

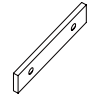


PART-3

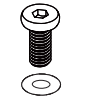


PART-3 INSTALLATION COMPLETED

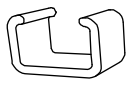
8



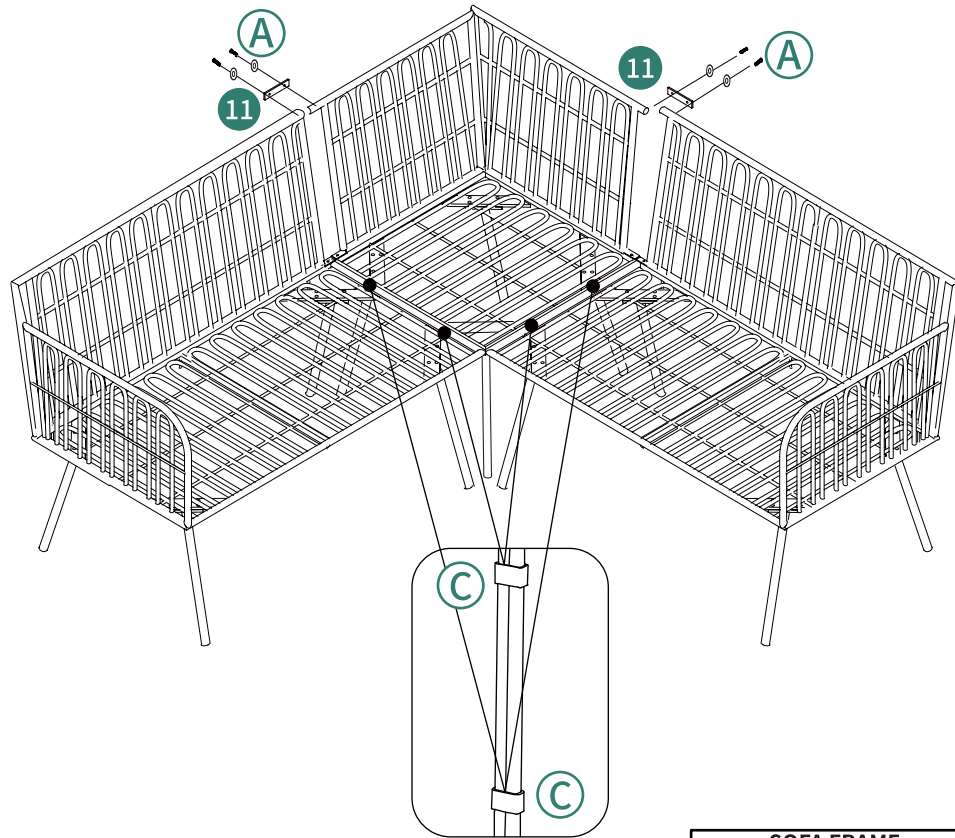
11 2pcs



A 4pcs



C 4pcs



SOFA FRAME
INSTALLATION COMPLETED

9



12 2pcs



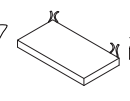
13 1pc



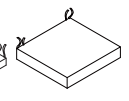
14 1pc



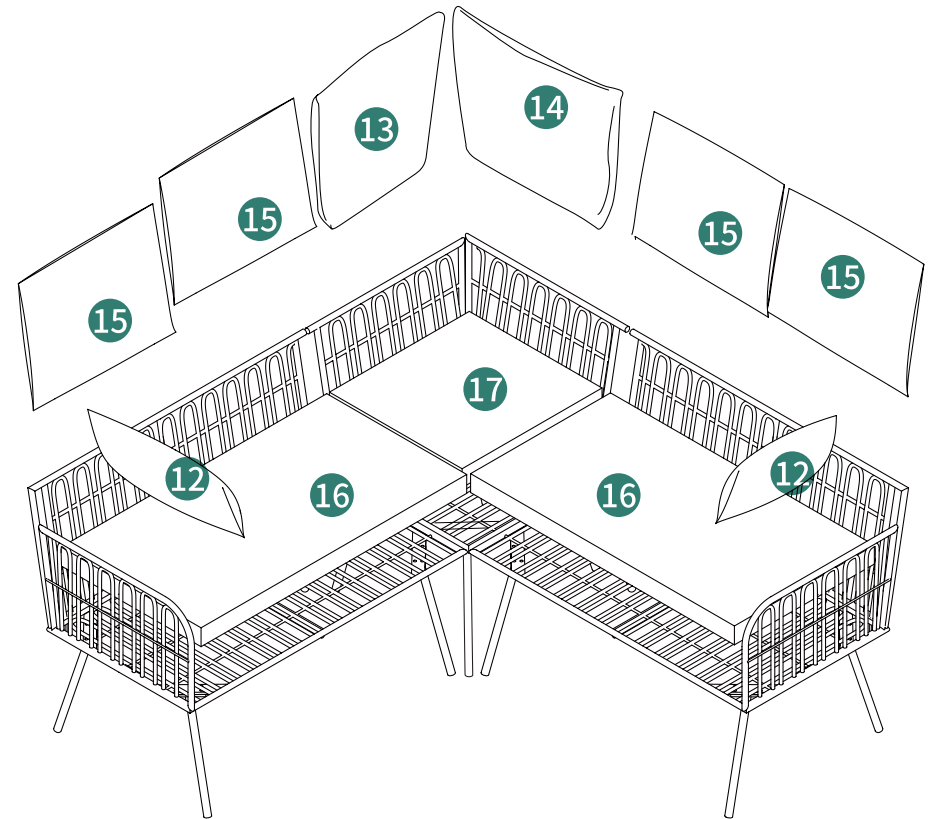
15 4pcs



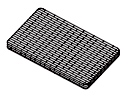
16 2pcs



17 1pc



10



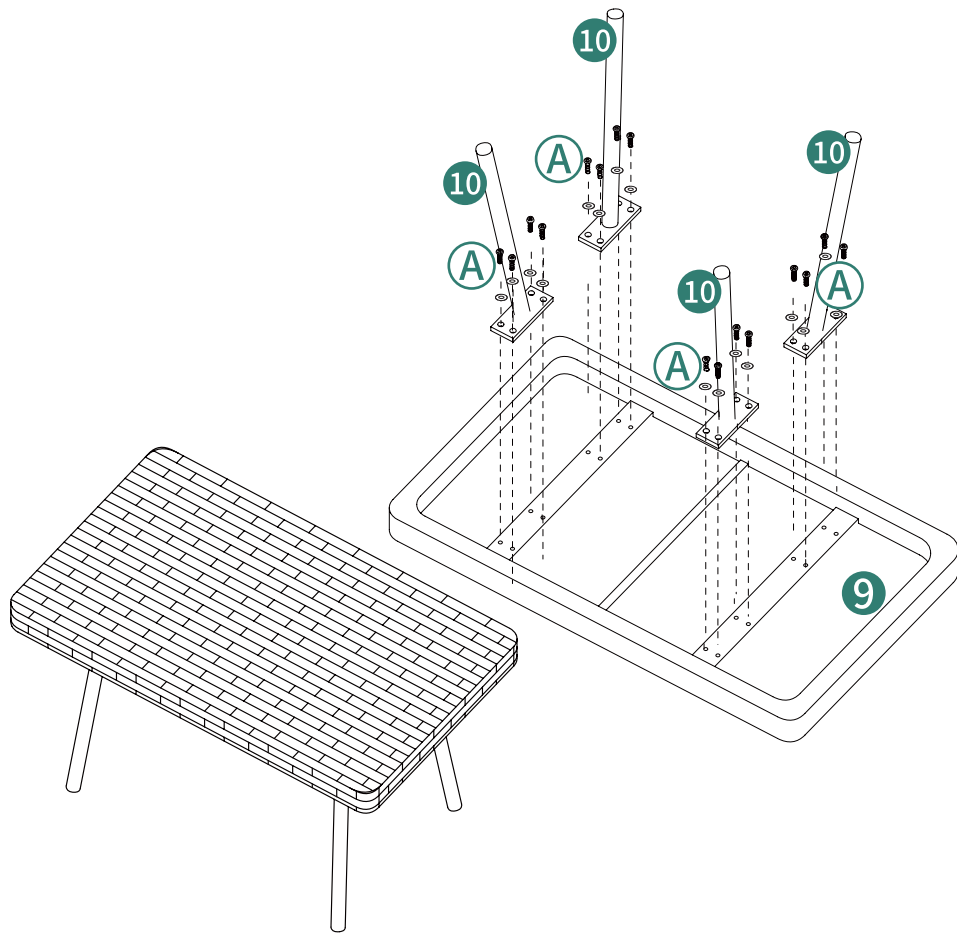
9 1pc



10 4pcs



A 16pcs



INSTALLATION
COMPLETED