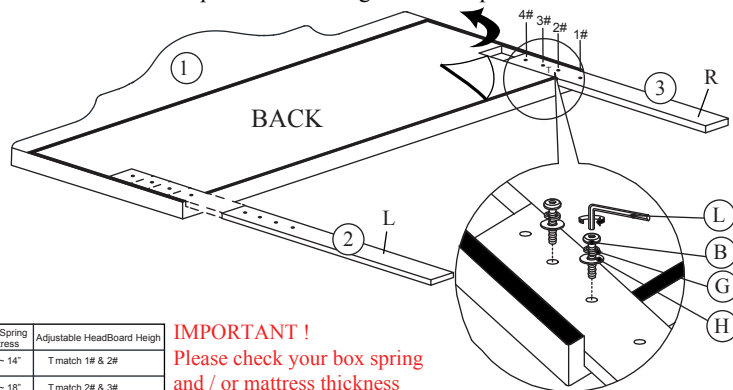


# ASSEMBLY INSTRUCTION

NO	PARTLIST	QTY
1	HEADBOARD CUSHION	1PC
2	HEADBOARD LEG (LEFT)	1PC
3	HEADBOARD LEG (RIGHT)	1PC
4	FOOTBOARD CUSHION	1PC
5	FOOTBOARD LEG	2PCS
6	SIDE RAIL (L/R)	2PCS
7	SIDE RAIL (L/R)	2PCS
8	SIDE RAIL SUPPORT LEG	2PCS
9	SLAT	4PCS
10	SUPPORT LEG WITH ADJUSTABLE FEET	8PCS
ITEM	HARDWARE	QTY
A	JCBB SCREW M8 x 20MM	8PCS
B	JCBC SCREW M8 x 50MM	4PCS
C	JCBC SCREW M6 x 25MM	8PCS
D	JCBC SCREW M6 x 40MM	8PCS
E	JCBC SCREW M6 x 70MM	2PCS
F	WOOD DOWEL M8 x 30MM	2PCS
G	SPRING WASHER M8 x 13MM	4PCS
H	FLAT WASHER M8 x 22MM	4PCS
I	SPRING WASHER M6 x 12MM	8PCS
J	FLAT WASHRER M6 x 19MM	8PCS
K	SCREW M4 x 32MM	8PCS
L	L-KEY M5 x 65MM	1PC
M	L-KEY M4 x 65MM	1PC

## STEP 1

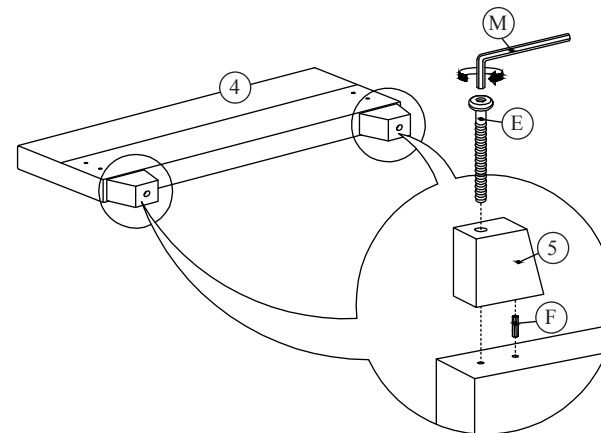
tear open the velcro to get all other part



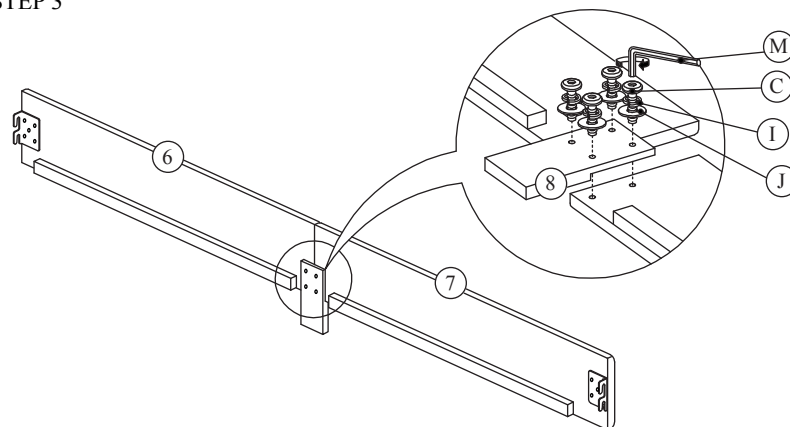
BOX Spring +Mattress	Adjustable HeadBoard Height
10" - 14"	T match 1# & 2#
14" - 18"	T match 2# & 3#
18" - 22"	T match 3# & 4#

**IMPORTANT !**  
Please check your box spring and / or mattress thickness before your assembly.

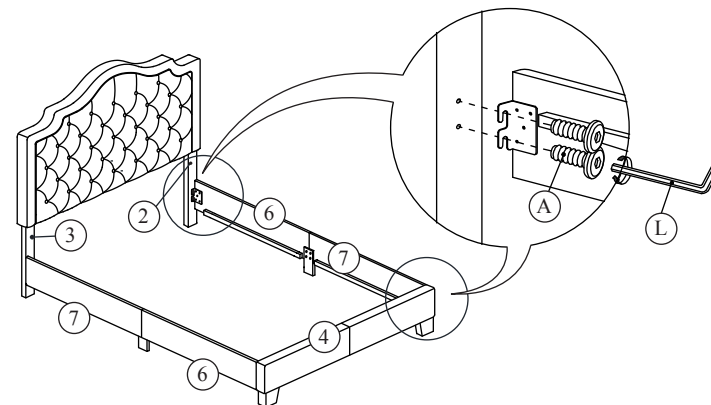
## STEP 2



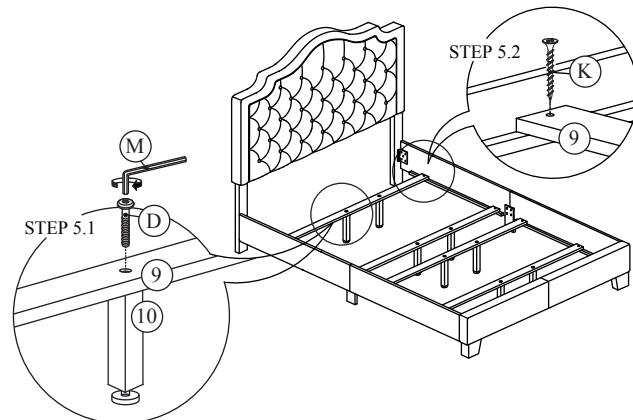
## STEP 3



## STEP 4



## STEP 5



## STEP 6

