

# ASSEMBLING INSTRUCTIONS ITEM 6625

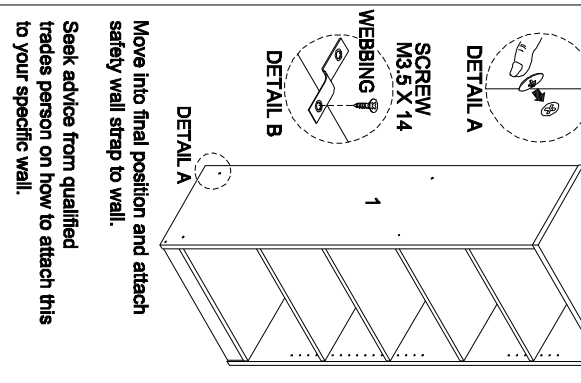
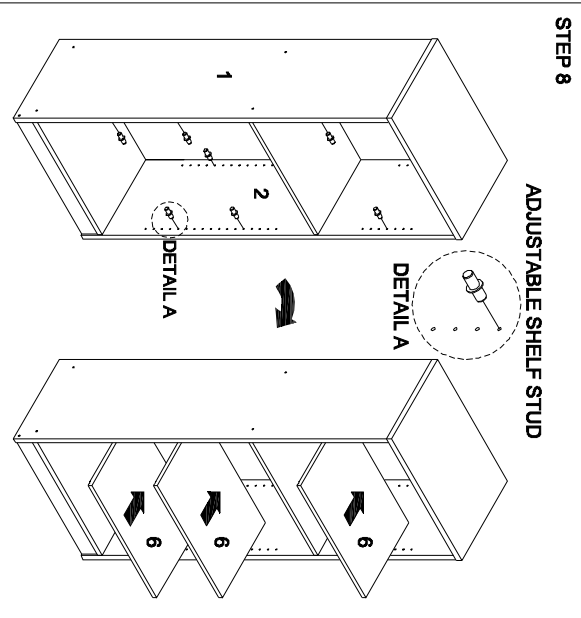
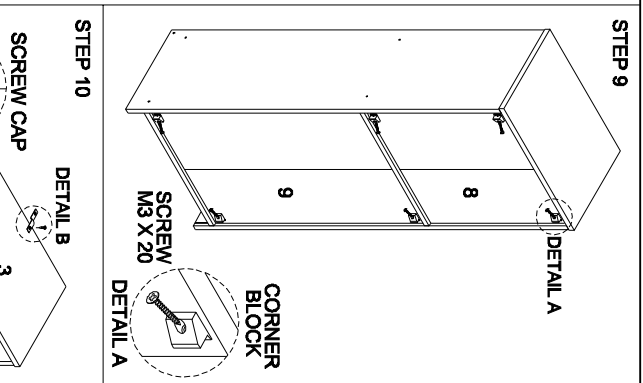
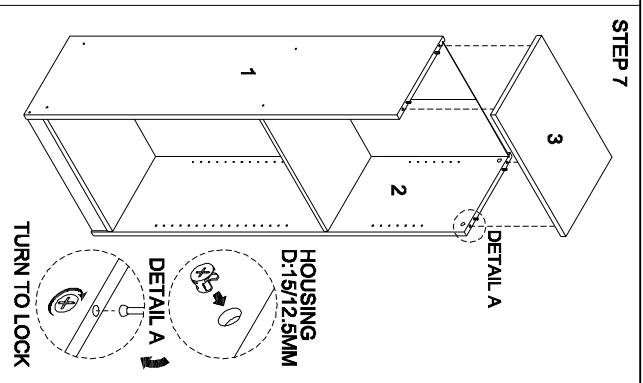
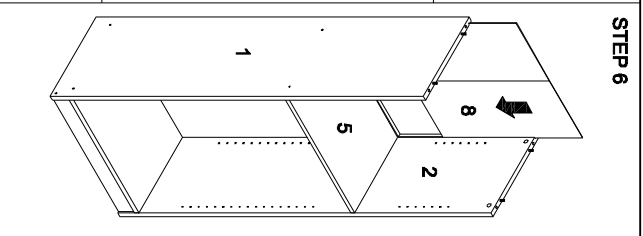
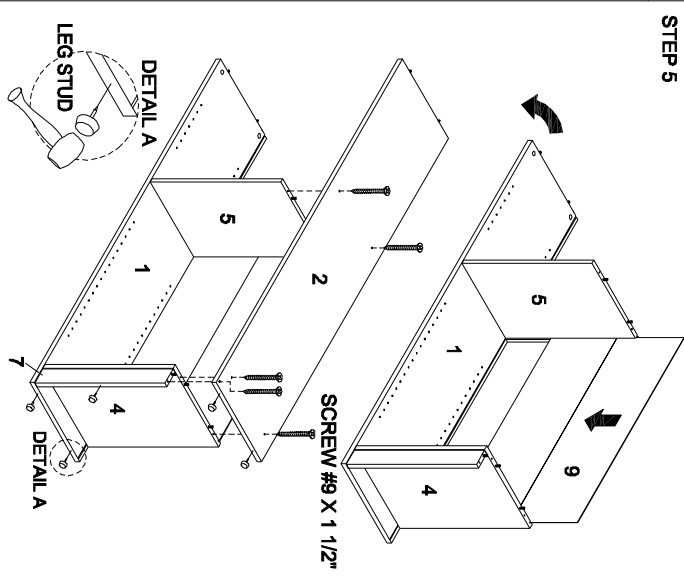
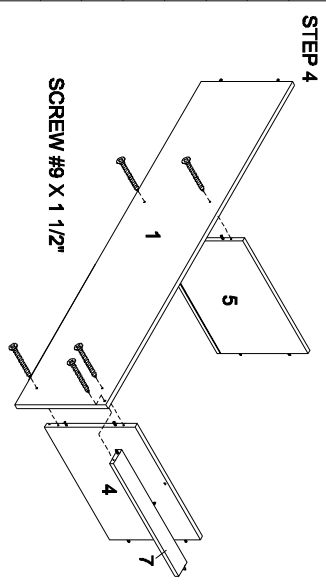
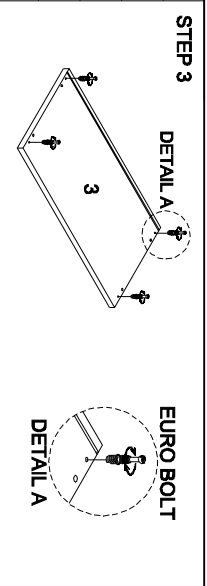
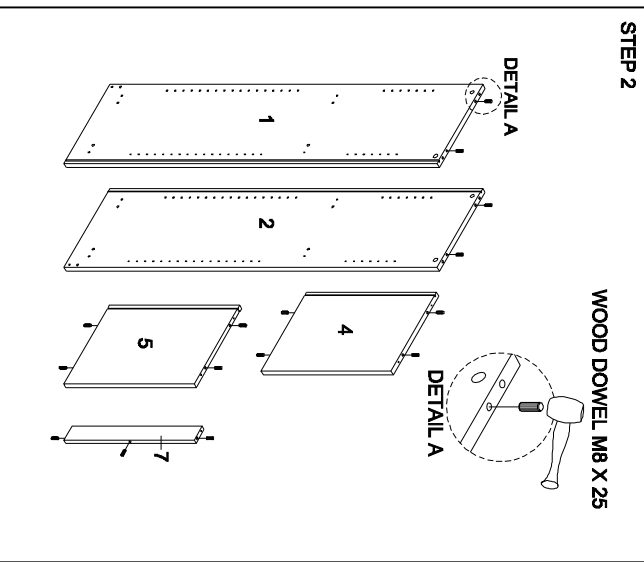
**CAUTION :**

THIS ITEM IS MADE OF LAMINATED PARTICLE BOARD AND MEDIUM DENSITY FIBRE BOARD TO BE ASSEMBLED ON A DRY, SOFT, SMOOTH AND CLEAN SURFACE . DO NOT USE DETERGENT OR CHEMICAL. AVOID DAMP AND SUNLIGHT.

STEP 1	CHECK YOUR HARDWARE	H2184
	EURO BOLT	4 PCS
	HOUSING D:15/12.5MM	4 PCS
	SCREW CAP	10 PCS
	WOOD DOWEL M8 X 25	15 PCS
	SCREW #9 X 1 1/2"	10 PCS
	ADJUSTABLE SHELF STUD	12 PCS
	SCREW M3 X 20	6 PCS
	CORNER BLOCK	6 PCS
	LEG STUD	5 PCS
	SCREW M3.5 X 14	1 PC
	WEBBING	1 PC

**TOOLS REQUIRED :**

	SCREW DRIVER		HAMMER
--	--------------	--	--------



Move into final position and attach safety wall strap to wall.  
Seek advice from qualified trades person on how to attach this to your specific wall.