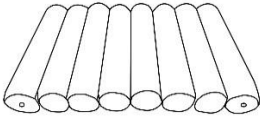
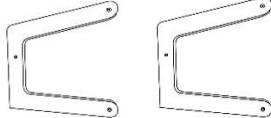


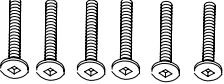
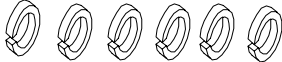


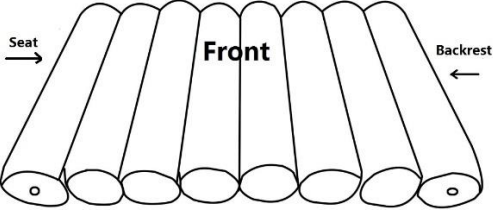
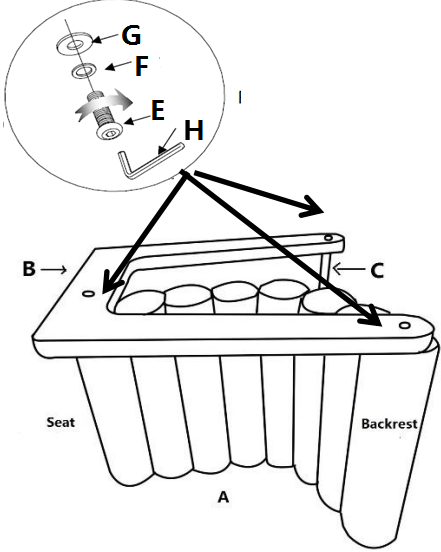


# ASSEMBLY INSTRUCTION

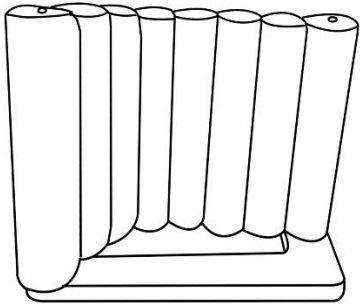
<<Before assembling, read all the instruction>>

	
<p>A Seat x1 pc</p>	<p>B Arm x 2pcs</p>
	
<p>C Black metal strip x1 pc</p>	<p>D Plastic cap x 6 pcs</p>
	
<p>E Bolts x 6 pcs</p>	<p>F Lock Washers x 6pcs</p>
	
<p>G Flat washers x 6pcs</p>	<p>H Allen Wrench x1 pc</p>

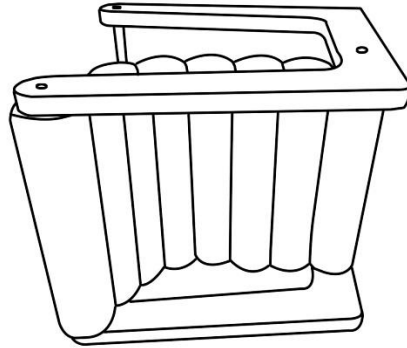
**Note: Take out the seat and back parts, then tighten them with the hardware.**

<p>Step 1 Take out the seat. According to the label, the front side is softer with foam than back side.</p>  <p style="text-align: center;">A</p>	<p>Step 2 Assemble one arm and the metal strip with hardware.</p> 
--	--

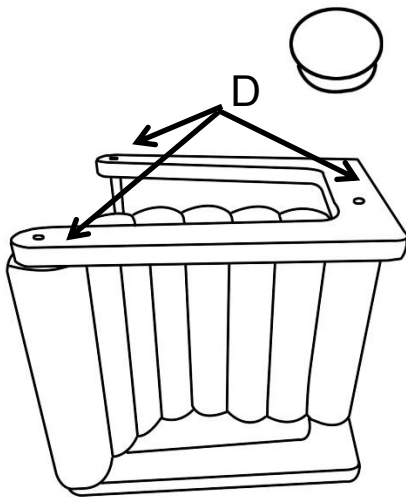
Step 3 Turn over the chair.



Step 4 Assemble the other arm with hardware.



Step 5 Insert the plastic caps into the holes.



Step 6

