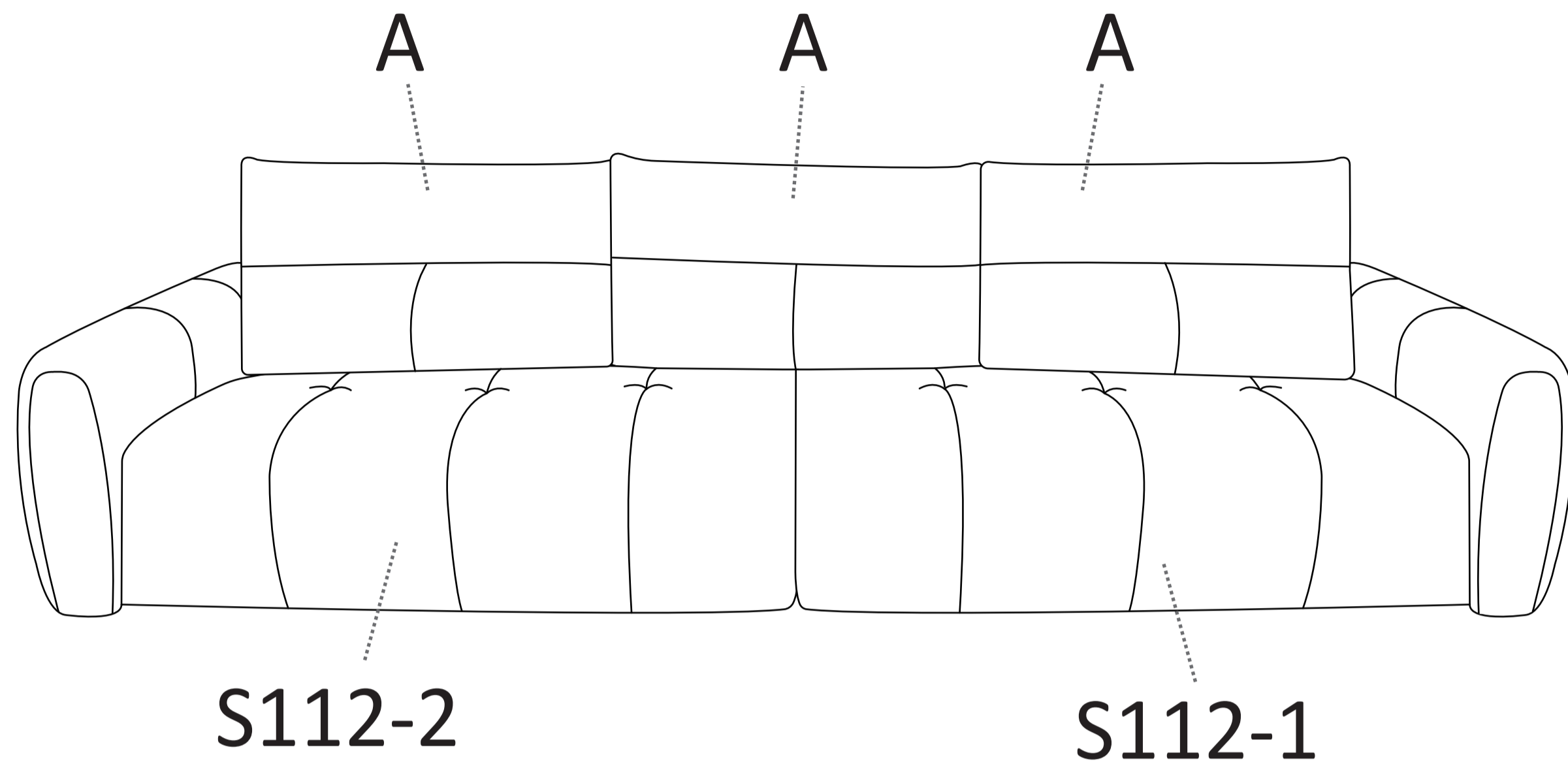
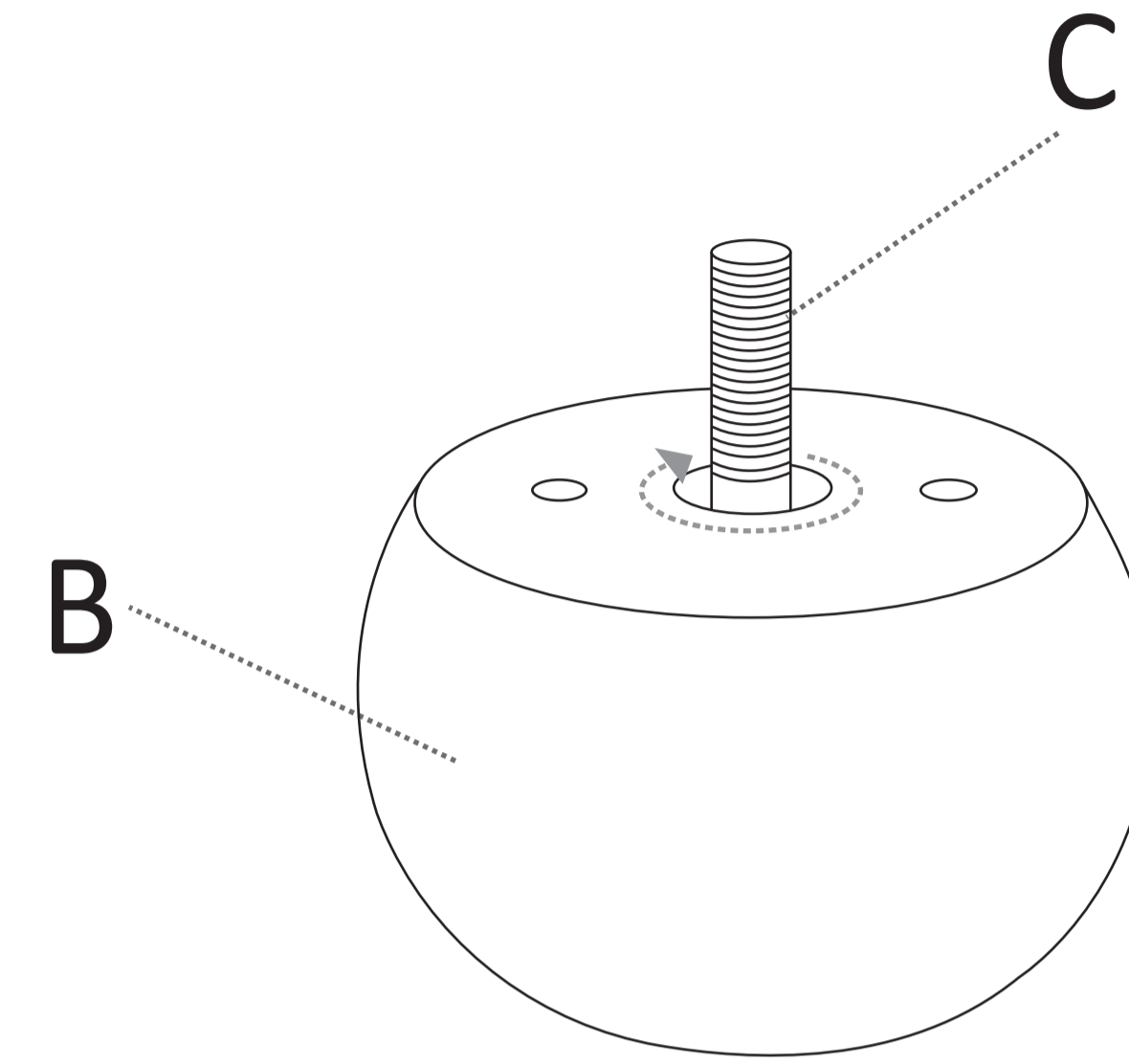


Assembly Instruction(1/2)



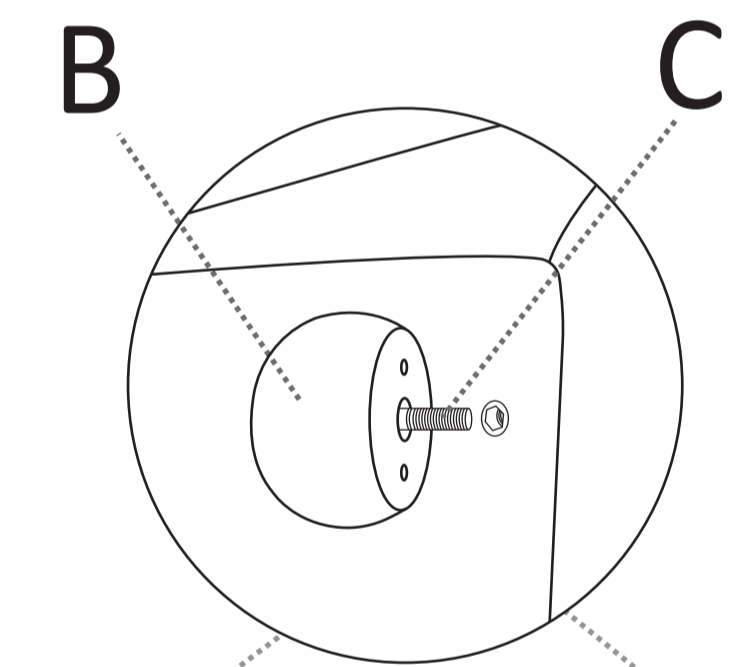
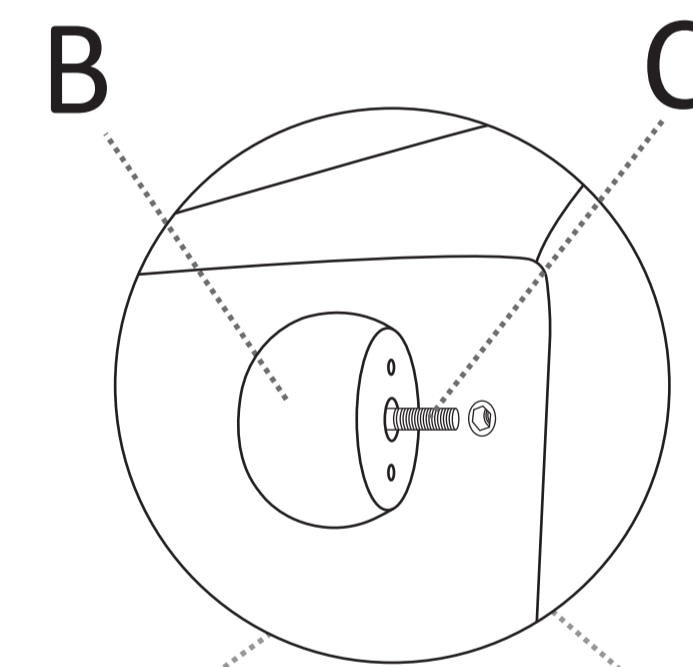
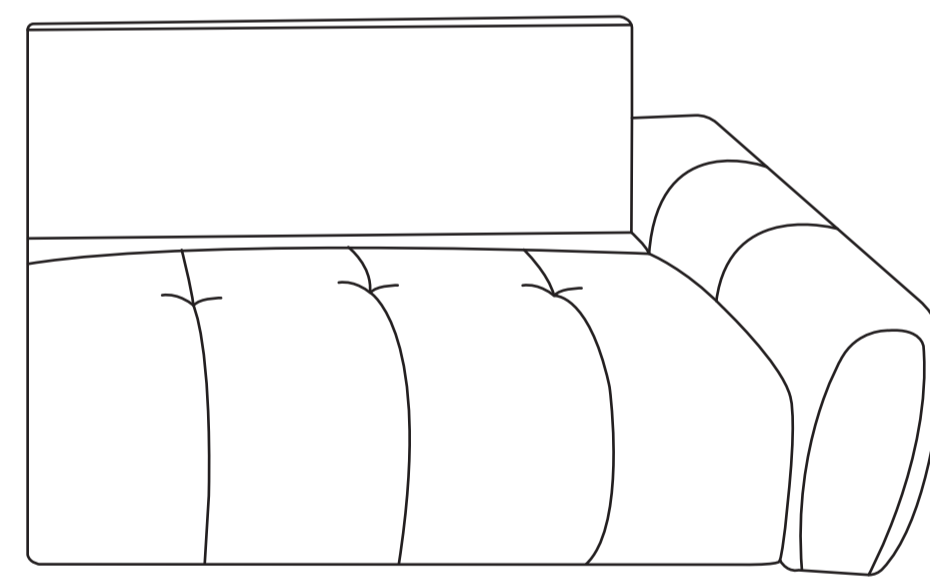
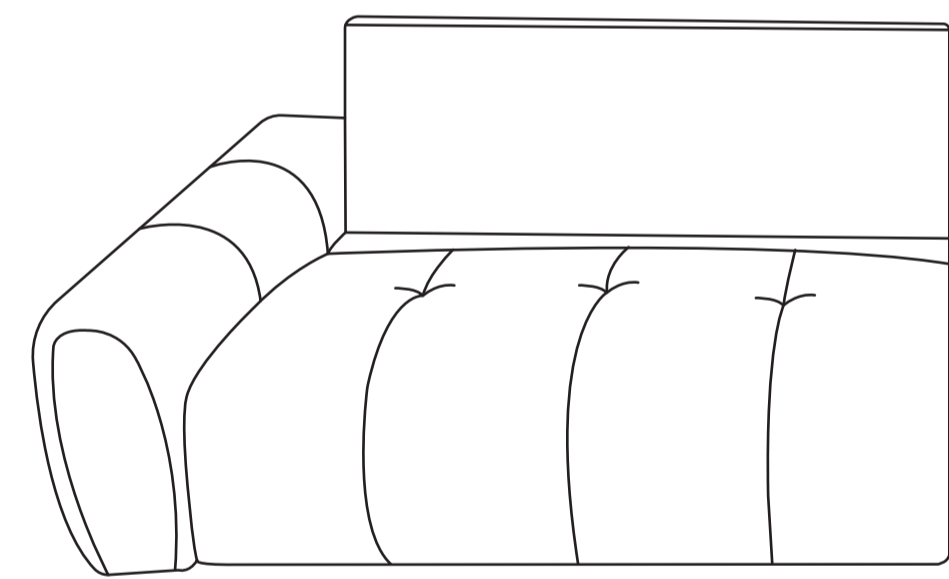
Step 2



Step 1

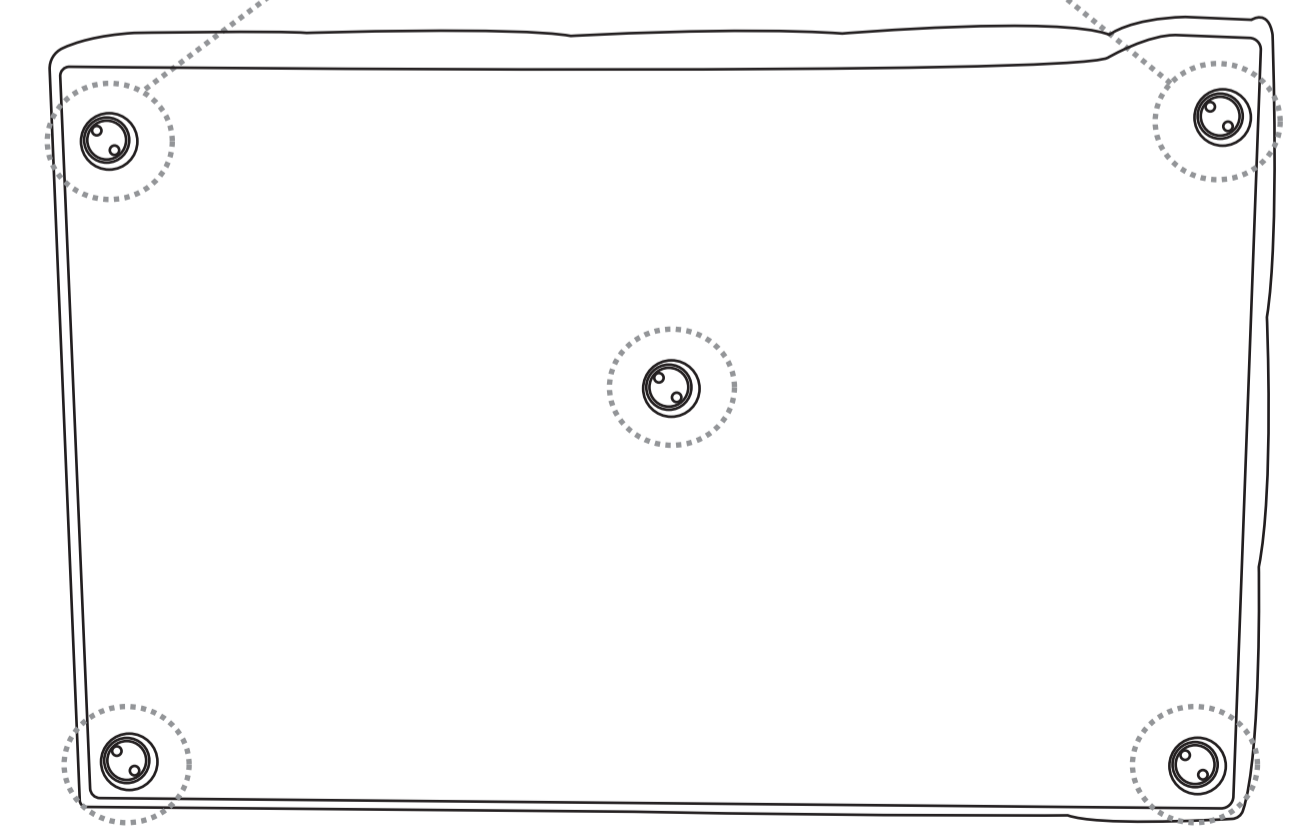
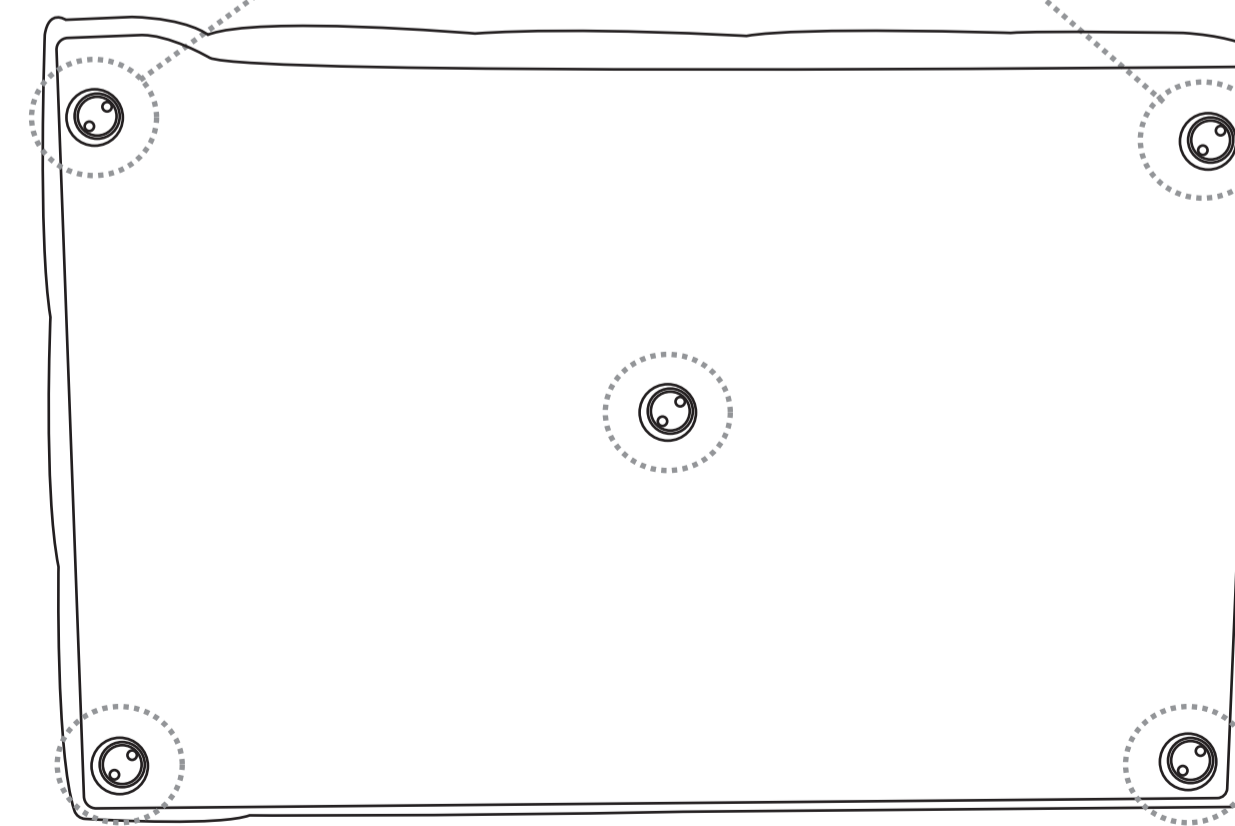
Open the package to remove the parts, remove the remaining parts and check the quantity.

Step 3



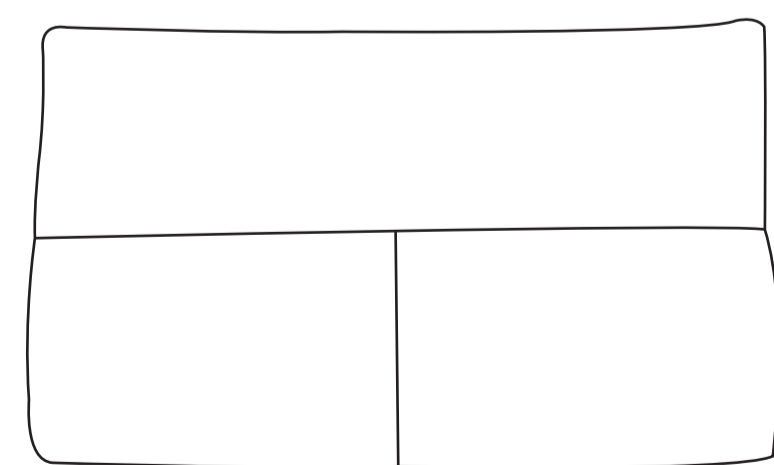
S112-2

S112-1

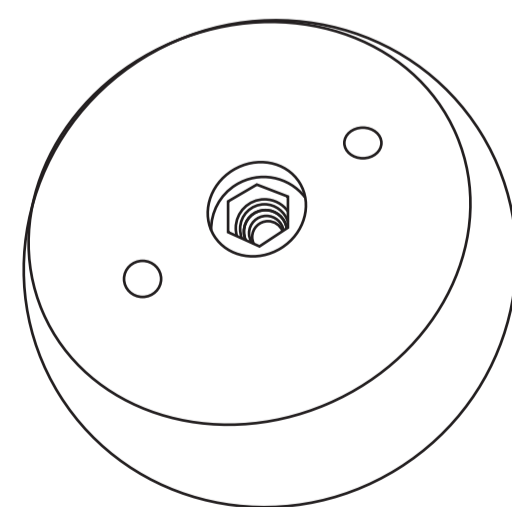


S112-2

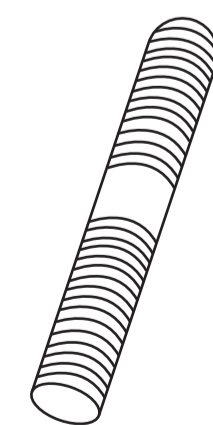
S112-1



A × 3



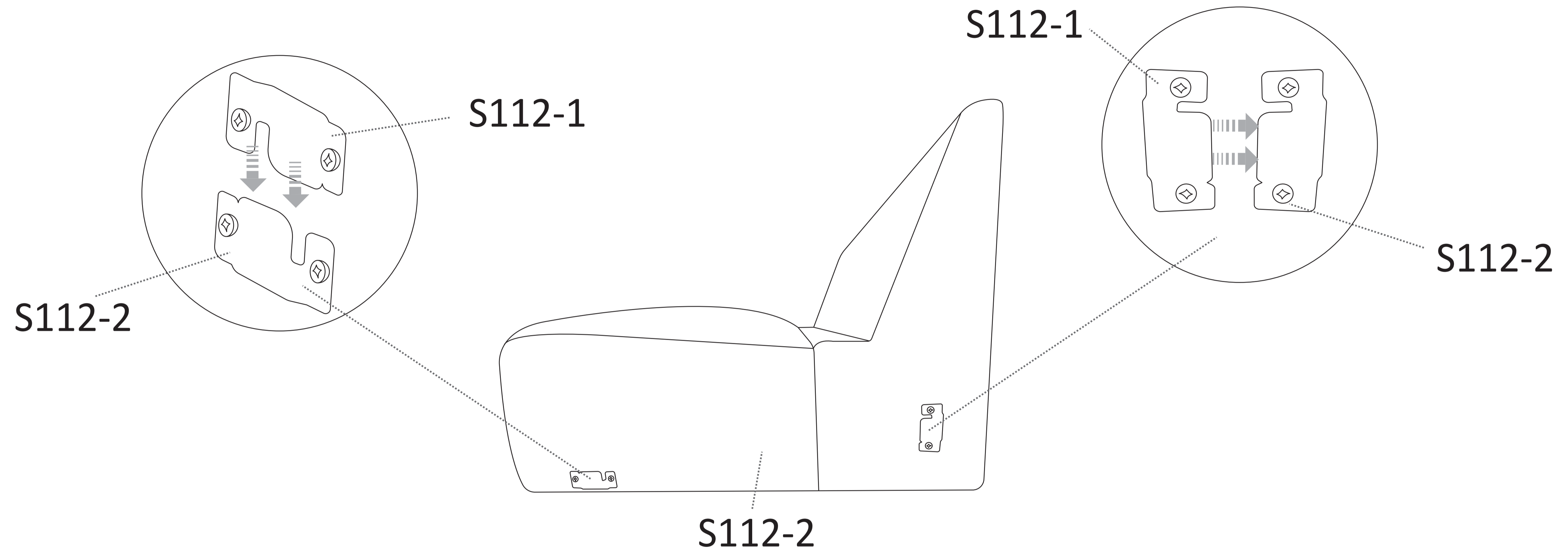
B × 10



C × 10

Assembly Instruction(2/2)

Step 4



Step 5

