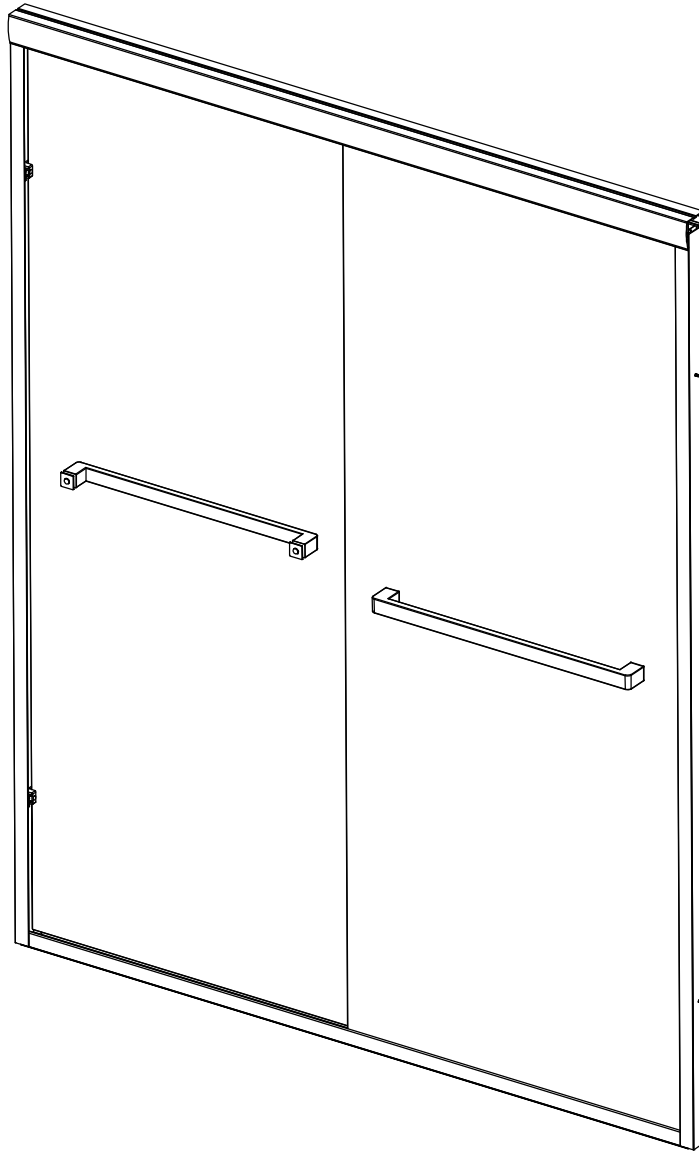
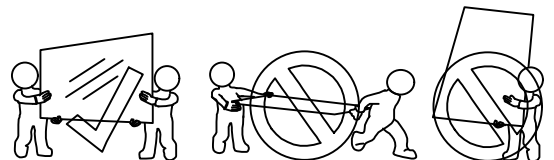


# INSTALLATION MANUAL

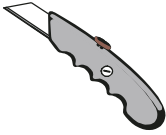
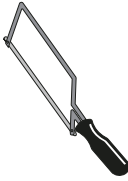


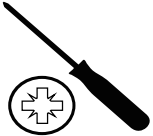
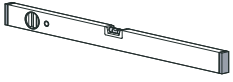
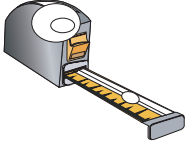

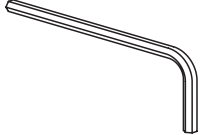


1219X1830MM	48"X72"
1372X1830MM	54"X72"
1524X1830MM	60"X72"
1524X1524MM	60"X60"



**NOTE: Installation Requires 2 People**

## Tools and Materials

		 <small>           Ø 2.8mm 14/127"            Ø 6mm 30/127"         </small>		
<b>Knife</b>	<b>Hack Saw</b>	<b>Drill</b>	<b>Caulk Gun</b>	<b>Screwdriver</b>
				
<b>Level</b>	<b>Tape Measure</b>	<b>Pencil</b>	<b>Allen Key</b>	

## Before You Begin

⚠ CAUTION: Risk of injury. Always wear safety glasses when cutting or drilling.

⚠ CAUTION: Risk of injury or product damage. Tempered glass cannot be cut.

- Before starting the installation, lay out and identify the parts. Inspect them for damage.
- The bath/shower or receptor should be installed/prepared at this time, including finished wall materials.

## Installation on Tiled Surfaces

If your shower door will be installed over tiles, ensure the tiles are fully laid beneath the door frame.

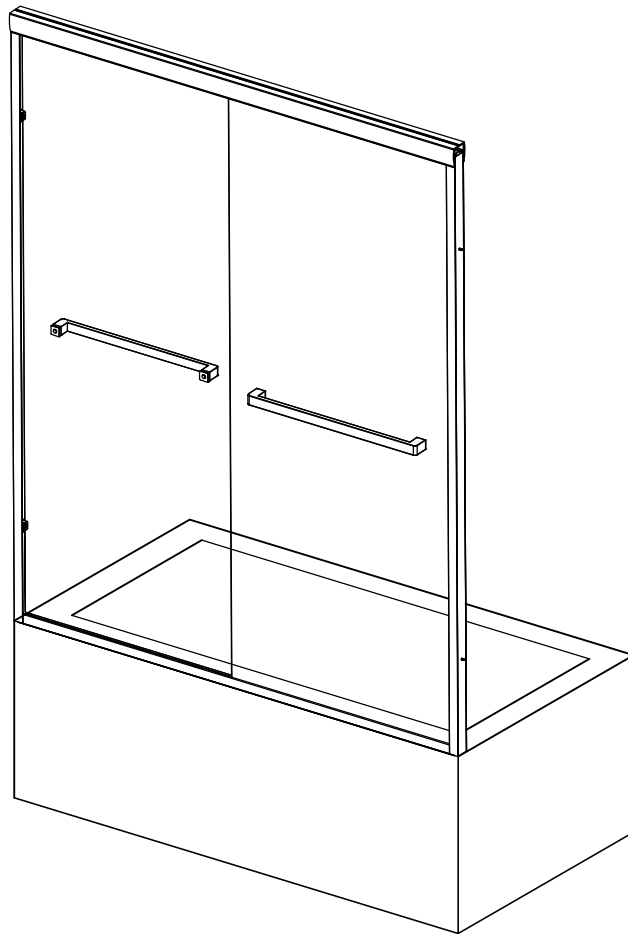
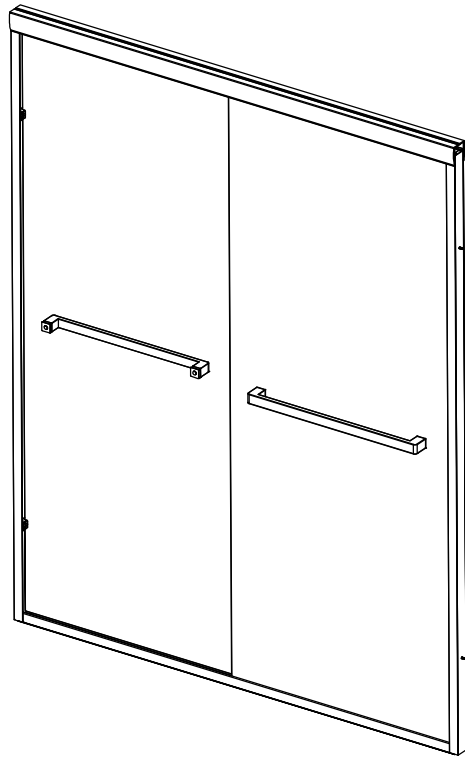
## Shower Door Care

Do not use abrasive pads or sharp tools on any metal parts or glass surfaces.

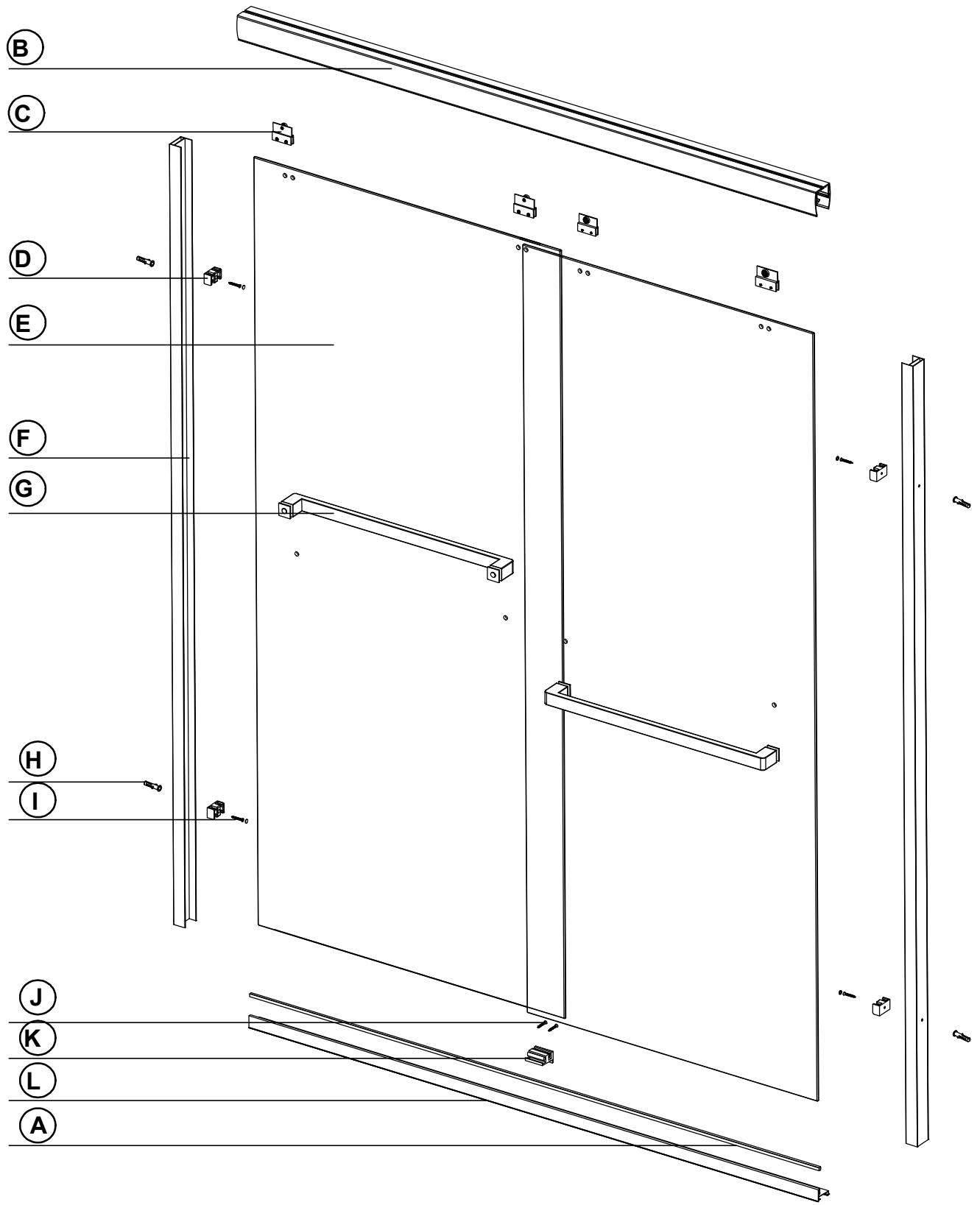
To maintain a clean and like-new appearance, wipe with diluted mild soap and water.

We recommend using a squeegee to dry the glass panels after each use.

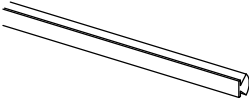
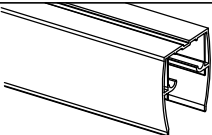
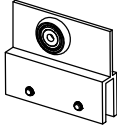
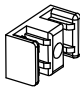
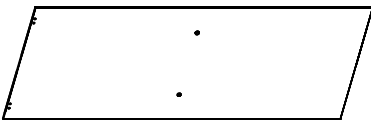
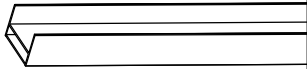

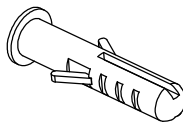


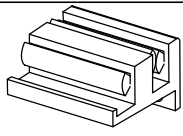
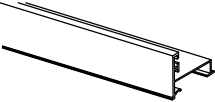
# Universal Manual – Applicable to the Following Configurations



# Detailed Diagram of Shower Door Components

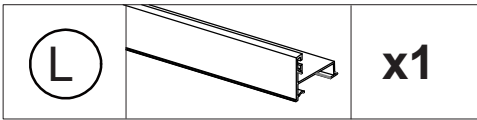


◆ Parts List

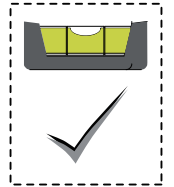
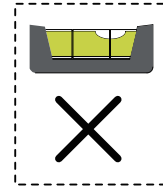
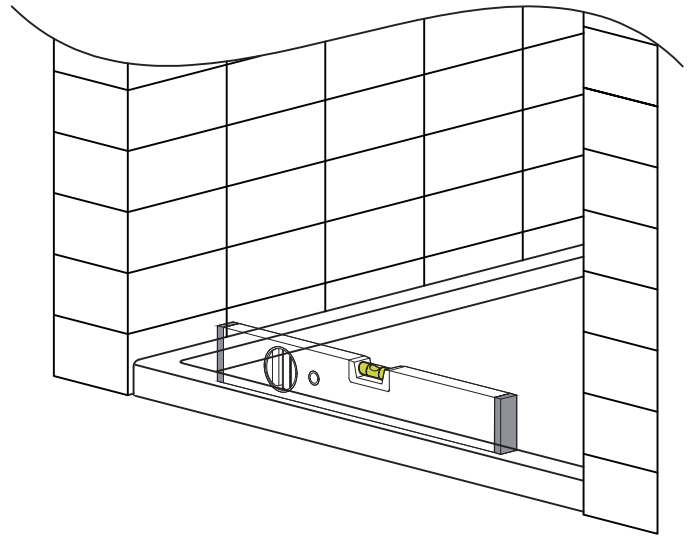
ITEM	PARTS	DIAGRAM	QTY
A	Weatherstripping		x1
B	Top Track		x1
C	Roller		x4
D	Bumper		x4
E	Door Panels		x2
F	Wall Jamb		x2
G	Towel Bar		x2
H	Wall Anchors Ø6		x4
I	Screw ST 4X30mm		x4
J	Screw ST 4X8mm		x2
K	Bottom Guide Block		x1
L	Bottom Track		x1

## STEP 1.1

### Measure and Cut the Bottom Track

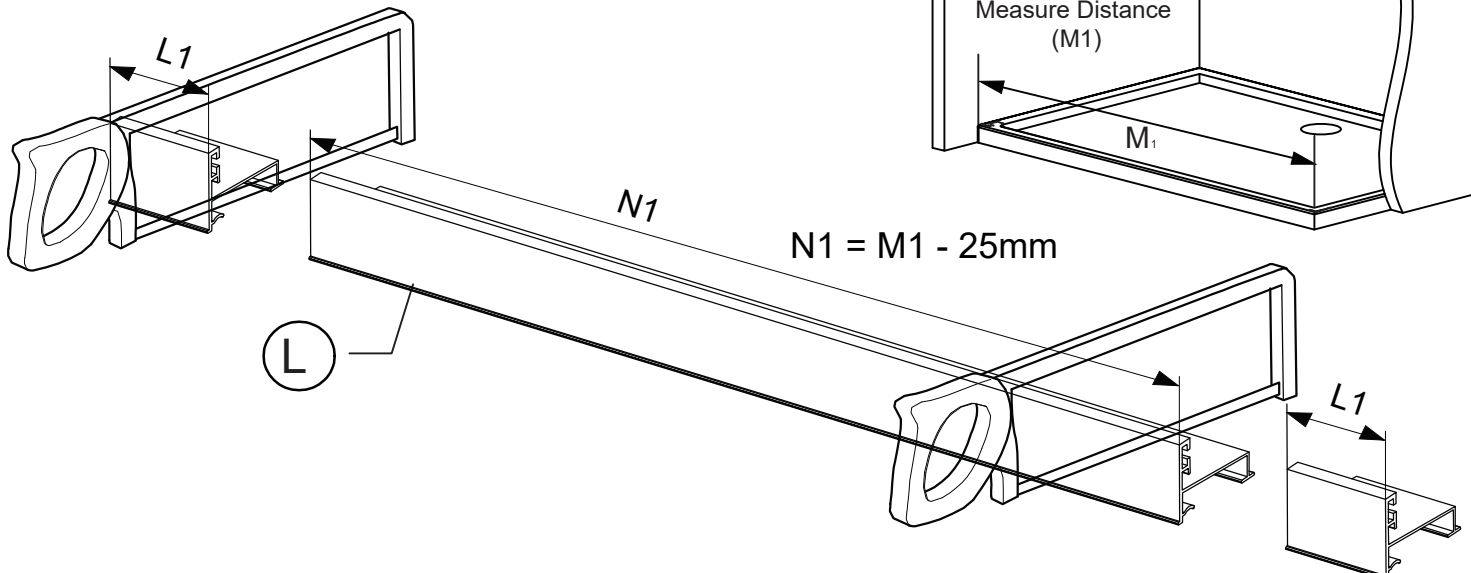


THE INSTALLATION SHOWN IS BASED ON PLUMB FINISHED WALLS AND A LEVELLED BASE. IF THESE CONDITIONS ARE NOT MET, PLEASE ADJUST ACCORDINGLY.






## STEP 1.2

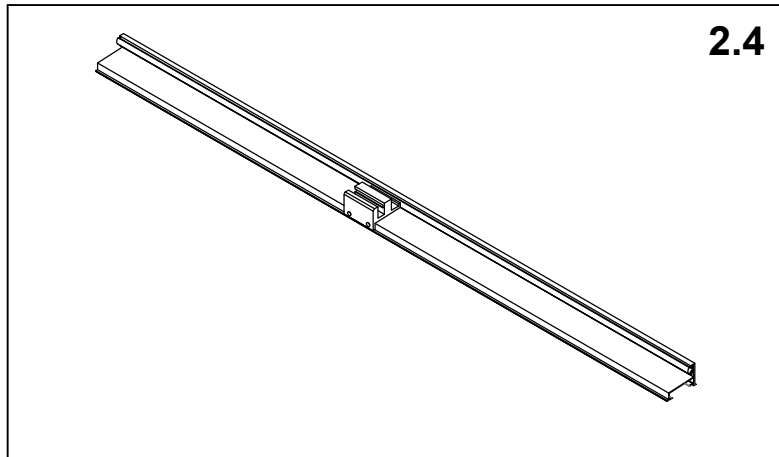
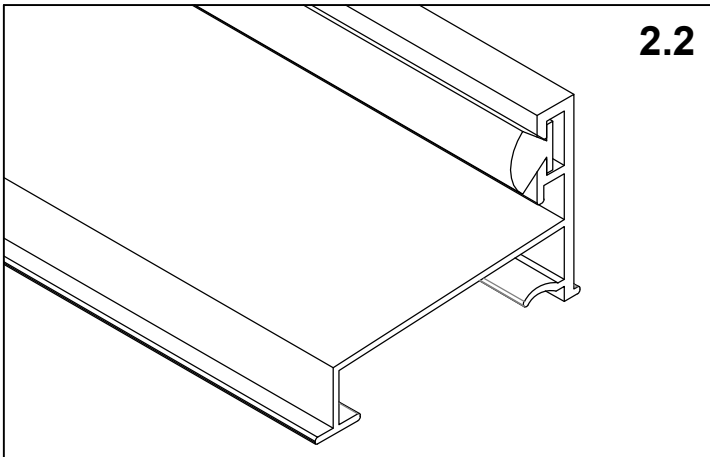
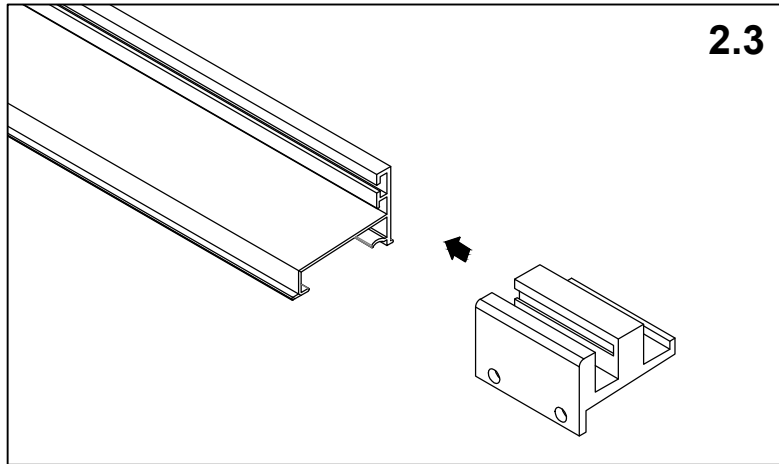
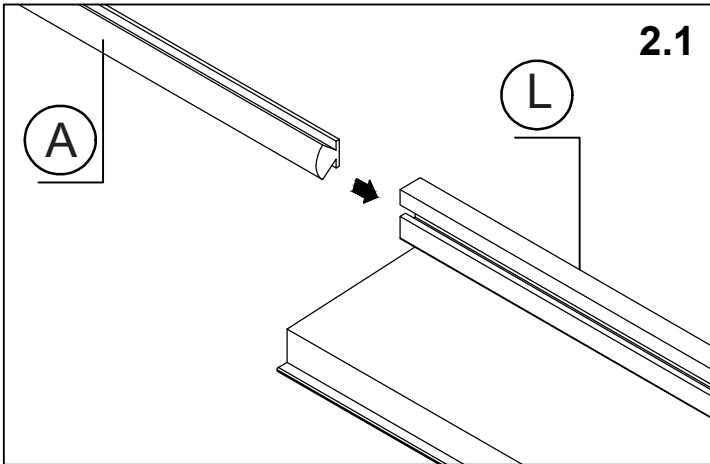
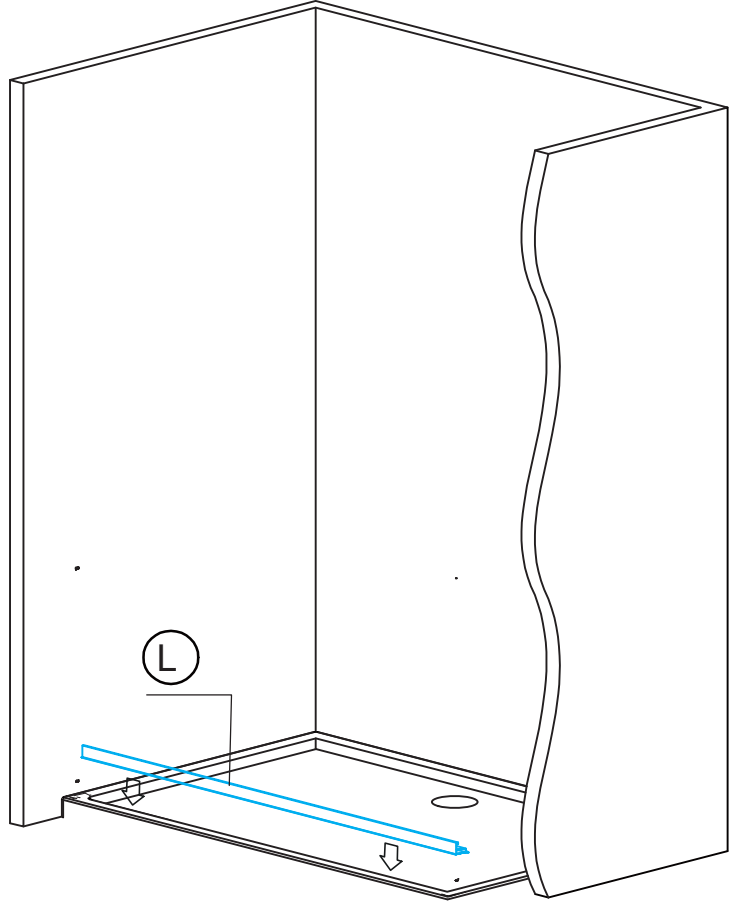
### Measure and Cut the Bottom Track



# STEP 2

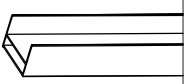

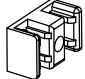

## Install the Bottom Track

- (K)  x1
- (L)  x1
- (A)  x1



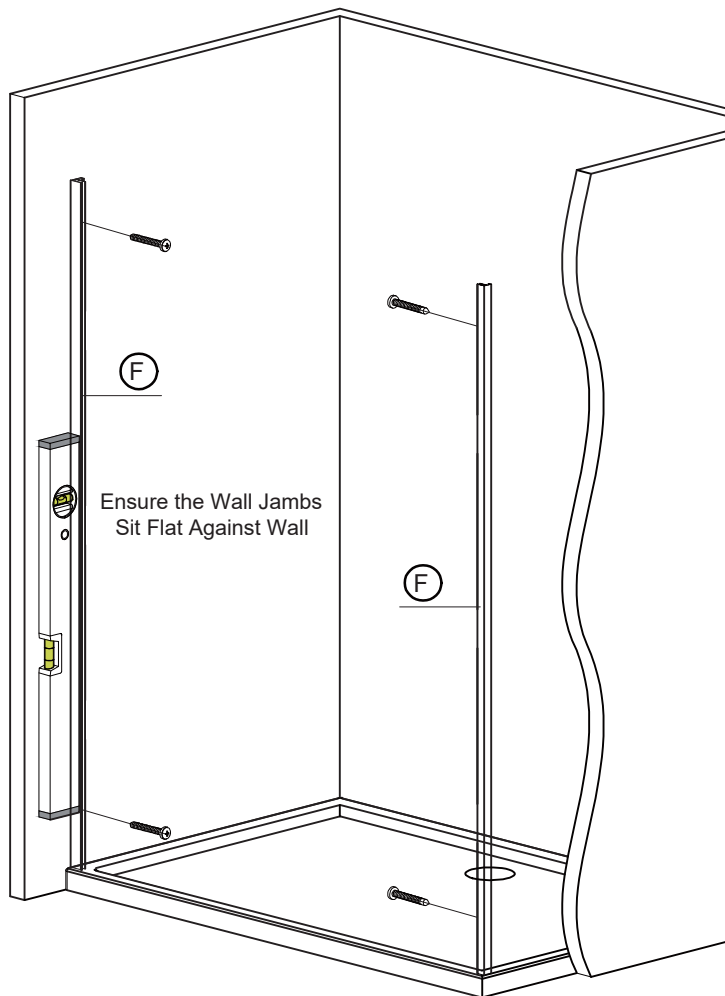
# STEP 3

## Install the Wall Jamb on Both Sides

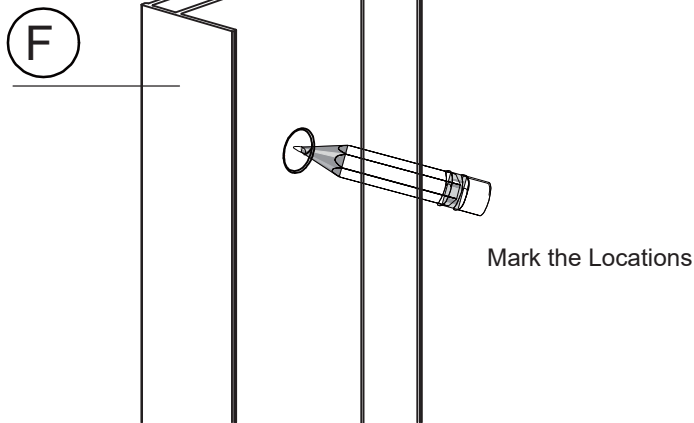
(F)		x2
(H)		x4
(D)		x4
(I)		x4



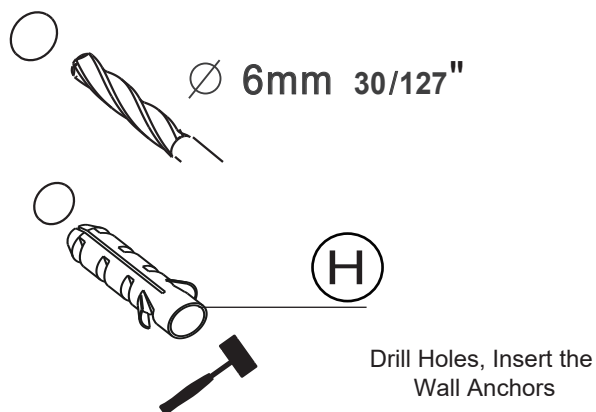
THE INSTALLATION SHOWN IS BASED ON PLUMB FINISHED WALLS AND A LEVELLED BASE. IF THESE CONDITIONS ARE NOT MET, PLEASE ADJUST ACCORDINGLY.



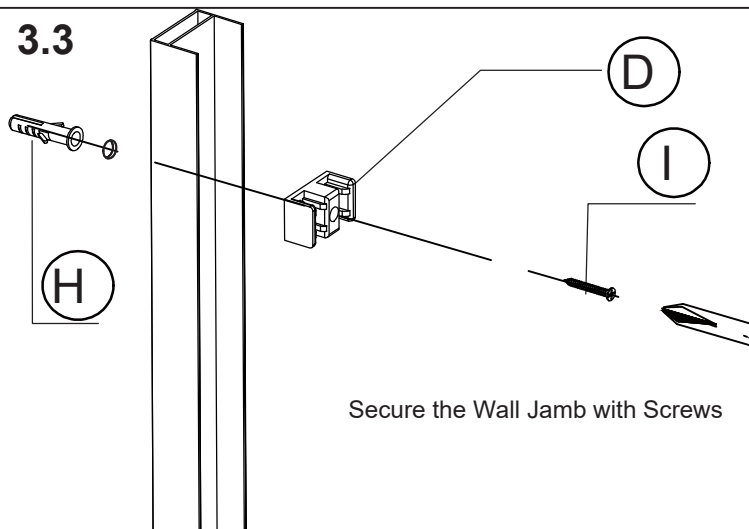
### 3.1



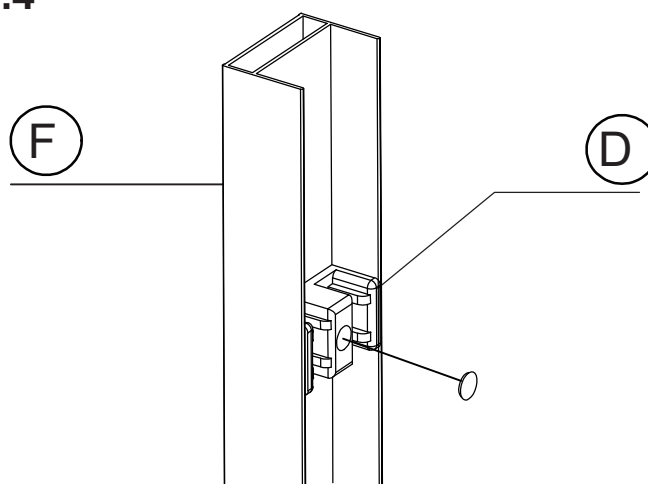
### 3.2



### 3.3



### 3.4



# STEP 4

## Measure and Cut the Top Track

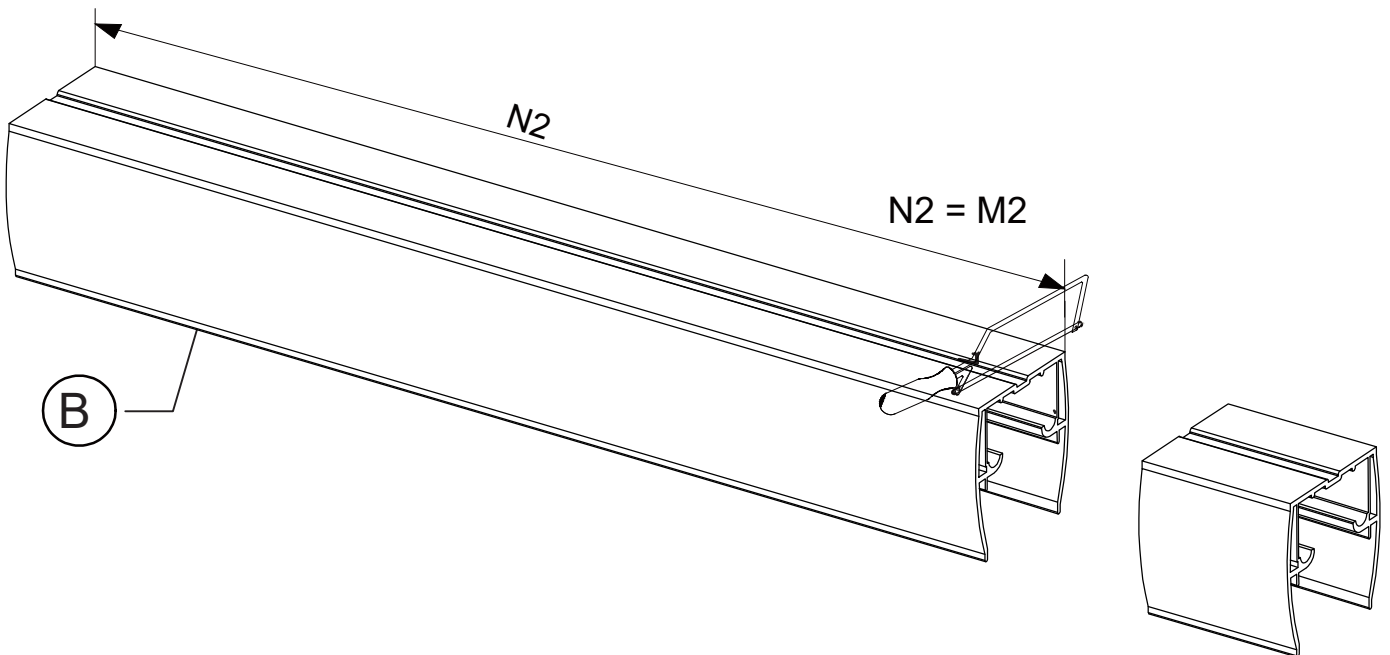
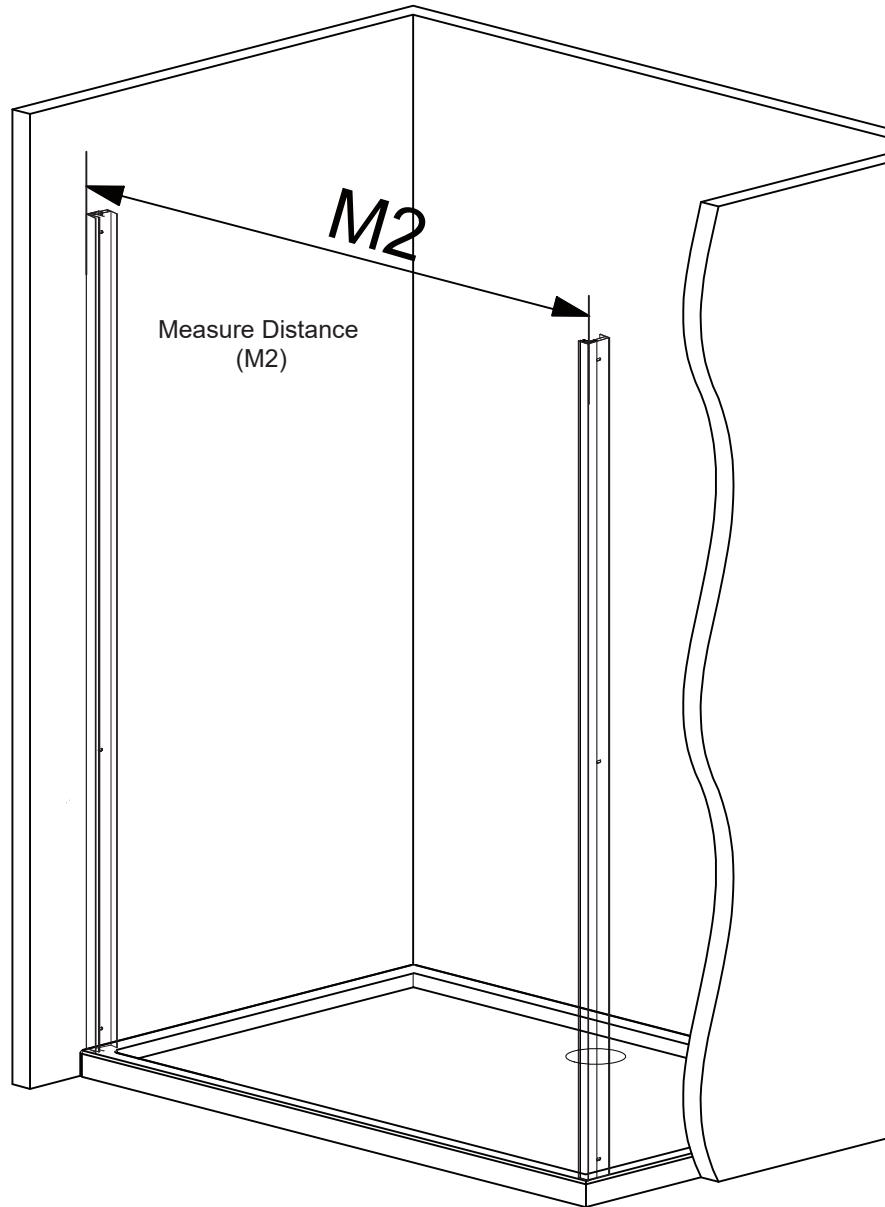
B



x1



THE INSTALLATION SHOWN IS BASED ON PLUMB FINISHED WALLS AND A LEVELLED BASE. IF THESE CONDITIONS ARE NOT MET, PLEASE ADJUST ACCORDINGLY.



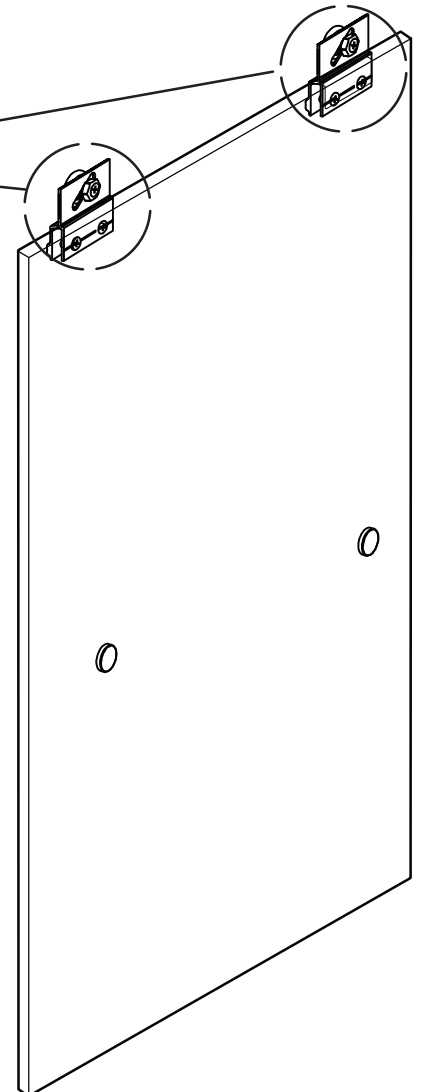
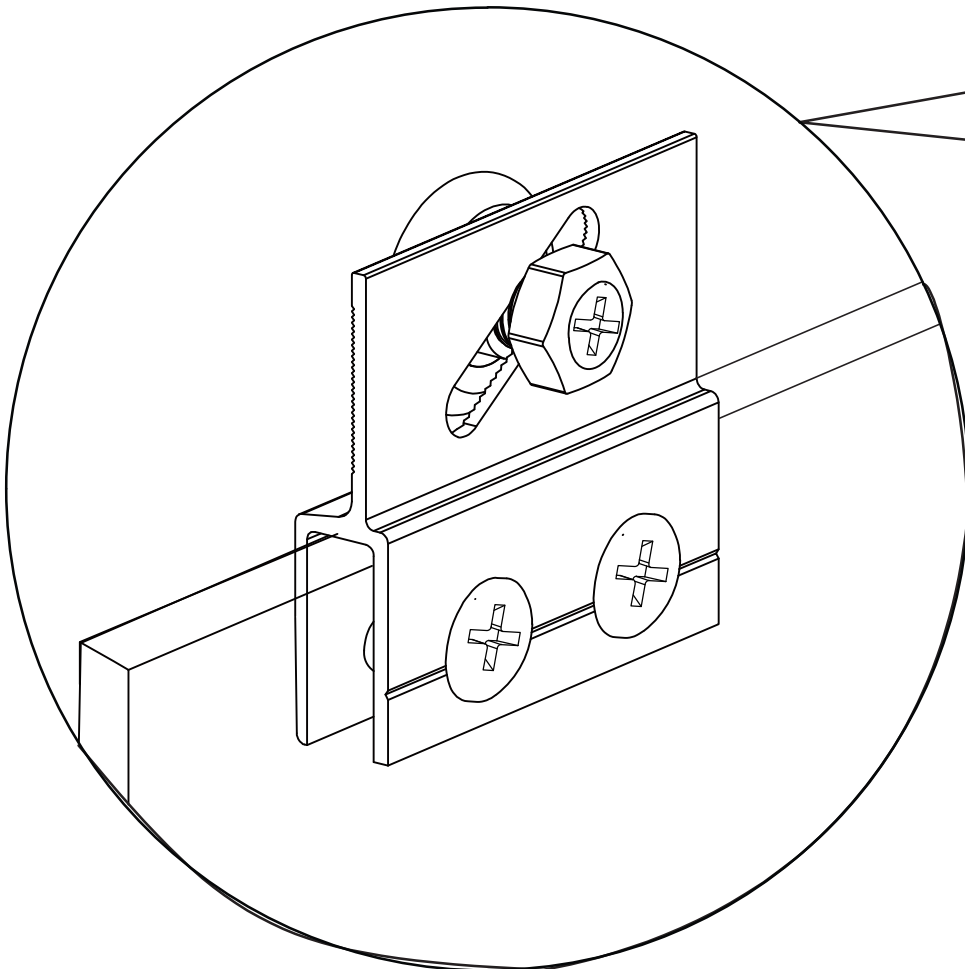
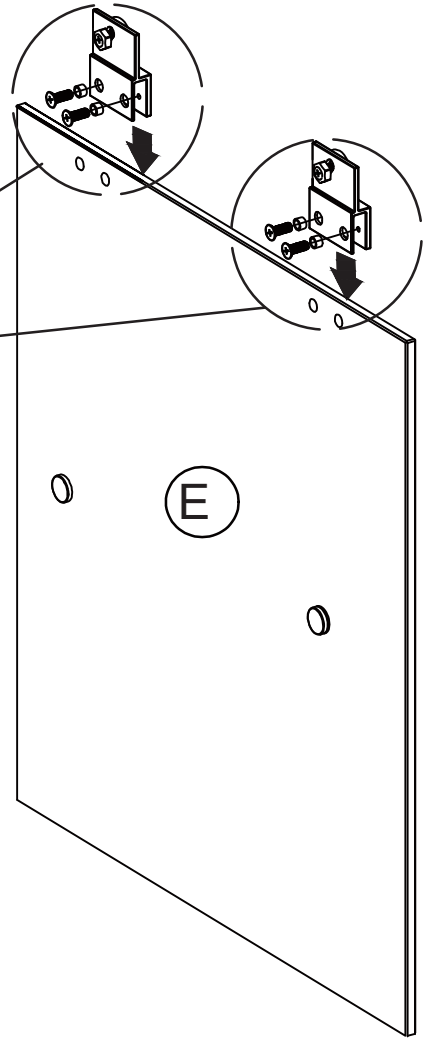
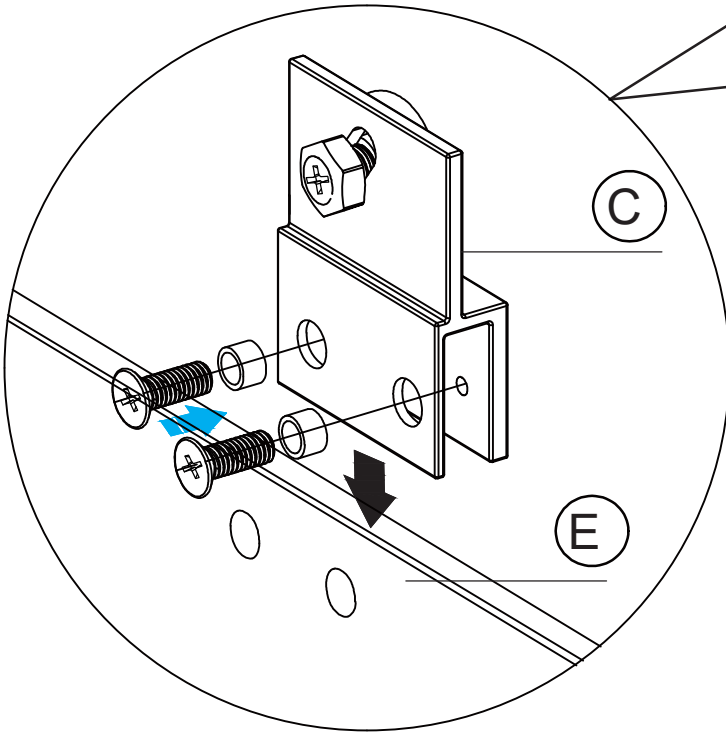
# STEP 5

## Install the Rollers on Door Panels

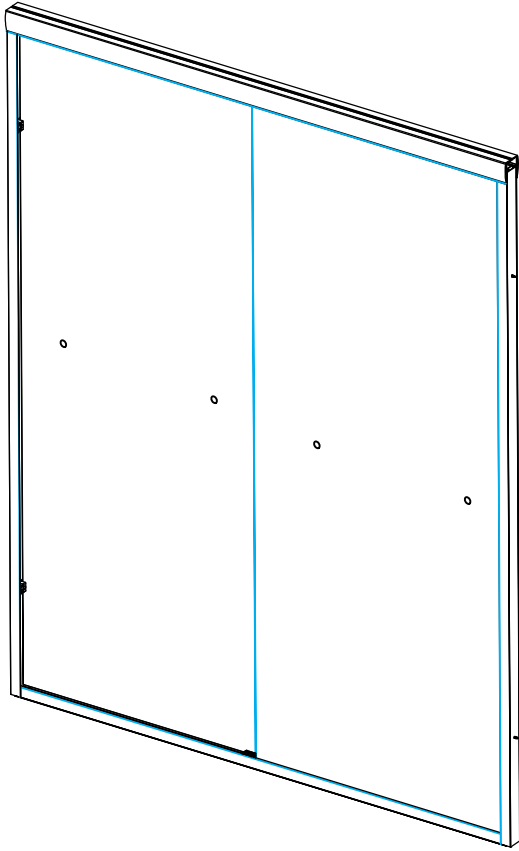
C



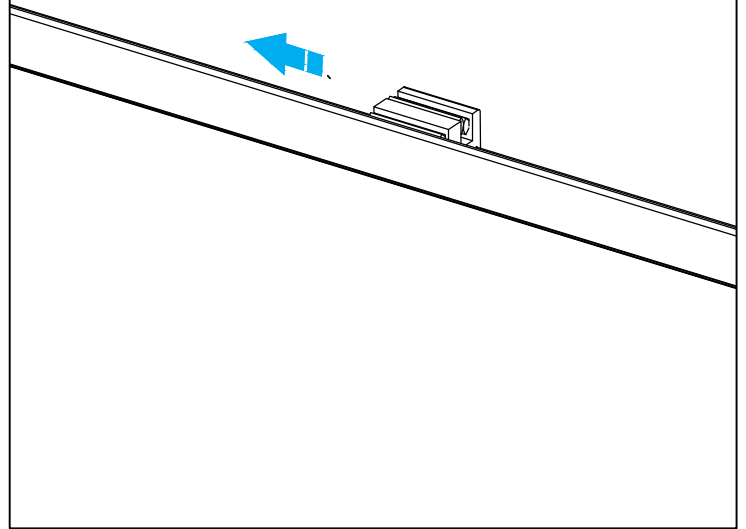
x4



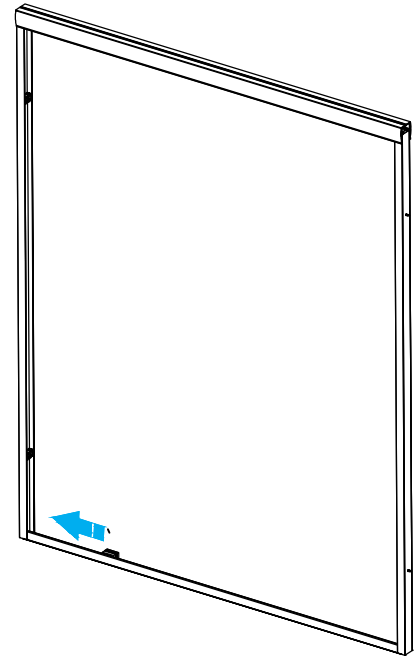
**STEP 6**  
**Hang Door Panels on Top Track**



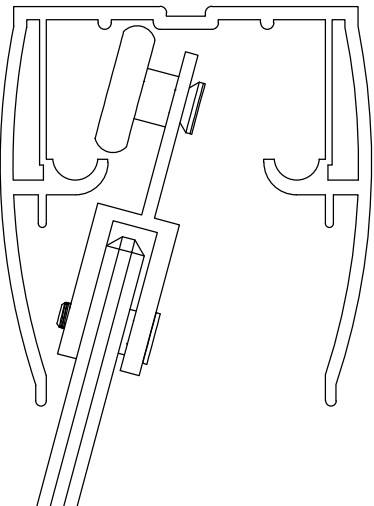
6.1



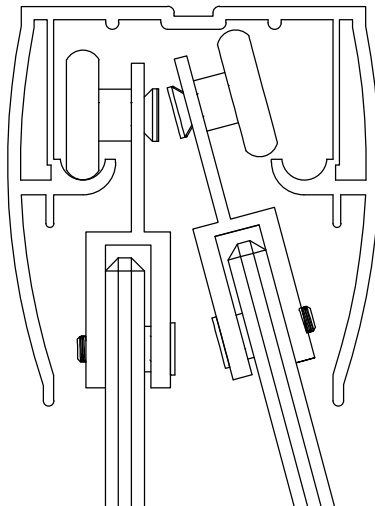
6.2



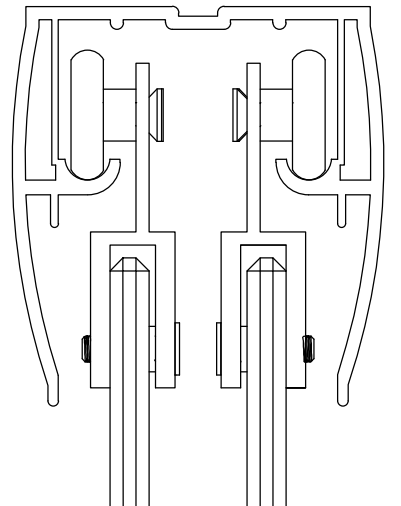
6.3



6.4



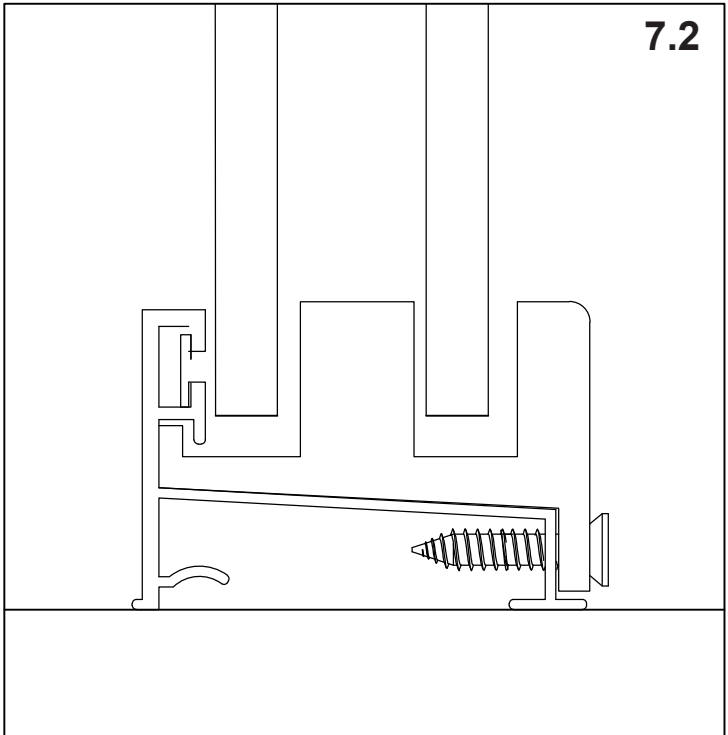
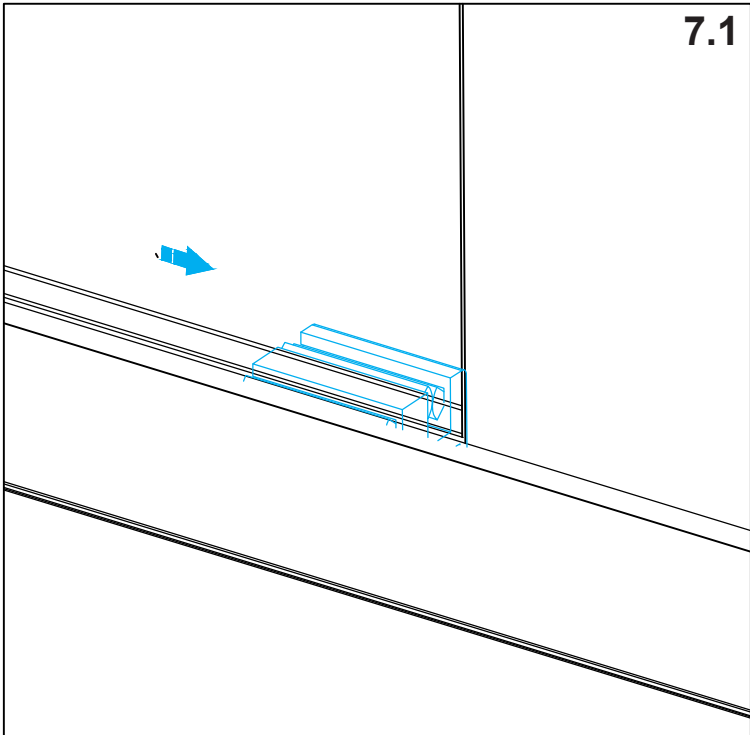
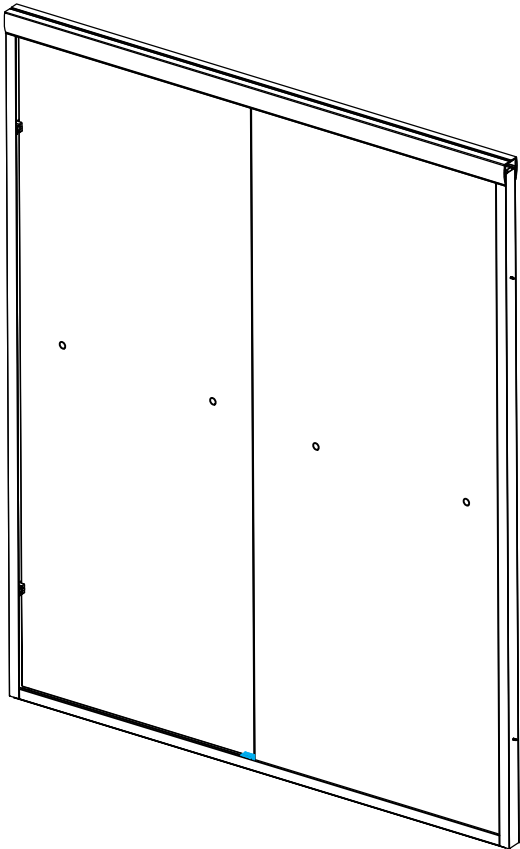
6.5



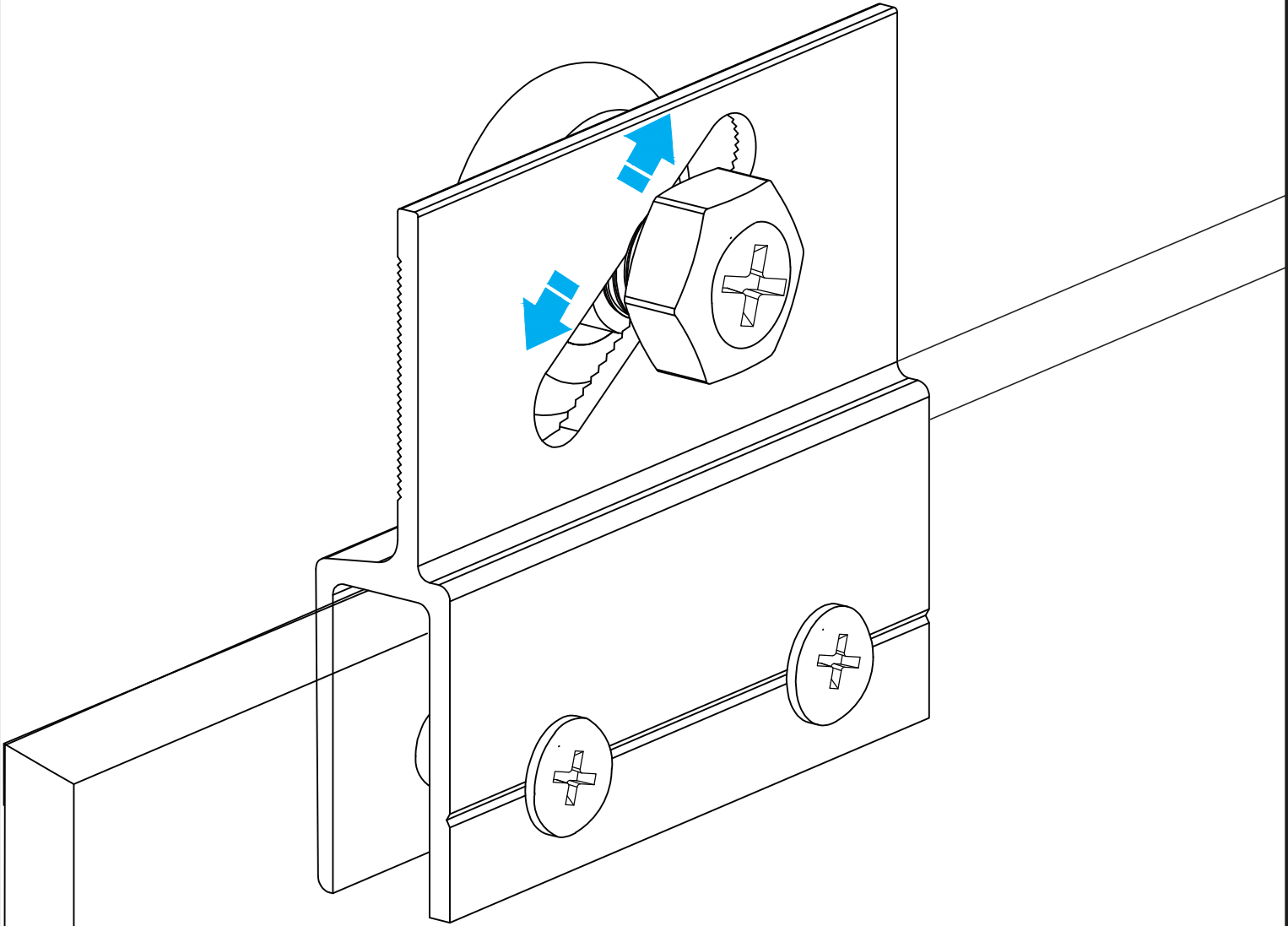
# STEP 7

## Install the Bottom Guide Blocks

J		x2
---	---	----



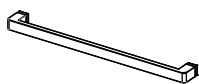
**NOTE:** If the door panels are misaligned or not vertical after installation, adjust the screw above the rollers to correct their position.



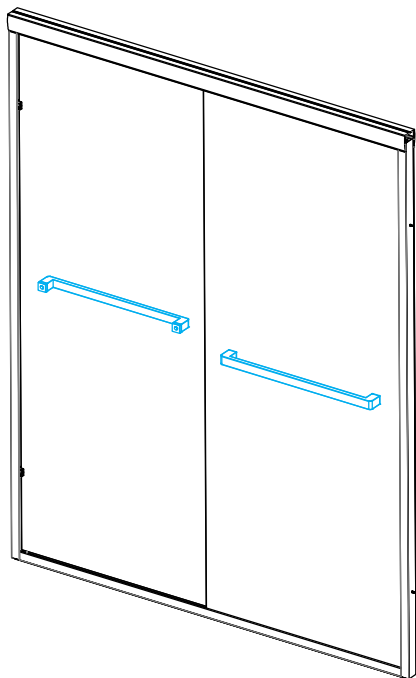
## STEP 8

### Attach Towel Bar to Door Panels

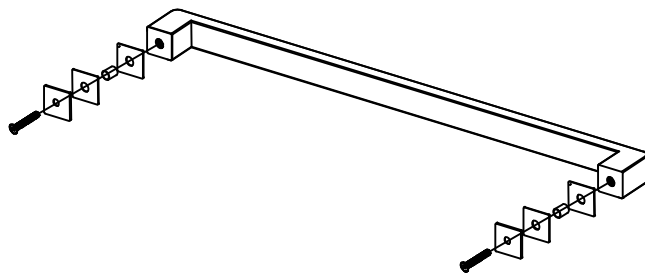
G



x2



8.1



## STEP 9

### Sealing

NOTE

The surfaces need to be clean and free of debris before applying silicone.

NOTE

Make sure that the shower door is tightly closed and opens smoothly. Use silicone sealant to seal along the entire length of the Wall Jamb (F) and Bottom Track (L).



Allow 24 hours for the silicone to cure before using the shower.

24  
hour

