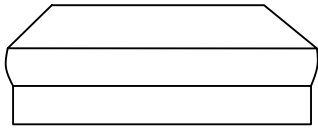
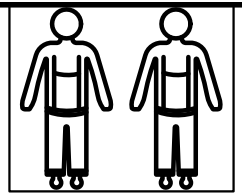
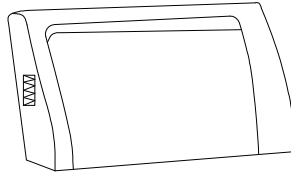


ASSEMBLY INSTRUCTION



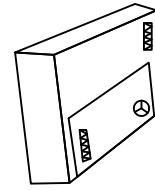
A*1

Seat Cushion Base with Storage



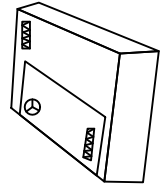
B*1

Back Support



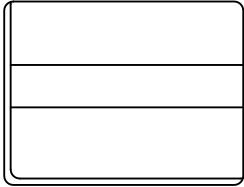
C*1-LEFT

Left Armrest



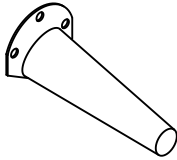
C*1-RIGHT

Right Armrest



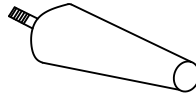
D*1

Back Cushion



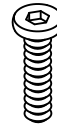
F*2

Back Legs



G*2

Front Legs



H*6

Screws



I*1

Allen Wrench



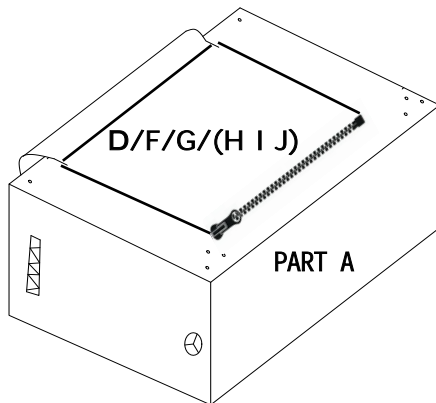
J*4

Anti-Slip Pads

STEP 1

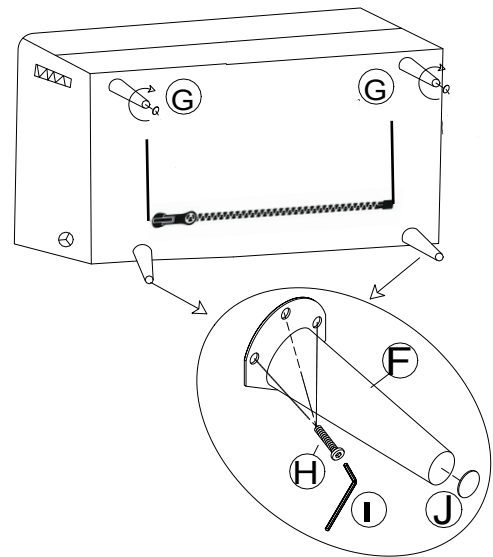
Place Part A (Seat Cushion Base with Storage) upside down.

Locate the zipper on the bottom side and unzip it to access the internal compartment.

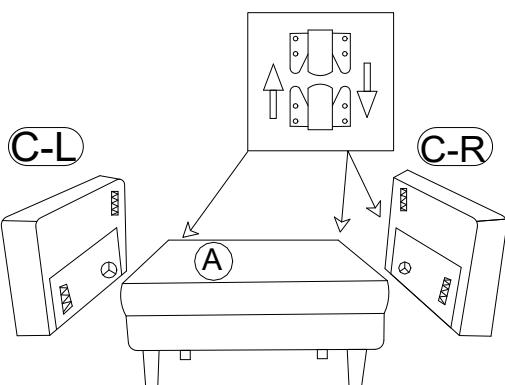


Remove Part D (Back Cushion) from the compartment. Inside, you will also find Parts F and G (Legs), as well as the hardware kit including H, I, and J.

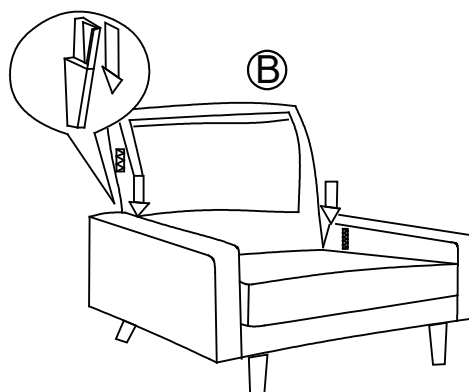
STEP 2



STEP 3



STEP 4



STEP 5

