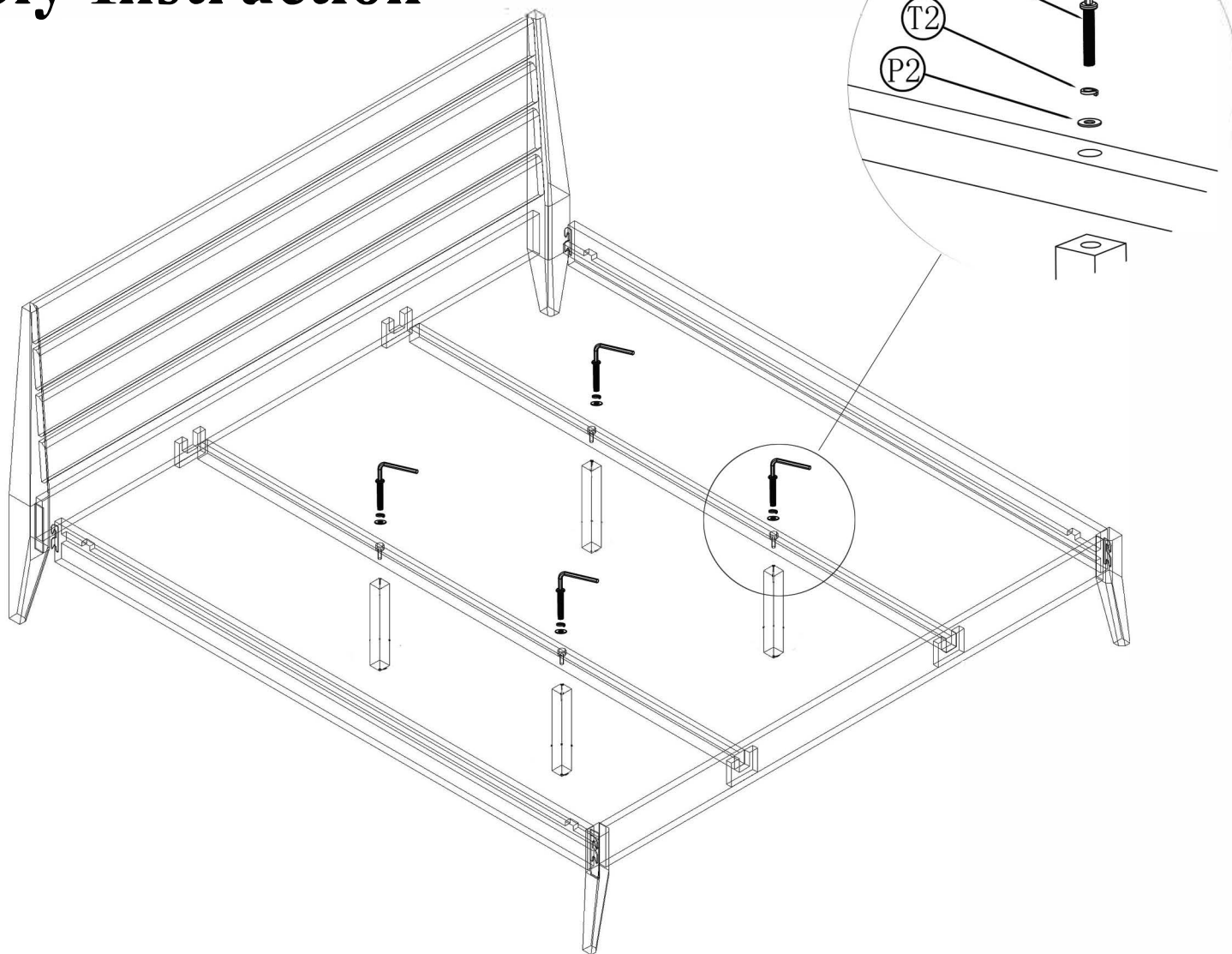


Assembly Instruction



P2	@	Φ5/16x16x1.5T 4 PCS
T2	⊗	Φ5/16x13x1.5T 4 PCS
L10	⌒	Φ5/16 x 60mm 4 PCS
B2	⌒	5 mm 1 PC