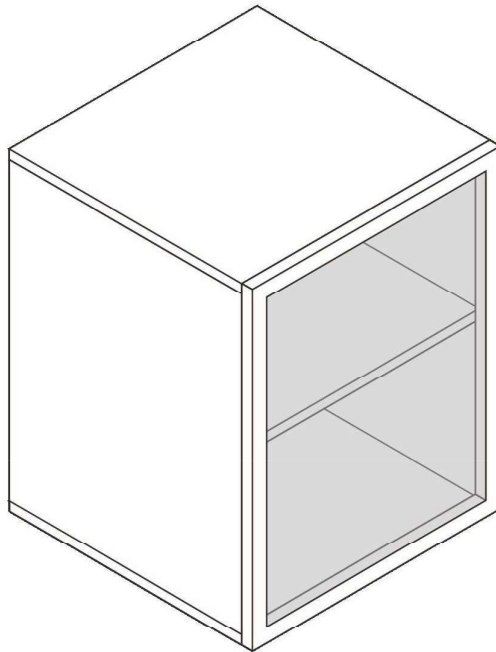


# Installation & Assembly

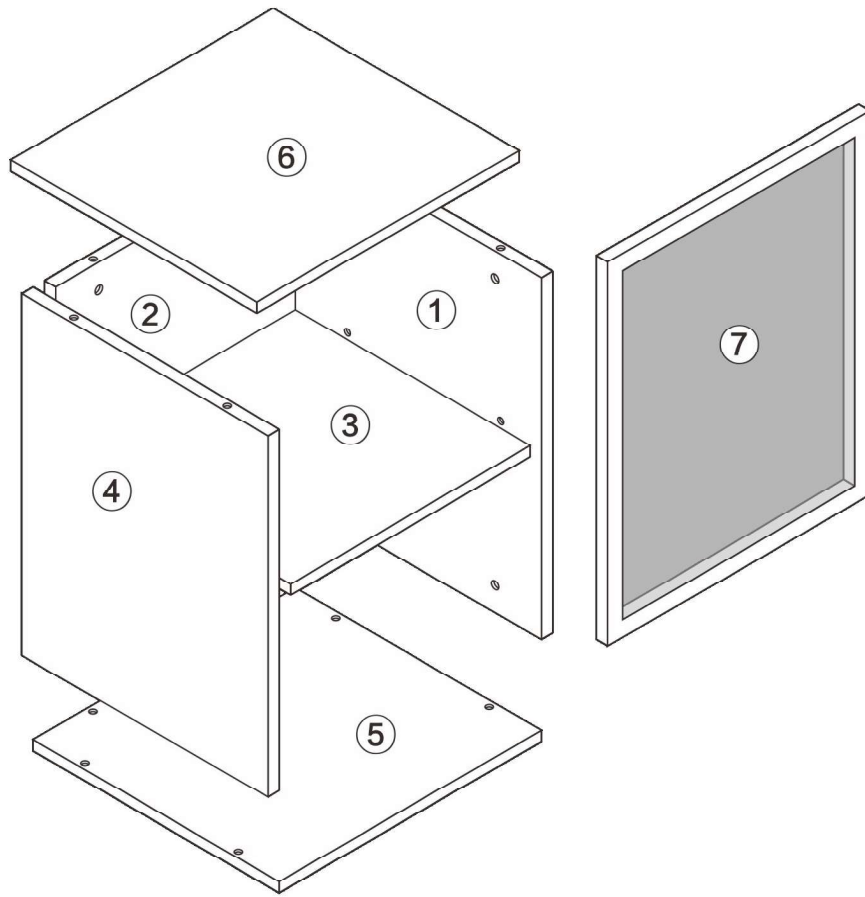
## Side cabinet



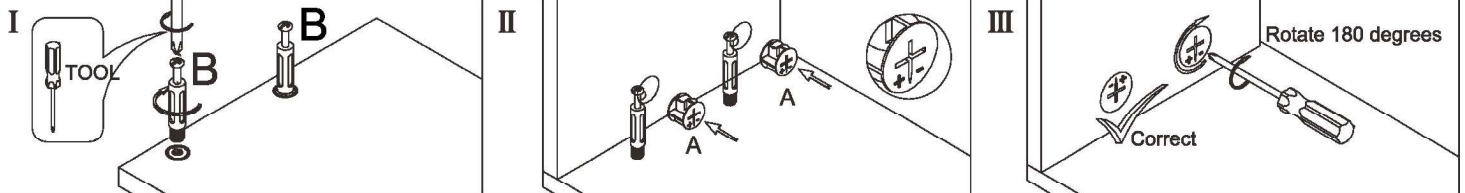
L400\*W380\*H510MM


### Installation Instructions


Notes: Don't tighten screws completely at first, just in case parts were assembled wrongly and need disassemble. Tighten screws at last when all parts are put together.





Disassembly and installation of accessories

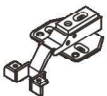



<b>A</b>	20PCS
	
15*10mm	

<b>B</b>	20PCS
	
6*28mm	

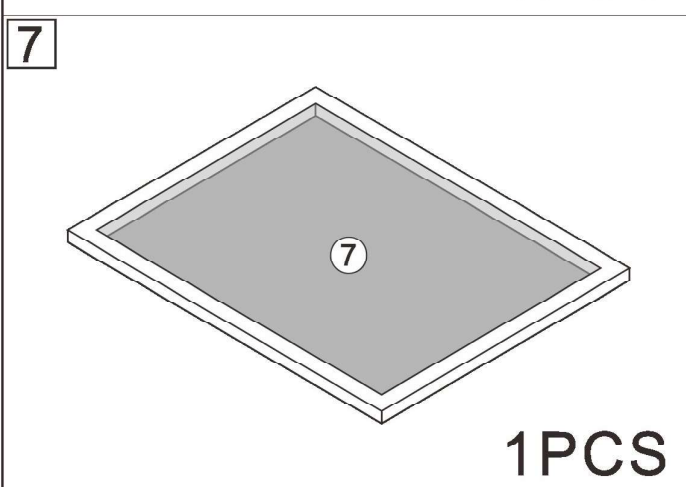
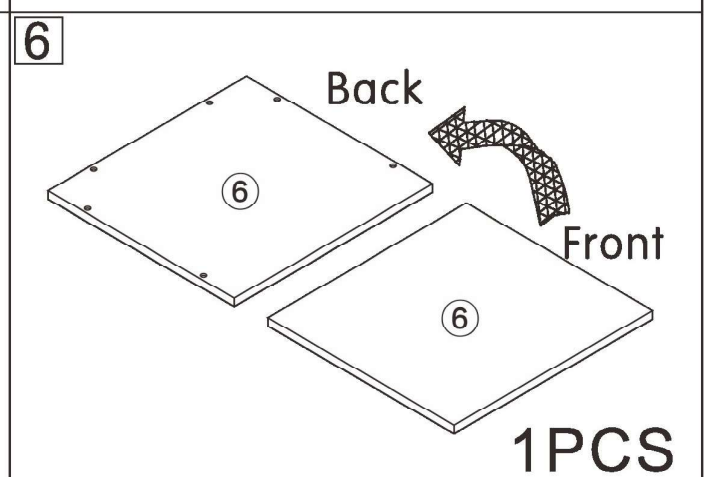
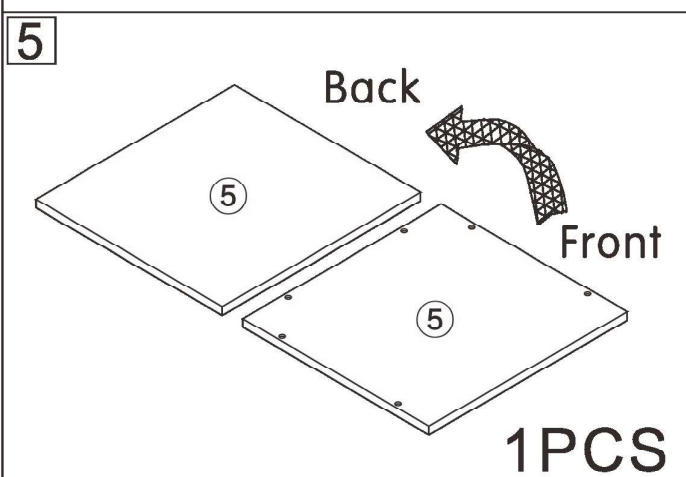
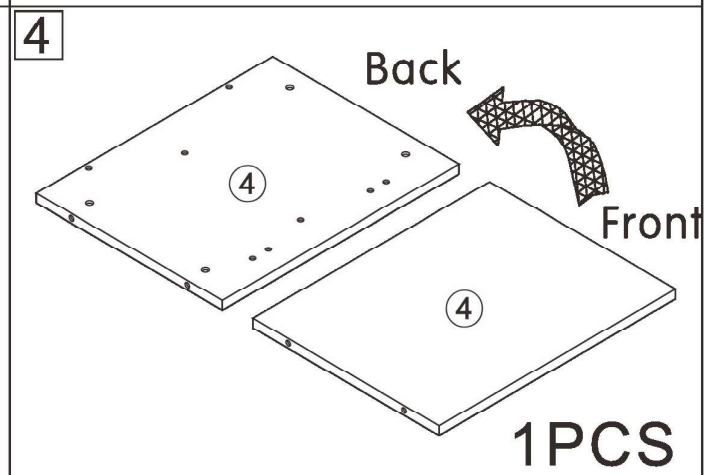
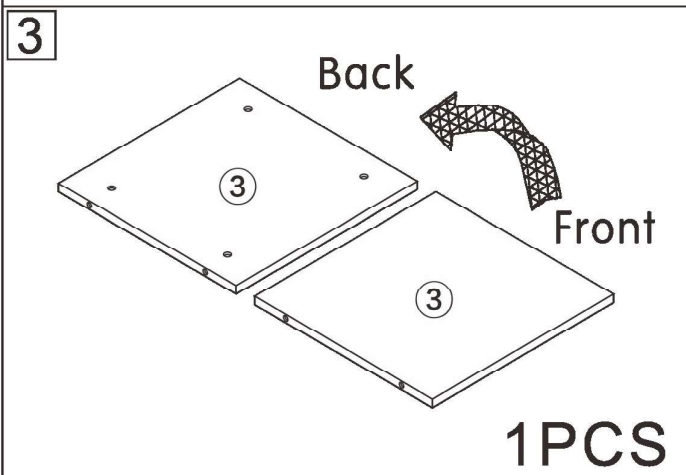
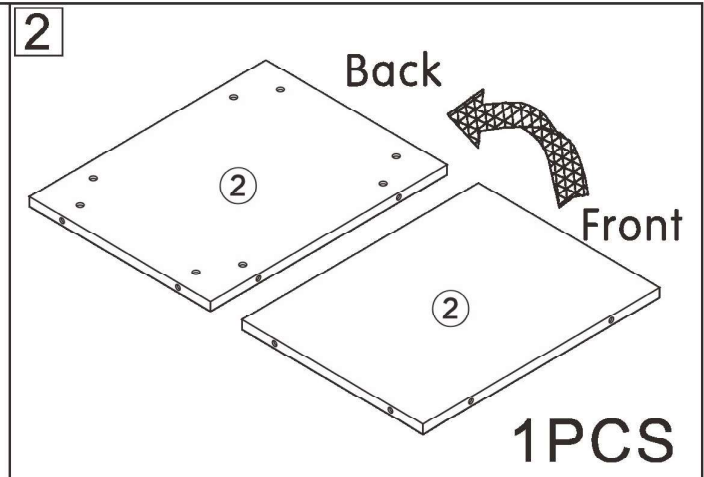
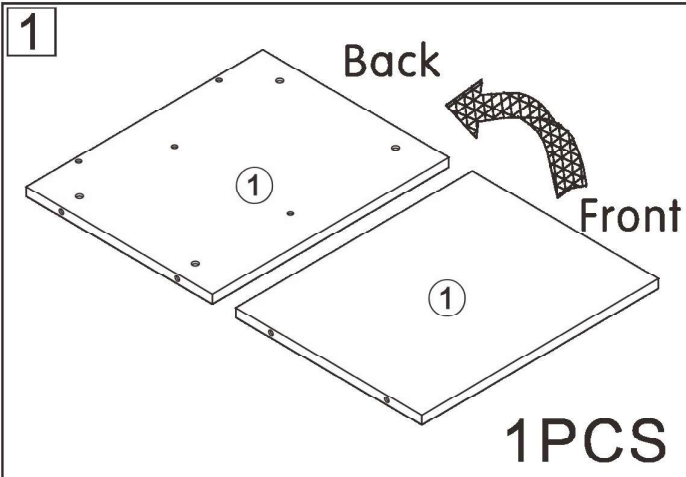
<b>C</b>	8PCS
	
3.5*14mm	

<b>D</b>	8PCS
	
4*12mm	

<b>E</b>	2PCS
	

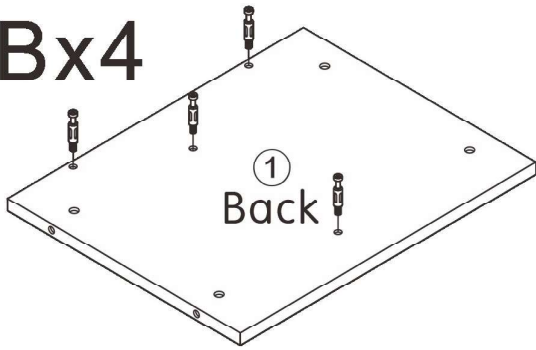
<b>F</b>	8PCS
	


Tools Recommended

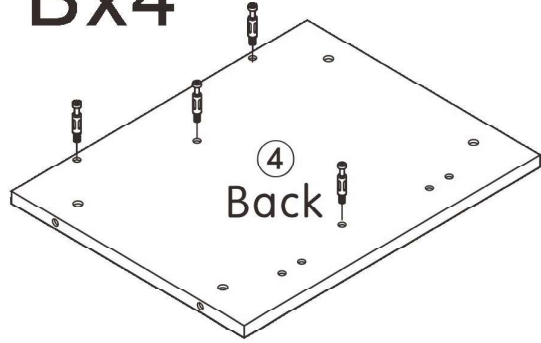


1

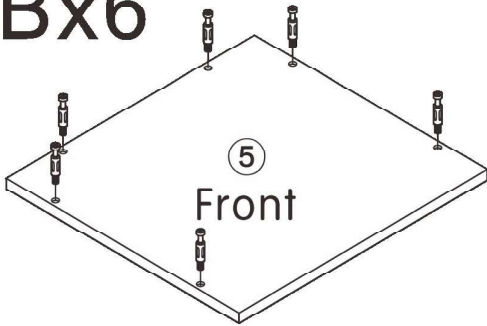
Bx4



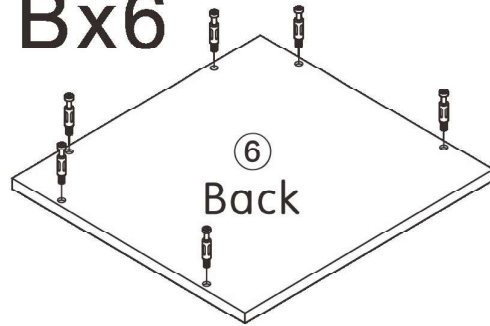
Bx4




Bx6

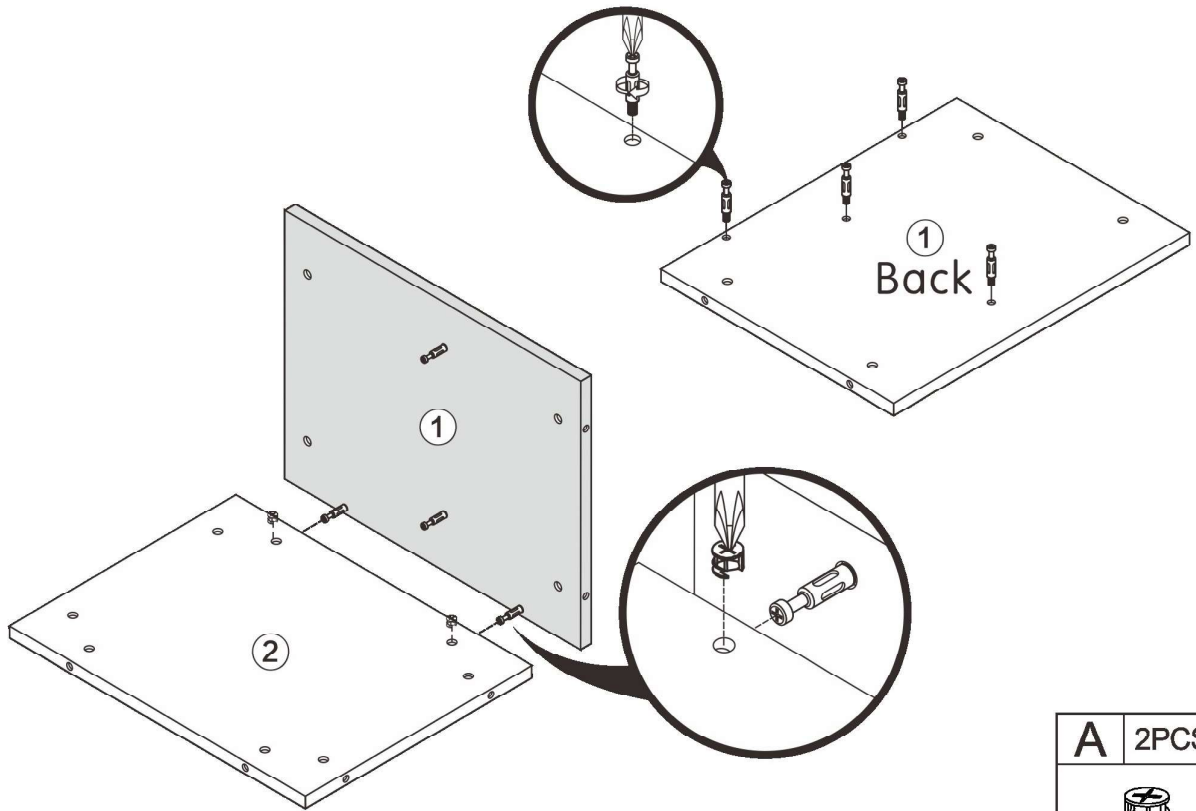



Bx6



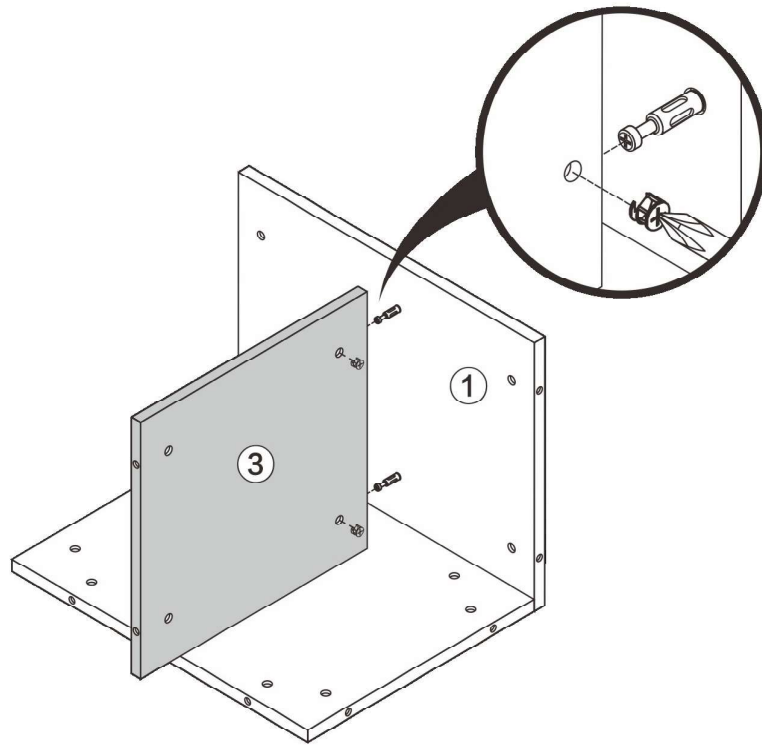
<b>B</b>	20PCS
	
6*28mm	


2



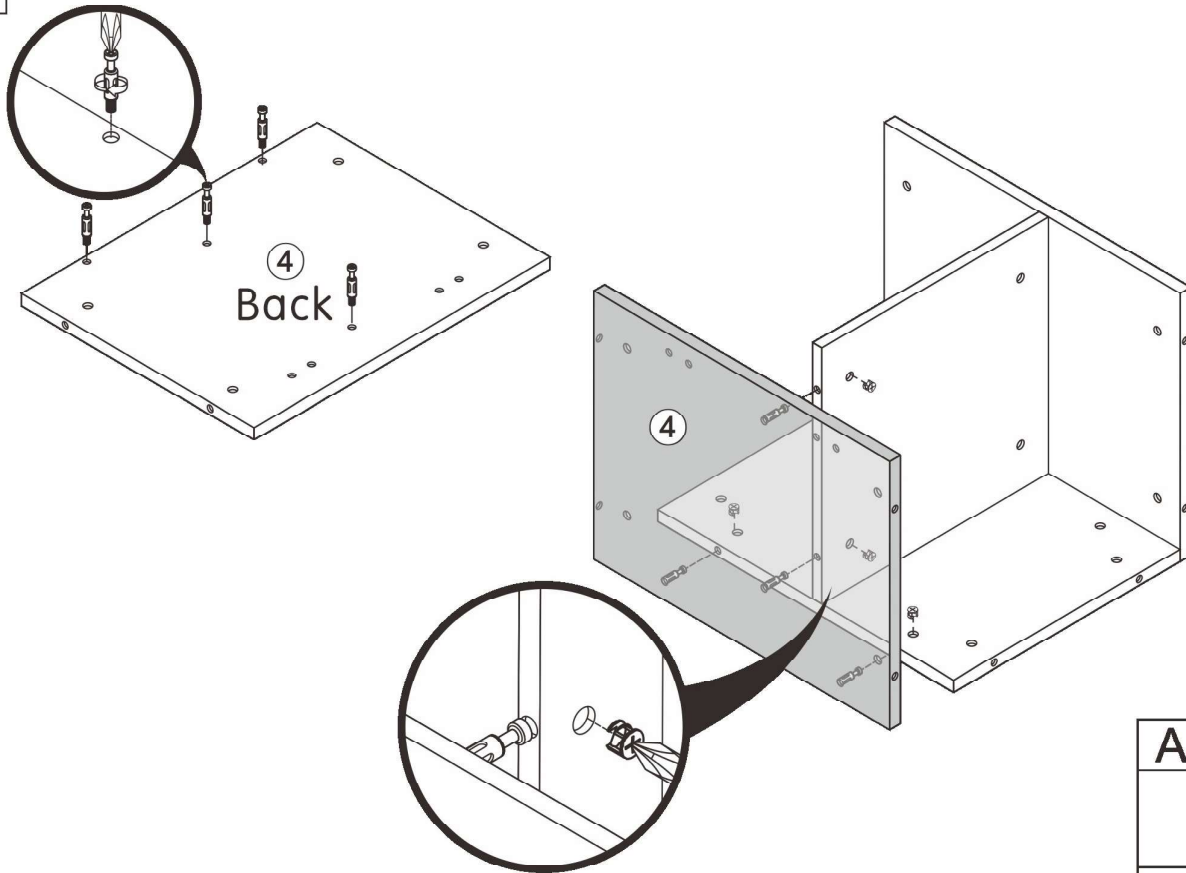
A	2PCS
	
15*10mm	


3



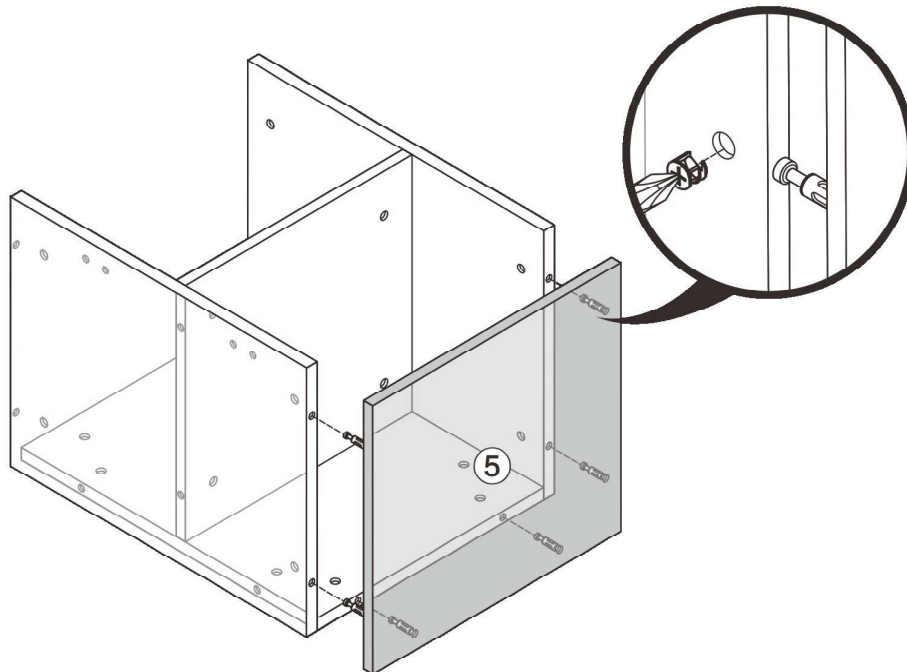
A	2PCS
	
15*10mm	


4



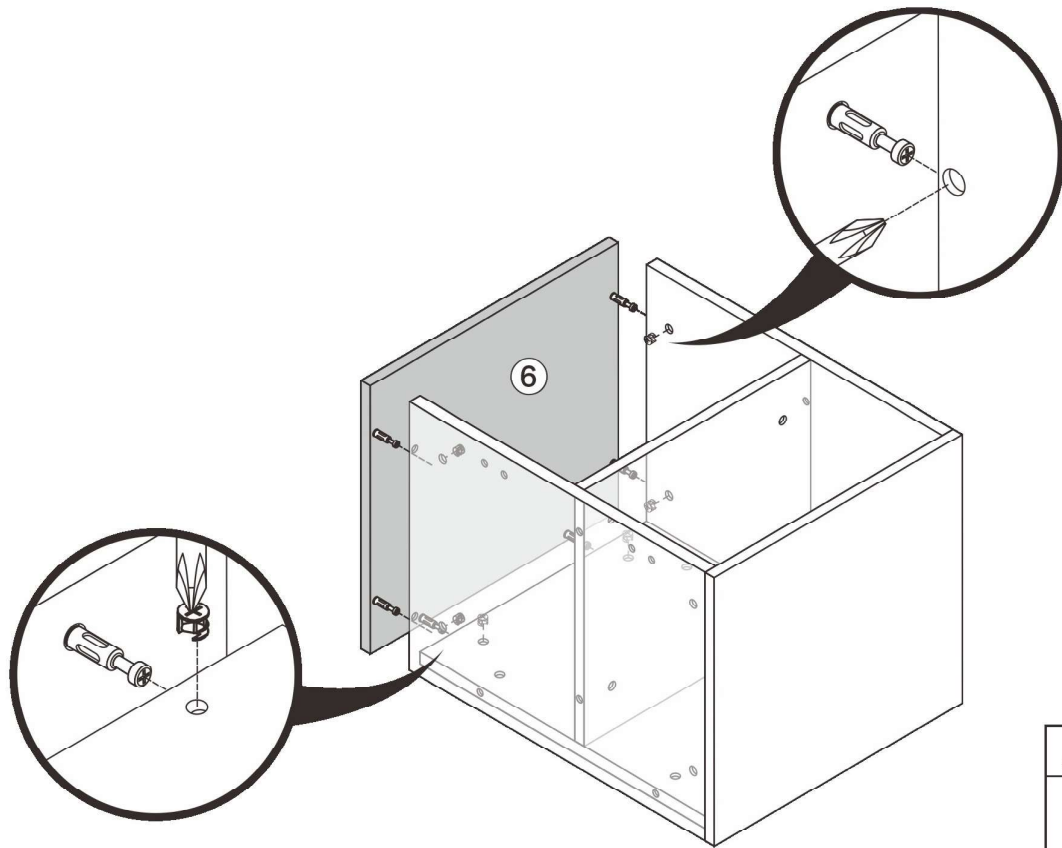
A	4PCS
	
15*10mm	


5



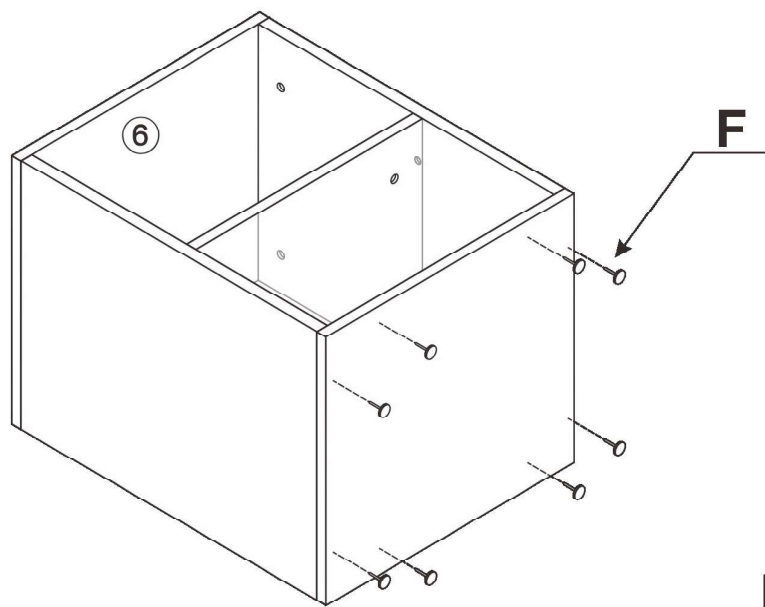
A	6PCS
	
15*10mm	


6

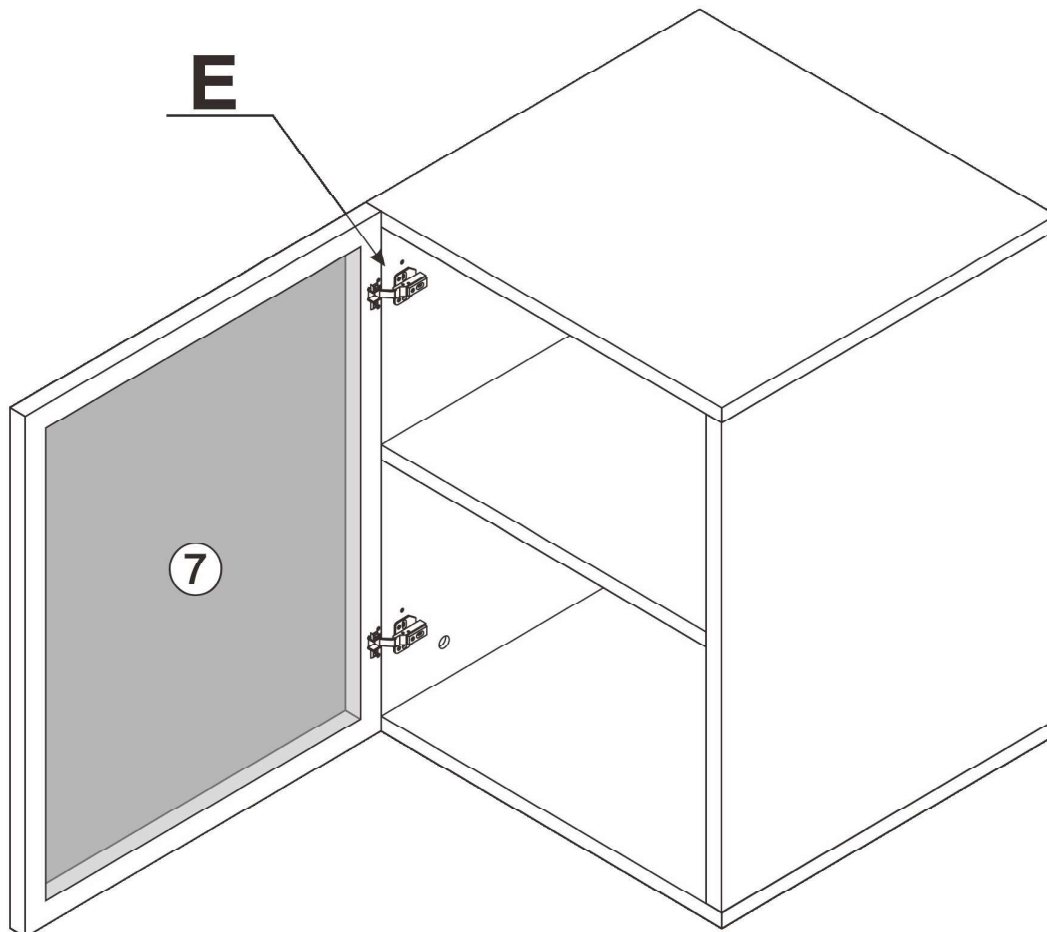


A	6PCS
	
15*10mm	



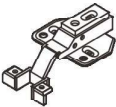
7



F	8PCS
	



ok!

<b>C</b>	4PCS	<b>D</b>	4PCS	<b>E</b>	2PCS
					
3.5*14mm		4*12mm			

