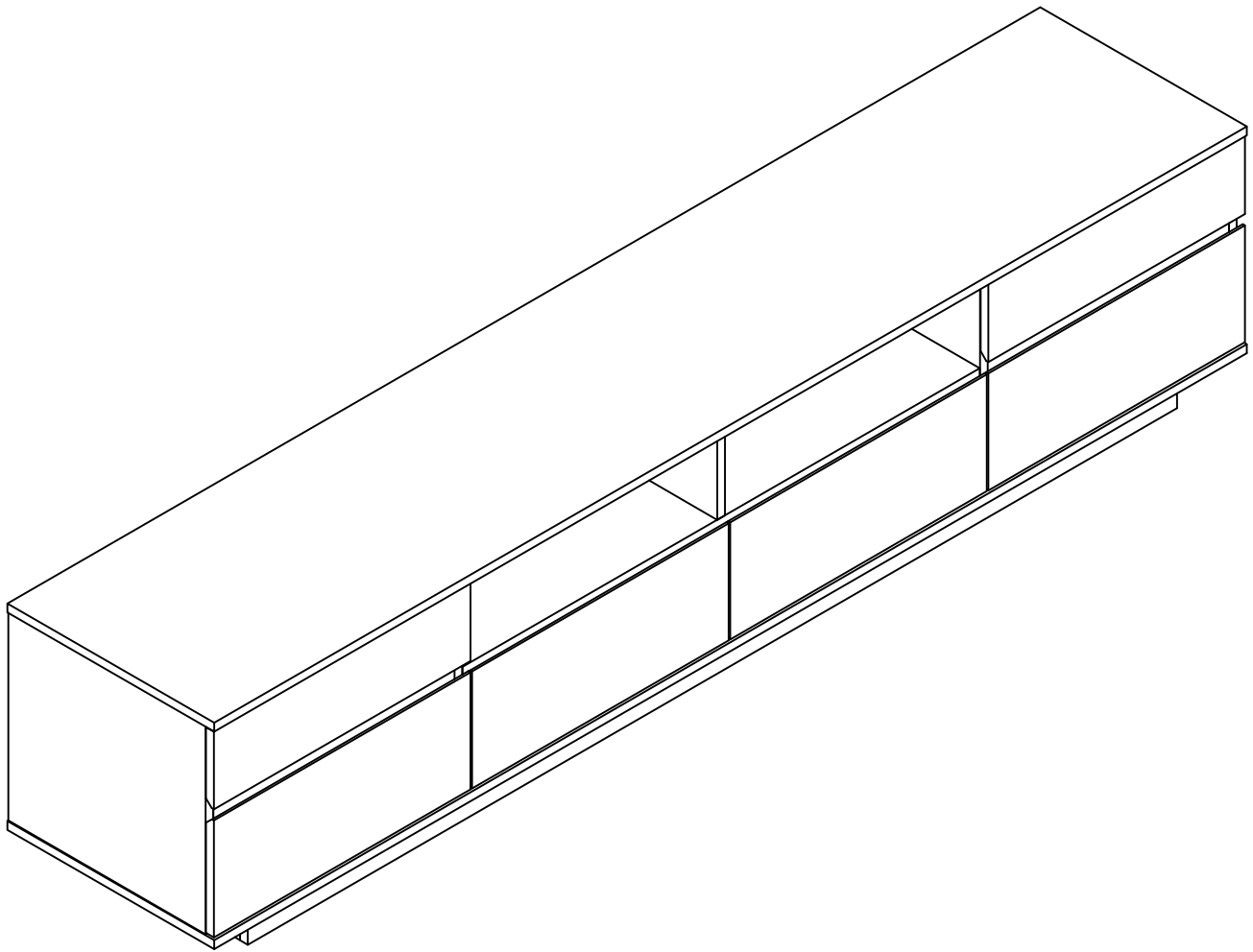


Installation

Product Manual



Tools



Cross Scetwdriver

Matters Need Attention

If you have any questions or concerns, please contact us

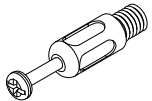
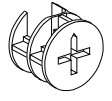
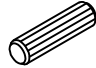

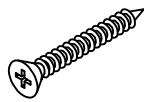
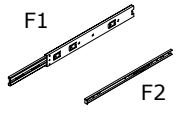

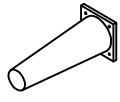
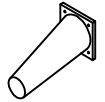
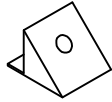

During Installation

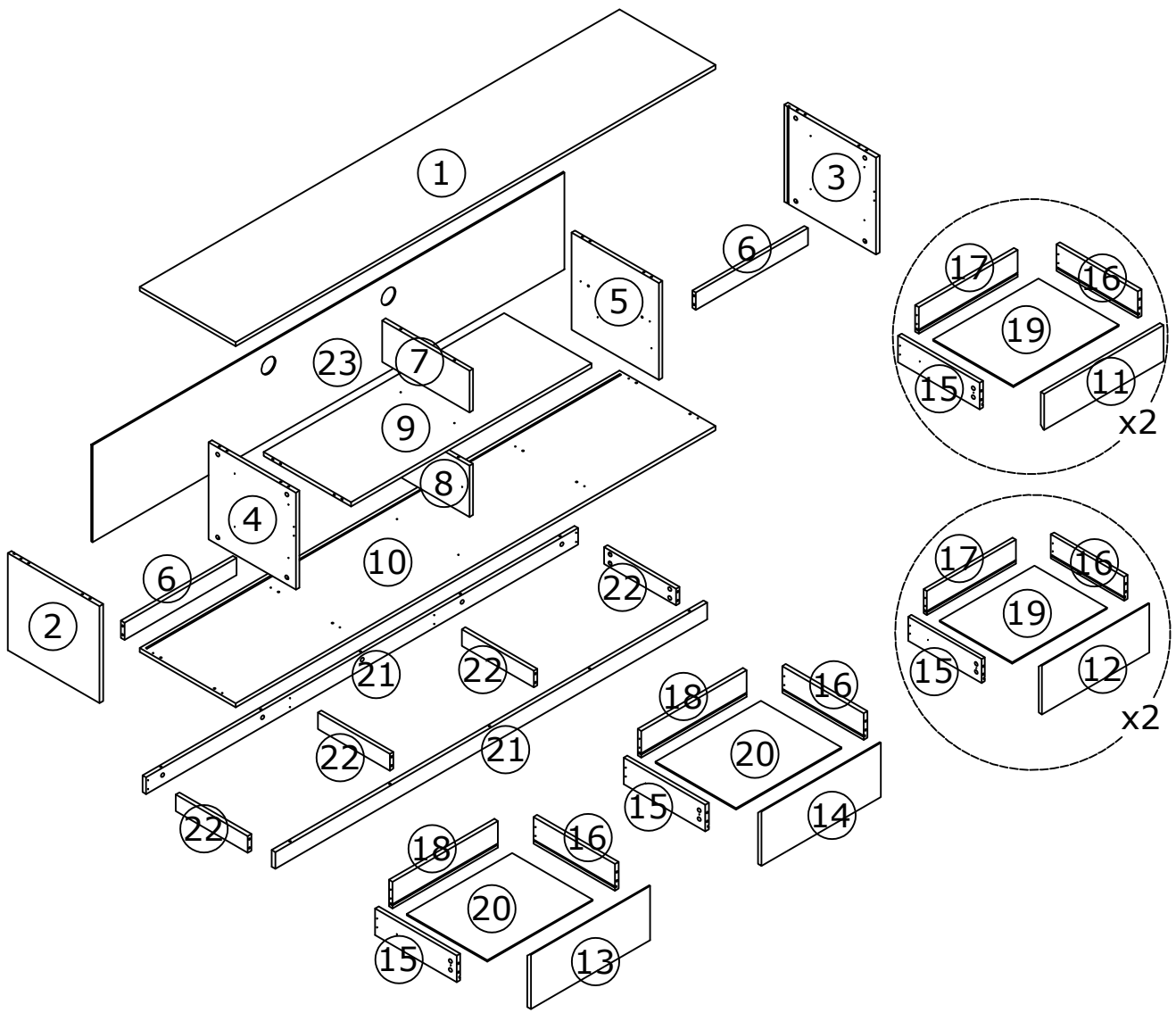
1. Do not discard packing material until assembly is complete, as small parts may loosen inside the carton during shipping. If there is a missing part, please contact our after-sales team.
2. Please assemble this item on soft surfaces such as carpets to protect the finish.
3. Pay attention to stability when assembling to avoid falling or scratching.

Cleaning and Maintenance

1. To protect the finish, avoid chemicals and household cleaners.
2. Keep away from the heat source to prolong the service life.
3. Wipe off any remaining liquid on the surface with a damp cloth.

Hardware List

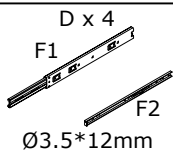
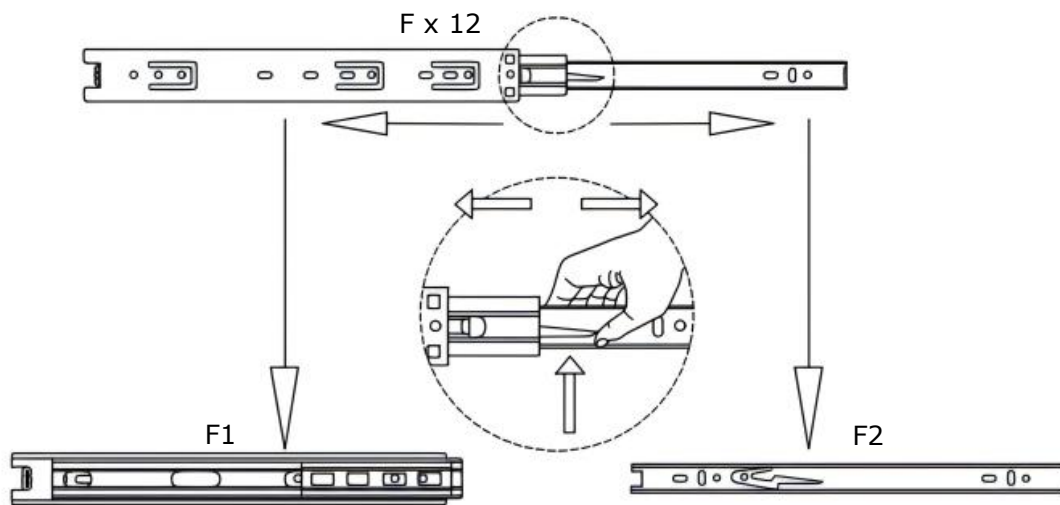
<p>A x 86</p>  <p>M6*35mm</p>	<p>B x 86</p>  <p>Ø15*10mm</p>	<p>C x 20</p>  <p>Ø8*40mm</p>	<p>D x 58</p>  <p>Ø3.5*14mm</p>															
<p>E x 24</p>  <p>Ø3.5*35mm</p>	<p>F x 12</p>  <p>300L</p>	<p>G x 2</p>  <p>Ø60</p>	<p>H x 3</p>  <p>150H</p>															
<p>I x 4</p>  <p>150H</p>	<p>J x 10</p>  <p>12*10</p>	<p>K x 28</p>  <p>Ø4*14mm</p>	<table border="1"> <thead> <tr> <th>L</th> <th colspan="2">Spare parts</th> </tr> </thead> <tbody> <tr> <td>A x 4</td> <td>B x 4</td> <td></td> </tr> <tr> <td>C x 3</td> <td>D x 12</td> <td></td> </tr> <tr> <td>E x 3</td> <td>J x 2</td> <td></td> </tr> <tr> <td>K x 3</td> <td></td> <td></td> </tr> </tbody> </table>	L	Spare parts		A x 4	B x 4		C x 3	D x 12		E x 3	J x 2		K x 3		
L	Spare parts																	
A x 4	B x 4																	
C x 3	D x 12																	
E x 3	J x 2																	
K x 3																		



1 1PC	2 1PC	3 1PC	4 1PC	5 1PC	6 2PCS
7 1PC	8 1PC	9 1PC	10 1PC	11 2PCS	12 2PCS
13 1PC	14 1PC	15 6PCS	16 6PCS	17 4PCS	18 2PCS
19 4PCS	20 2PCS	21 2PCS	22 4PCS	23 1PC	

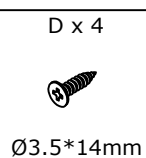
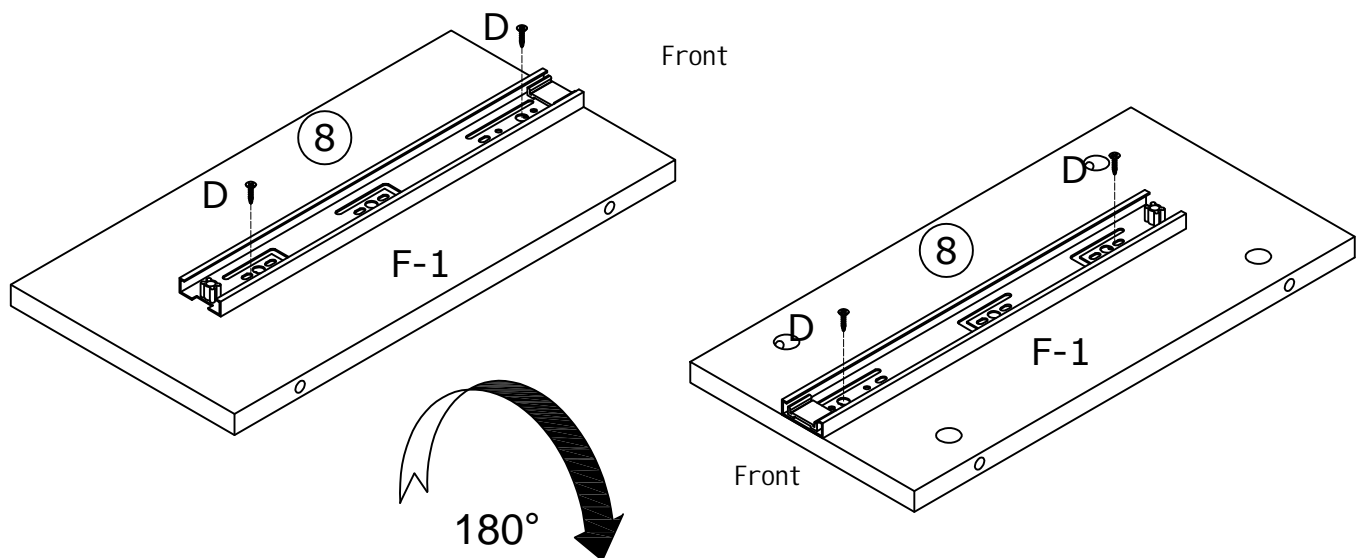
Step 1

As shown in the illustration, separate the 12 Accessories F into F1 and F2. These will be installed separately in later steps



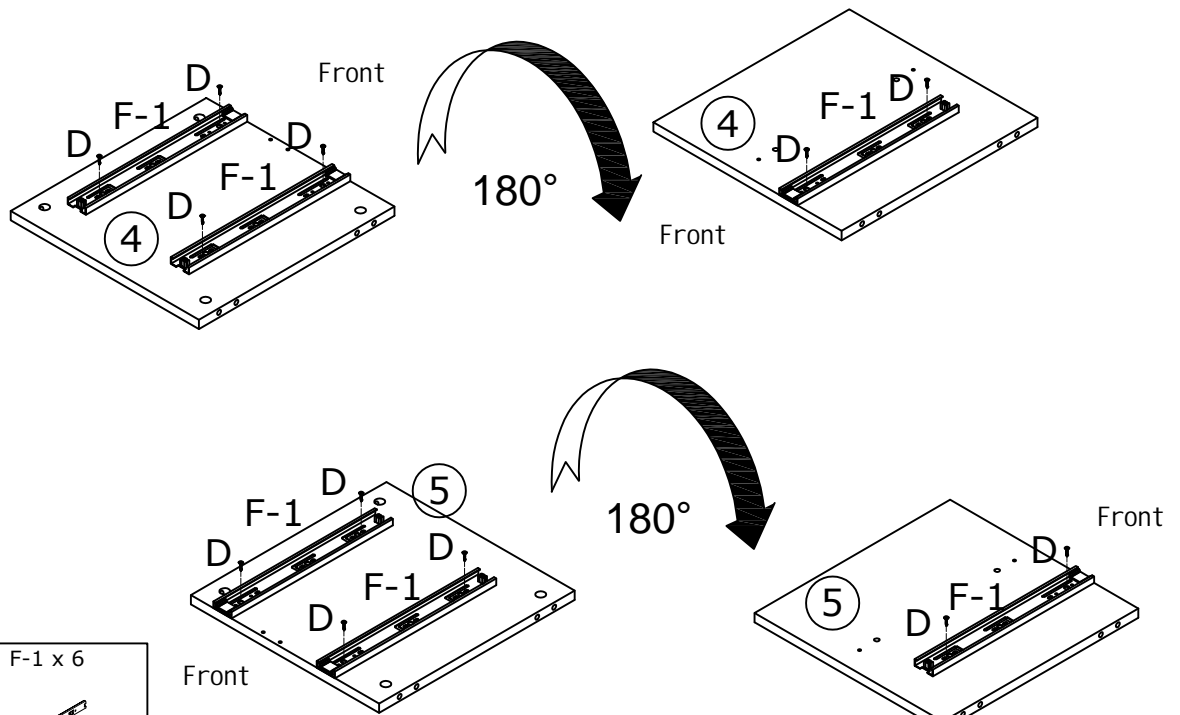
Step 2

Install Accessory F1 on both sides of Panel 8 and secure it with Accessory D



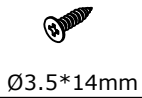
Step 3

Install Accessory F1 on both sides of Panels 4 and 5 and secure them with Accessory D



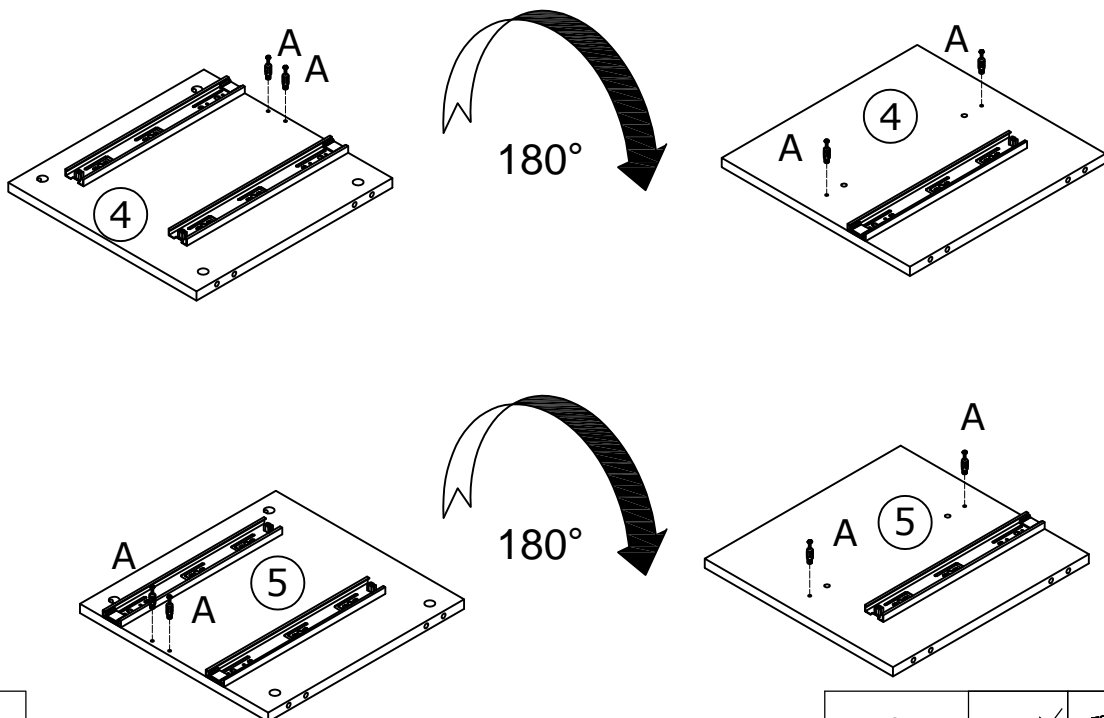
D x 12

F-1 x 6



Step 4

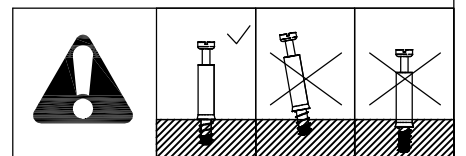
Install Accessory A on both sides of Panels 4 and 5



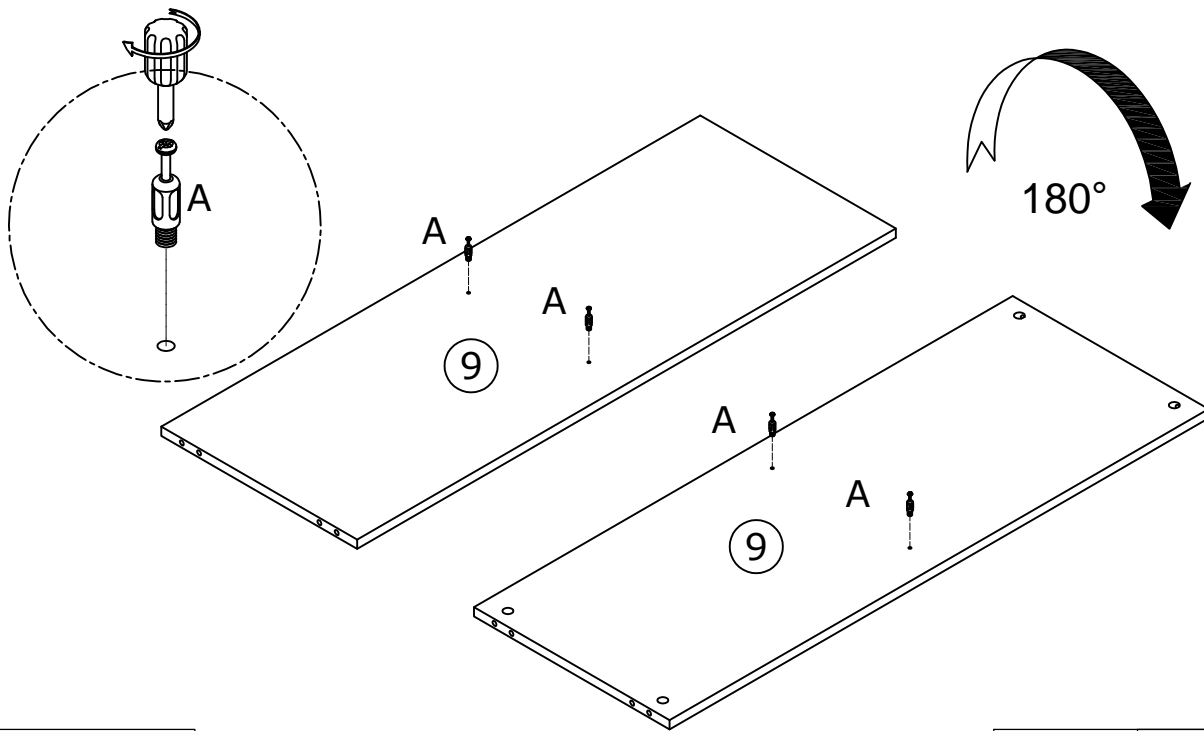
A x 8



M6*35mm



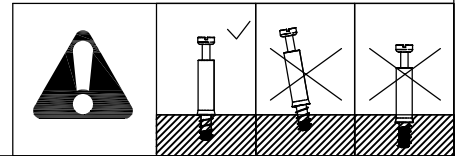
Step 5 Install Accessory A on both sides of Panel 9



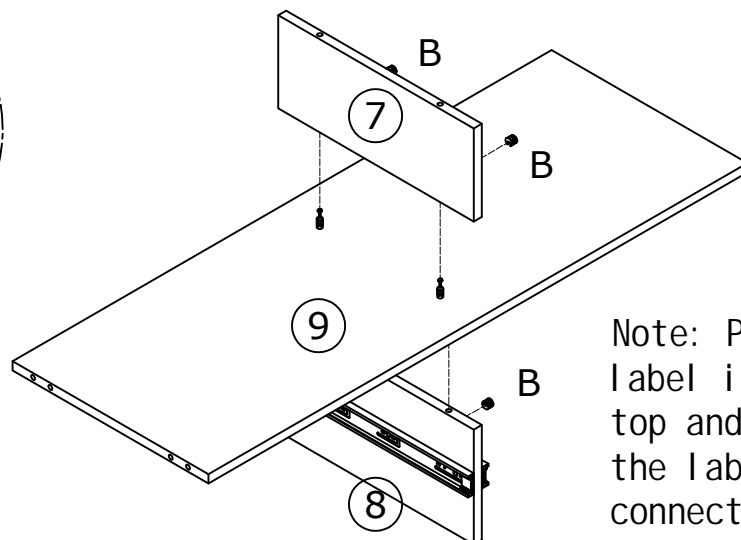
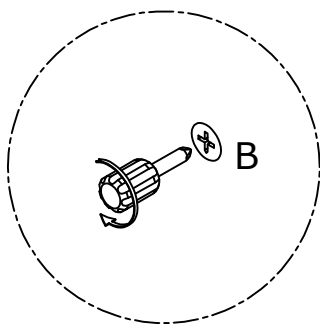
A x 4



M6*35mm



Step 6 Connect Panels 7 and 8 to Panel 9 and secure them with Accessory B

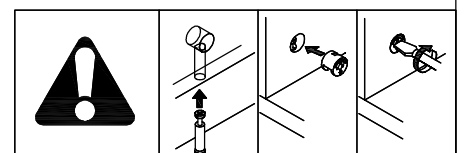


Note: Panel 8 has a label indicating the top and bottom. Ensure the labeled side is connected to Accessory A on Panel 9

B x 4

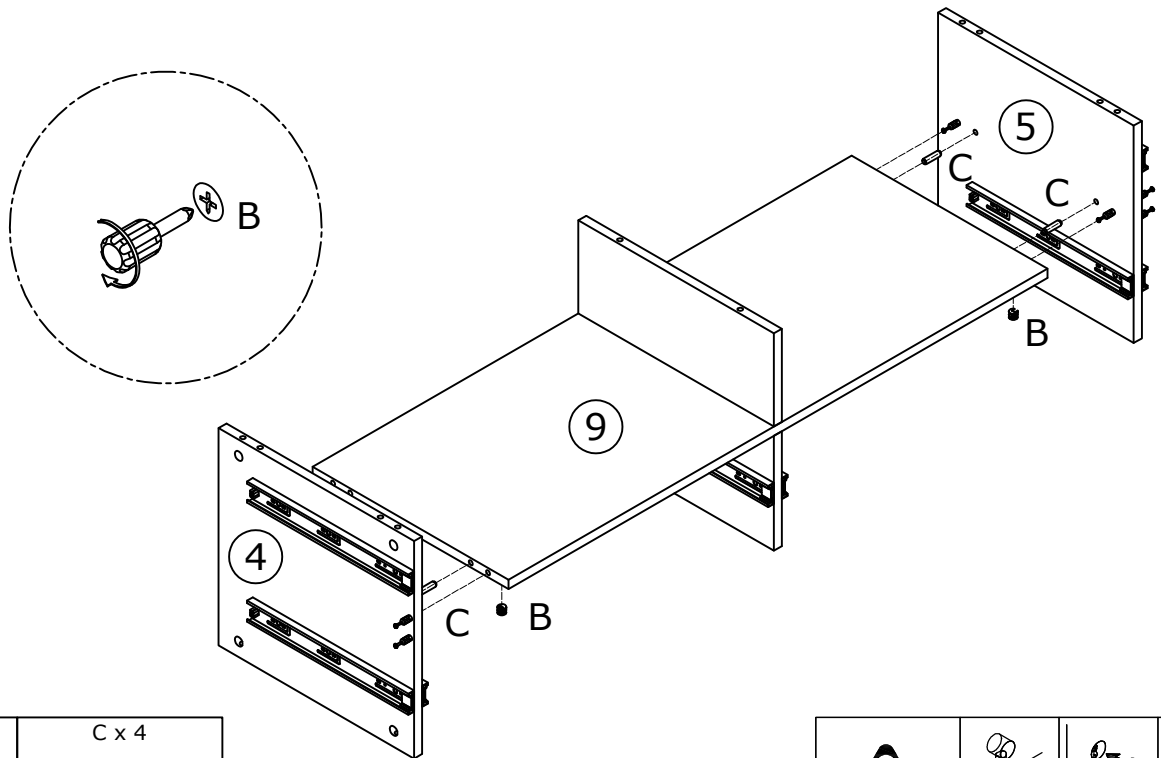


Ø15*10mm



Step 7

Install Accessory C on Panels 4 and 5, then connect them to Panel 9 and secure with Accessory B



B x 4

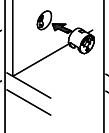
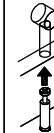


Ø15*10mm

C x 4

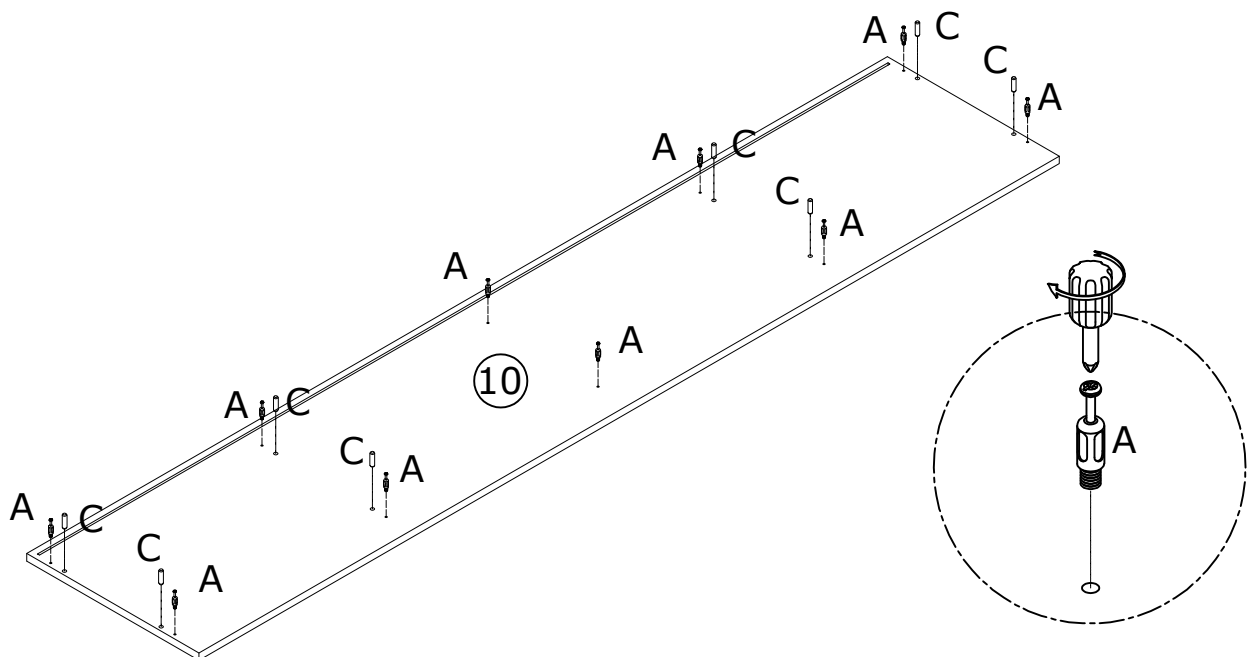


Ø8*40mm



Step 8

Install Accessories A and C onto Panel 10



A x 10

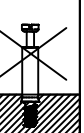
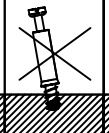


M6*35mm

C x 8

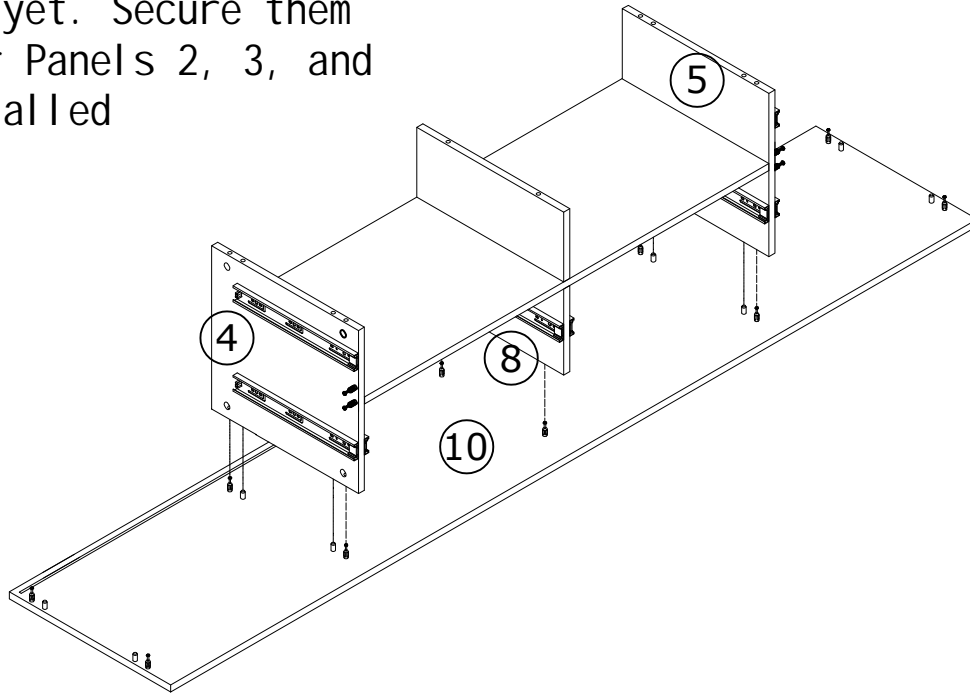


Ø8*40mm

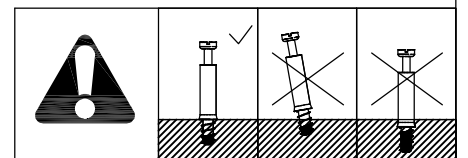
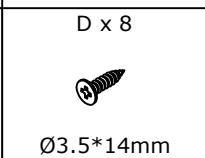
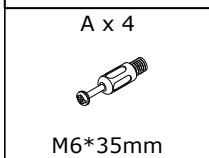
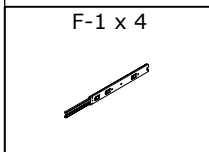
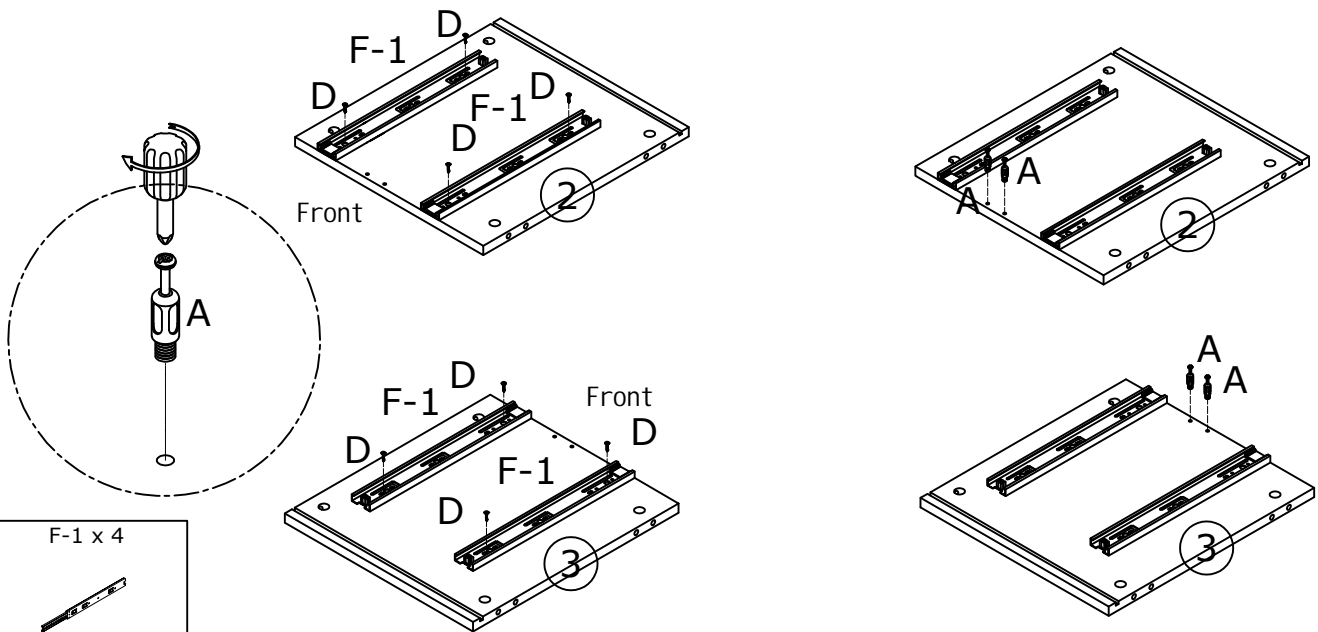


Step 9 Place the assembled Panels 4, 5, and 8 onto Panel 10. Do not secure them yet

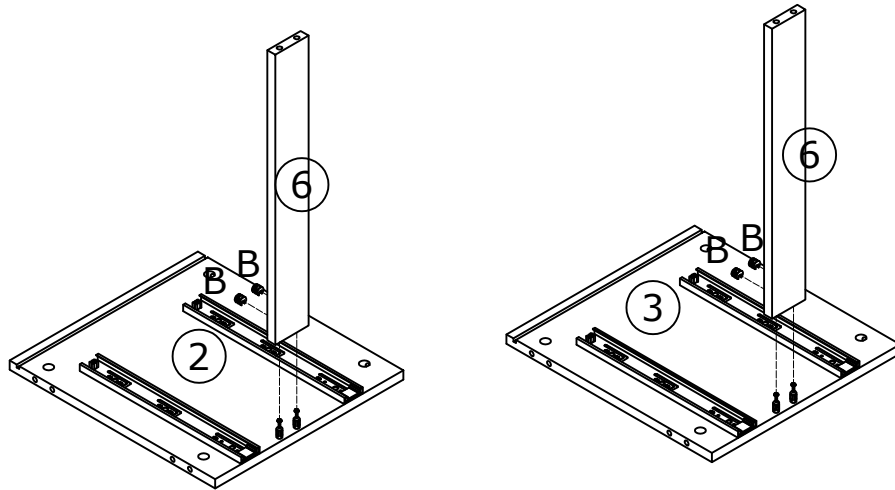
Note: Do not tighten the fasteners yet. Secure them only after Panels 2, 3, and 6 are installed



Step 10 Install Accessory F1 on Panels 2 and 3 and secure with Accessory D. Then install Accessory A on Panels 2 and 3



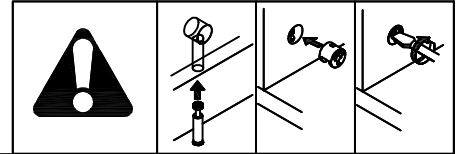
Step 11 Install Panel 6 onto Panels 2 and 3



B x 4

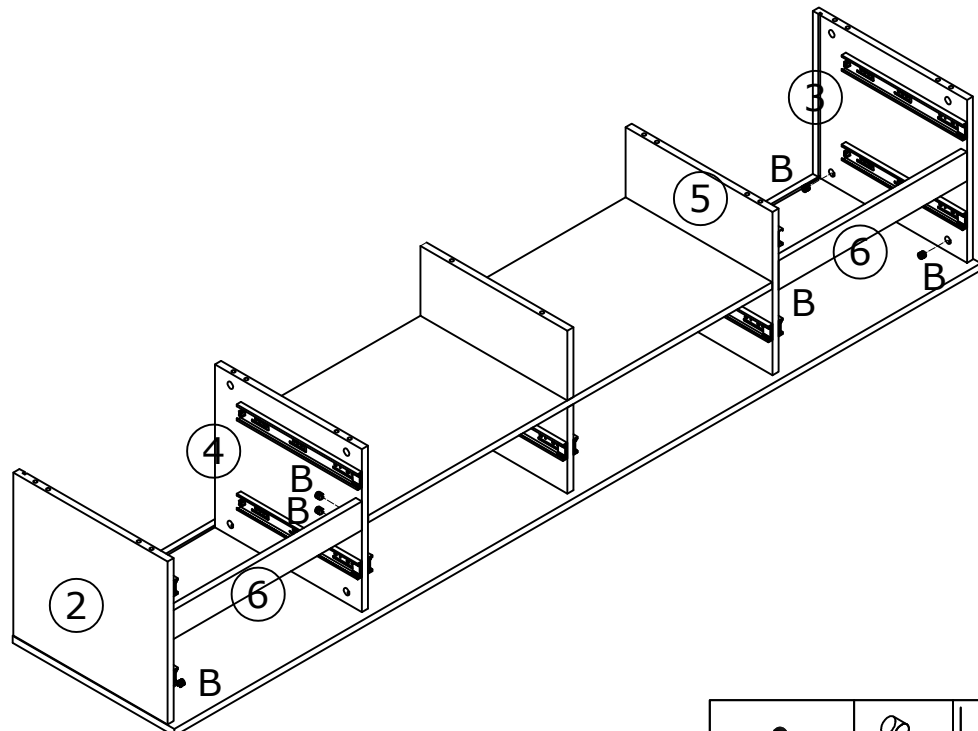


Ø15*10mm



Step 12

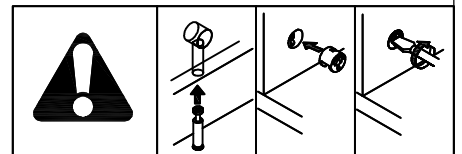
Connect Panel 6 with Panels 4 and 5, then install Panels 2 and 3 onto Panel 10 and secure with Accessory B



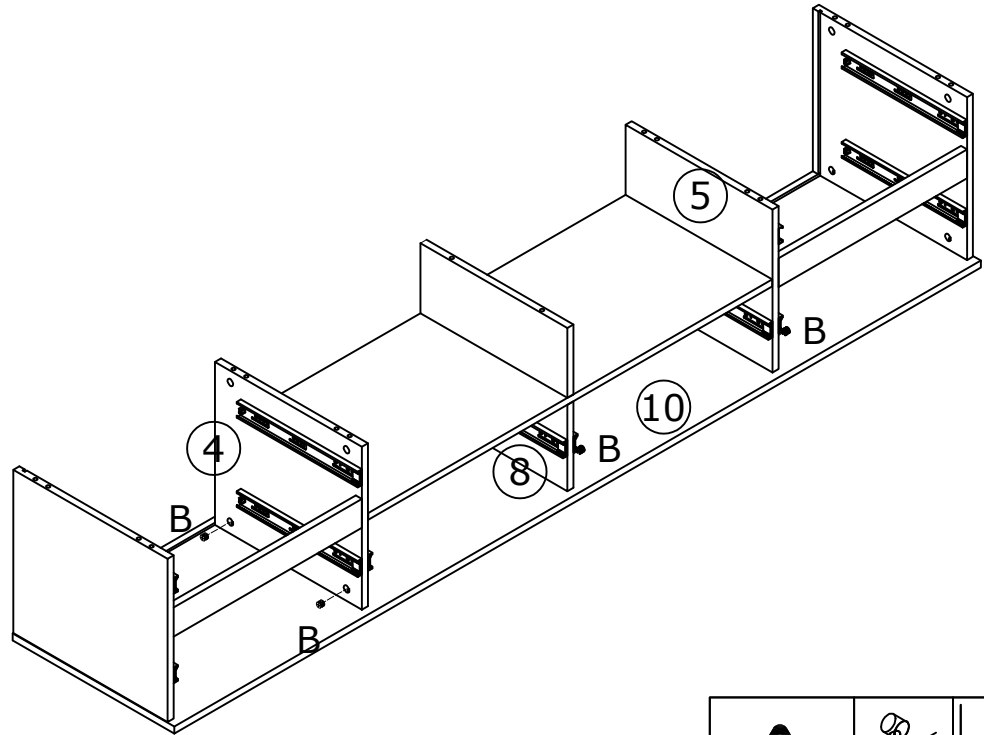
B x 8



Ø15*10mm



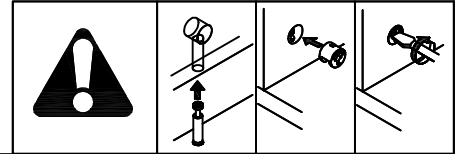
Step 13 Use Accessory B to secure Panels 4, 5, and 8 to Panel 10



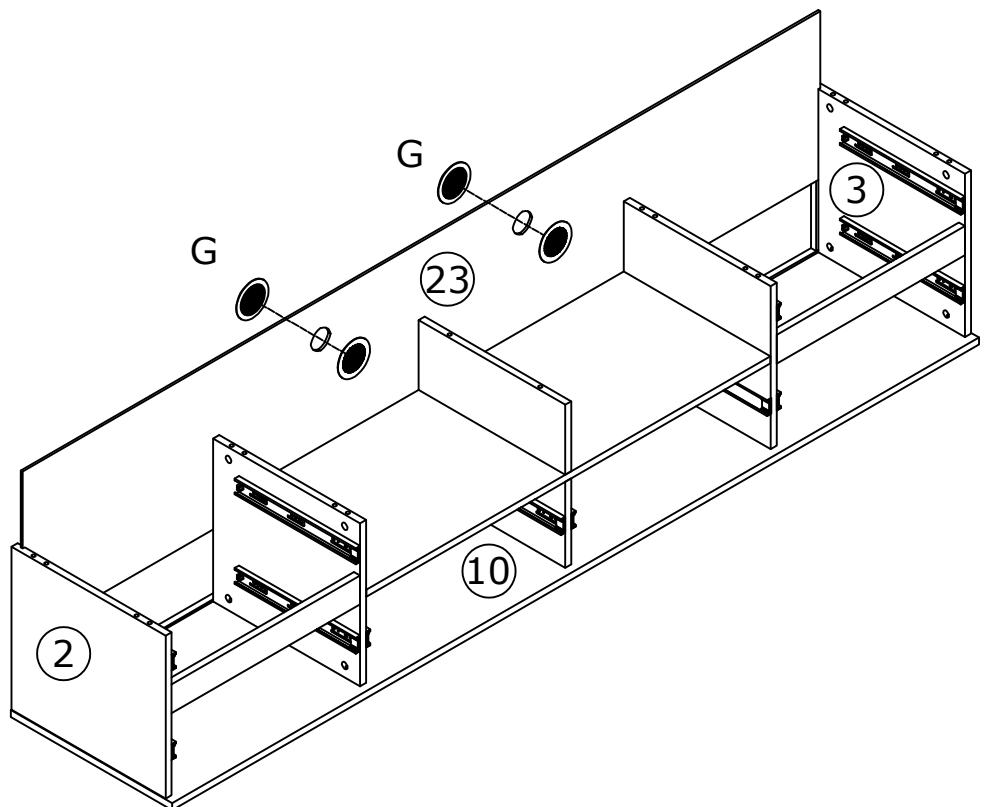
B x 6



Ø15*10mm



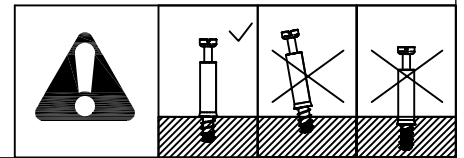
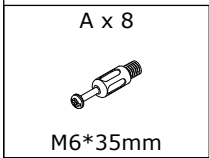
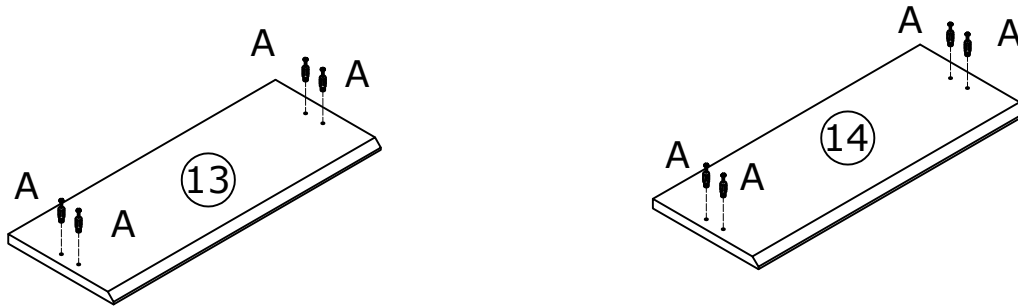
Step 14 Insert Panel 23 into the grooves of Panels 2, 3, and 10, and attach Accessory G onto Panel 23



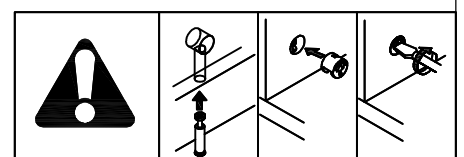
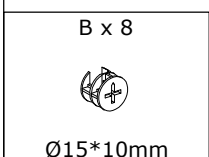
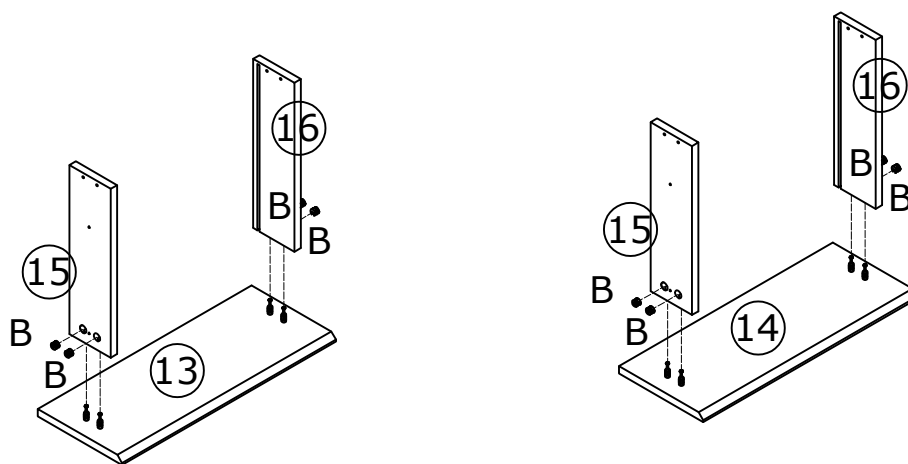
G x 2



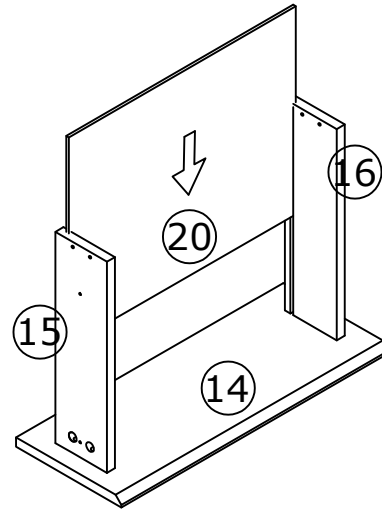
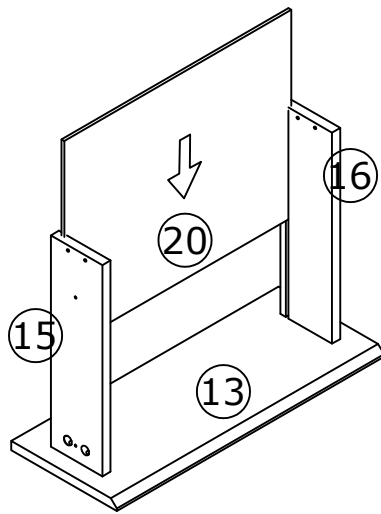
Step 15 Install Accessory A onto Panels 13 and 14



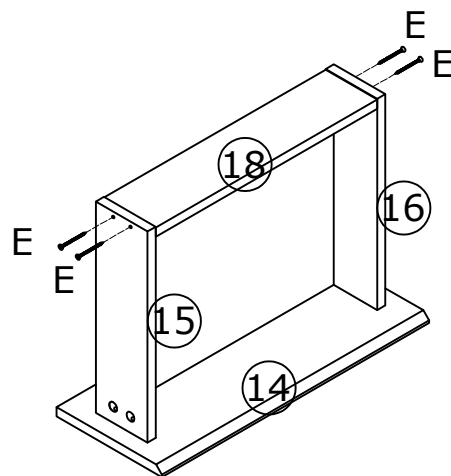
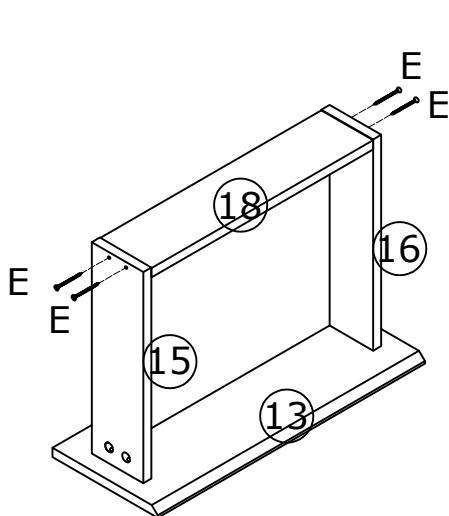
Step 16 Connect Panels 15 and 16 to Panels 13 and 14, and secure them with Accessory B



Step 17 Insert Panel 20 into the grooves of Panels 15 and 16



Step 18 Connect Panel 18 to Panels 15 and 16, and secure it with Accessory E

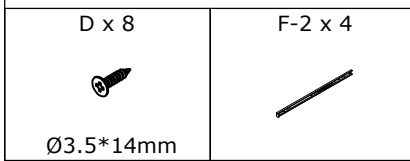
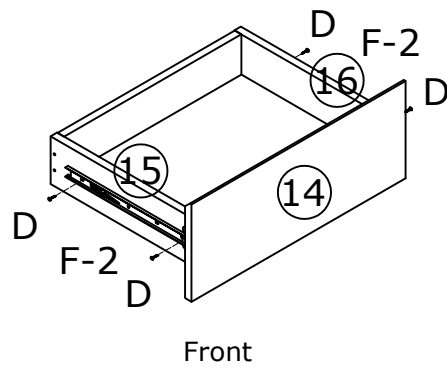
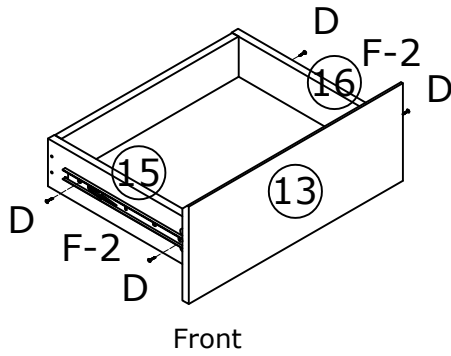


E x 8

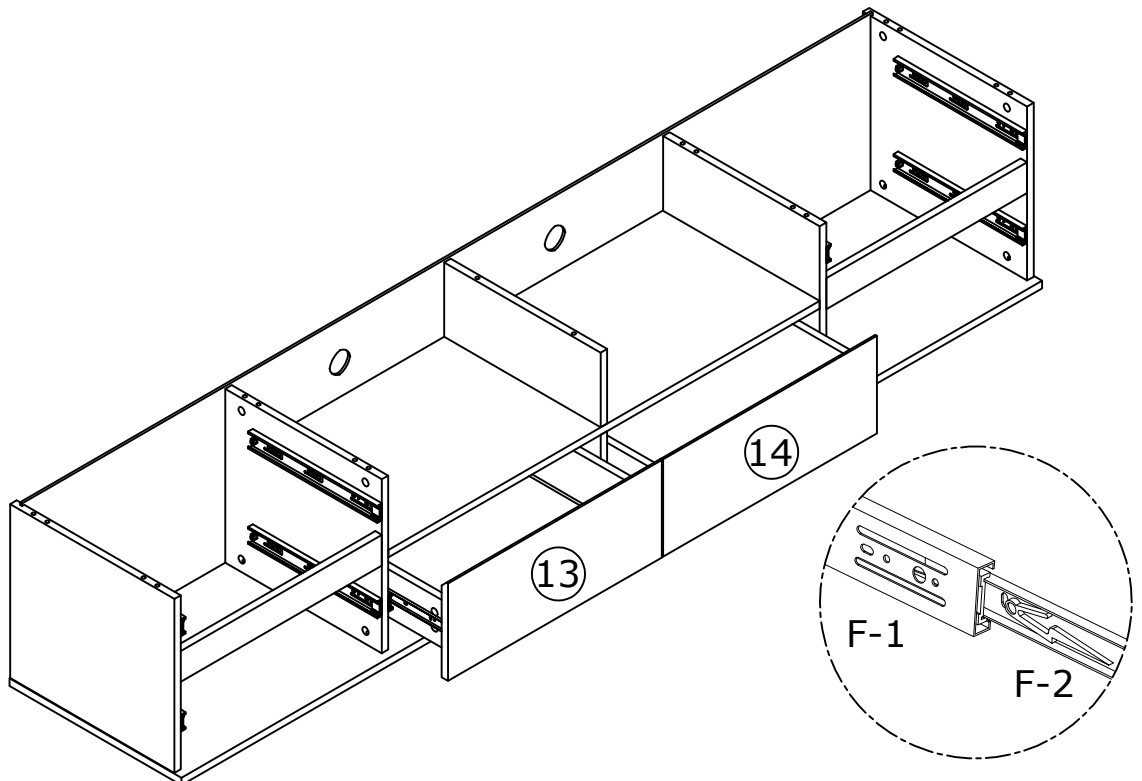


Ø3.5*35mm

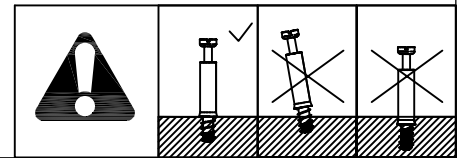
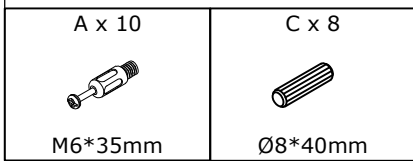
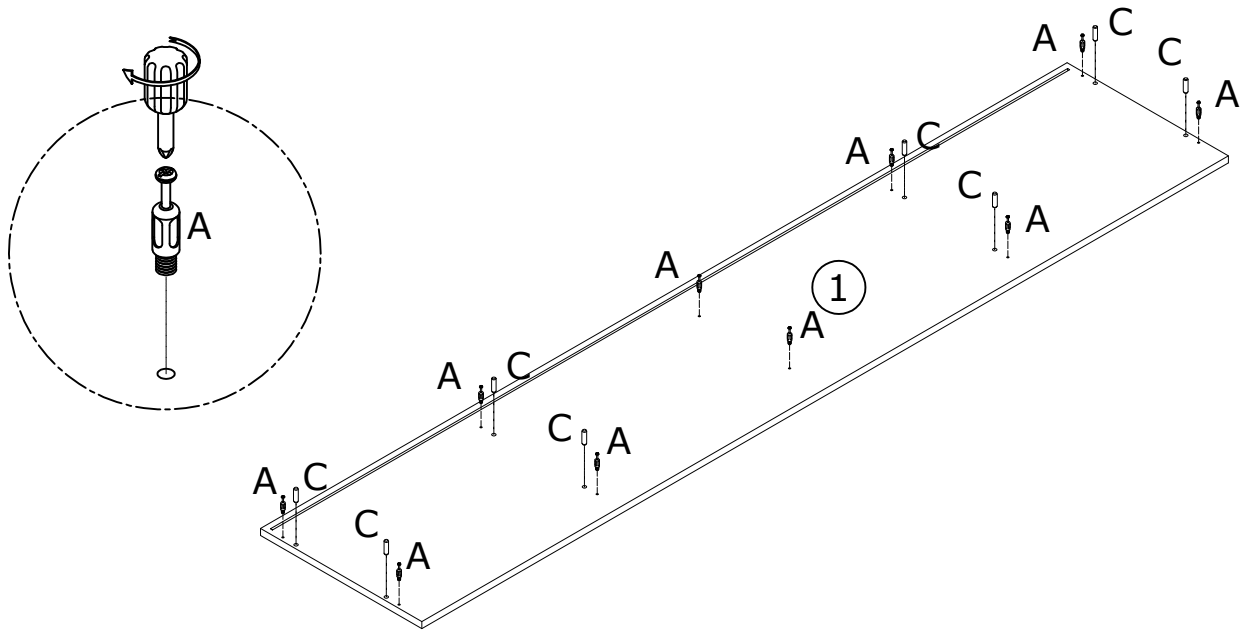
Step 19 Install Accessory F2 onto Panels 15 and 16, and secure it with Accessory D



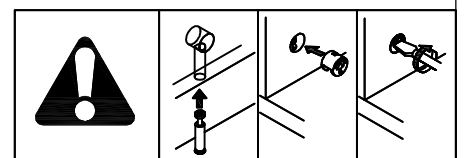
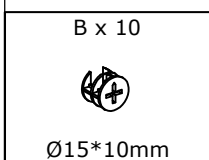
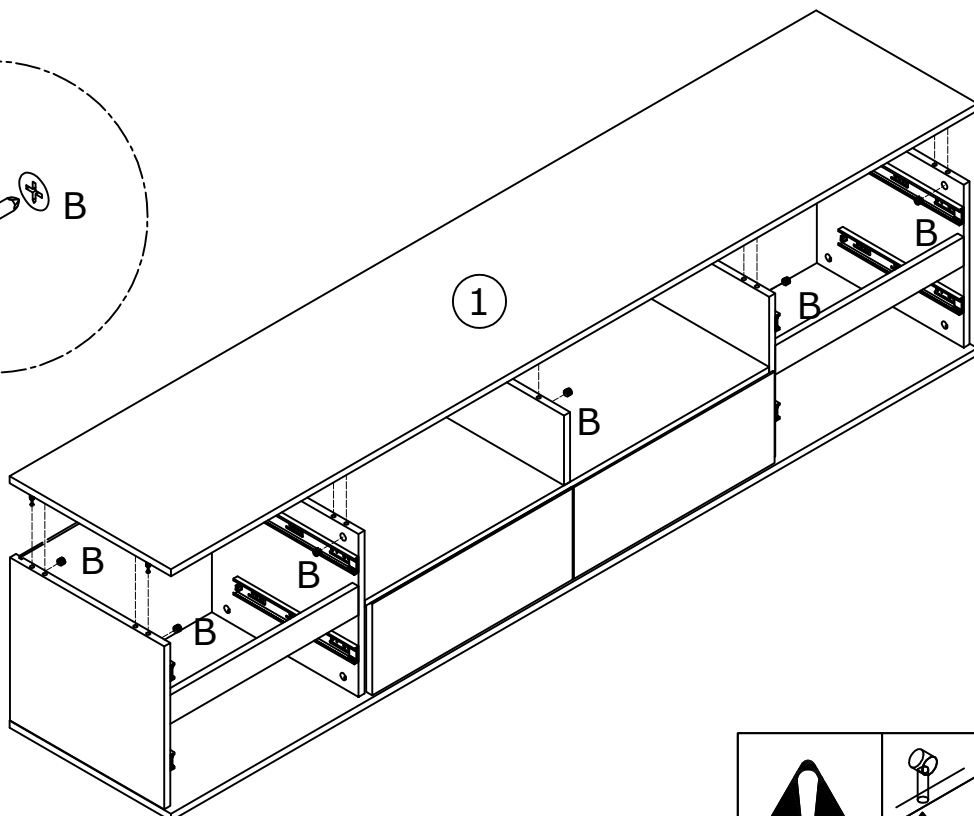
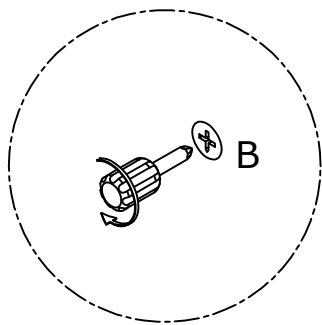
Step 20 Install the drawer into the TV cabinet by aligning and connecting slide rails F1 and F2



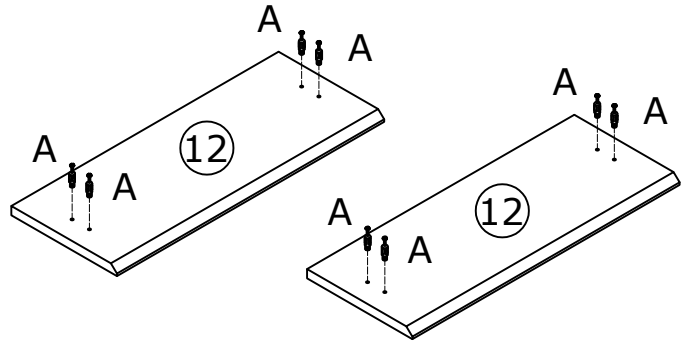
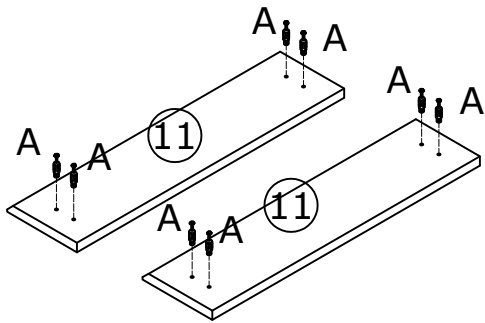
Step 21 Install Accessories A and C onto Panel 1



Step 22 Attach Panel 1 onto the assembled section and secure it with Accessory B



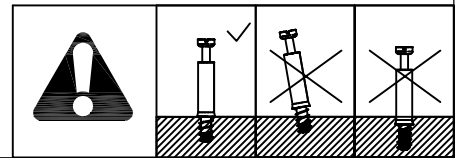
Step 23 Install Accessory A onto Panels 11 and 12



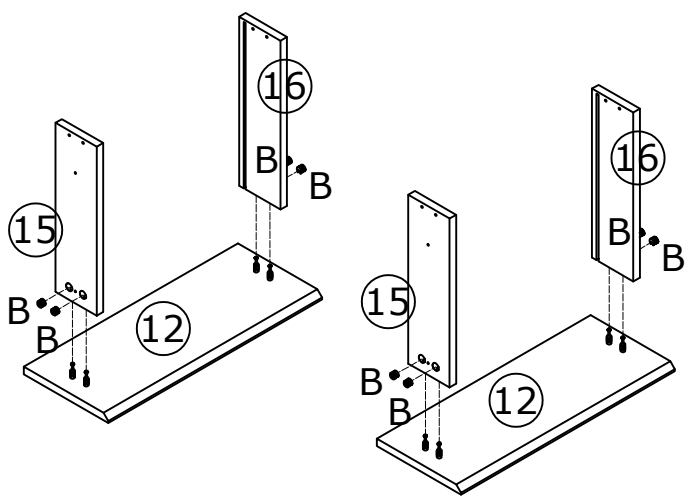
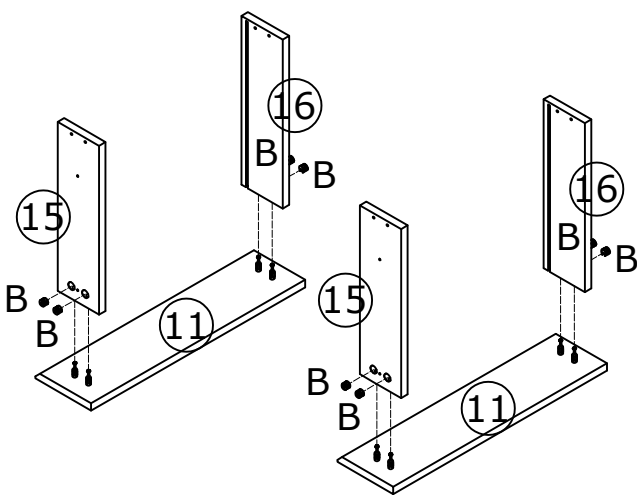
A x 16



M6*35mm



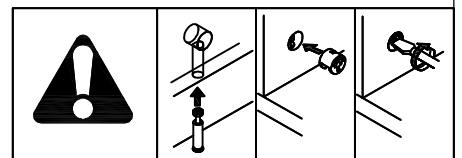
Step 24 Connect Panels 15 and 16 to Panels 11 and 12, and secure them with Accessory B



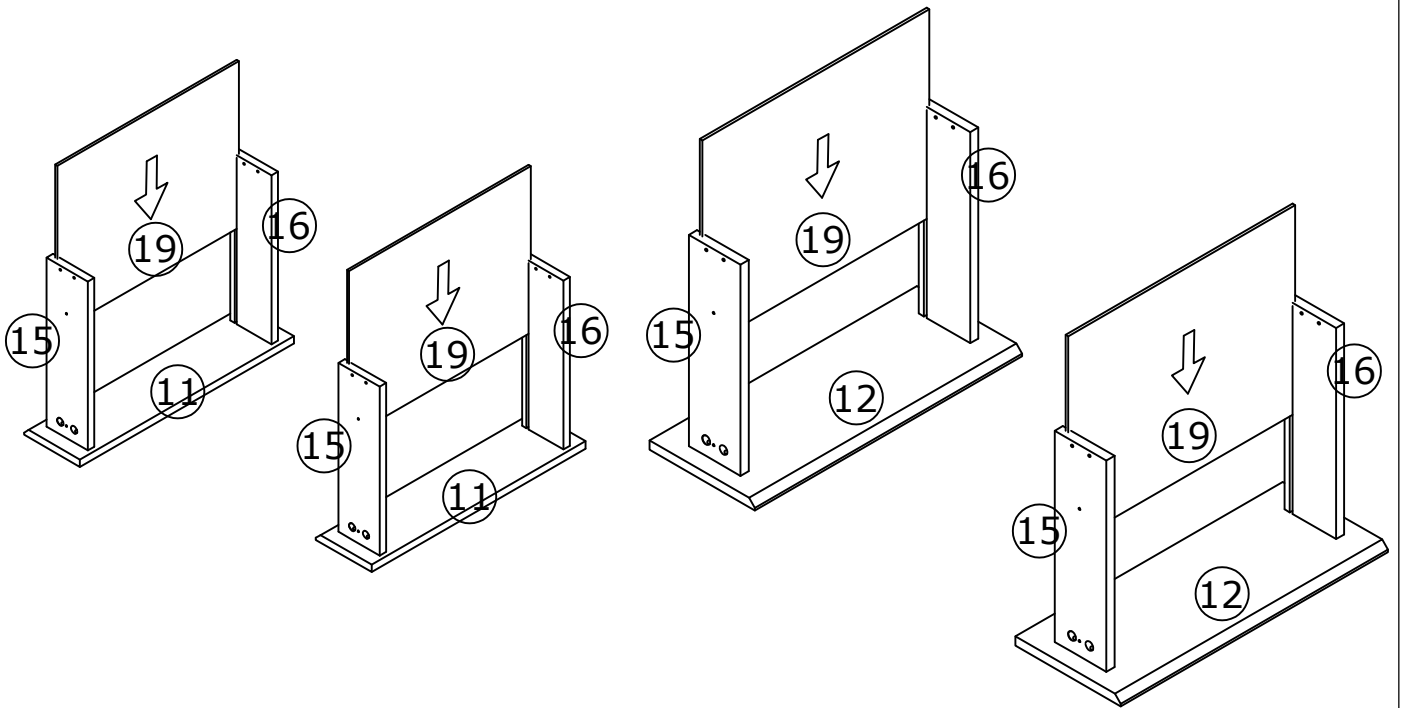
B x 16



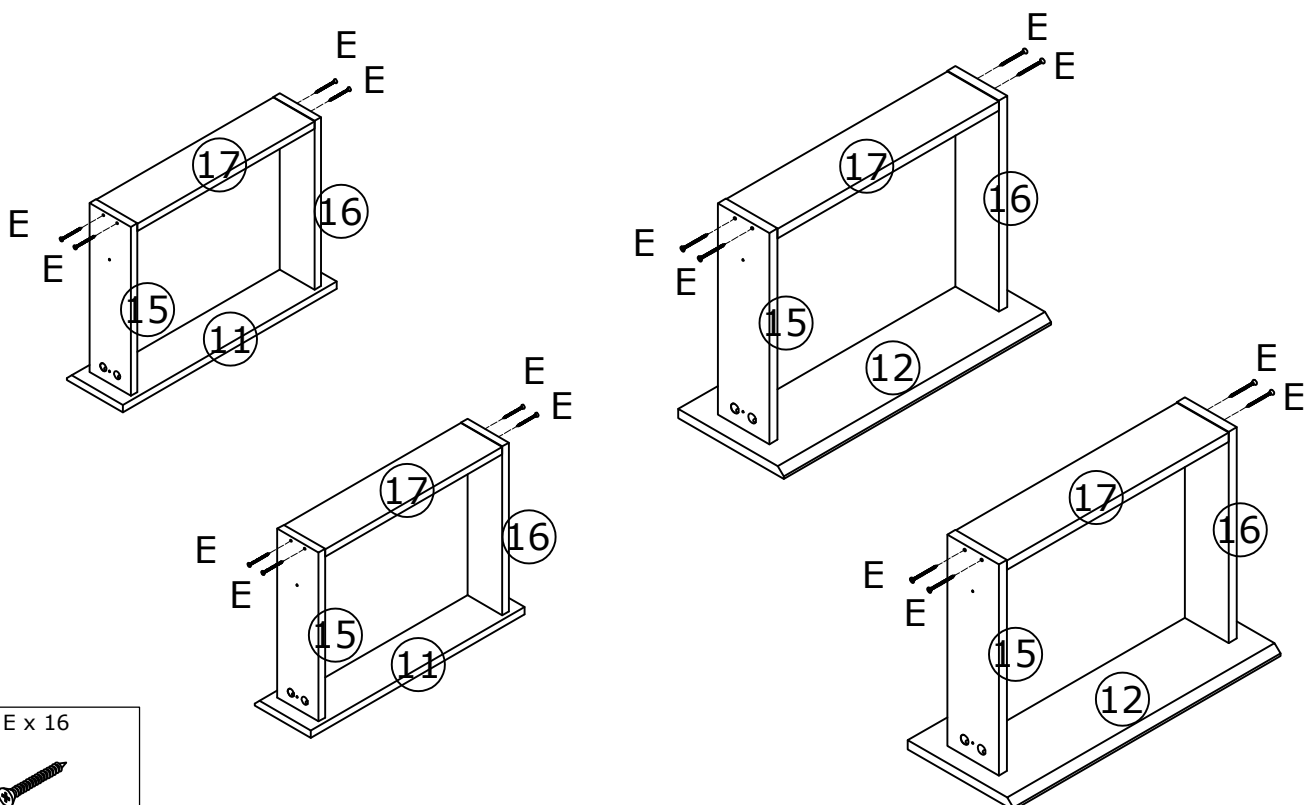
Ø15*10mm



Step 25 Insert Panel 19 into the grooves of Panels 15 and 16



Step 26 Connect Panel 17 to Panels 15 and 16, and secure it with Accessory E

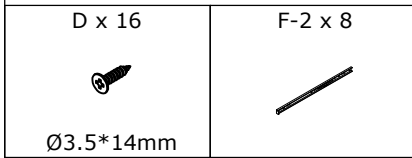
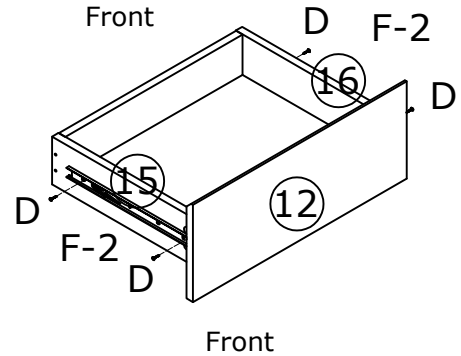
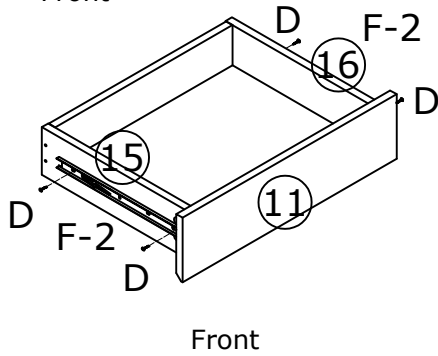
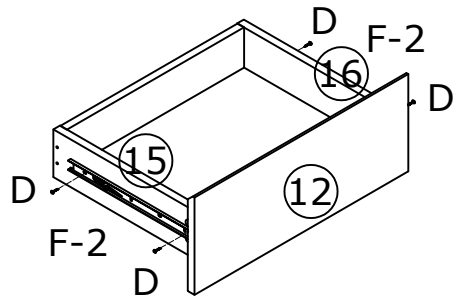
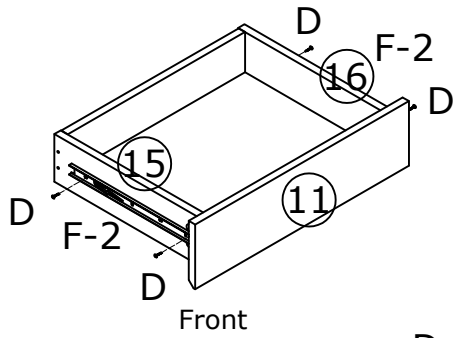


E x 16

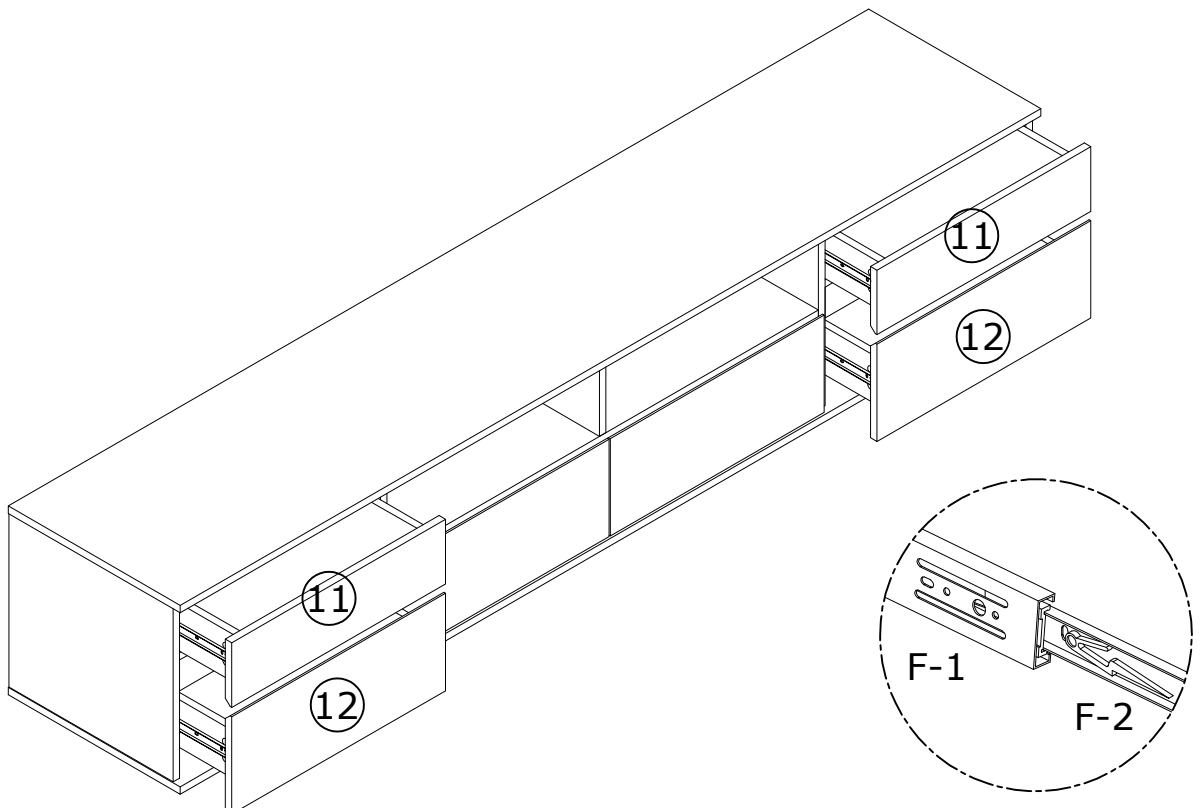


Ø3.5*35mm

Step 27 Install Accessory F2 onto Panels 15 and 16, and secure it with Accessory D



Step 28 Install the drawer into the TV stand by aligning and connecting slide rails F1 and F2



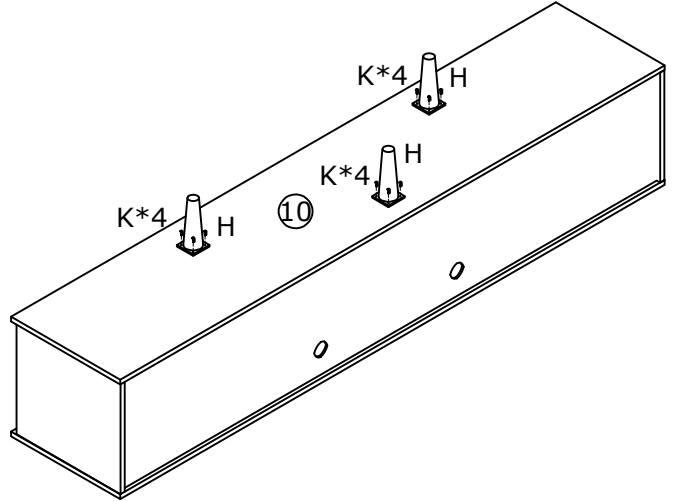
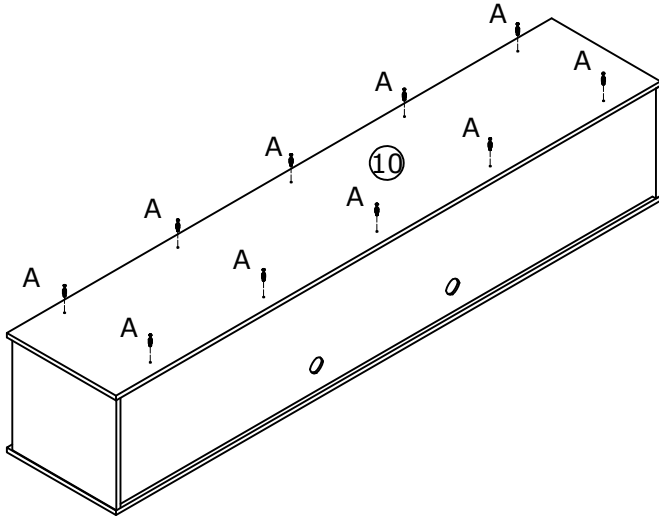
Floor installation options

Option 1: Install With the Wooden Base

Option 2: Install With the Metal Legs

Step 29 Install Accessory A on Panel 10

Step 29 Based on the guide holes, install Accessory H on Panel 10 and secure it with Accessory K



A x 10



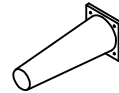
M6*35mm

K x 12



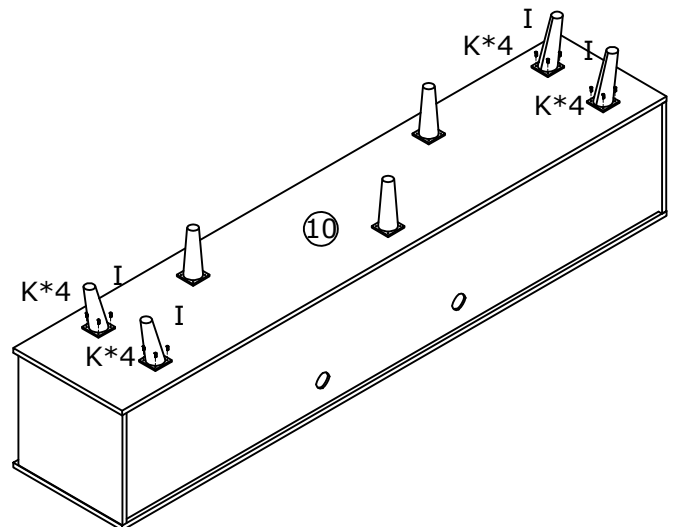
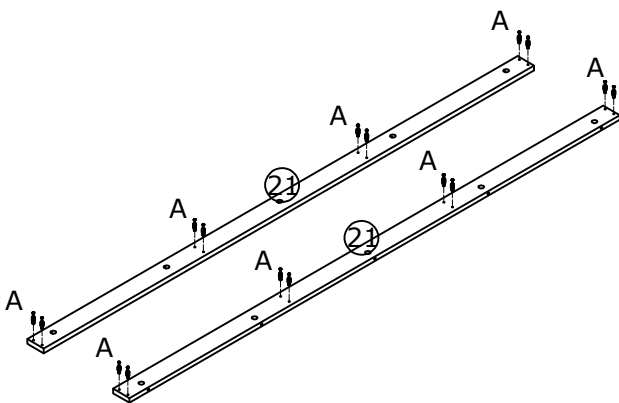
Ø4*14mm

H x 3



Step 30 Install Accessory A on Panel 21

Step 30 Based on the guide holes, install Accessory I on Panel 10 and secure it with Accessory K



A x 16



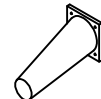
M6*35mm

K x 16



Ø4*14mm

I x 4



Option 1: Install With the Wooden Base

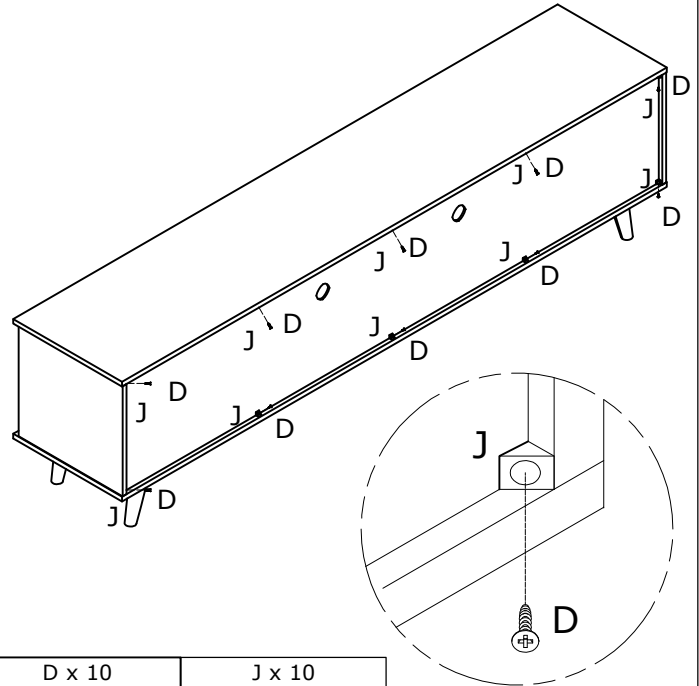
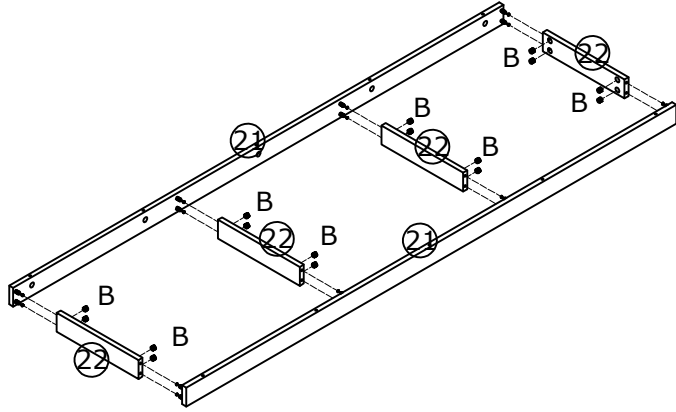
Option 2: Install With the Metal Legs

Step 31

Connect Panel 22 with Panel 21 and secure with Accessory B

Step 31

Install Accessory J onto the back panel of the TV cabinet and secure with Accessory D



B x 16



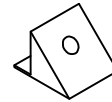
Ø15*10mm

D x 10



Ø3.5*14mm

J x 10

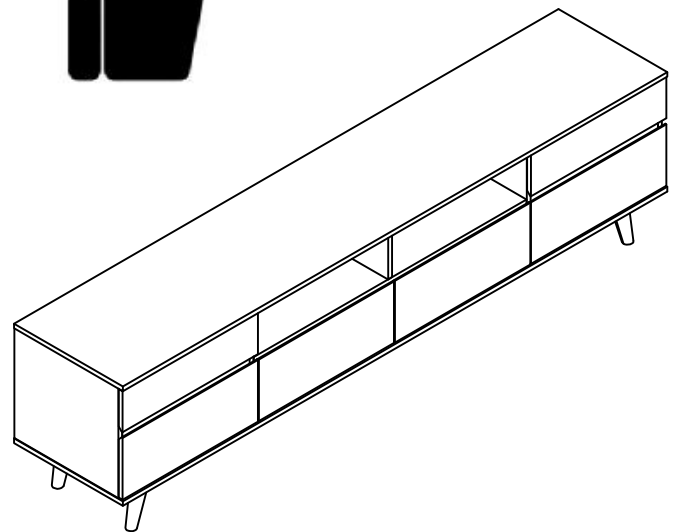
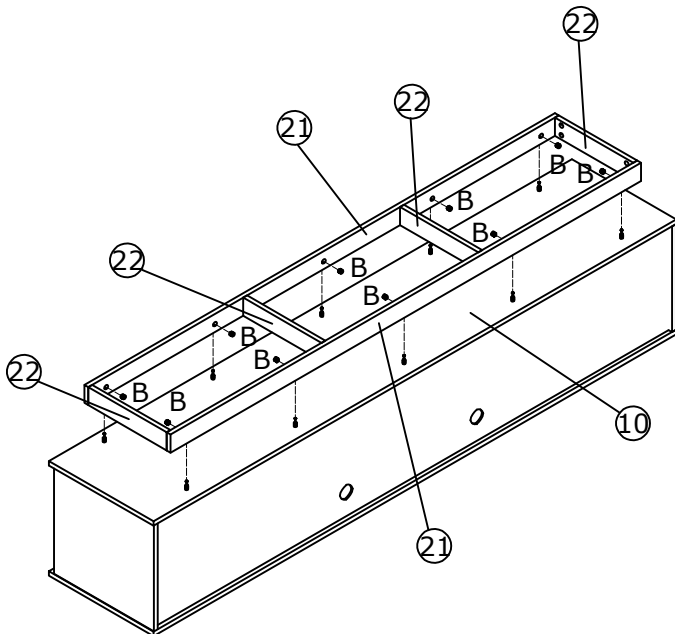


Step 32

Install Panels 21 and 22 onto Panel 10 and secure them with Accessory B

Step 32

Congratulations! The installation is complete. Well done!



B x 10

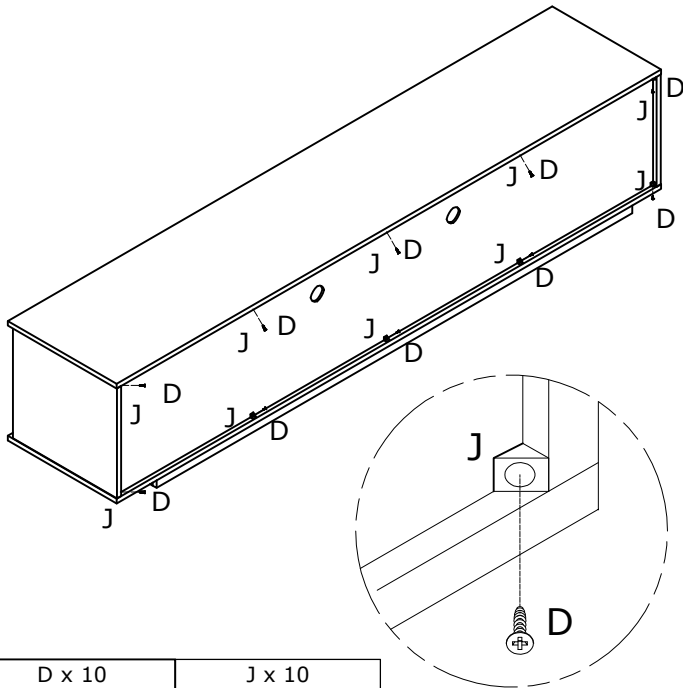


Ø15*10mm

If you have any questions or concerns, please feel free to contact us!

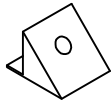
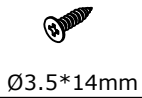
Option 1: Install With the Wooden Base

Step 33 Install Accessory J onto the back panel of the TV cabinet and secure with Accessory D



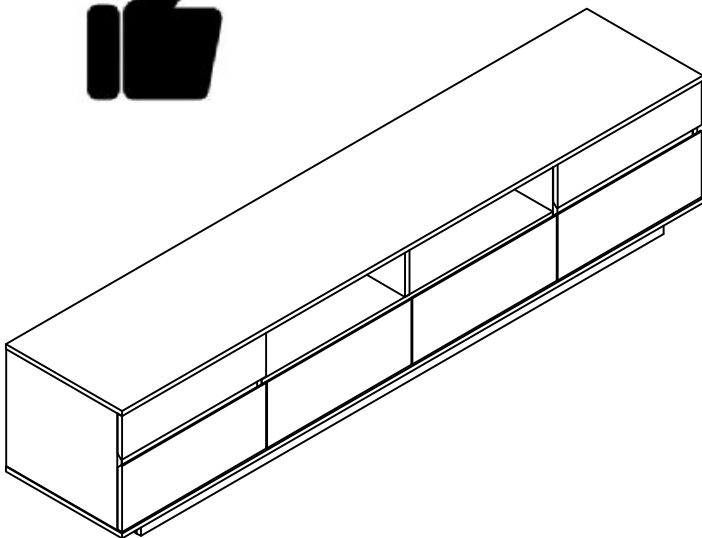
D x 10

J x 10



Step 34

Congratulations! The installation is complete. Well done!



If you have any questions or concerns, please feel free to contact us!