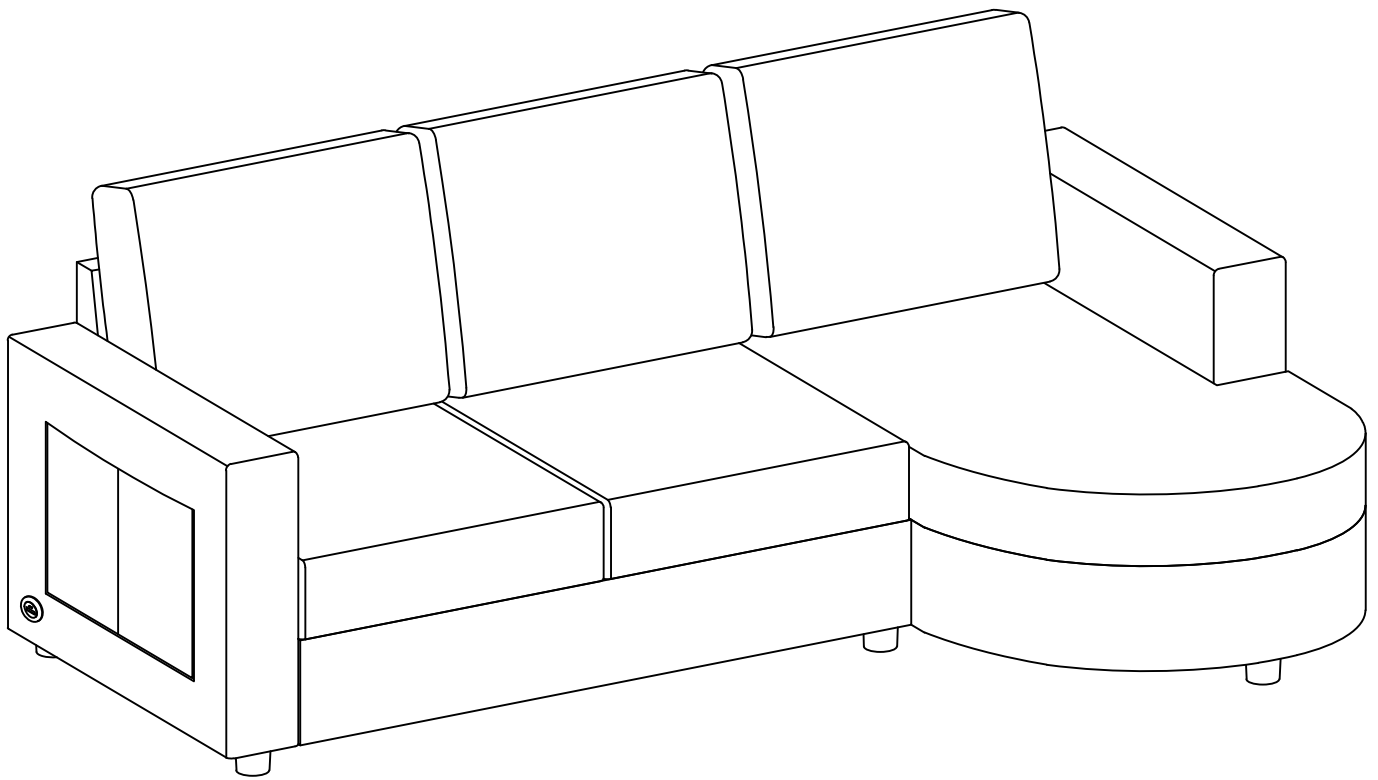
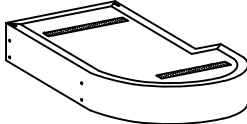


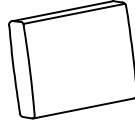

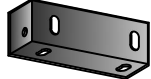
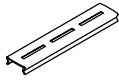






# ASSEMBLY INSTRUCTION

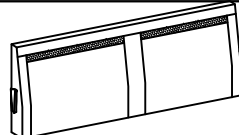
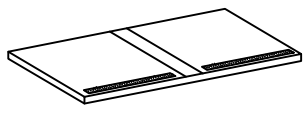
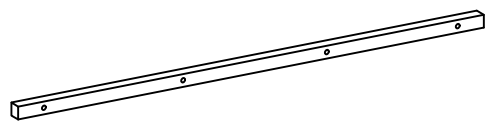
ITEM NO.: N719P335521- N719P335522- N719P335523

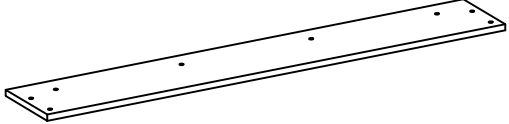
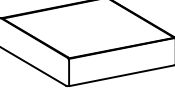
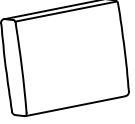


**N719P335521- COMPONENT LIST**

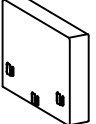
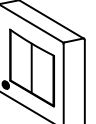
NO.	DRAWING	QTY	DESCRIPTION
(A)		1	Chaise Frame
(B)		1	Chaise Seat Cushion
(C)		1	Short Backrest
(D)		2	Back Cushion
(L)		8	Round Legs
(M)		4	Pad V
(N)		2	Two-headed Pads
(O)		16	Bolt 5/16" x 25mm
(P)		8	Bolt 5/16" x 45mm
(Q)		24	Flat Washer Ø8 5/16"
(R)		1	Allen Key

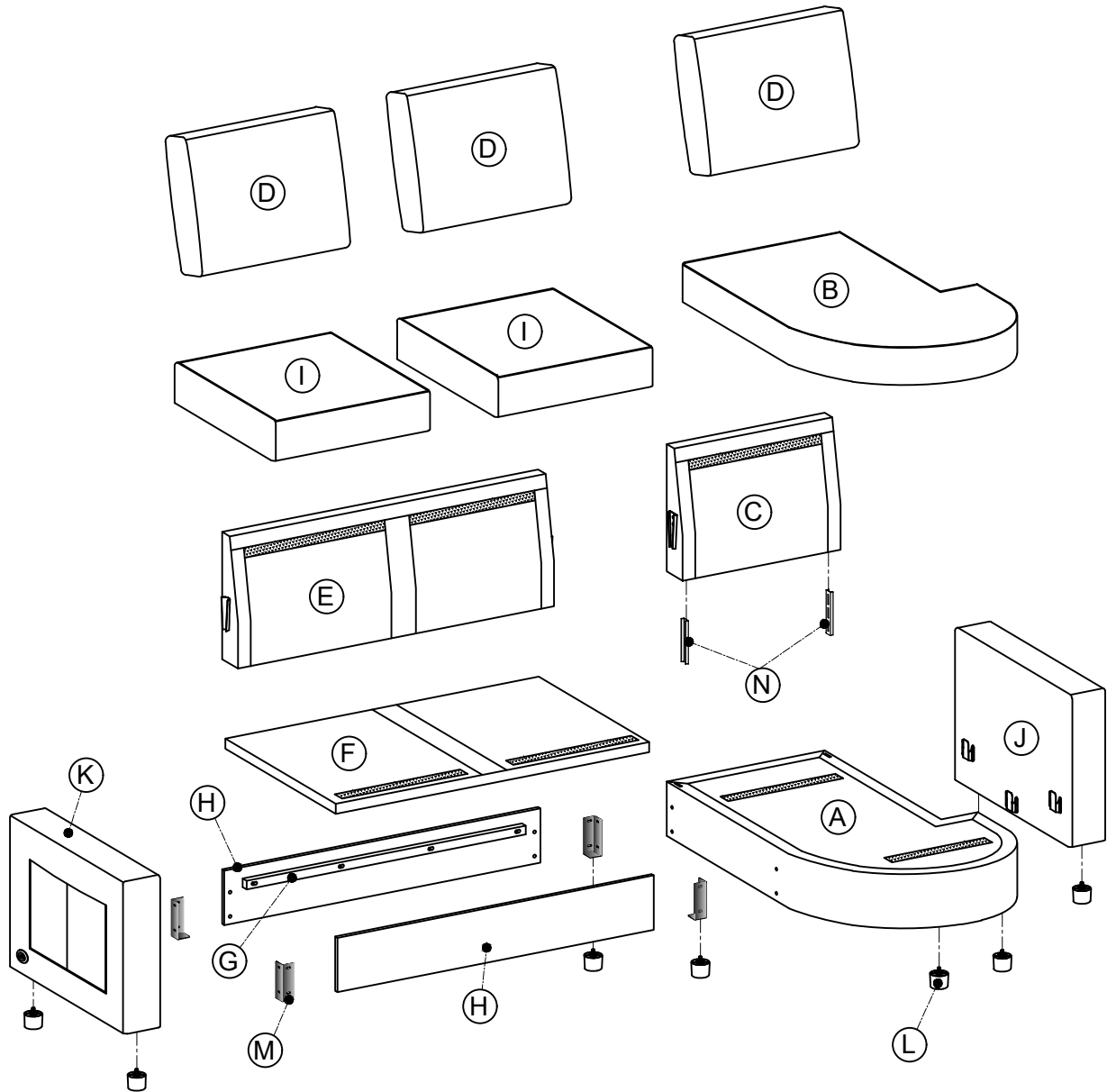
**N719P335522- COMPONENT LIST**

NO.	DRAWING	QTY	DESCRIPTION
(E)		1	Long Backrest
(F)		1	Loveseat Frame Body
(G)		2	Support Bar

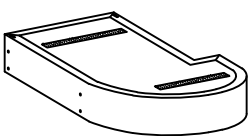
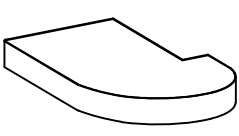
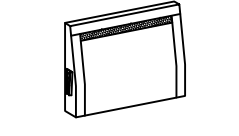
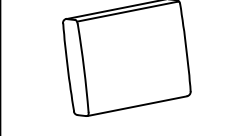
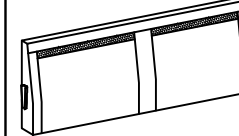
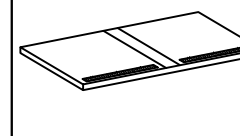
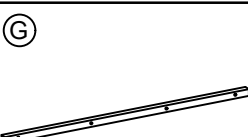
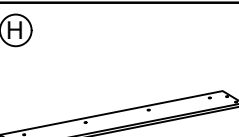
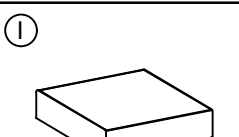
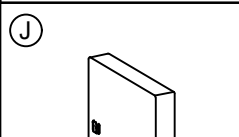
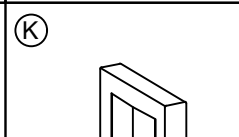
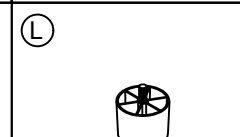
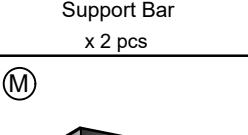
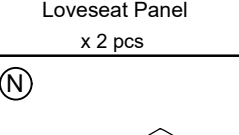
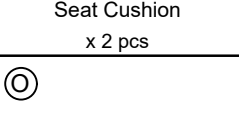
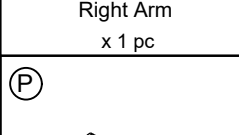

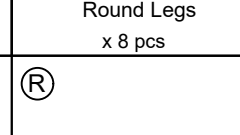
NO.	DRAWING	QTY	DESCRIPTION
Ⓜ		2	Loveseat Panel
Ⓜ		2	Seat Cushion
Ⓜ		1	Back Cushion

**N719P335523- COMPONENT LIST**

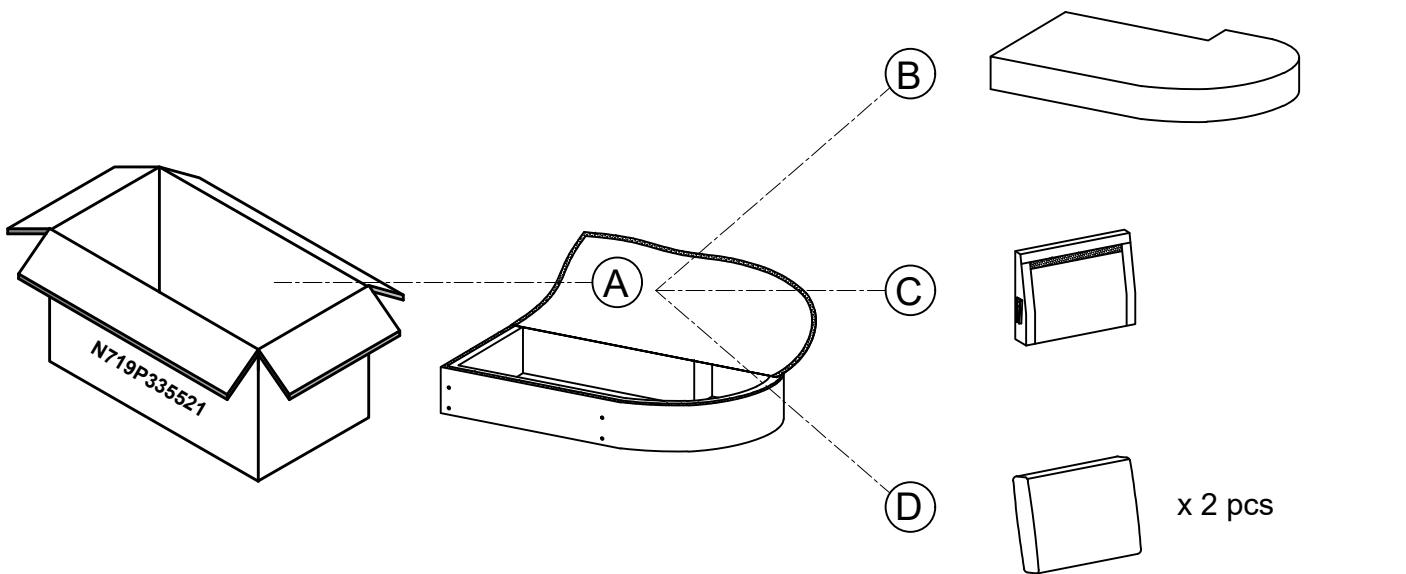
NO.	DRAWING	QTY	DESCRIPTION
Ⓜ		1	Right Arm
Ⓜ		1	Left Arm



# PARTSLIST


<b>(A)</b> 	<b>(B)</b> 	<b>(C)</b> 	<b>(D)</b> 	<b>(E)</b> 	<b>(F)</b> 
Chaise Frame x 1 pc	Chaise Seat Cushion x 1 pc	Short Backrest x 1 pc	Back Cushion x 3 pcs	Long Backrest x 1 pc	Loveseat Frame Body x 1 pc
<b>(G)</b> 	<b>(H)</b> 	<b>(I)</b> 	<b>(J)</b> 	<b>(K)</b> 	<b>(L)</b> 
Support Bar x 2 pcs	Loveseat Panel x 2 pcs	Seat Cushion x 2 pcs	Right Arm x 1 pc	Left Arm x 1 pc	Round Legs x 8 pcs
<b>(M)</b> 	<b>(N)</b> 	<b>(O)</b> 	<b>(P)</b> 	<b>(Q)</b> 	<b>(R)</b> 
Pad V x 4 pcs	Two-headed Pads x 2 pcs	Bolt 5/16" x 25mm x 16 pcs	Bolt 5/16" x 45mm x 8 pcs	Flat Washer Ø8 5/16" x 24 pcs	Allen Key x 1 pc

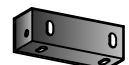
\* Take out the (A) (B) (C) (D) (L) (M) (N) (O) (P) (Q) (R)




(L)  x 8 pcs

(O)  x 16 pcs

(R)  x 1 pc

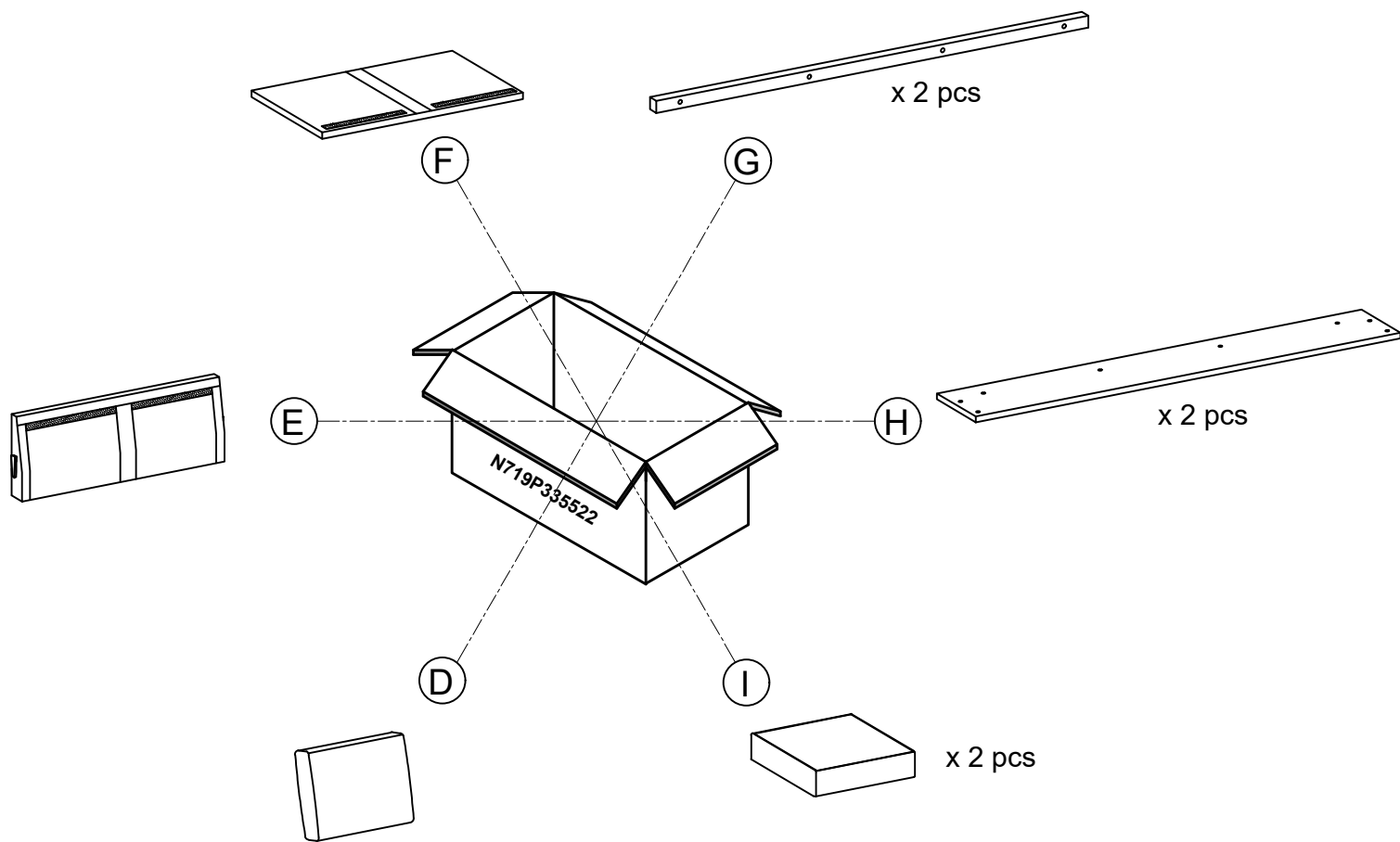
(M)  x 4 pcs

(P)  x 8 pcs

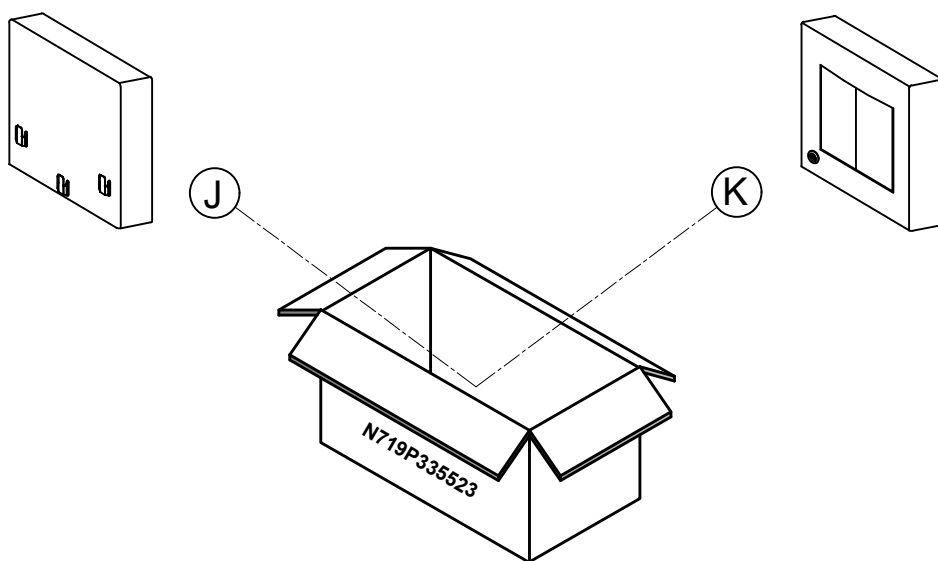
(N)  x 2 pcs

(Q)  x 24 pcs

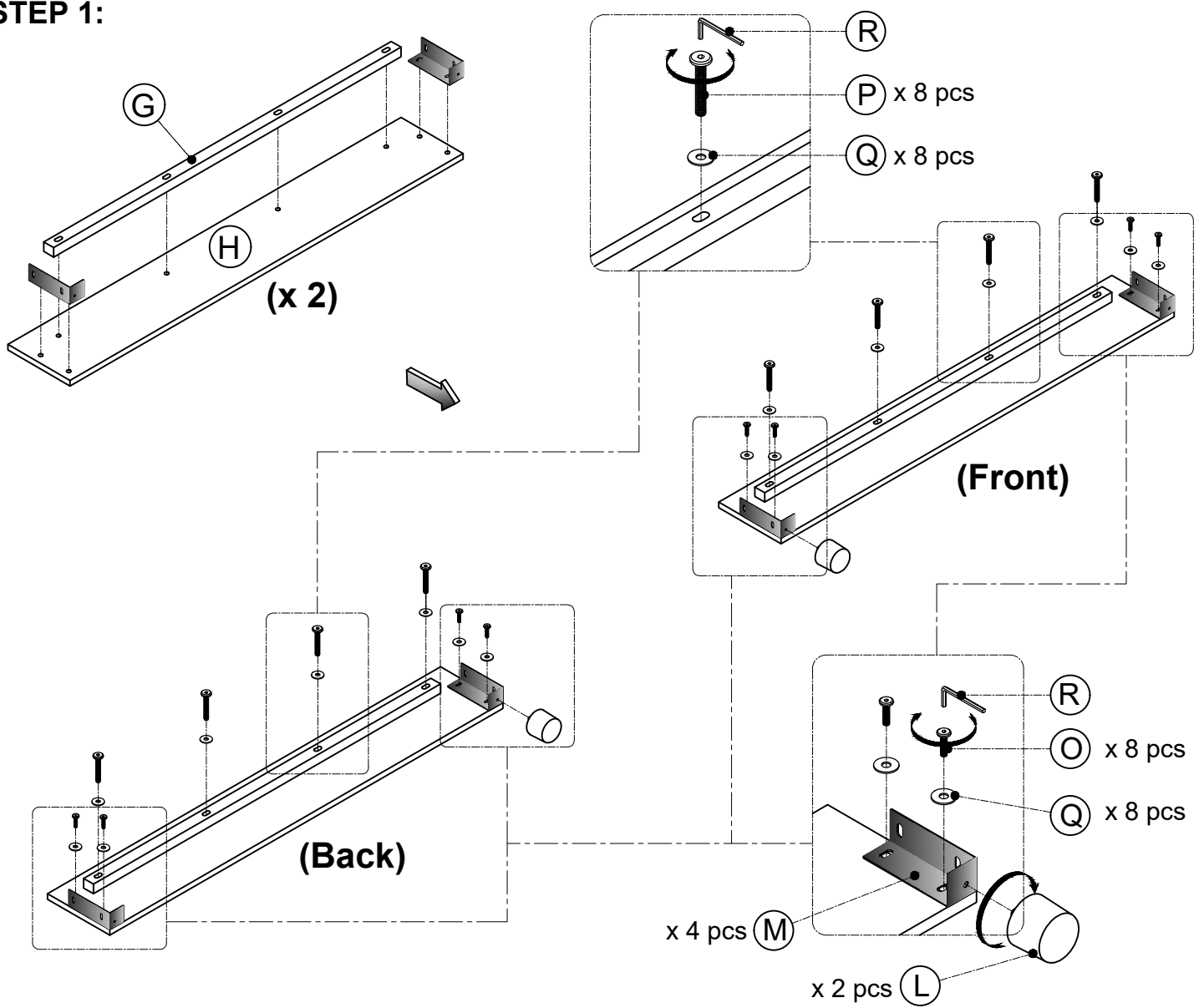
\* Take out the (E) (F) (G) (H) (I) (D)



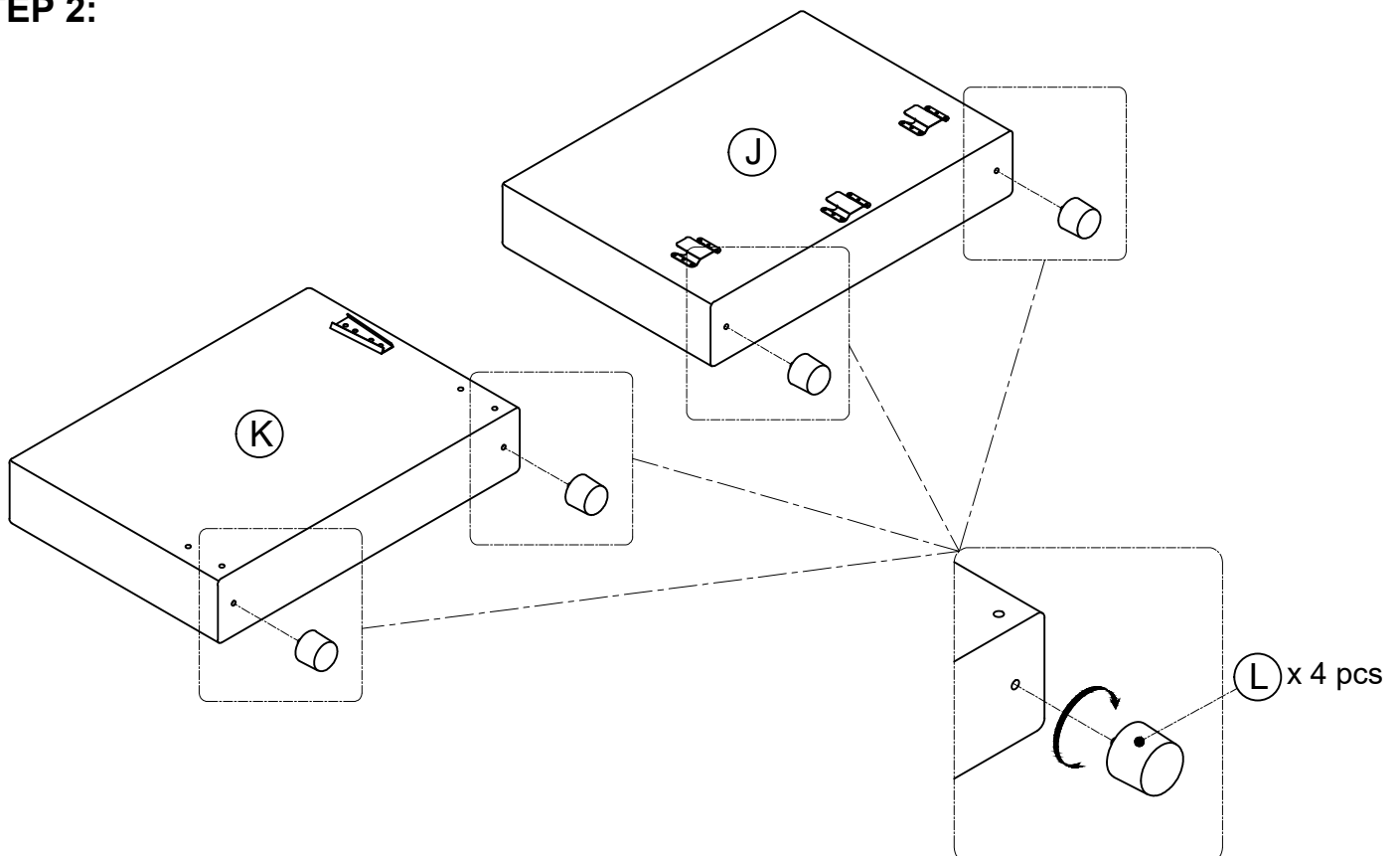
\* Take out the (J) (K)



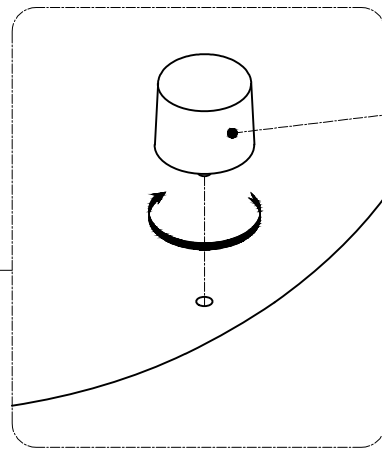
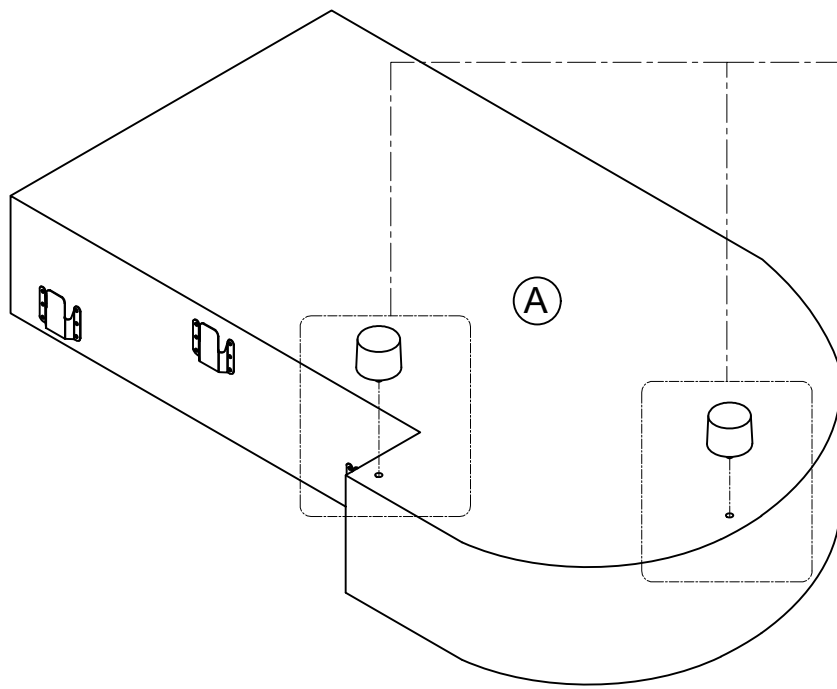
**STEP 1:**



**STEP 2:**

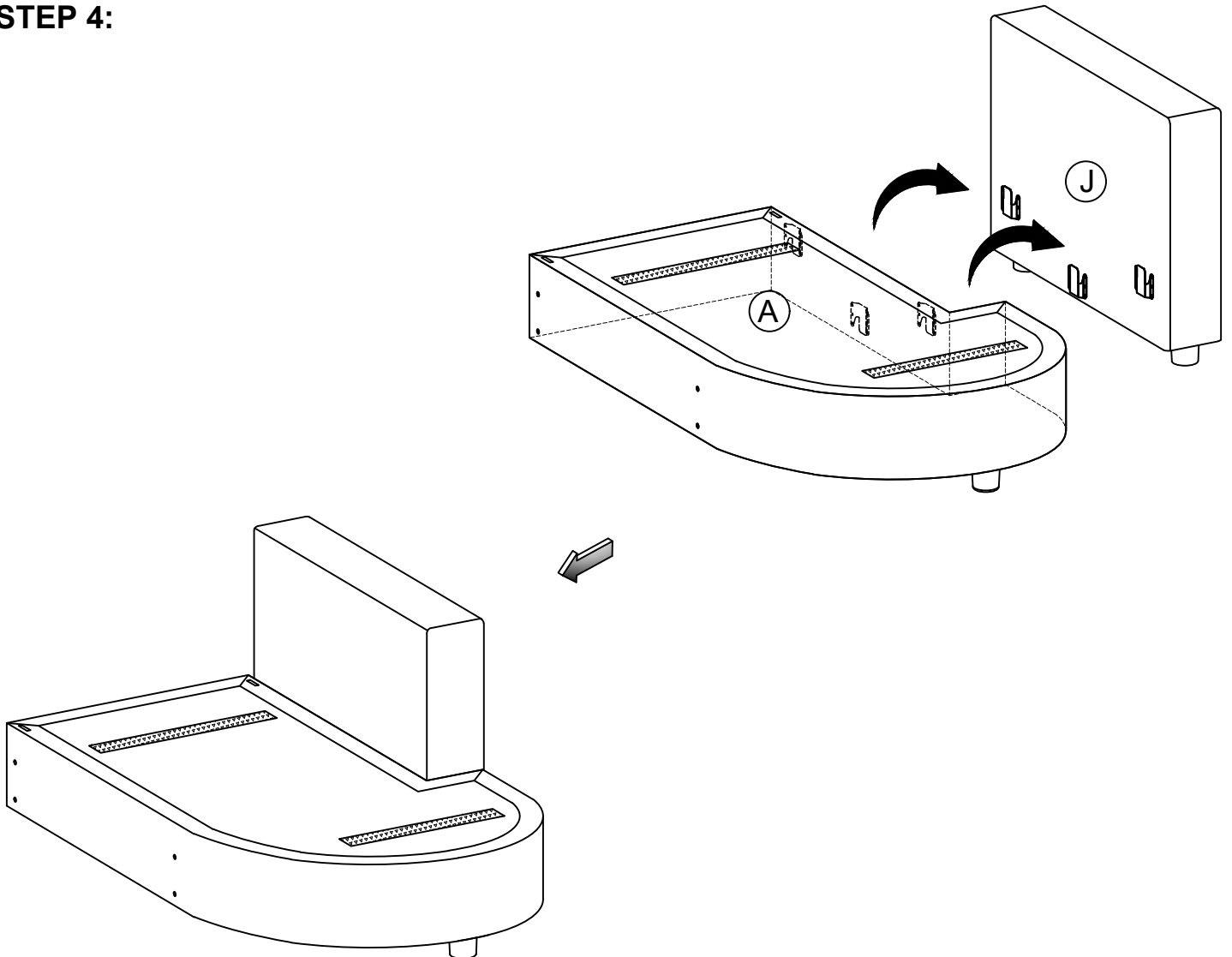


**STEP 3:**

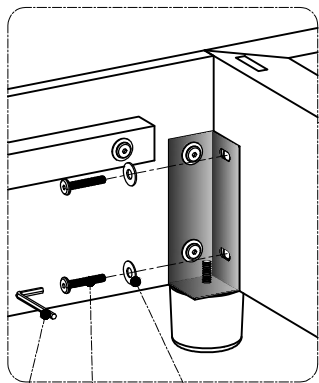
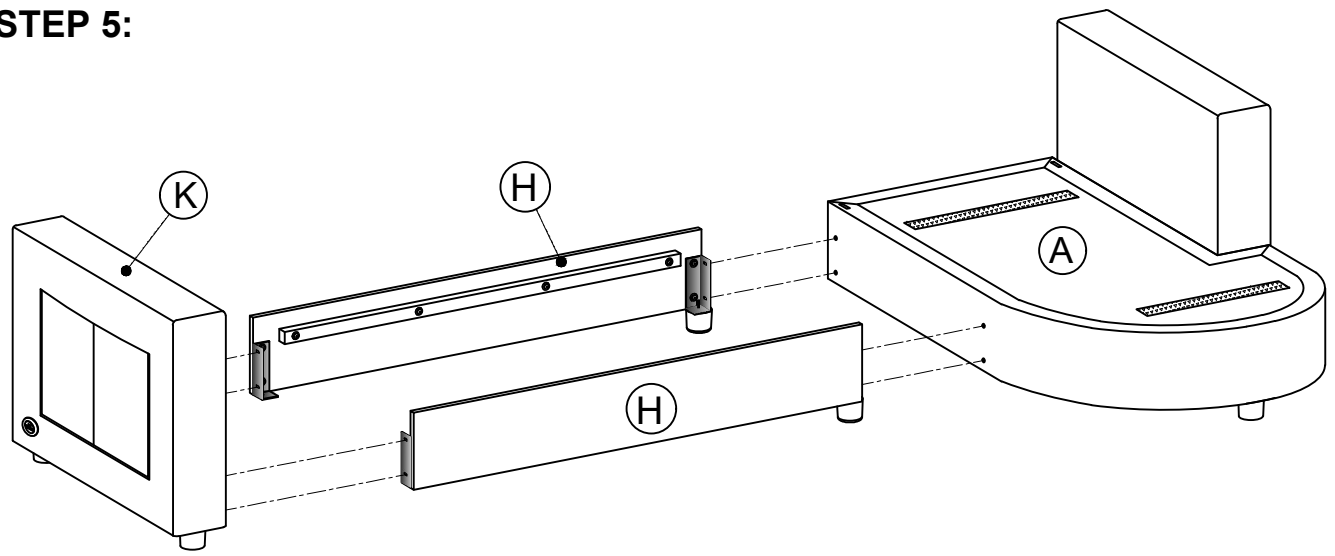


L x 2 pcs

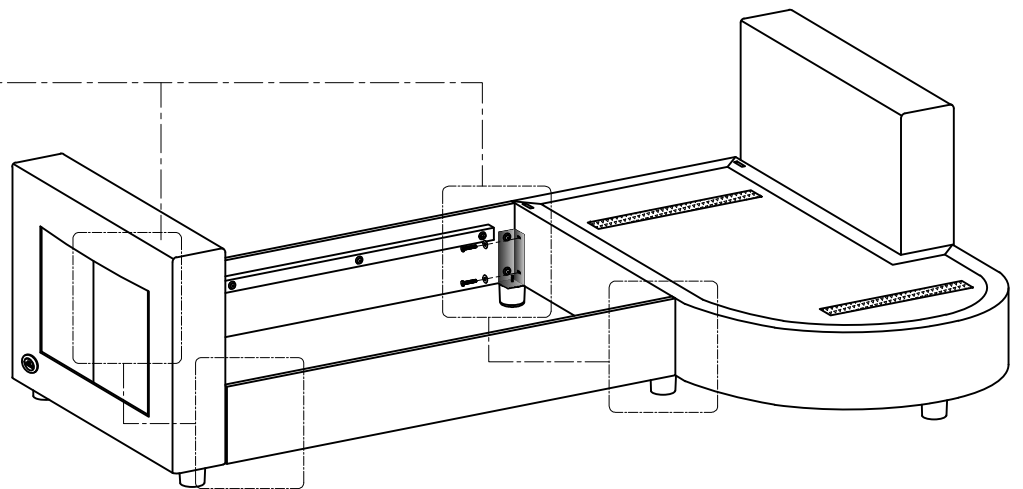
**STEP 4:**



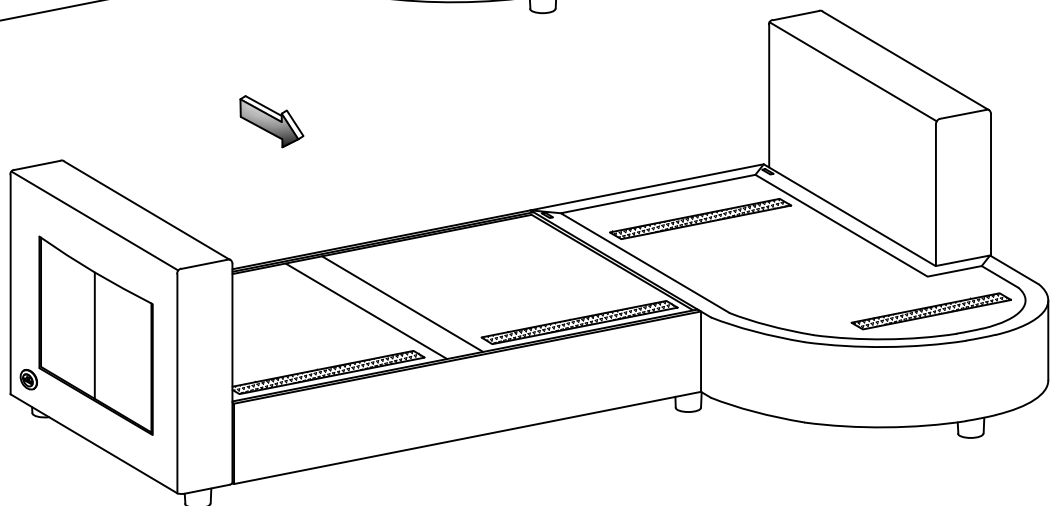
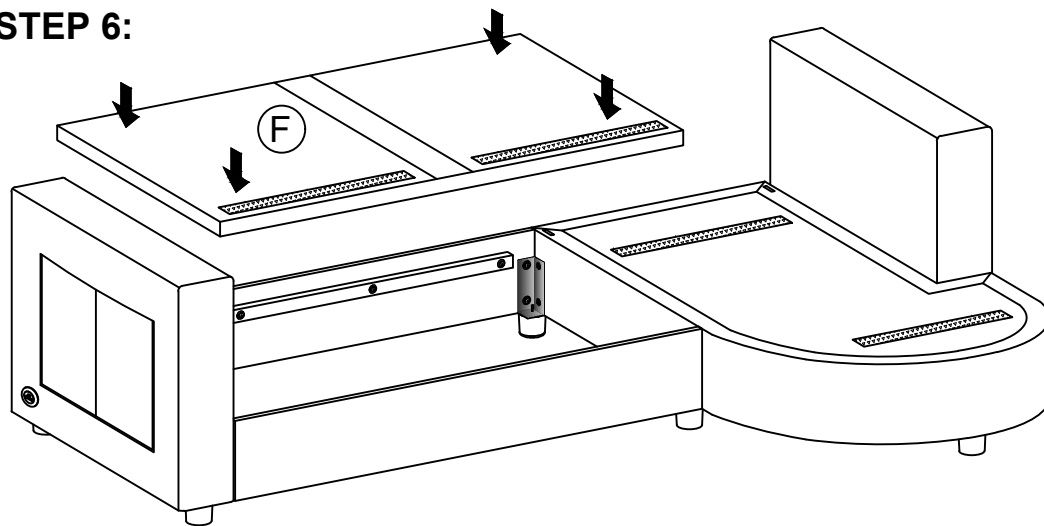
**STEP 5:**



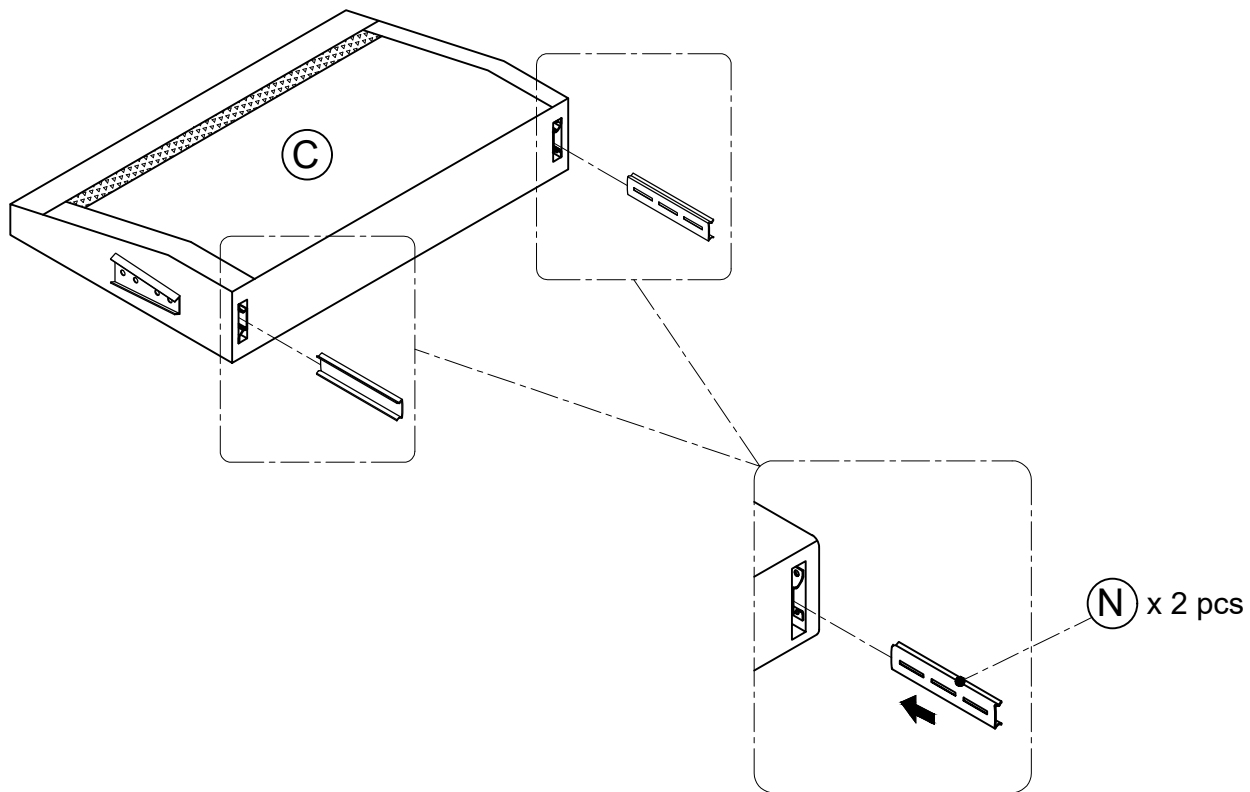
(R) (O) (Q)  
x 8 pcs x 8 pcs



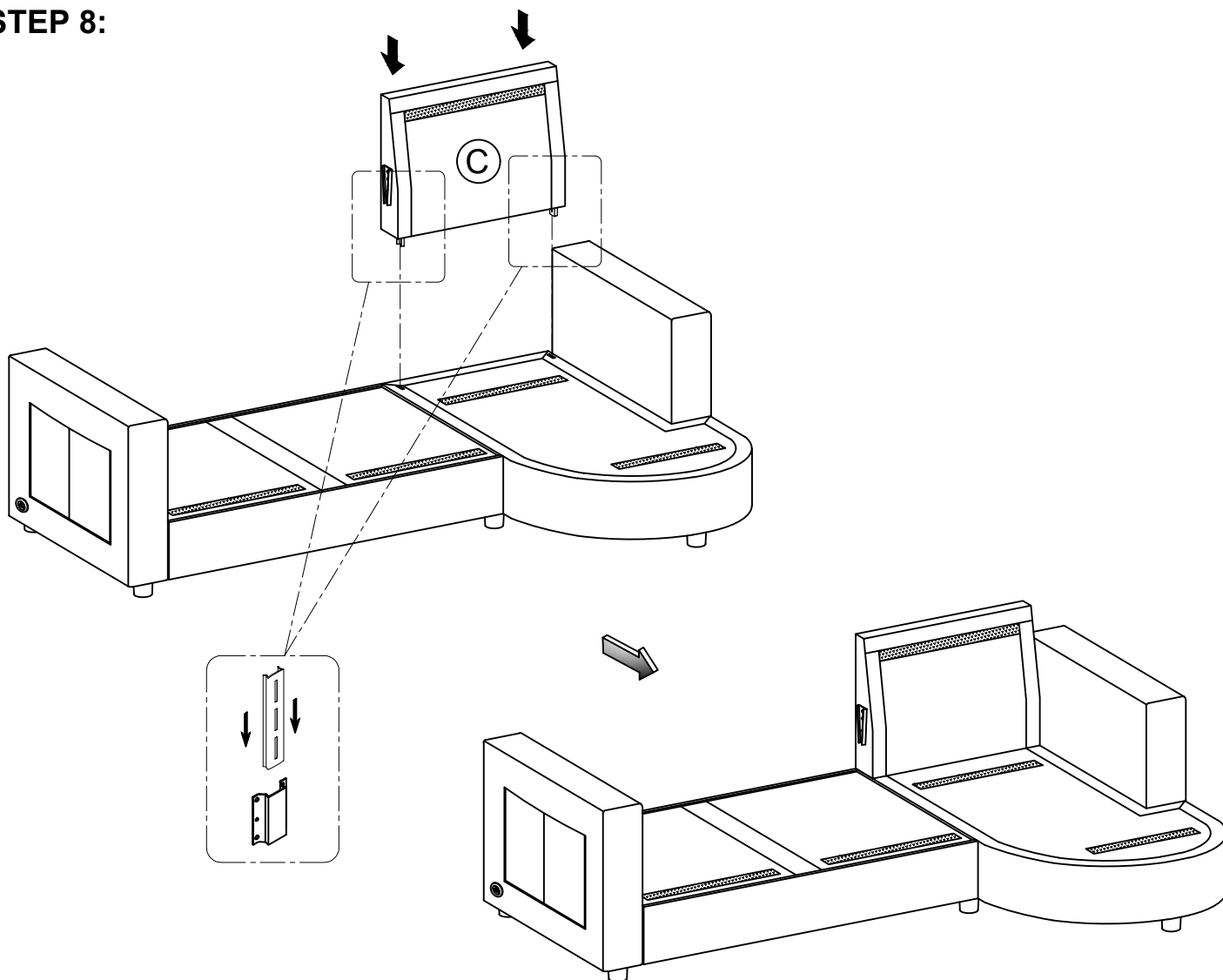
**STEP 6:**



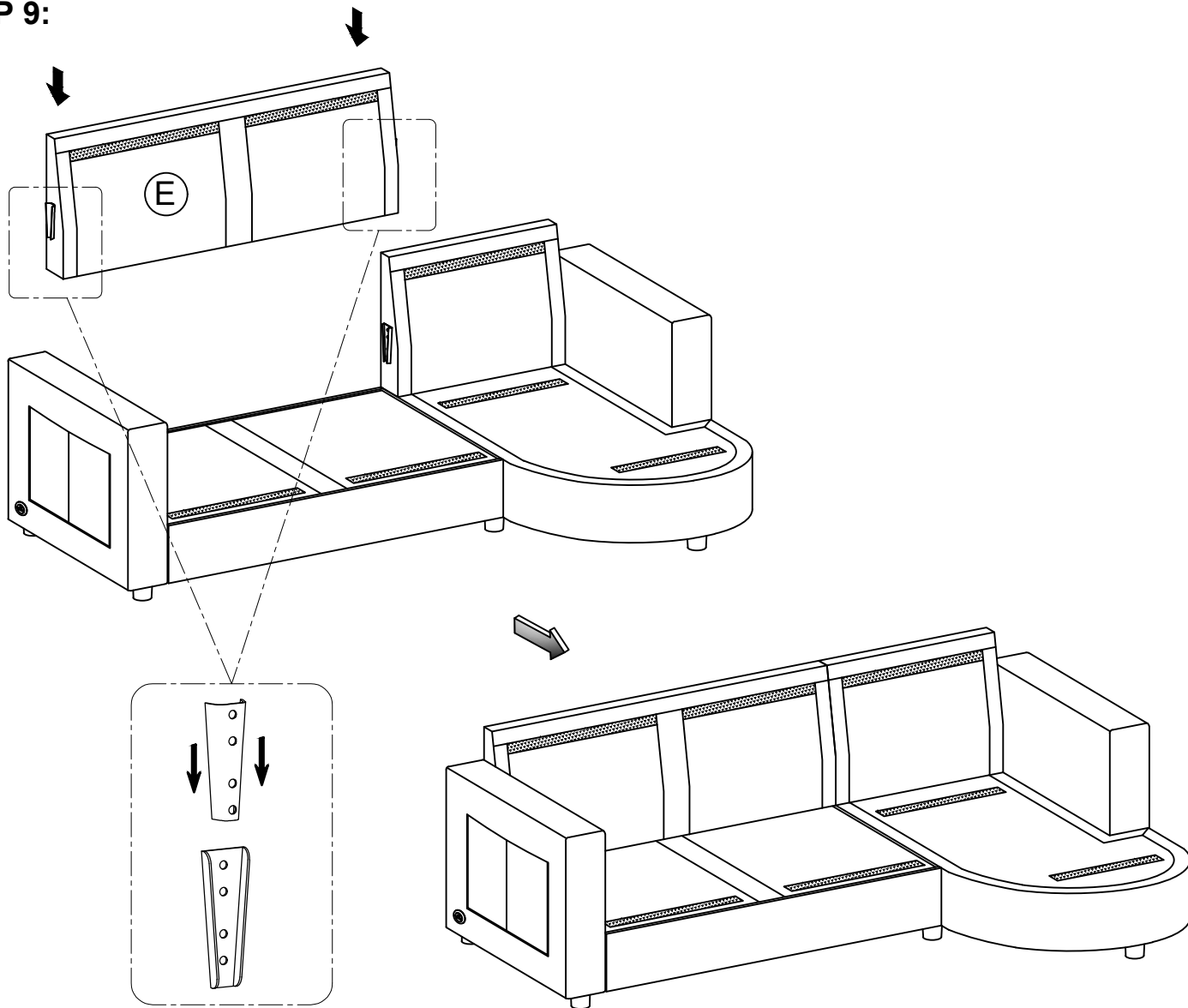
**STEP 7:**



**STEP 8:**



**STEP 9:**



## Helpful Hints

- Move your new furniture carefully, with two people lifting and carrying the unit to its new location.
- Your furniture can be disassembled and reassembled to move.
- Clean the product with a soft damp cloth. DO NOT use harsh chemicals or abrasive cleaners.

## COMPLETED

