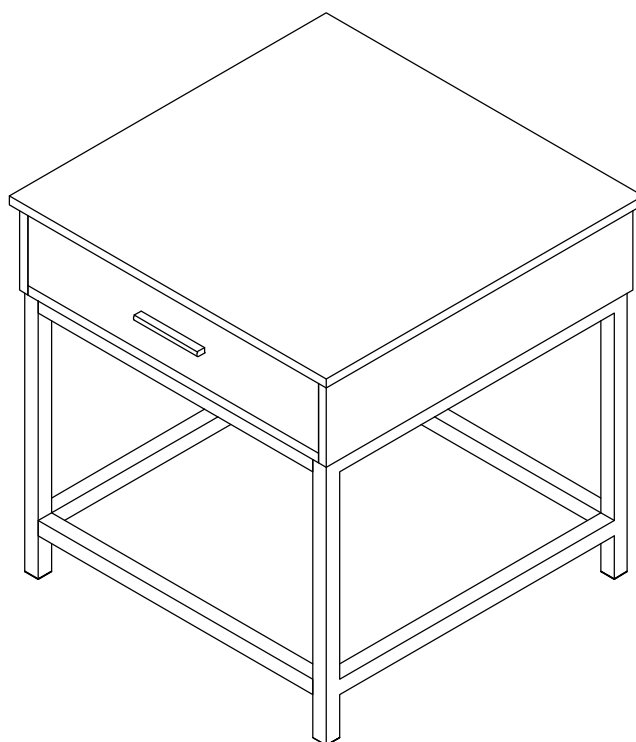


ASSEMBLY INSTRUCTIONS



Fine Furniture for every stage of life

END TABLE

ASSEMBLY INSTRUCTIONS

ASSEMBLY TIPS:

1. Remove hardware from box and sort by size.
2. Please check to see that all hardware and parts are present prior to start of assembly.
3. Please follow attached instructions in the same sequence as numbered to assure fast & easy assembly.



WARNING!

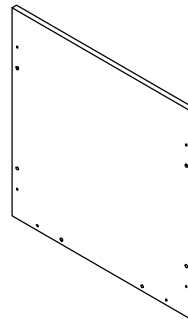
1. Don't attempt to repair or modify parts that are broken or defective. Please contact the store immediately.
2. This product is for home use only and not intended for commercial establishments.

ASSEMBLY TIME 50 MINUTES

PARTS IDENTIFICATION

A

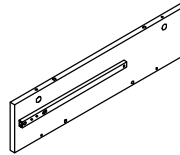
TOP PANEL



1PC

B

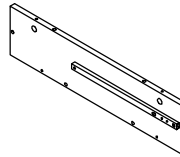
LEFT PANEL



1PC

C

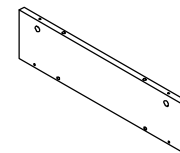
RIGHT PANEL



1PC

D

BACK PANEL

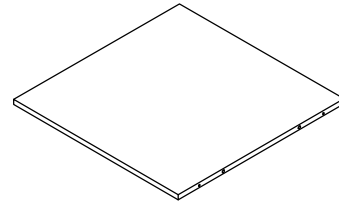


1PC

ASSEMBLY INSTRUCTIONS

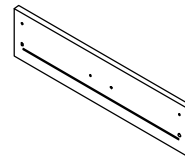
PARTS IDENTIFICATION

E BOTTOM PANEL



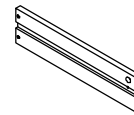
1PC

F DRAWER FRONT PANEL



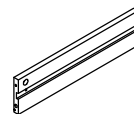
1PC

G DRAWER LEFT PANEL



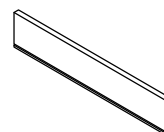
1PC

H DRAWER RIGHT PANEL



1PC

I DRAWER BACK PANEL

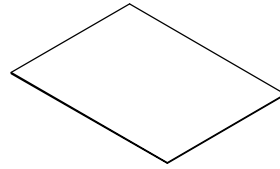


1PC

ASSEMBLY INSTRUCTIONS

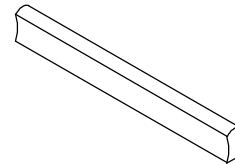
PARTS IDENTIFICATION

J DRAWER BOTTOM PANEL



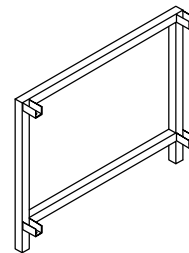
1PC

K HANDLE



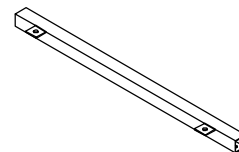
1PC

L SIDE FRAME



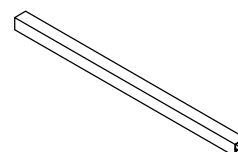
2PCS

M TOP CROSSBAR



2PCS











N BOTTOM CROSSBAR



2PCS

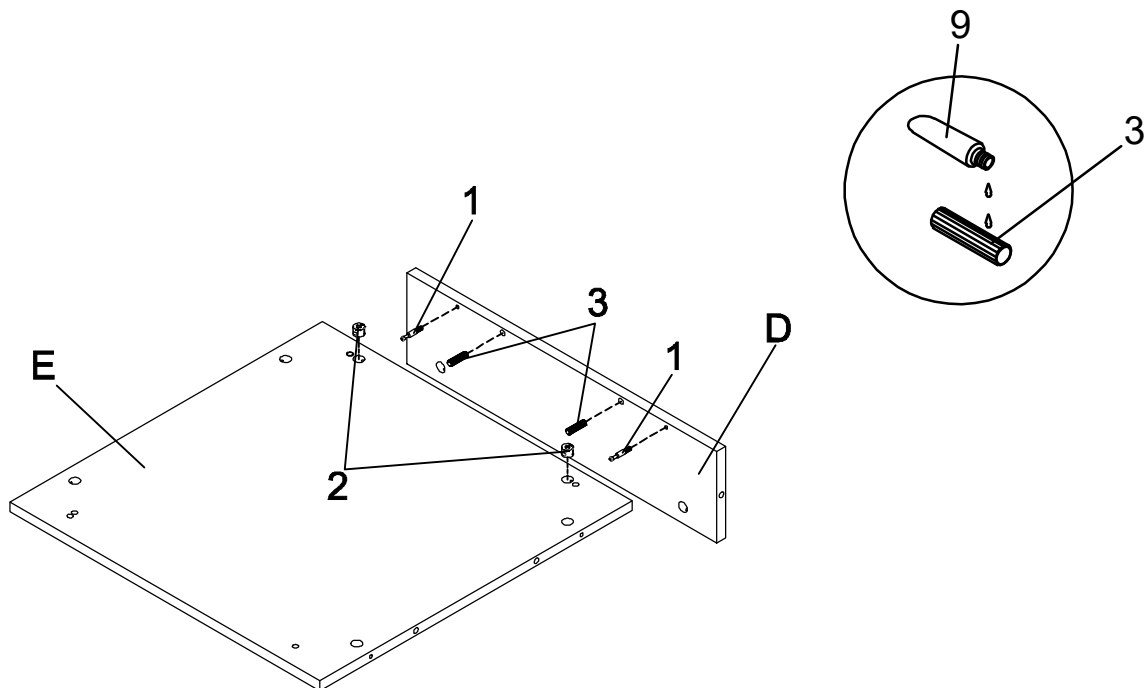
ASSEMBLY INSTRUCTIONS

HARDWARE IDENTIFICATION

1	CAM BOLT (45MM)		14PCS	6	SHORT SCREW (5/32" x22mm)		2PCS
2	CAM-LOCK (Ø15MM)		14PCS	7	SHORT BOLT (1/4" x 12mm)		20PCS
3	WOOD DOWEL (8 x 35mm)		16PCS	8	CAP (25 x 25mm)		4PCS
4	LONG SCREW (8 x 38mm)		4PCS	9	GLUE		1PC
5	SMALL BOLT (5/32" x12mm)		2PCS	10	ALLEN WRENCH (4mm)		1PC

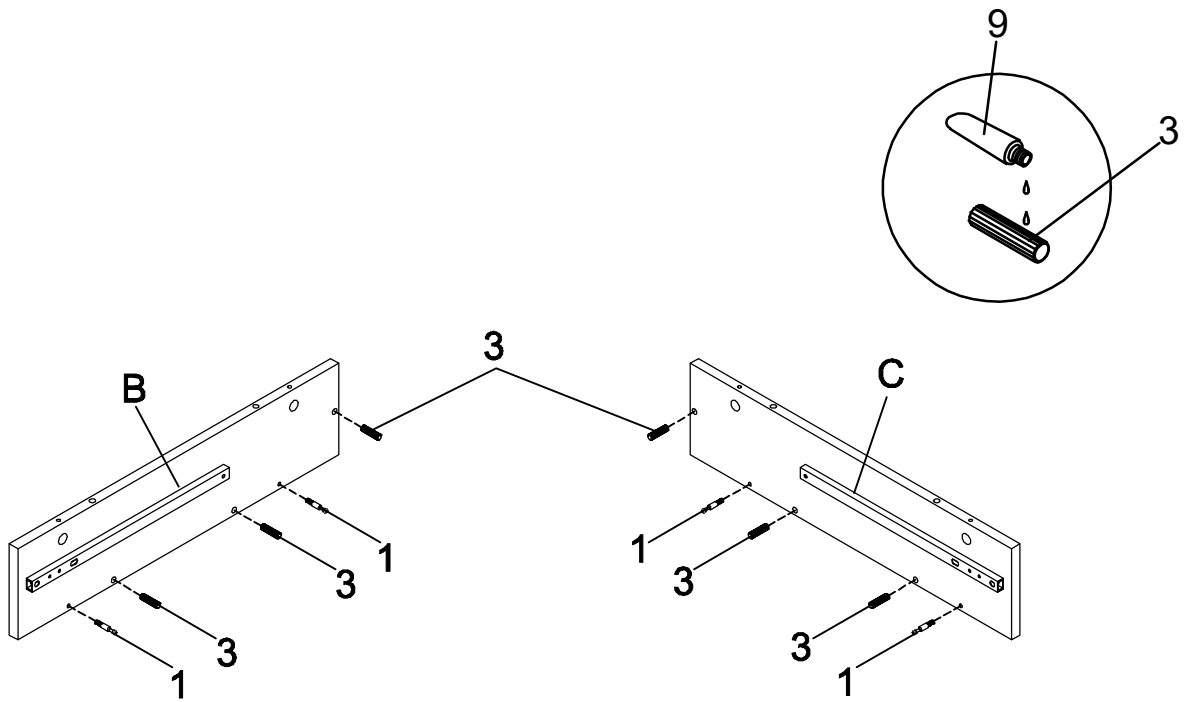
STEP 1

Do not tighten until each step is completed or instructed.

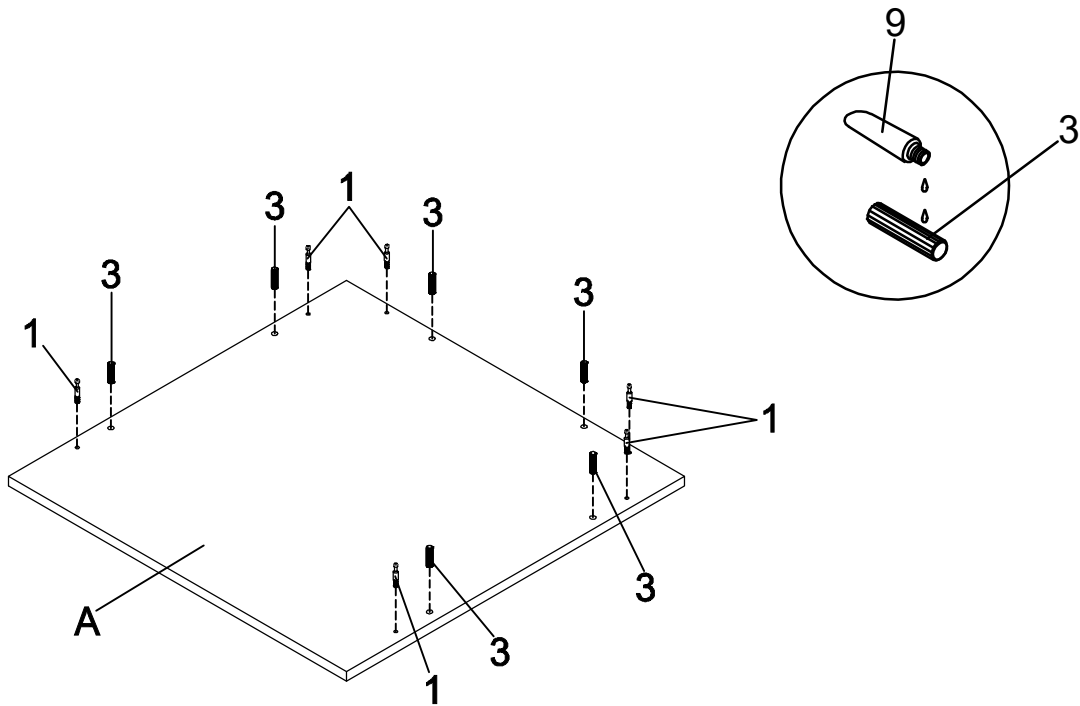


ASSEMBLY INSTRUCTIONS

STEP 2

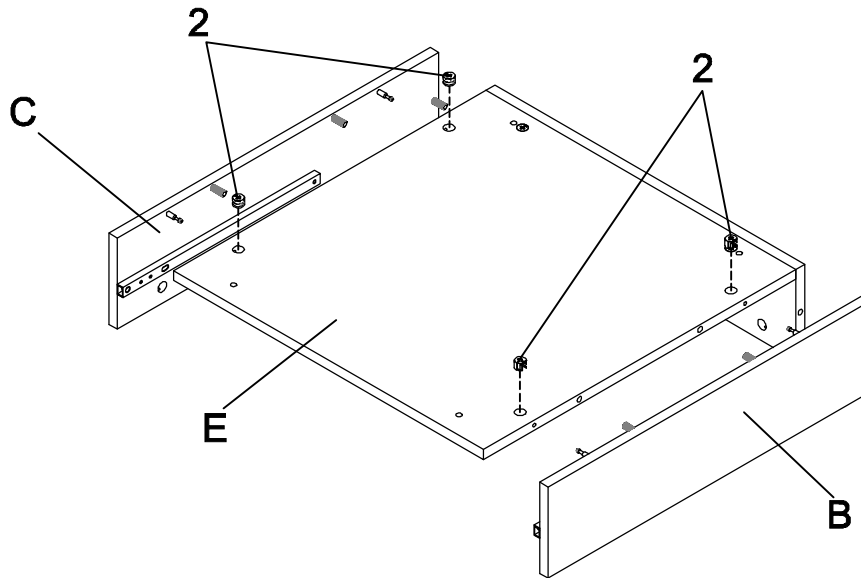


STEP 3

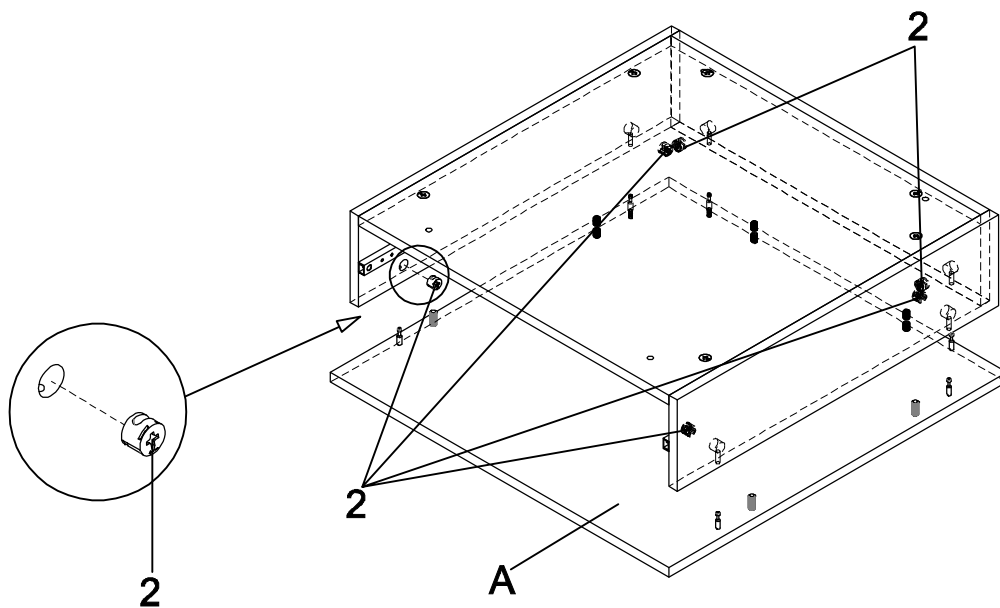


ASSEMBLY INSTRUCTIONS

STEP 4

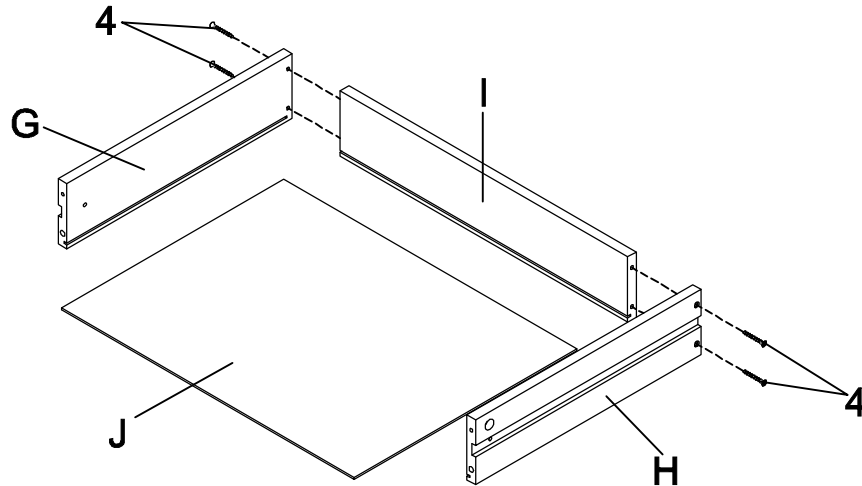


STEP 5

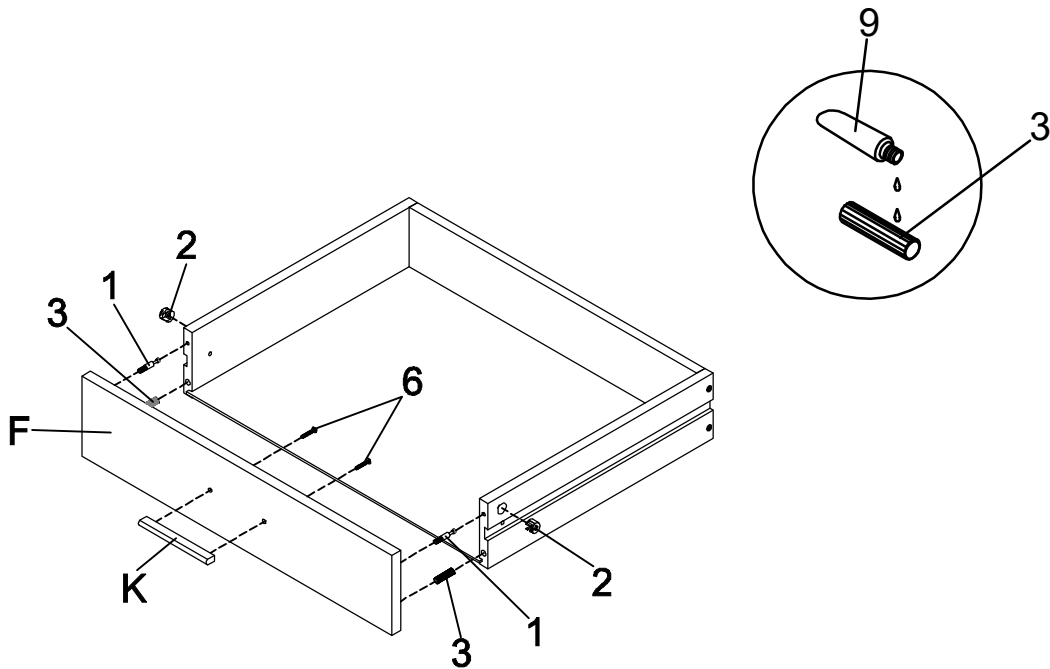


ASSEMBLY INSTRUCTIONS

STEP 6

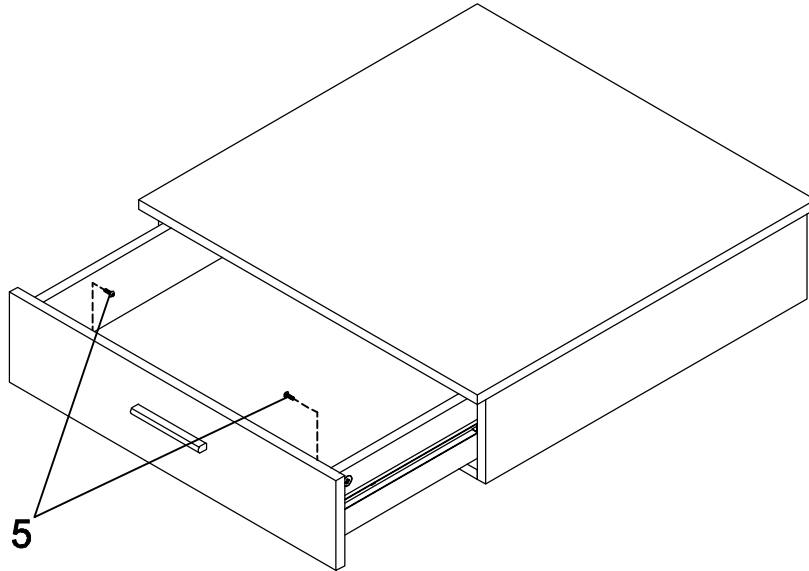


STEP 7

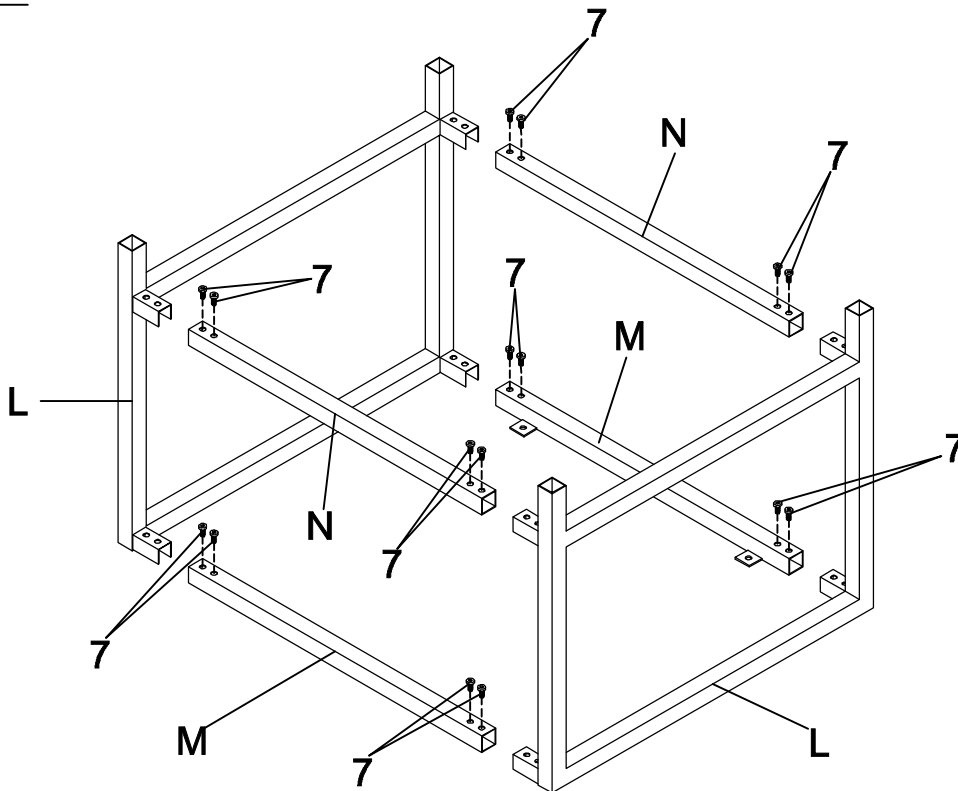


ASSEMBLY INSTRUCTIONS

STEP 8

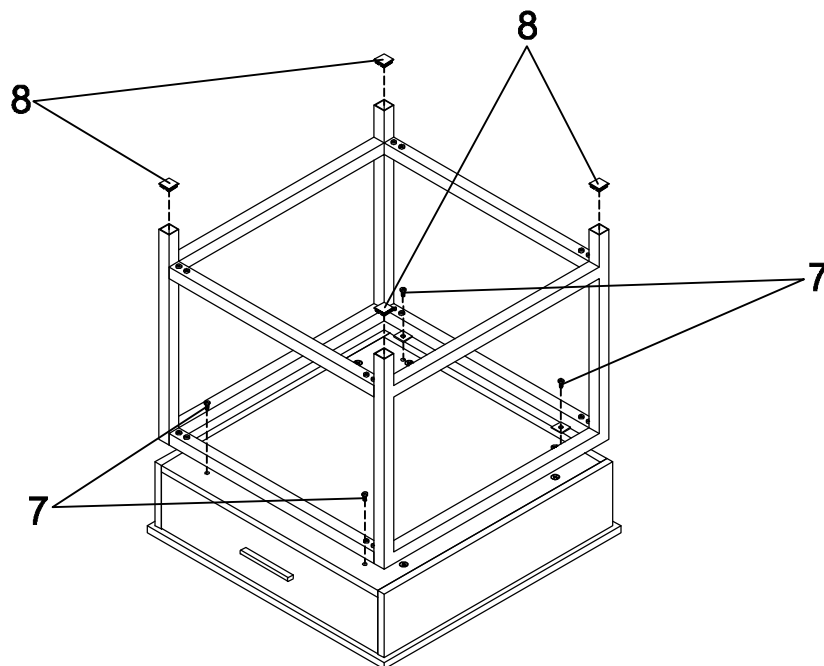


STEP 9

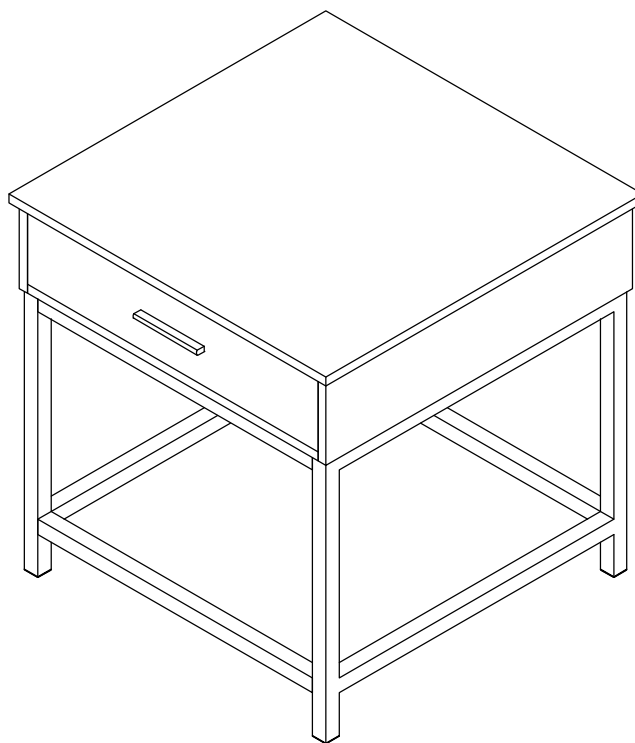


ASSEMBLY INSTRUCTIONS

STEP 10

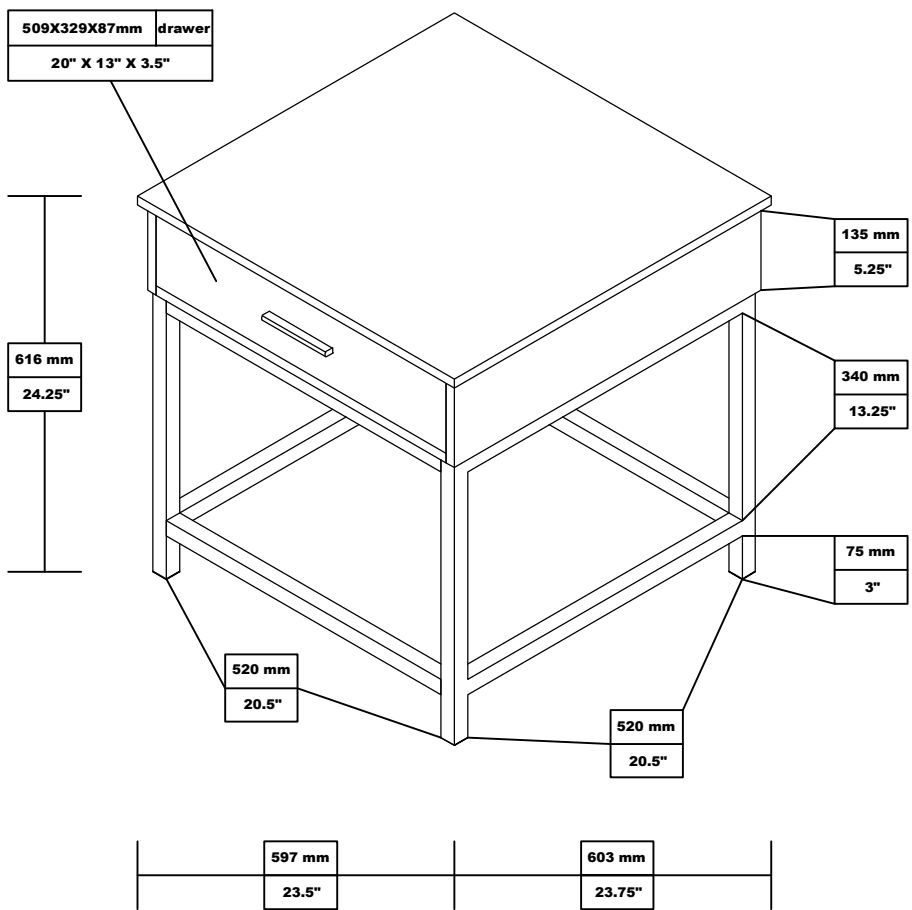


STEP 11 COMPLETE



ASSEMBLY INSTRUCTIONS

Product Size : 597 X 603 X 616 H (MM)
Product Size : 23.5" X 23.75" X 24.25"



Note : Dimension tolerance $\pm 5\%$