



SKU: KHD-AE-T26-P1&P2

BRN & GRY & DBN

Lot No.: SK-NO.1

Assembly Guide

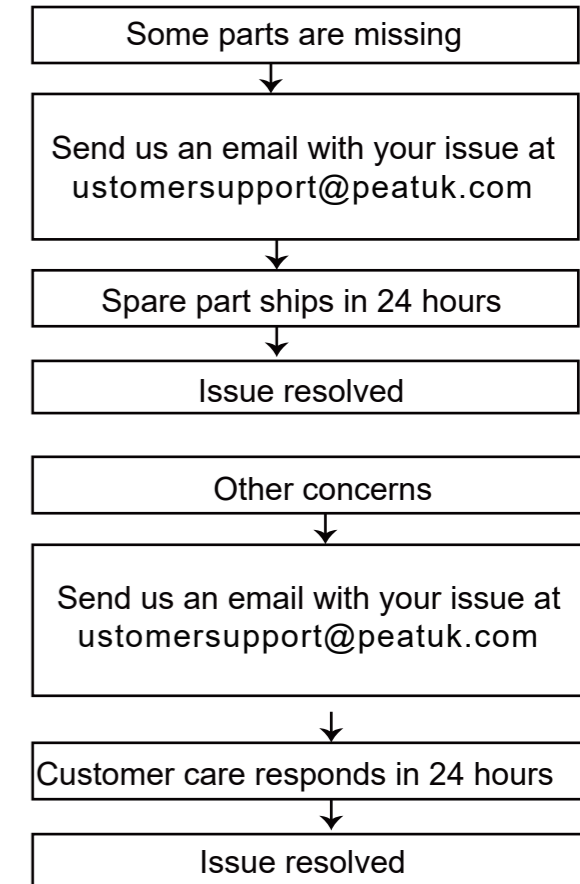
Tip!

Do check for all the components and screws listed in this guide before putting things together. If any part is missing, contact us at ustomersupport@peatuk.com for the missing part.

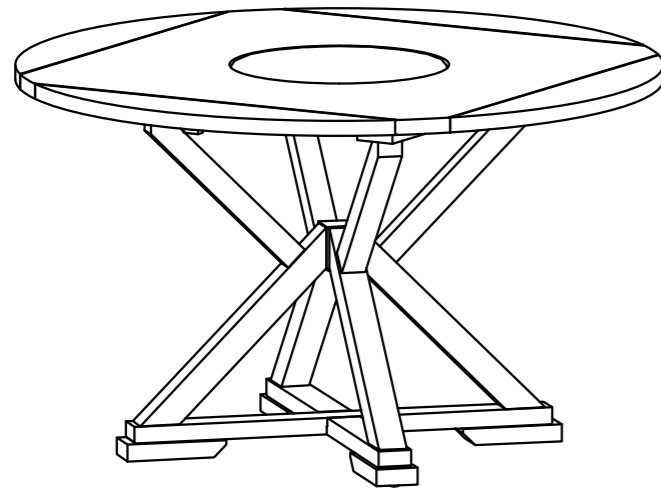
Return Policy

Your satisfaction is our top priority. If our product fails to satisfy you, please let us know how we can make things right for you. Our trained customer care team can handle most concerns and assist you with any questions you may have. Simply shoot them a message at ustomersupport@peatuk.com with your order number and question. To be eligible for a full-refund return, the item must be in pristine condition, in the original packaging, with all of the shipped components intact and not yet assembled, and with the item's unique proof of purchase.

Trouble shooting:



We run our own manufacturer, so rest assured about the quality consistency.

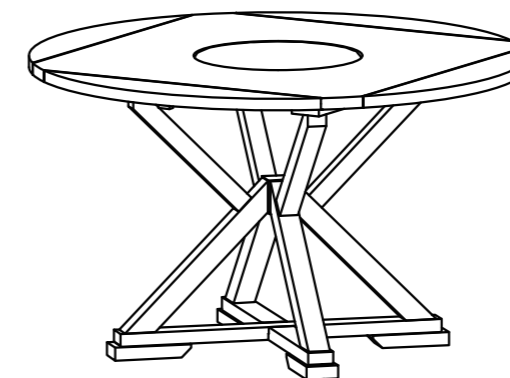


Table

How to find us?

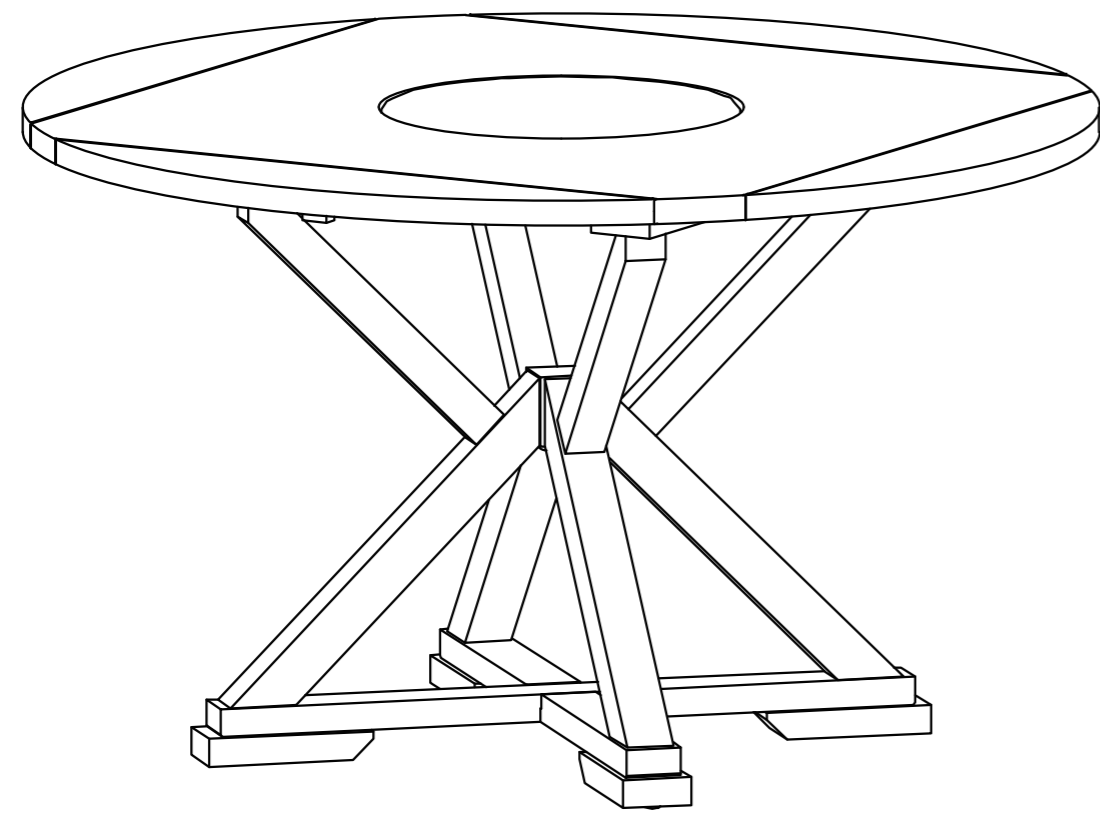
Email: ustomersupport@peatuk.com

Website: www.peatuk.com

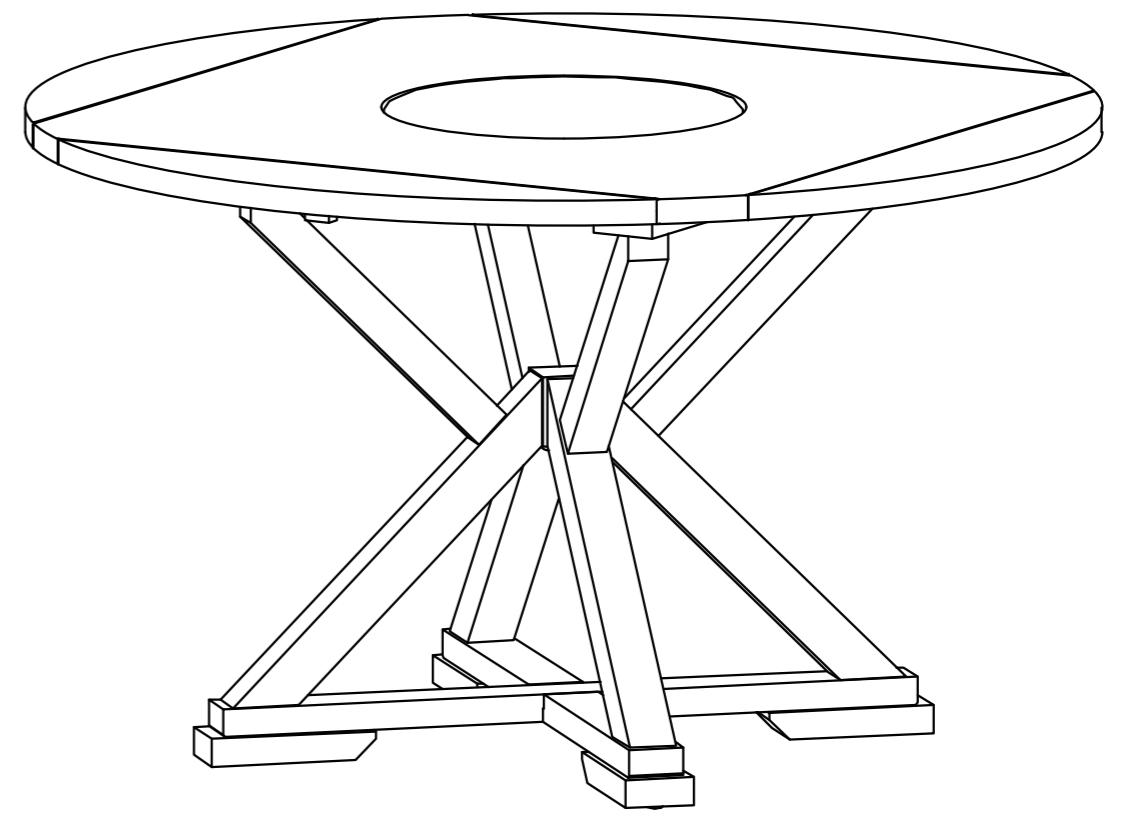


Item Description: Table

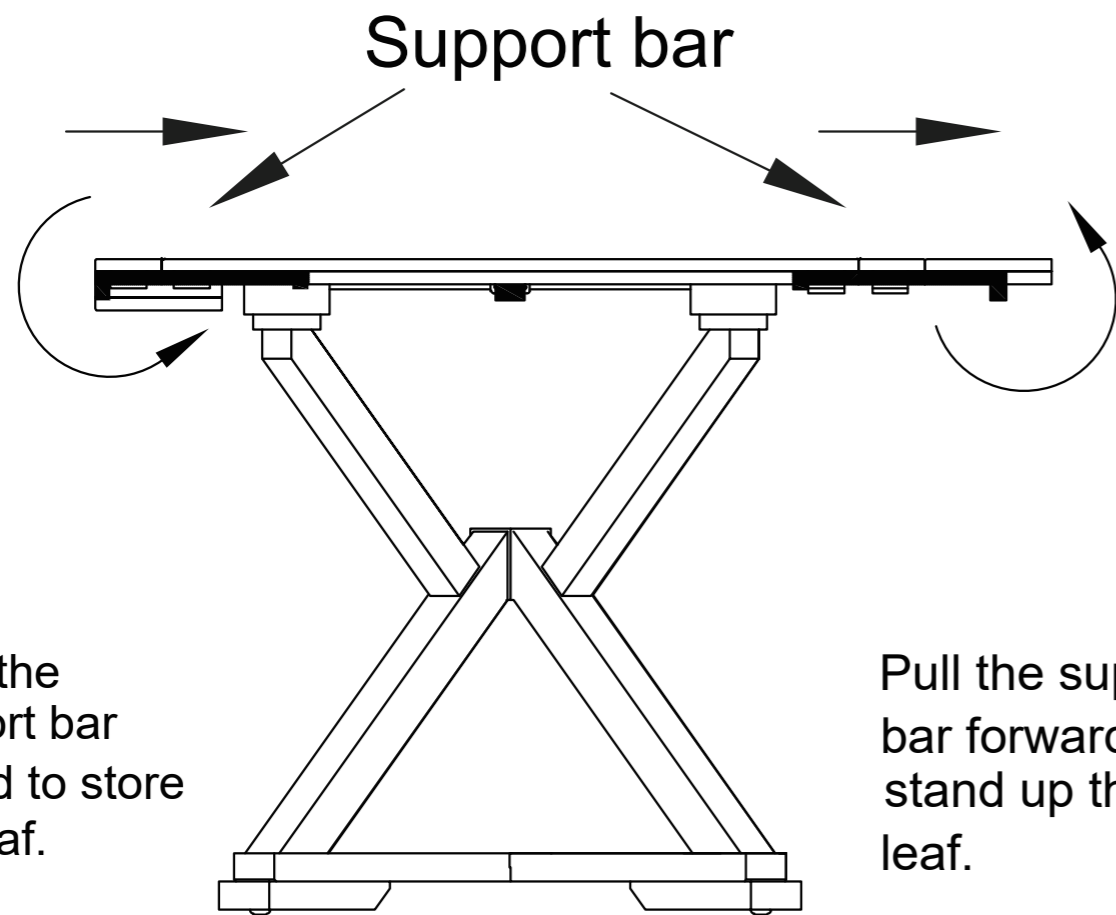
Model NO: SK-NO.1



Step 8




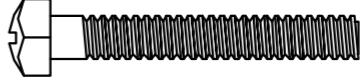
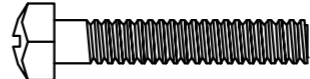




Step 7



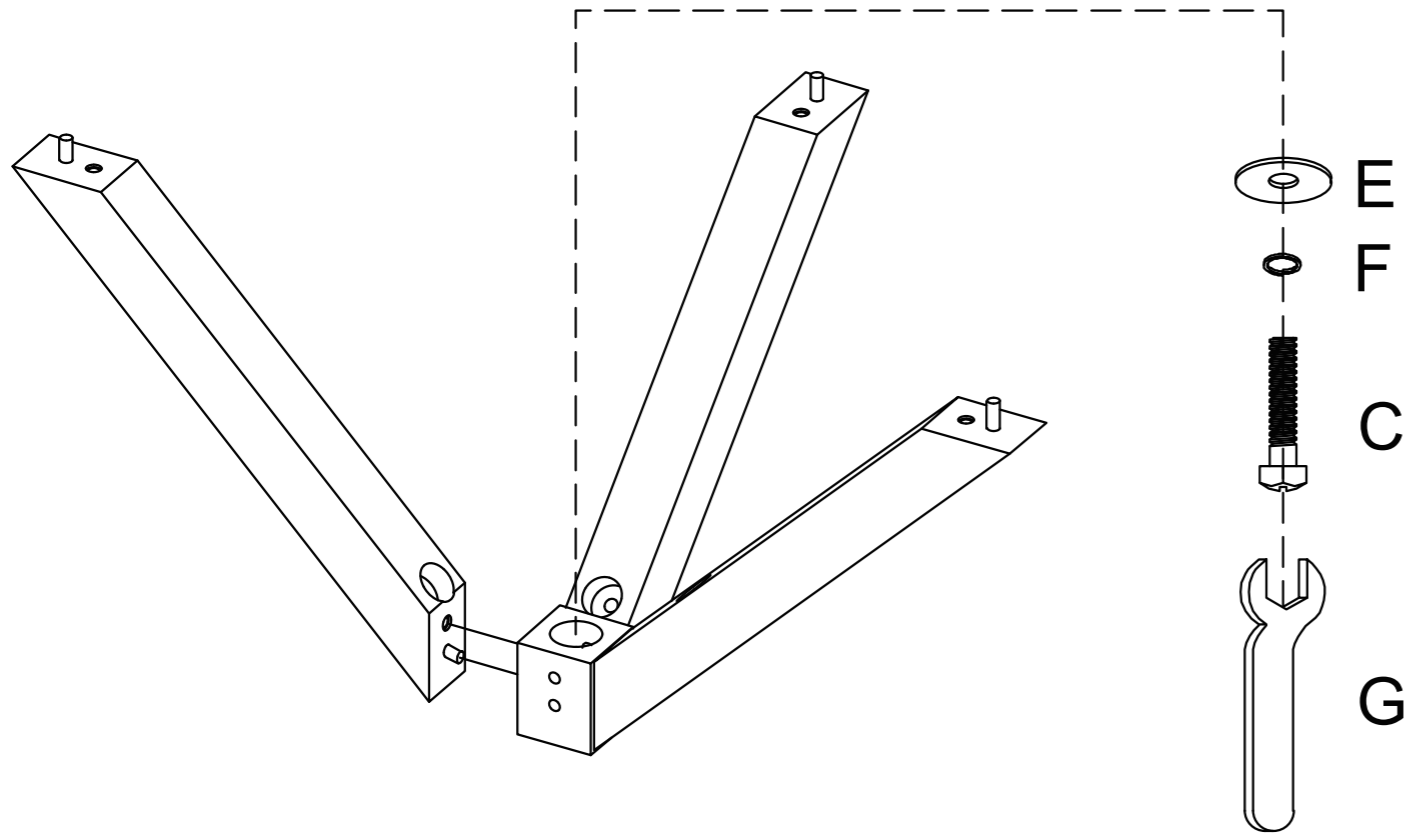
Push the support bar inward to store the leaf.

Pull the support bar forward to stand up the leaf.

Screws & Tools

A		BOLT	4pcs
B		BOLT	4pcs
C		BOLT	5pcs
D		NUT	4pcs
E		WASHER	17pcs
F		LOCK WASHER	17pcs
G		WRENCH	1pc

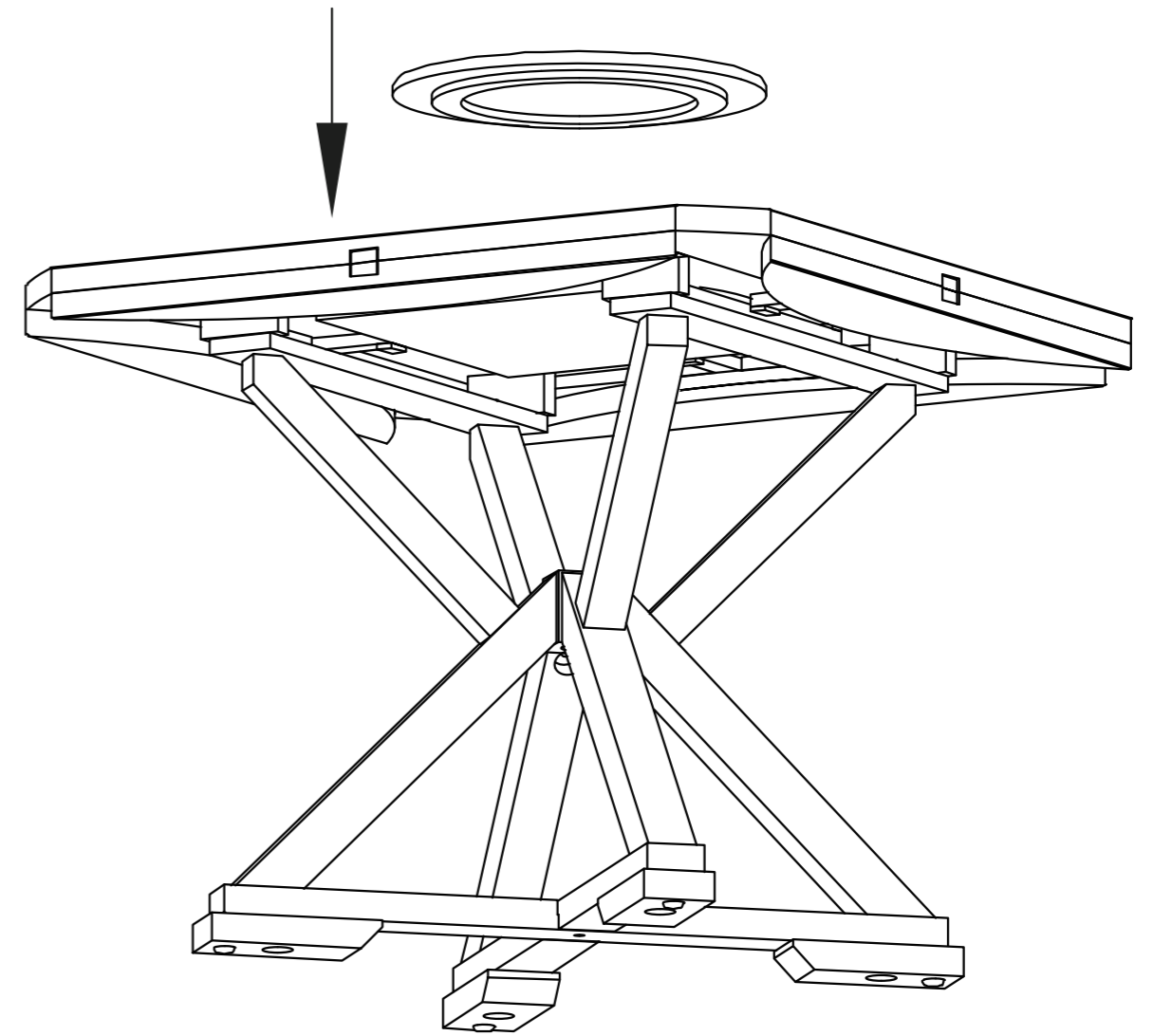
Step 1



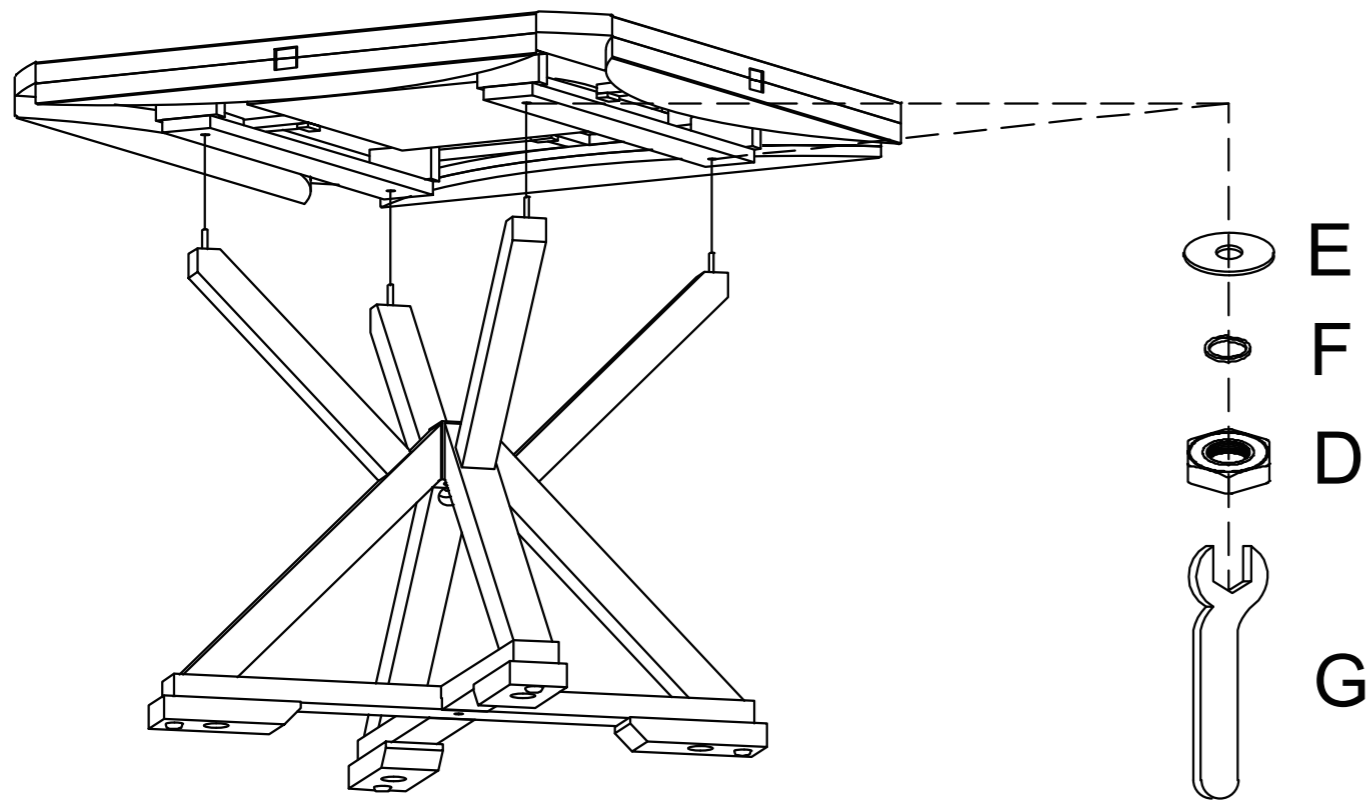
Step 6

Removable Lazy Susan

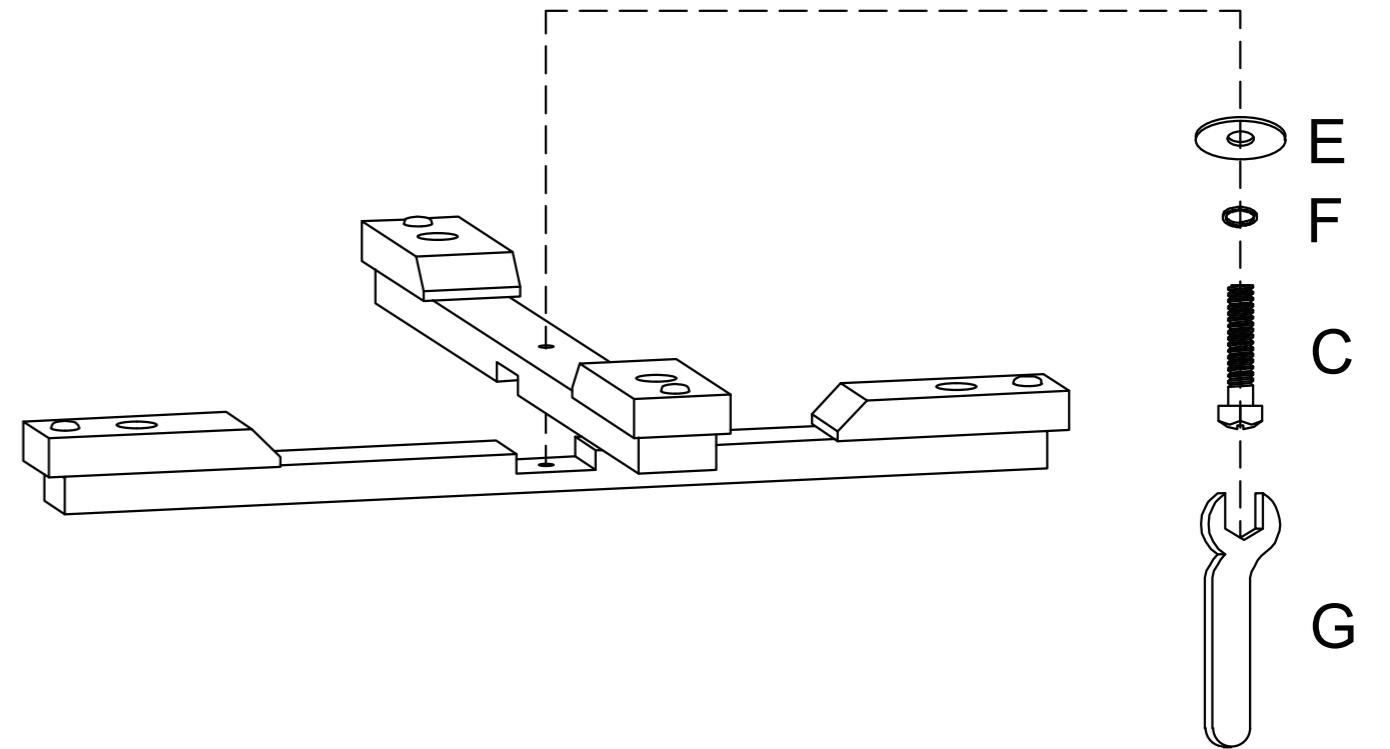
To remove the lazy susan (for cleaning purpose), push from the hole underneath of the mounted board.



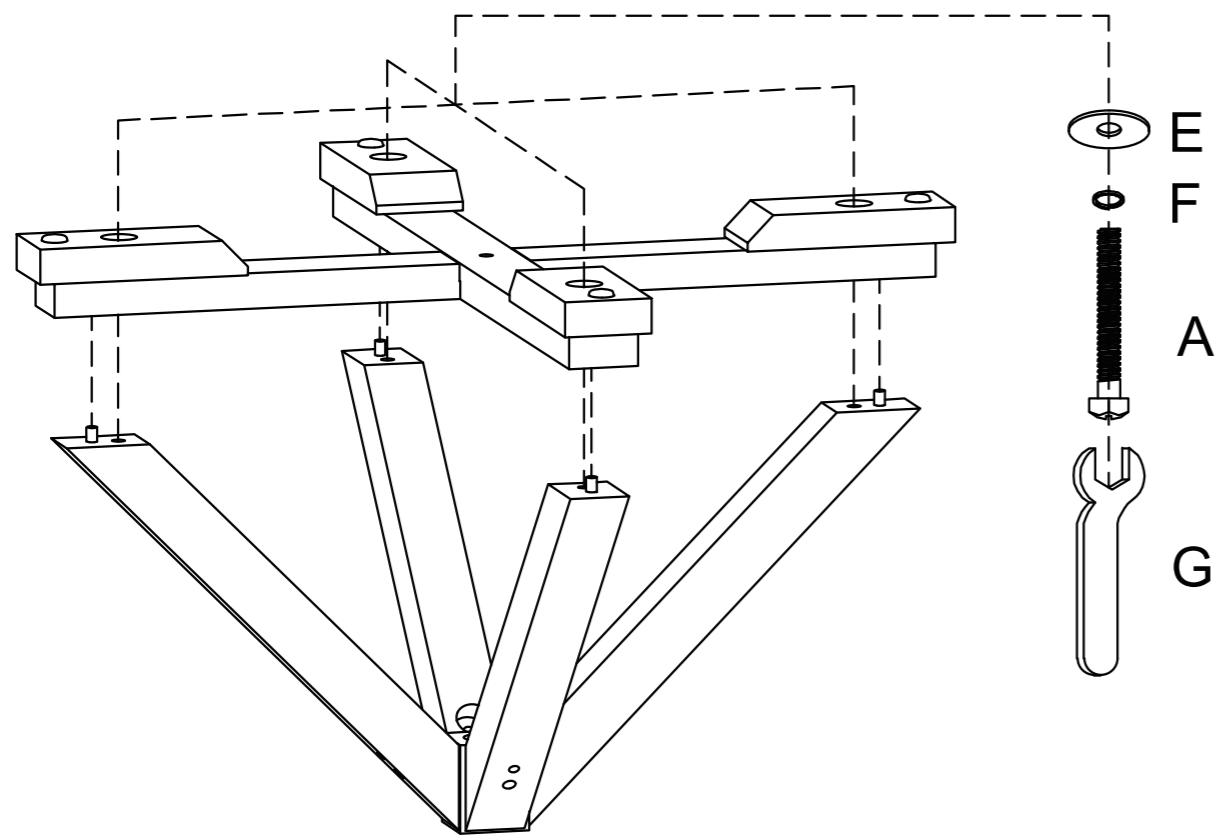
Step 5



Step 2



Step 3



Step 4

