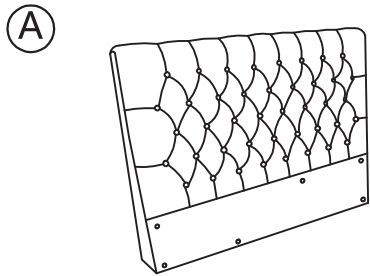


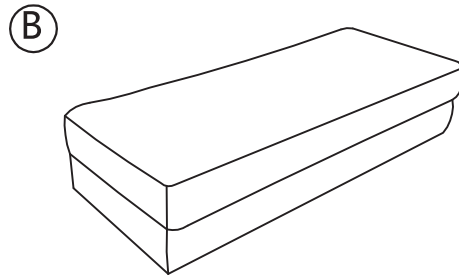
ASSEMBLY INSTRUCTIONS

Parts and Hardware

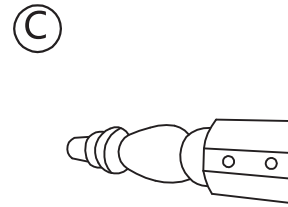
Please check to make sure you have all parts and hardware before starting assembly process
(Attention: The Legs & Hardware can be found in the bottom of seat.)



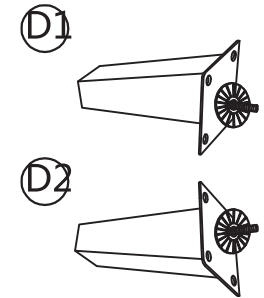
Back 1pc



Seat 1pc

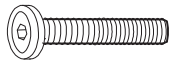


Front Legs 2pcs



Back Legs 2pcs

①



Bolts 6pcs

②



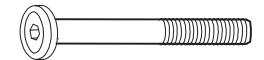
Flat Washer 10pcs

③



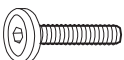
Spring Washer 10pcs

④



Bolts 4pcs

⑥



Bolts 6pcs

⑤



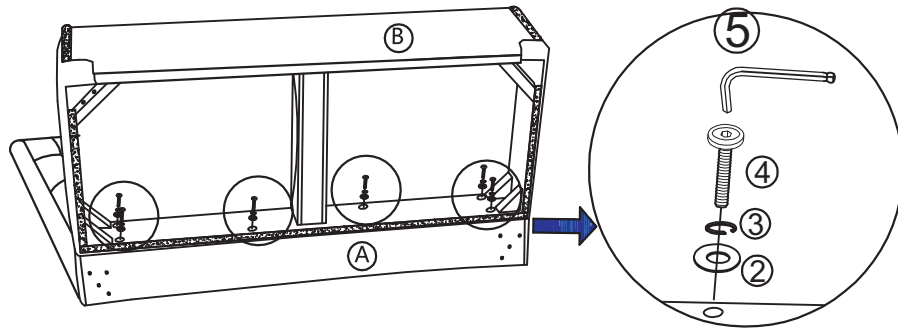
Wrench 1pc

ASSEMBLY INSTRUCTIONS

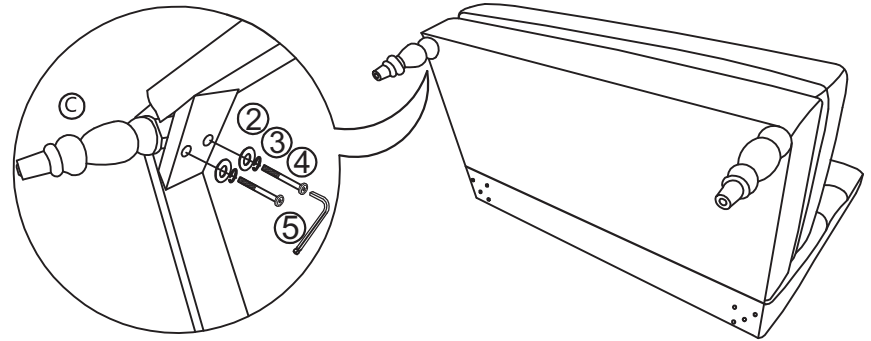
Parts and Hardware

Please check to make sure you have all parts and hardware before starting assembly process
(Attention: The Legs & Hardware can be found in the bottom of seat.)

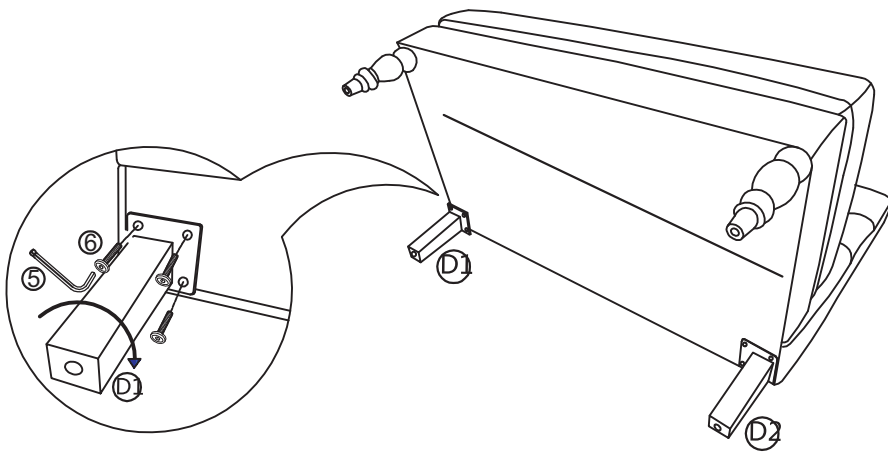
Step 1:



Step 2:



Step 3:



Step 4:

