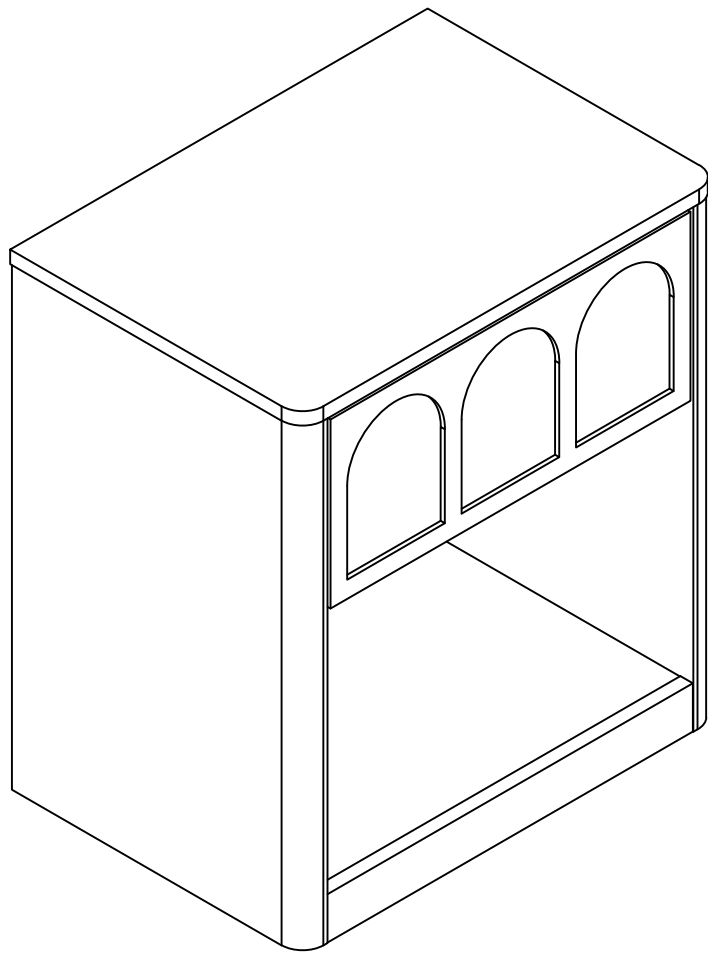


# Installation Instruction

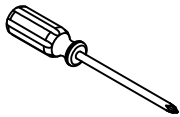


# Assembling

---

## What you need

- Use the packaging carton as a working surface to prevent product damage during assembly
- Phillips head screwdriver



## Weight Limitation

 **100** | **35**  
lbs table top      lbs per

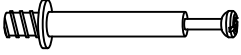
# What' included

---

Code Description	Qty
A Cam Bolt M6X35MM	19
B Cam Lock 15X10MM	19
C Wooden Dowel M8X30MM	10
D Screw M4X40MM	6
E Door Rebound Device Holder	1
F MATS	4
G Metal connector	2
H Screw M3.0X14MM	16
I Door Rebound Device	1
J Ilastic Angle code	4
K Anchor	2
L Circular hole Decals	19
CL Left mother extended orbit	1
CR Right mother extended orbit	1
DL Left public extension track	1
DR Right public extends track	1

# The Hardwares

(A)



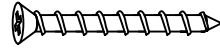
(B)



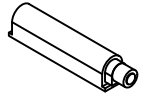
(C)



(D)



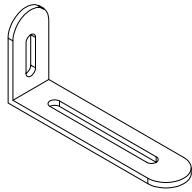
(E)



(F)



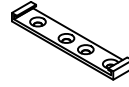
(G)



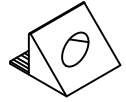
(H)



(I)



(J)



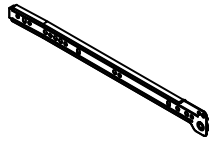
(K)



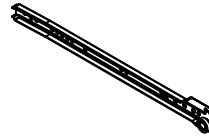
(L)



(CL)



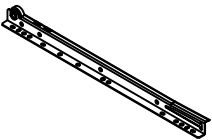
(CR)



(DL)



(DR)



## IMPORTANT:

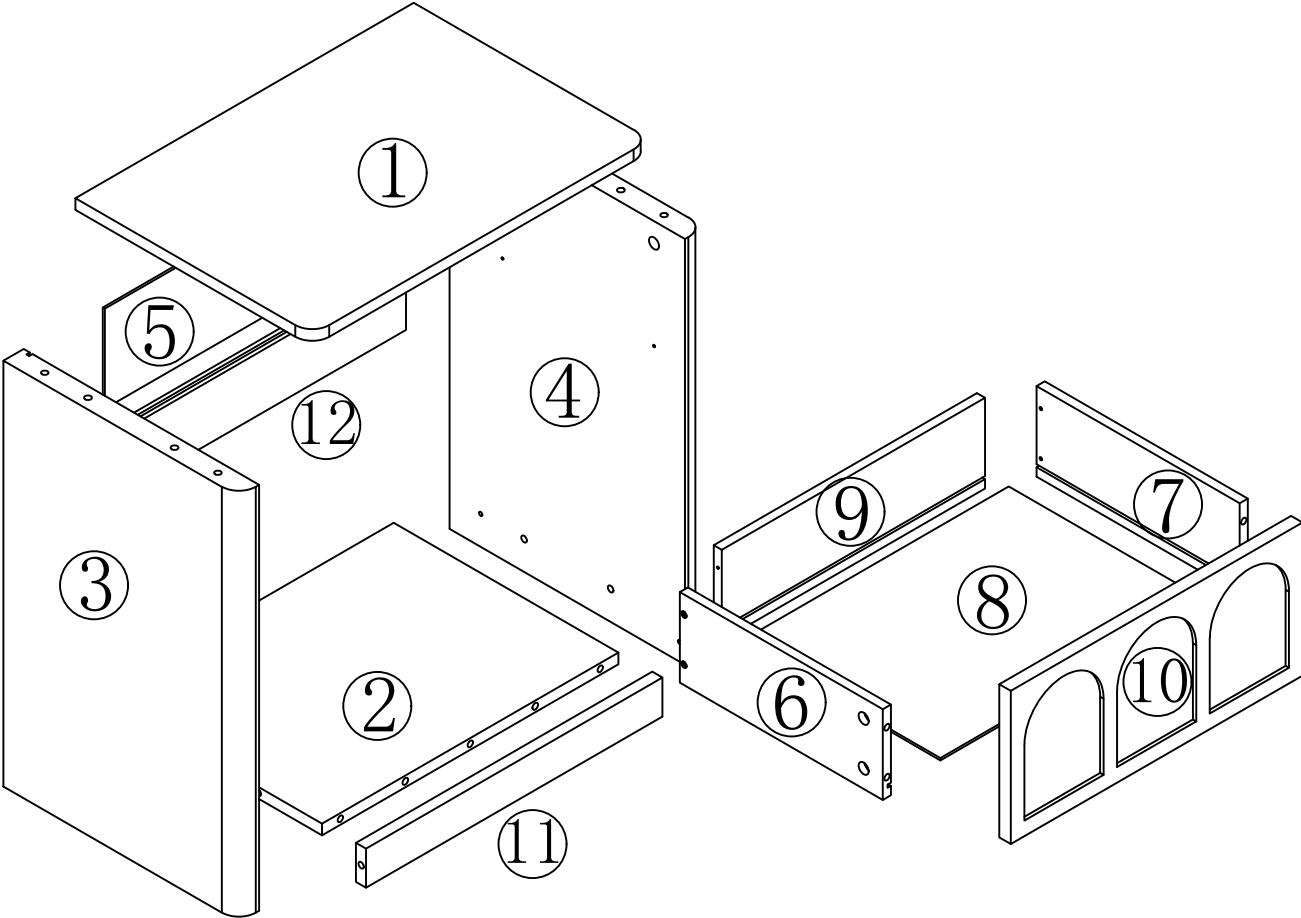
1. Do not tighten bolts / screws completely until all bolts / screws are lined up and inserted into holes.
2. Do not over tighten screws and bolts to avoid stripping
3. Please use hand tools to assemble this product, you can also use power tools (please use power tools carefully)

# Included Accessories

---

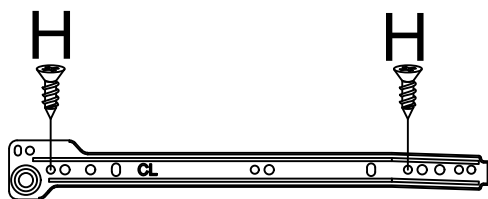
Code	Description	Qty
1	Cabinet Top	1
2	Bottom Panel	1
3	Left Side Panel	1
4	Right Side Panel	1
5	Upper back plate	1
6	Drawer left panel	1
7	Drawer right side panel	1
8	The drawer bottom	1
9	After the drawer board	1
10	The drawer face	1
11	Bottom plate front trim	1
12	Back reinforcement plate	1

# The Accessoriess

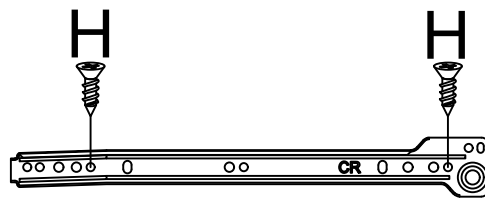


# Step 1

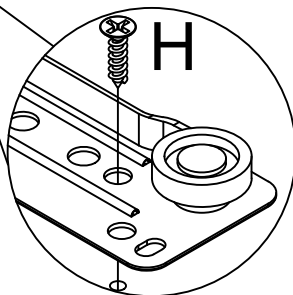
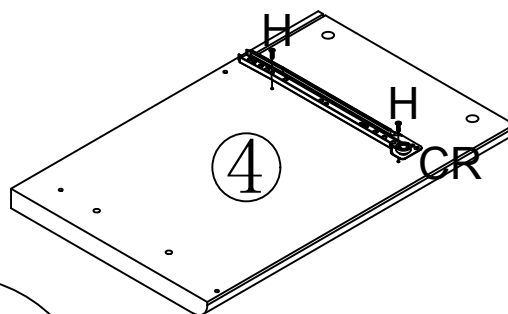
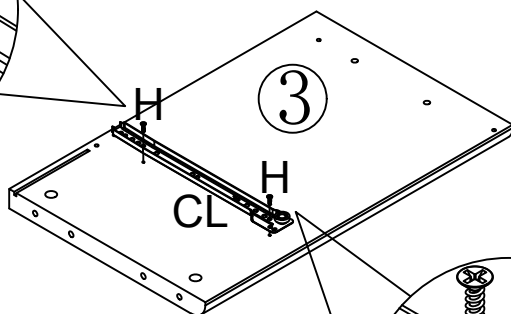
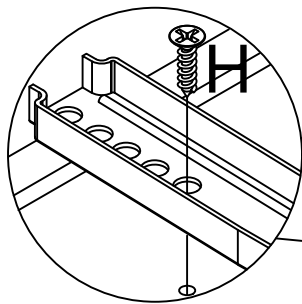
CL	×1	CR	×1	H	×4



CL

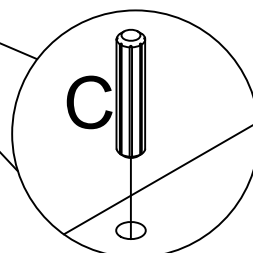
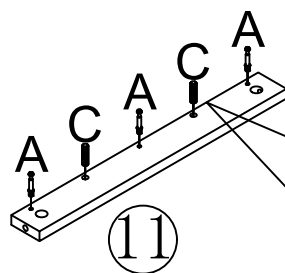
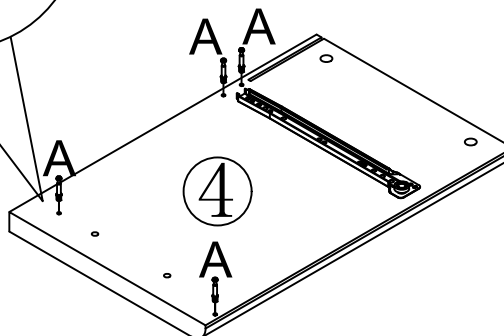
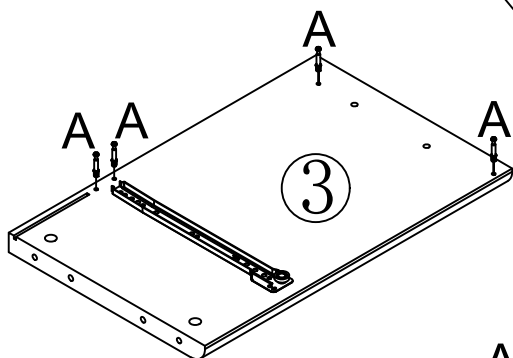
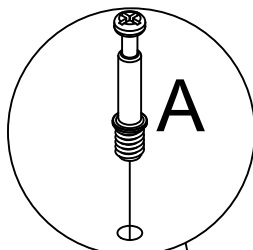


CR

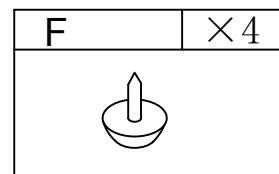
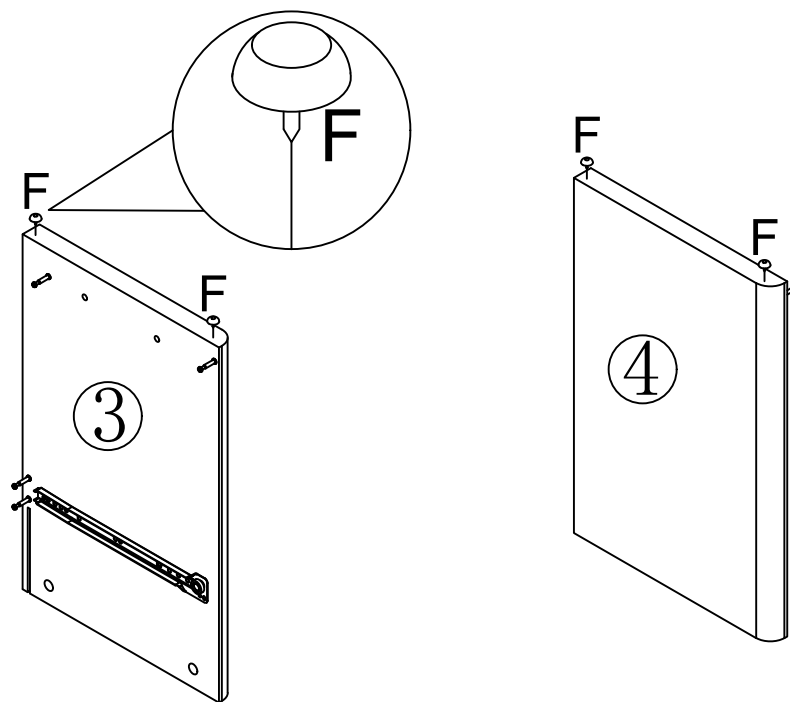


# Step 2

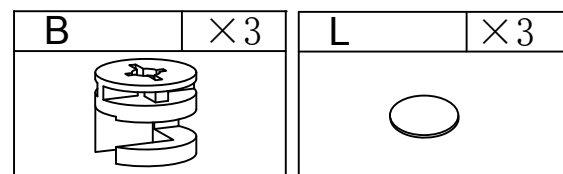
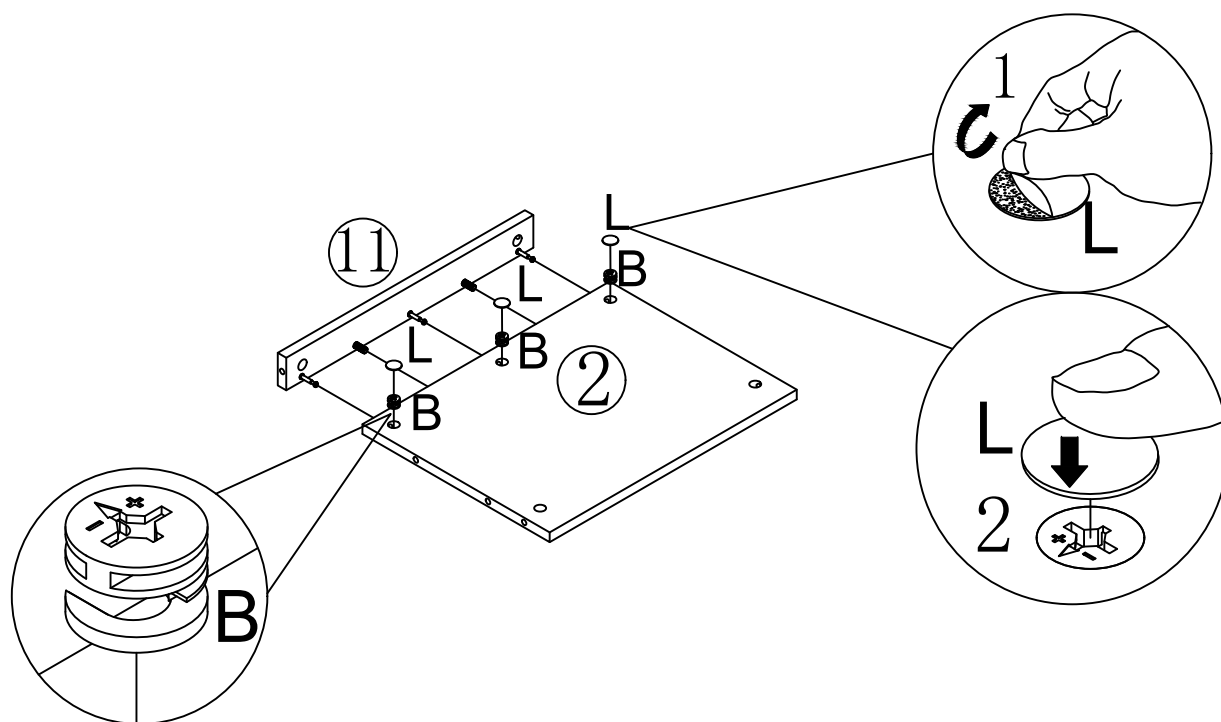
A	×11	C	×2




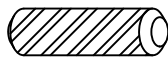

# Step 3

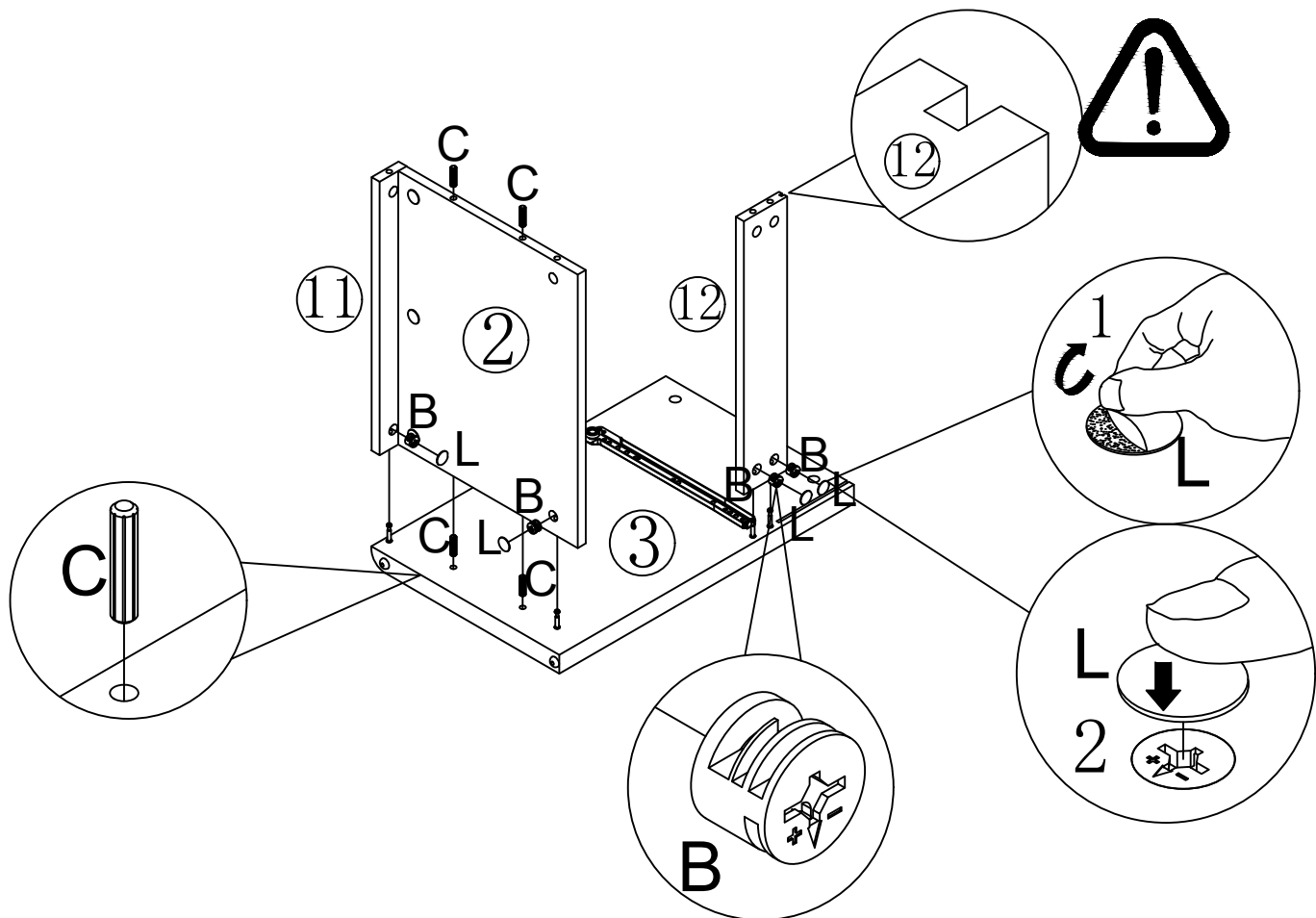


# Step 4

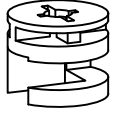



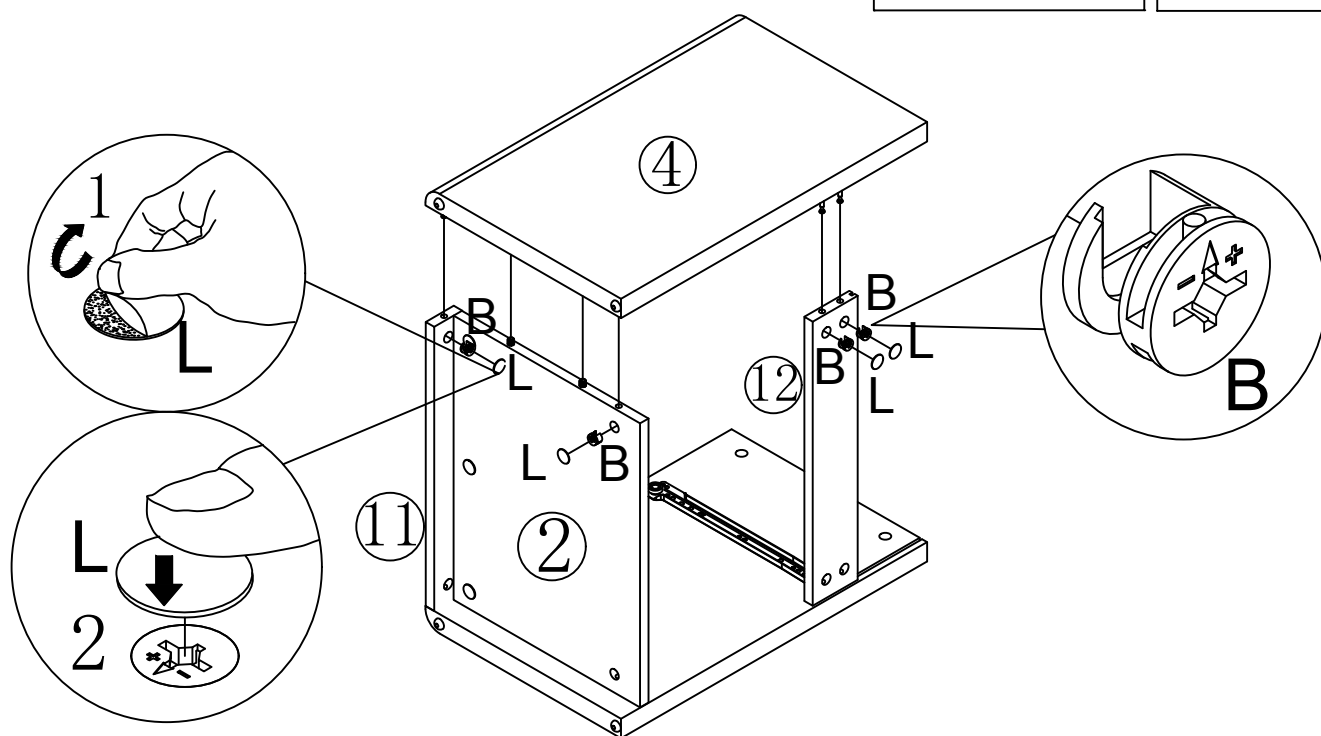
# Step 5

B	×4	C	×4	L	×4
					

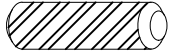


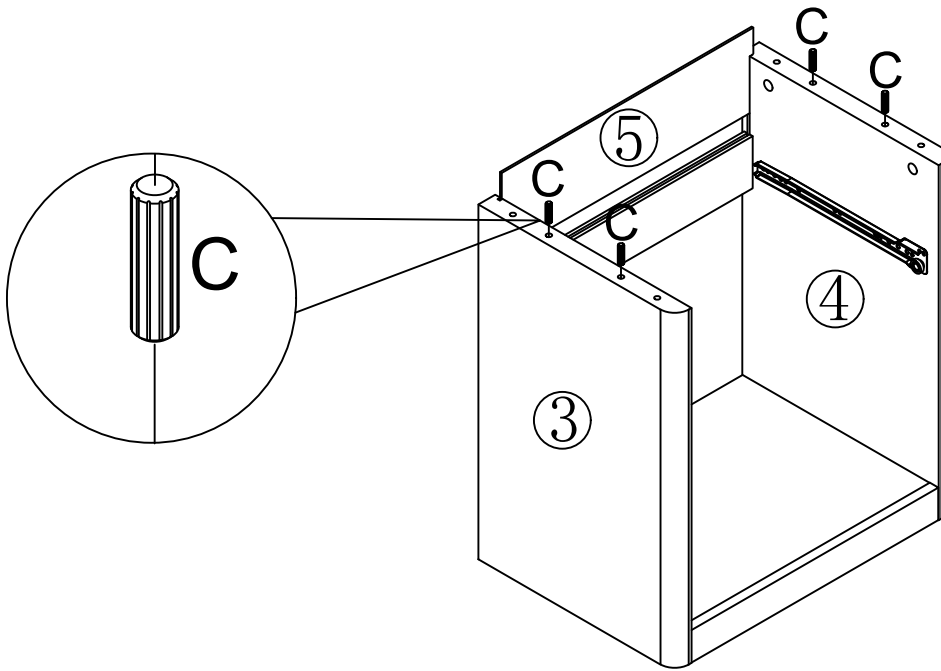
# Step 6

B	×4	L	×4
			

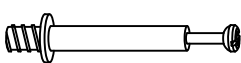
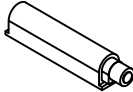

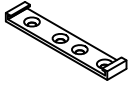


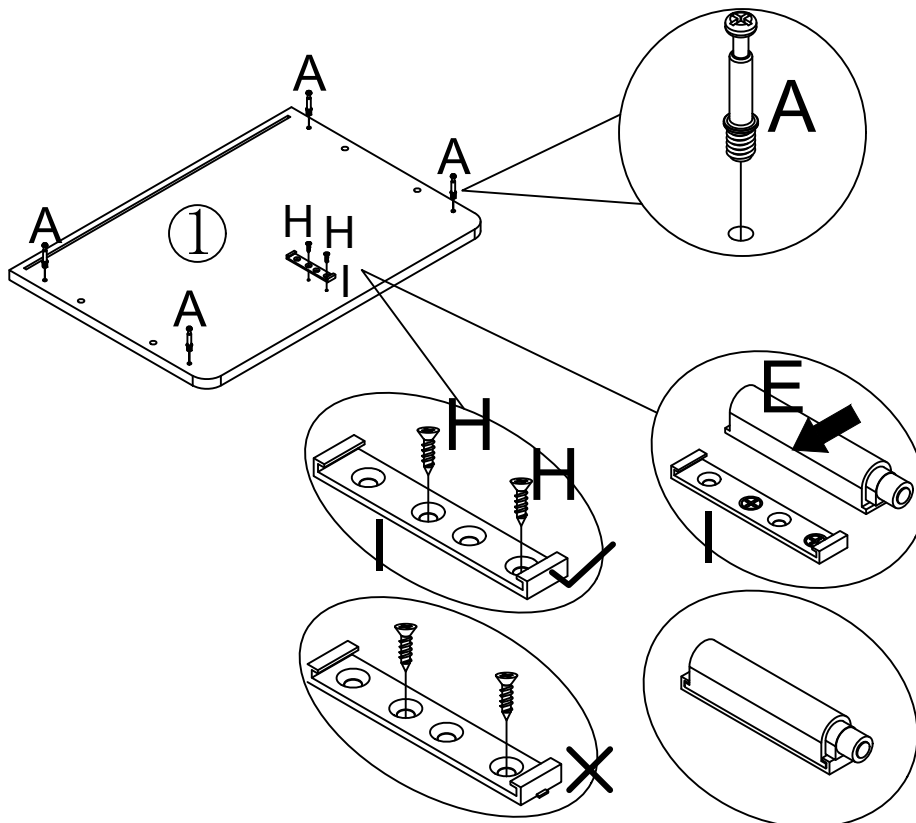
# Step 7

C	×4
	





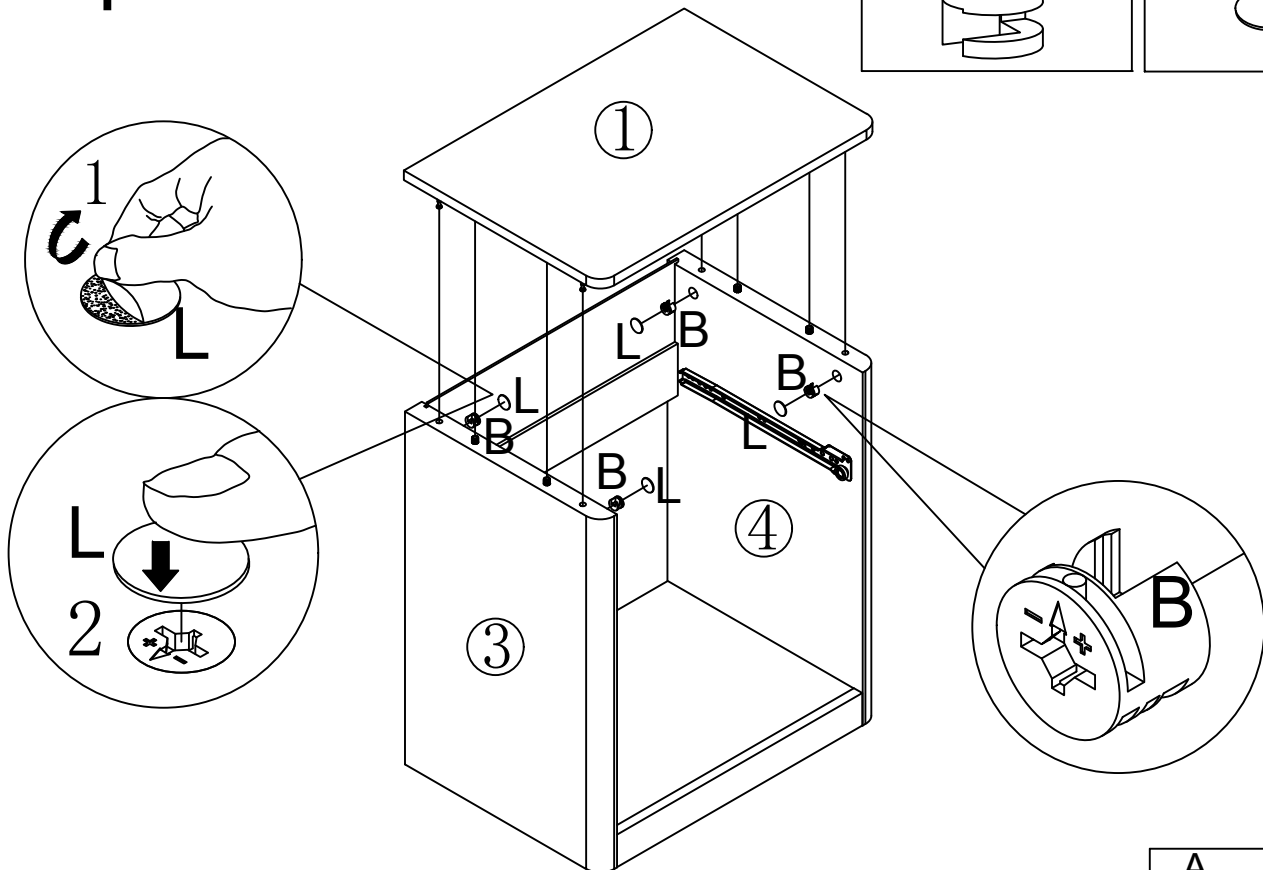
# Step 8

A	×4	E	×1	H	×2	I	×1
							

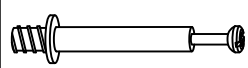


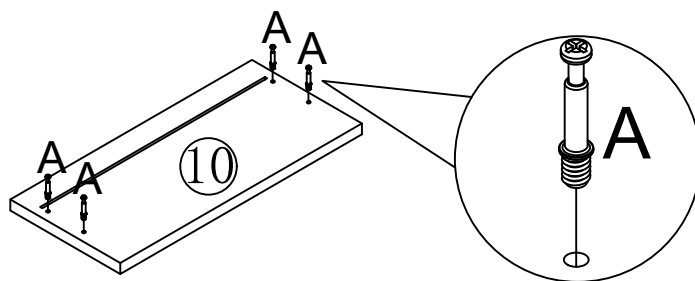
# Step 9

B	×4	L	×4
			





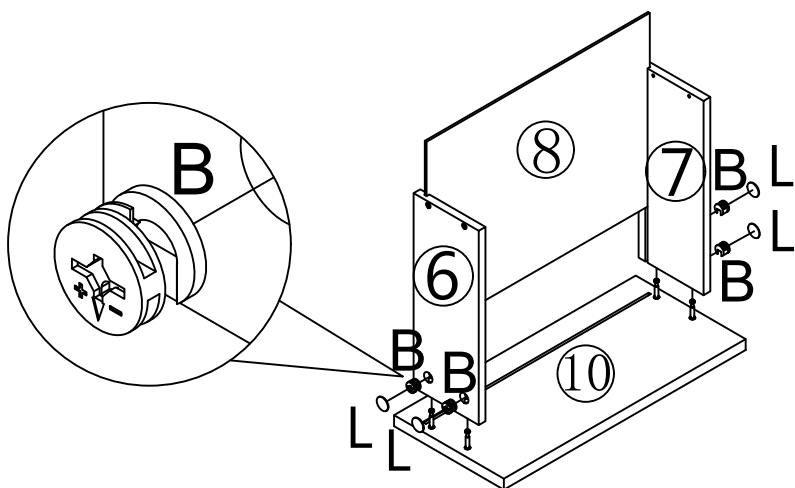
# Step 10

A	×4
	

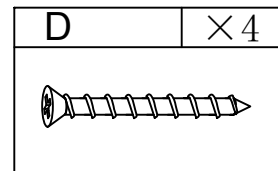
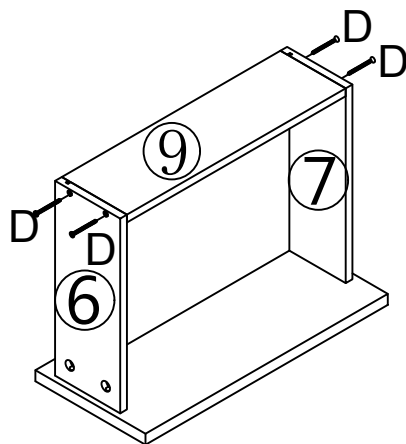


# Step 11

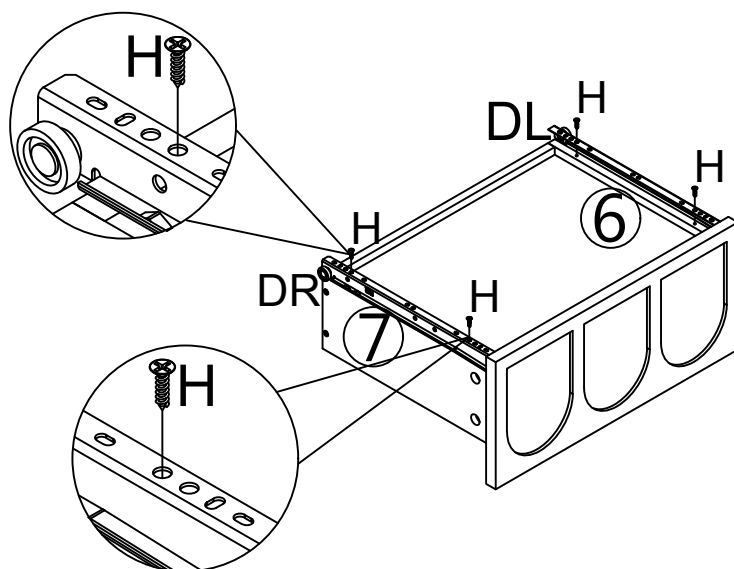
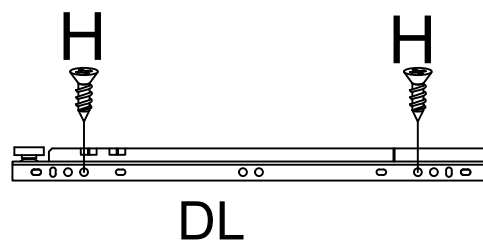
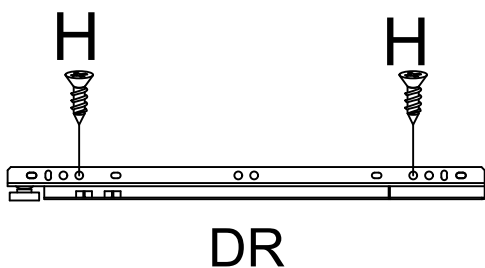
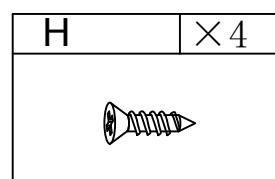
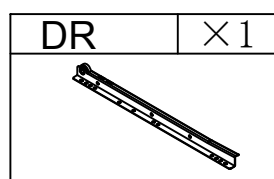
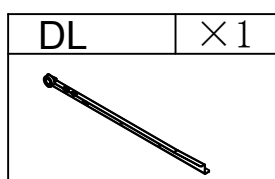
B	×4	L	×4
			



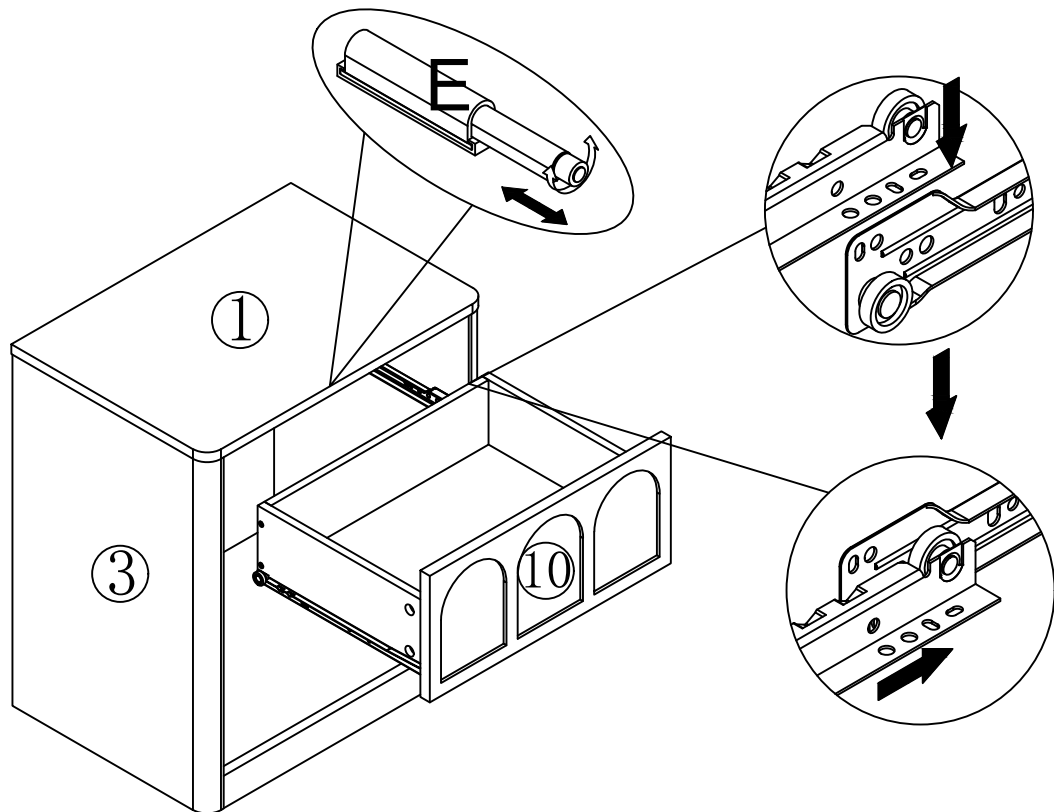
# Step 12



# Step 13


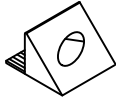


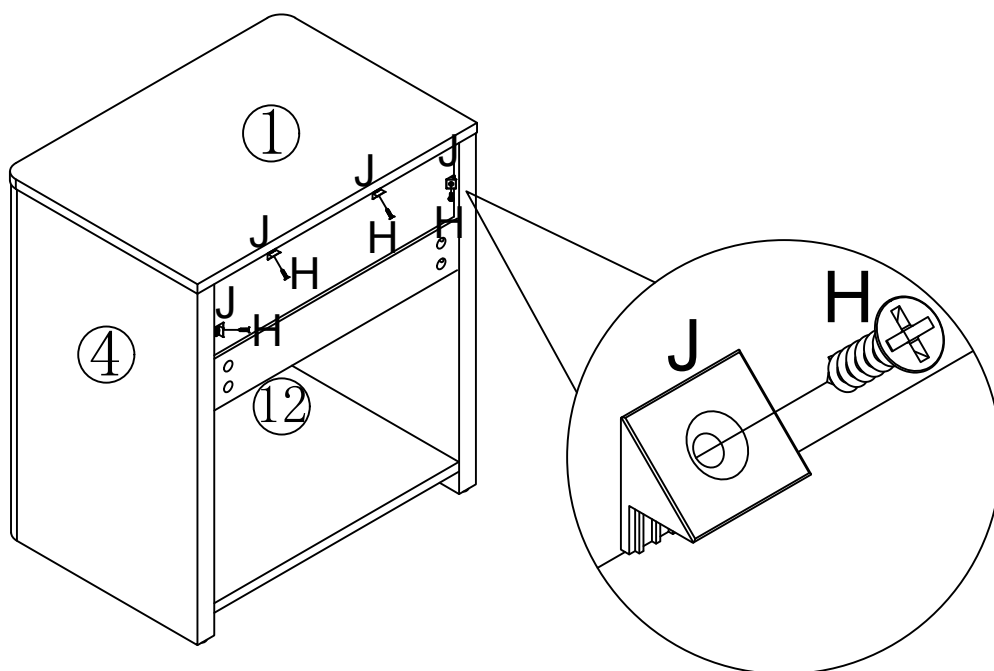
# Step 14



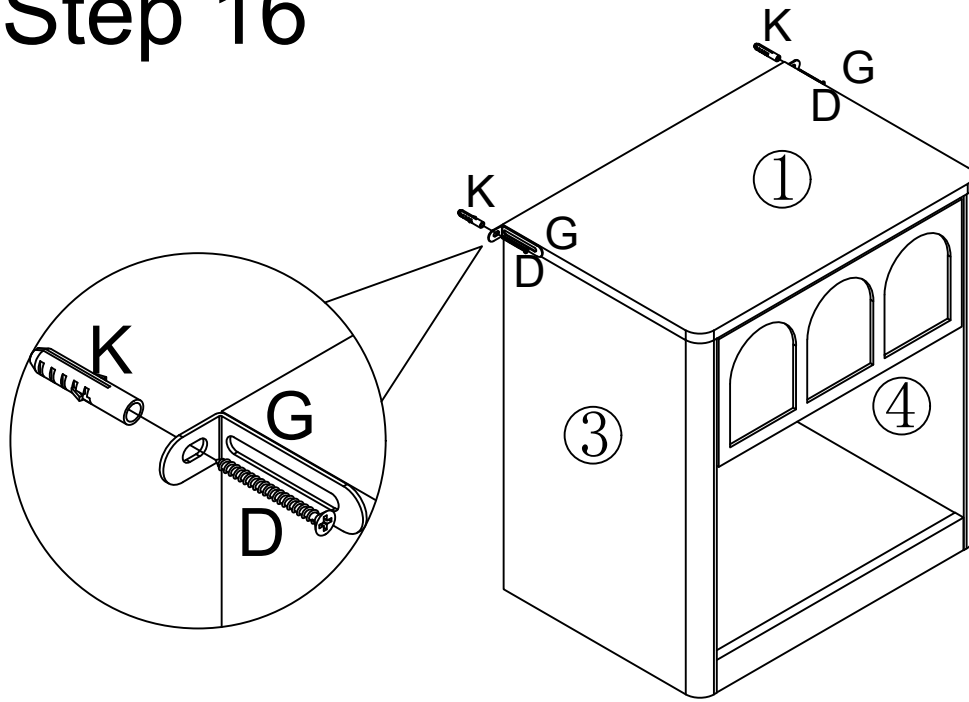
If the drawer does not pop out after pressing it, please adjust the rebound device according to the drawing

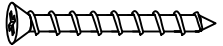
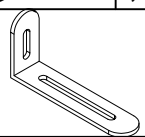

# Step 15

H	×4	J	×4
			

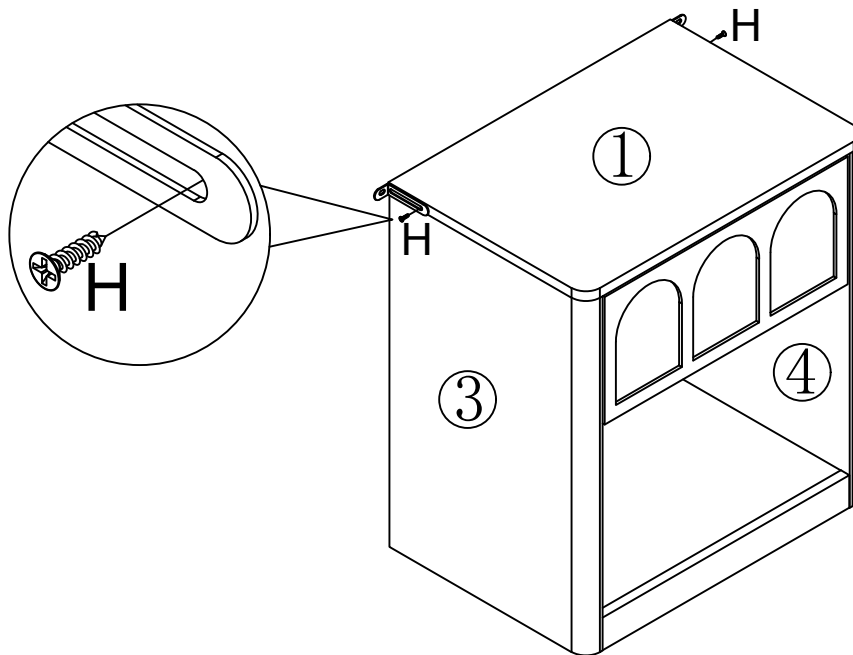


# Step 16



D	×2
	
G	×2
	
K	×2
	

# Step 17



H	×2
