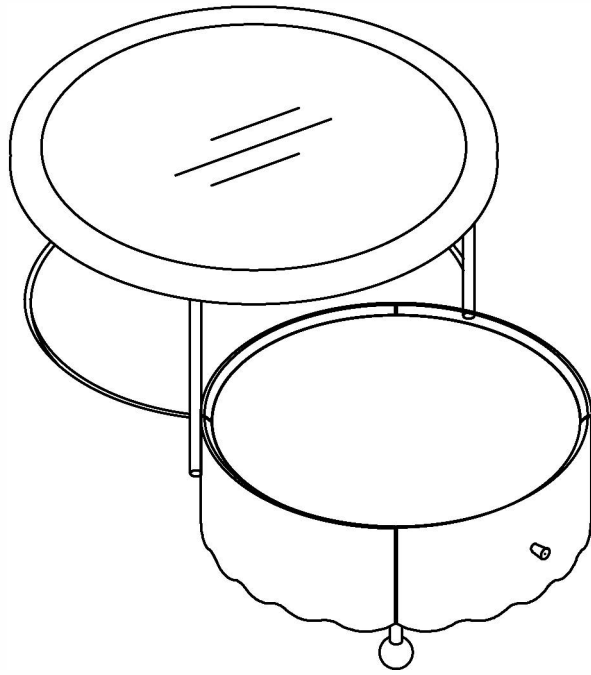







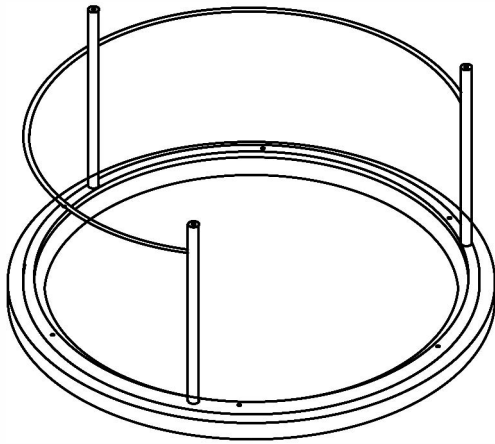
ASSEMBLY INSTRUCTION

PRODUCT PARTS ILLUSTRATION/QUANTITY

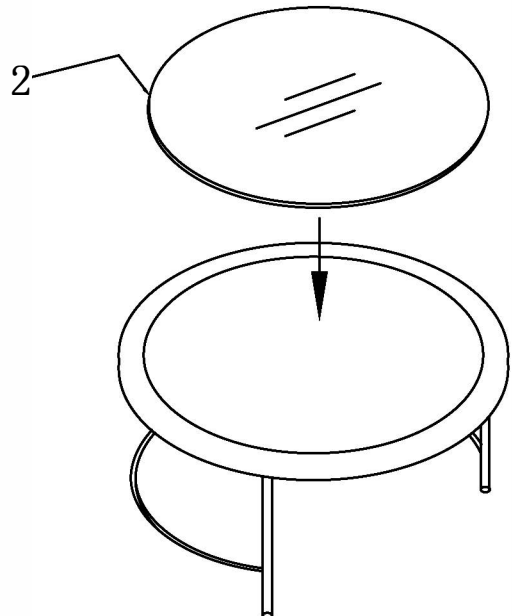
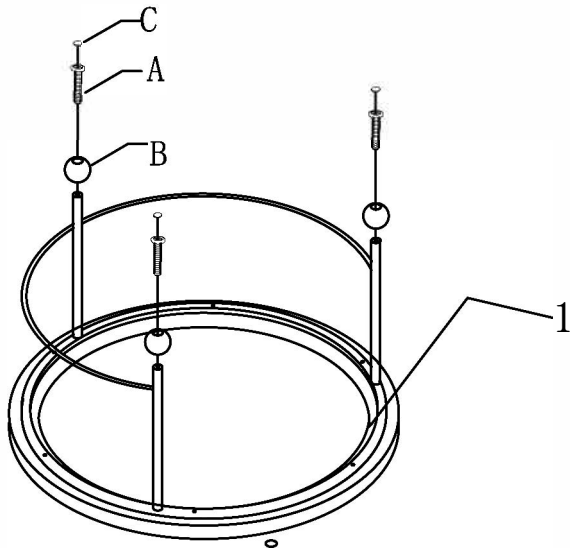
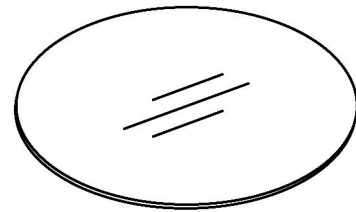


NO.	Parts	Quantity
A		$\Phi 8 \times 55 = 3$
B		3
C		3
D		6
E		1

① Cabinet x1



② Desktop glass x1



C	3	A	3	B	3
---	---	---	---	---	---

