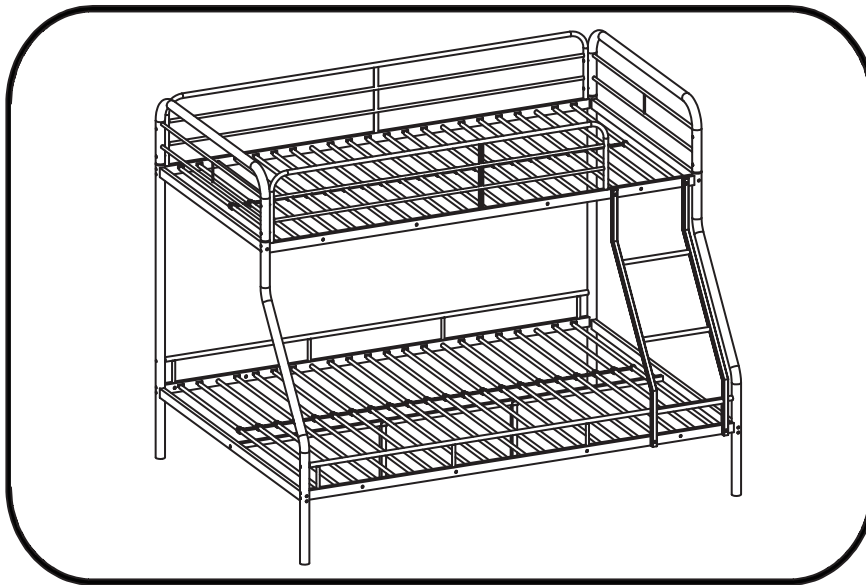


Metal Bunk Bed



Assembly Instructions

Product Dimensions:
78.70"L×55.90"D×61.40"H

Please take a moment to read through the entire instruction booklet before assembly to familiarize yourself with this product. Once you feel ready to start, follow the instructions step by step and this should make this process as easy as we could make it for you.

WARNING CAUTION

ADULT ASSEMBLY REQUIRED CHOKING HAZARD

- This product includes small parts, sharp points and sharp edges in its unassembled state. Keep unassembled parts away from children under 3 years of age, and animals.

SAFETY WARNINGS

- Follow the information on the warnings appearing on table and on the carton. Do not remove warning label from Bed.
- Do not allow children under 3 years of age to use the bed.
- Do not use substitute parts. Contact the manufacturer or dealer for replacement parts.

FURNITURE TIP-OVER HAZARD

Children have died from furniture tip-over

To reduce the risk of furniture tip-over:

- ALWAYS install tip-over restraint especially if used by a wall or in the open.
- NEVER put a TV on this product
- NEVER allow children to stand, climb or hang on drawers, doors, or shelves.
- NEVER open more than one drawer at a time.
- ALWAYS place heaviest items in lowest bed.

PARENTAL SUPERVISION IS REQUIRED

- Parents or Guardians should supervise use under the intended age specifically regarding children that may have access to it and climb on the unit.
- Do not allow horseplay on, under, or behind the unit and prohibit jumping on the bed.
- If used improperly, your table may be pulled over or fall, creating risk of injury or damage. Children should not be permitted to climb or pull on the bed.

USE, MAINTENANCE & ASSEMBLY

- Periodically check and ensure that the components are in their proper position, free from damage, and that all connectors are tight.
- Use on level surfaces only. Assemble on a soft level surface to avoid damage to unit or floor.
- Do not use this item if any components are missing or damaged.
- Do not use substitute parts. Contact the manufacturer or dealer for replacement parts.
- Only clean using damp cloth and mild detergent, do not use bleach or abrasive cleaners.
- Check you have all components and tools listed on page 4
- Do not stand or put weight on this product during assembly, this could cause damage.
- Remove all hardware from the plastic bags and separate them into groups.
- Assemble the item as close to its final position (in the same room) as possible.
- Certain assembly steps may be easier with 2 people.
- Dispose of all packaging carefully and responsibly.
- We do not recommend power screwdrivers. Only use hand screwdrivers to prevent damage to unit.
- Keep these instructions for future reference.

Enfants morts suite au basculement d'un meuble.

Afin de limiter le risque de basculement de meuble:

- TOUJOURS utiliser les fixations anti-basculement.
- NE JAMAIS installer de TV sur ce produit.
- NE JAMAIS laisser d'enfants se tenir debout sur les tiroirs, portes ou etageres, y grimper ou s'y suspendre.
- NE JAMAIS ouvrir plus d'un tiroir a la fois.
- TOUJOURS placer les choses les plus lourdes dans les tiroirs du bas.

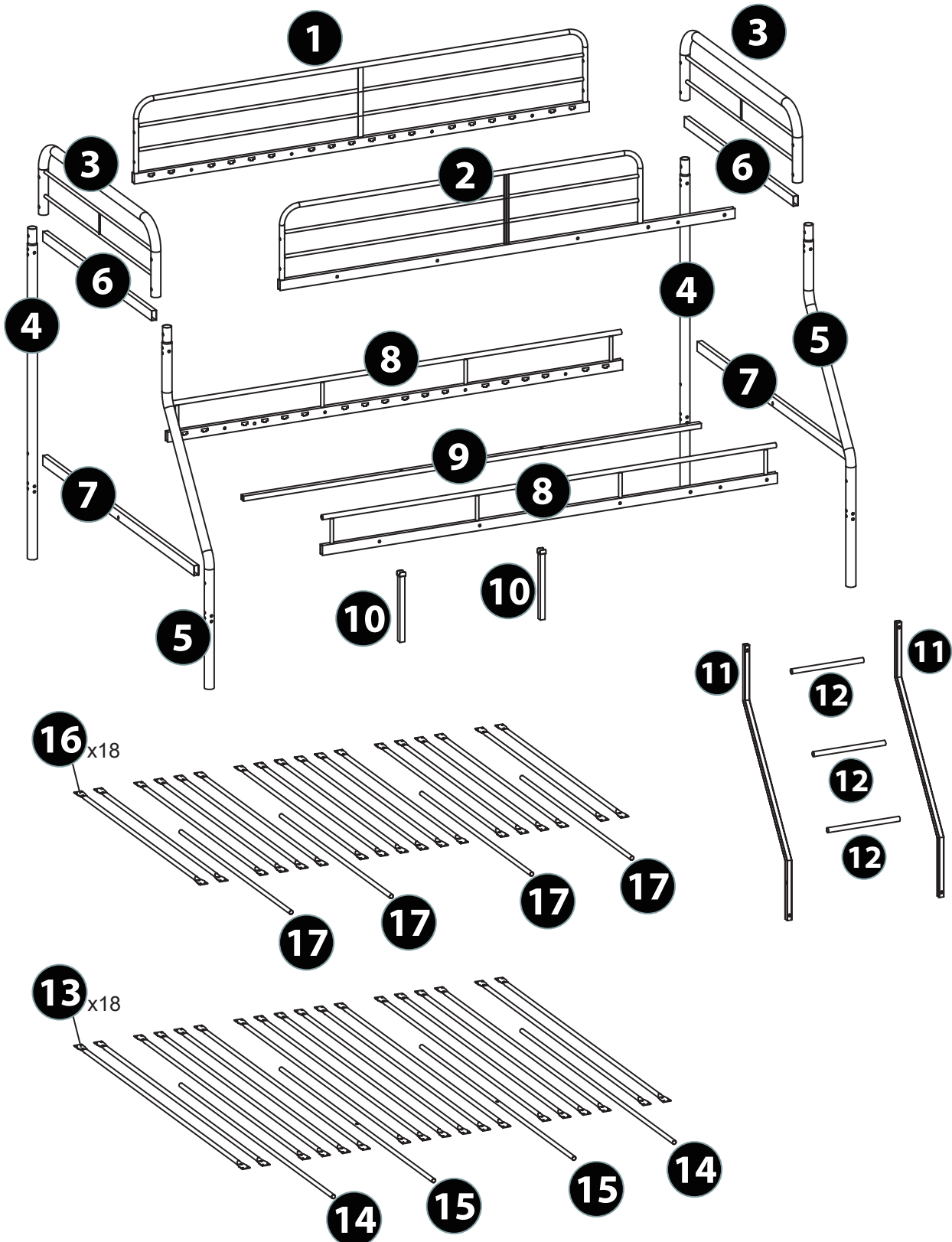
Han muerto ninos por el vuelco de muebles.

Para limitar el riesgo de vuelco de los muebles:

- Utilizar SIEMPRE las fijaciones antivuelco que suministran.
- NUNCA instalar un TV sobre este producto.
- NUNCA permitir que los ninos se pongan de pie, trepen o se cuelguen de los cajones, puertas o baldas.
- NUNCA abrir mas de un cajon a la vez.
- Colocar los objetos mas pesados en los cajones inferiores.

ASSEMBLY AT A GLANCE

Please take a moment to read through the whole instruction booklet before assembly to familiarize yourself with this product. Once you feel ready to start, follow the instructions step by step and this should make this process as easy as we could make it for you.

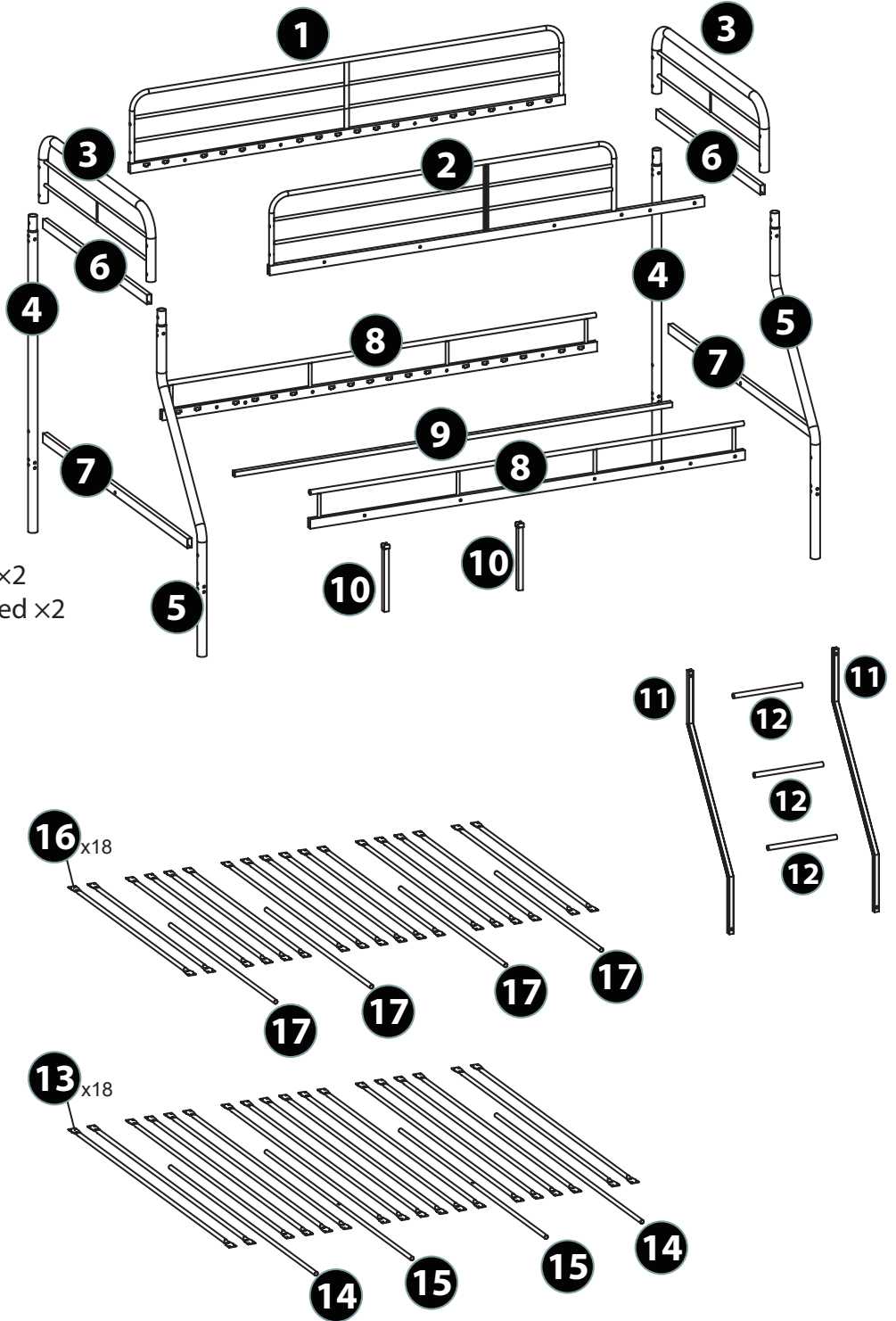


This drawing is to give you an overall idea only of how this assembly will go together and does not replace the assembly instructions.

COMPONENT PARTS

Please check that you have all the parts listed below

- 1. Left Bed Frame x1
- 2. Right Bed Frame x1
- 3. Bed Frame x2
- 4. Left Bed Stand x2
- 5. Right Bed Stand x2
- 6. Short Bed Support x2
- 7. Long Bed Support x2
- 8. Lower Bed Frame x2
- 9. Bed Support x1
- 10. Bottom Support of Bed x2
- 11. The Handle of Bed Stairs x2
- 12. Support of Bed Stairs x3
- 13. Support of Lower Bed x18
- 14. The Main Support of Lower Bed x2
- 15. Middle Main Support of Lower Bed x2
- 16. Support of Up Bed x18
- 17. The Main Support of Up Bed x2



COMPONENT PARTS

Please check that you have all the parts listed below

ASSEMBLY HARDWARE



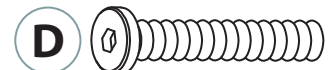
M6*30× 21pcs +2



M6*50× 8pcs +1



M8*40× 8pcs +1



M8*60× 32pcs +3



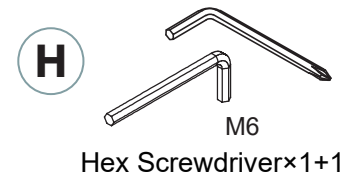
Bolt ×11pcs +1



40pcs +3



2pcs +1



M6
Hex Screwdriver×1+1



M8
Hex Screwdriver×1+1



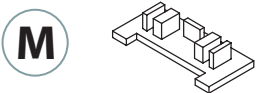
2pcs



2pcs



Screw ×2pcs



72pcs +5



42pcs +2

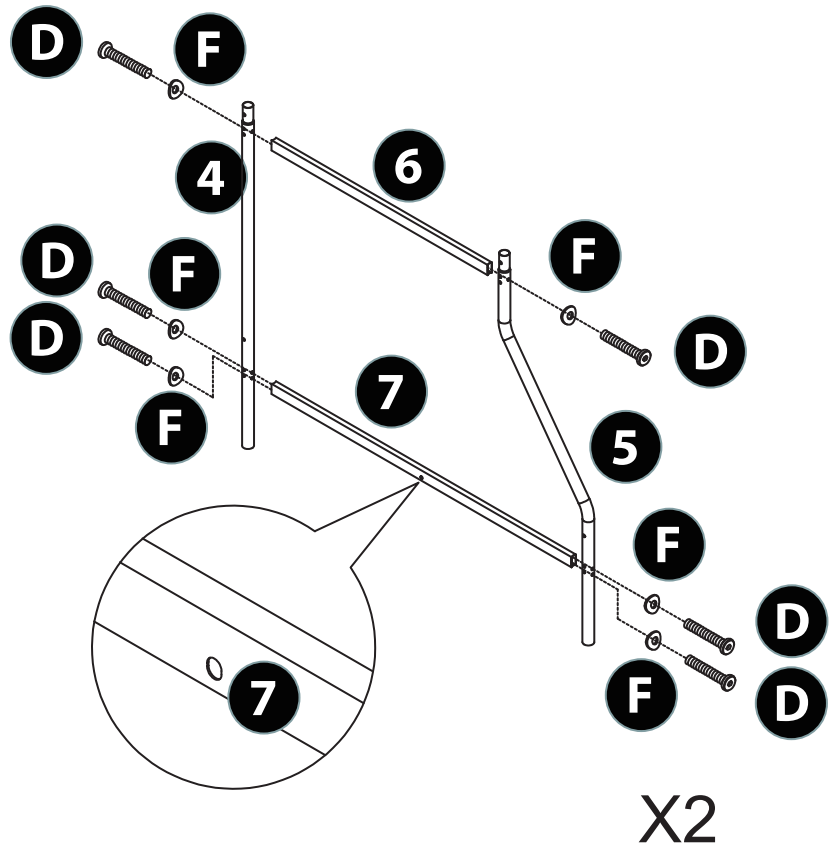


1pcs

ASSEMBLY INSTRUCTIONS

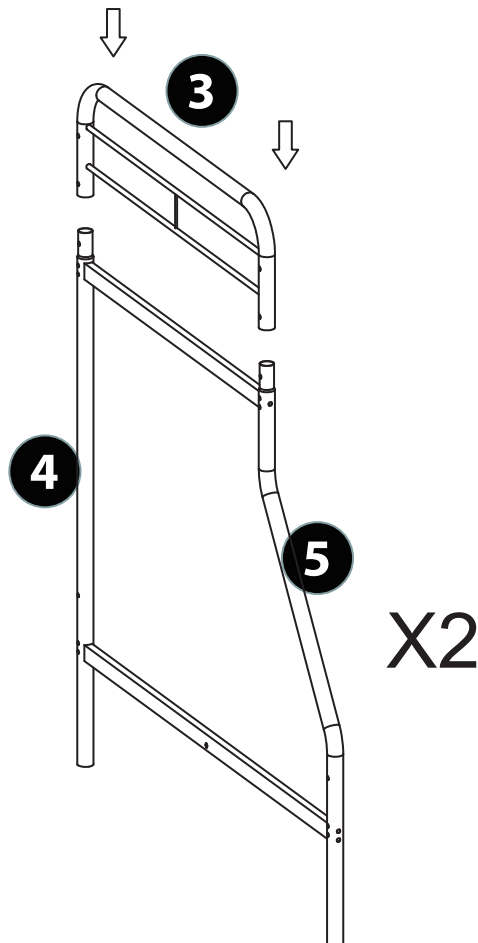
1

Select 4 (x2), 5 (x2), 6 (x2), 7 (x2), D (x12) and F (x12).
Insert 7 (x1) into 4 (x1) with D(x2) and F(x2).
Repeat for 7 and 5.
Insert 6 into 4 with D(x1) and F(x1).
Repeat for 6 and 5.
Repeat for another 4, 5, 6 and 7.



2

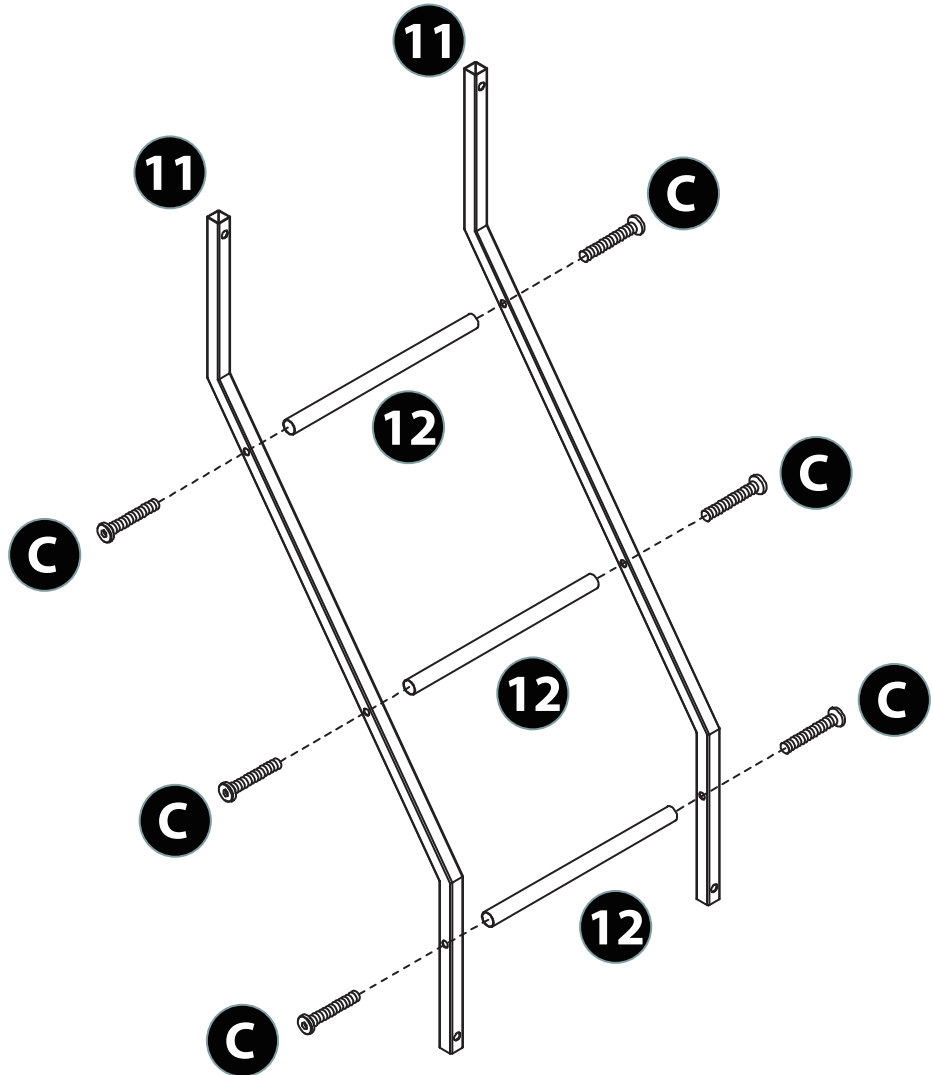
Select 3(x2).
Insert 3 into top of 4 and 5.
Repeat for another 3, 4 and 5.



ASSEMBLY INSTRUCTIONS

3

Select 11 (x2) ,12 (x3) and C(x6).
Insert 12 (x3) into the between of
11 (x2) with C (x6).



ASSEMBLY INSTRUCTIONS

4

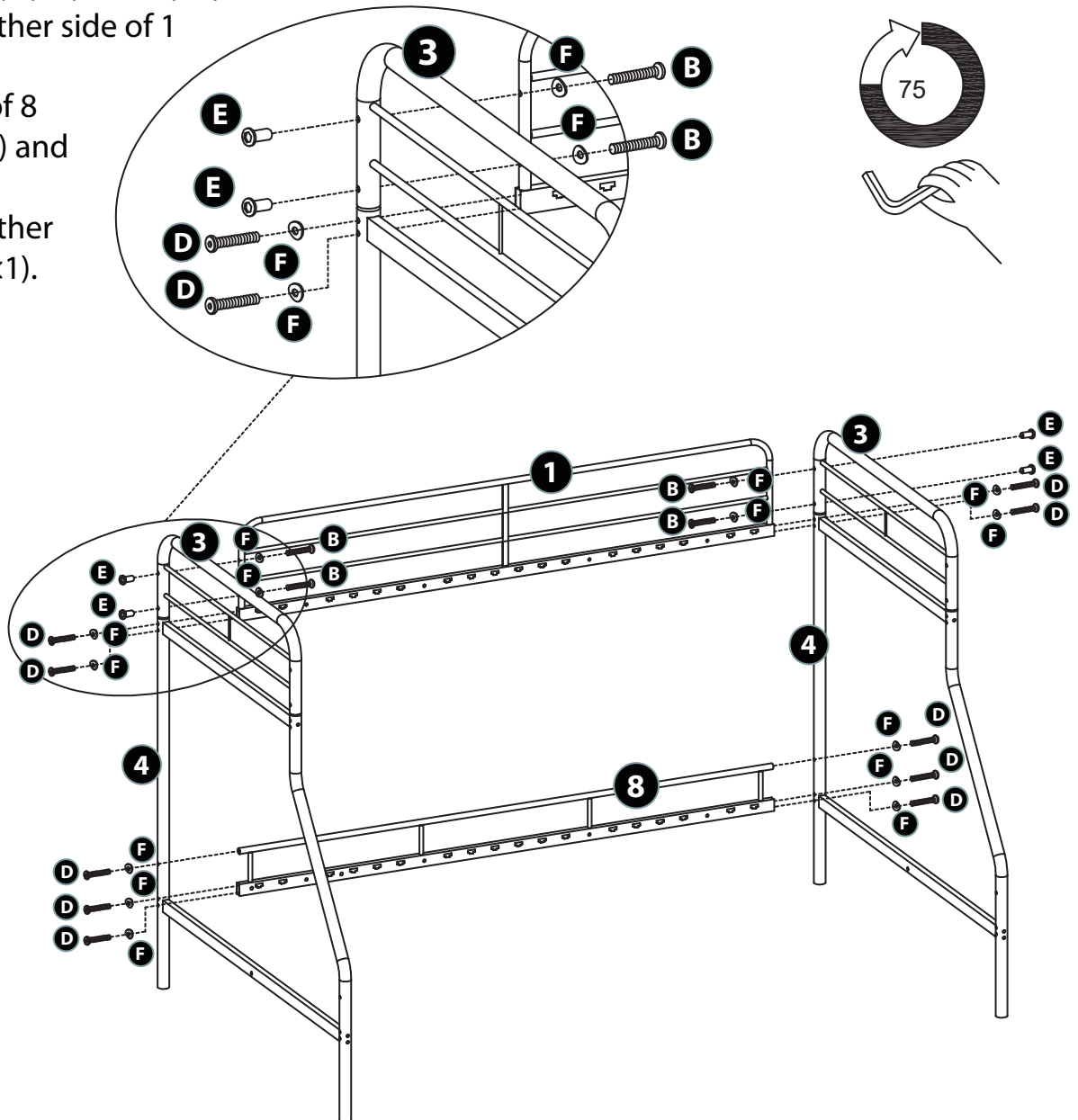
Select 8(x1), B(x4), D (x10), E (x4) and F (x14).

Insert one side of 1 into 3(x1) with B(x2),D(x2),E(x2) and F(x4).

Repeat for the other side of 1 and 3(x1).

Insert one side of 8 into 4 with D(x3) and F(x3).

Repeat for the other side of 8 and 4(x1).



ASSEMBLY INSTRUCTIONS

5

Select 8(x1), 9(x1), A (x1), B (x2), C(x2), D(x10), E(x3), F(x13) and G (x2).

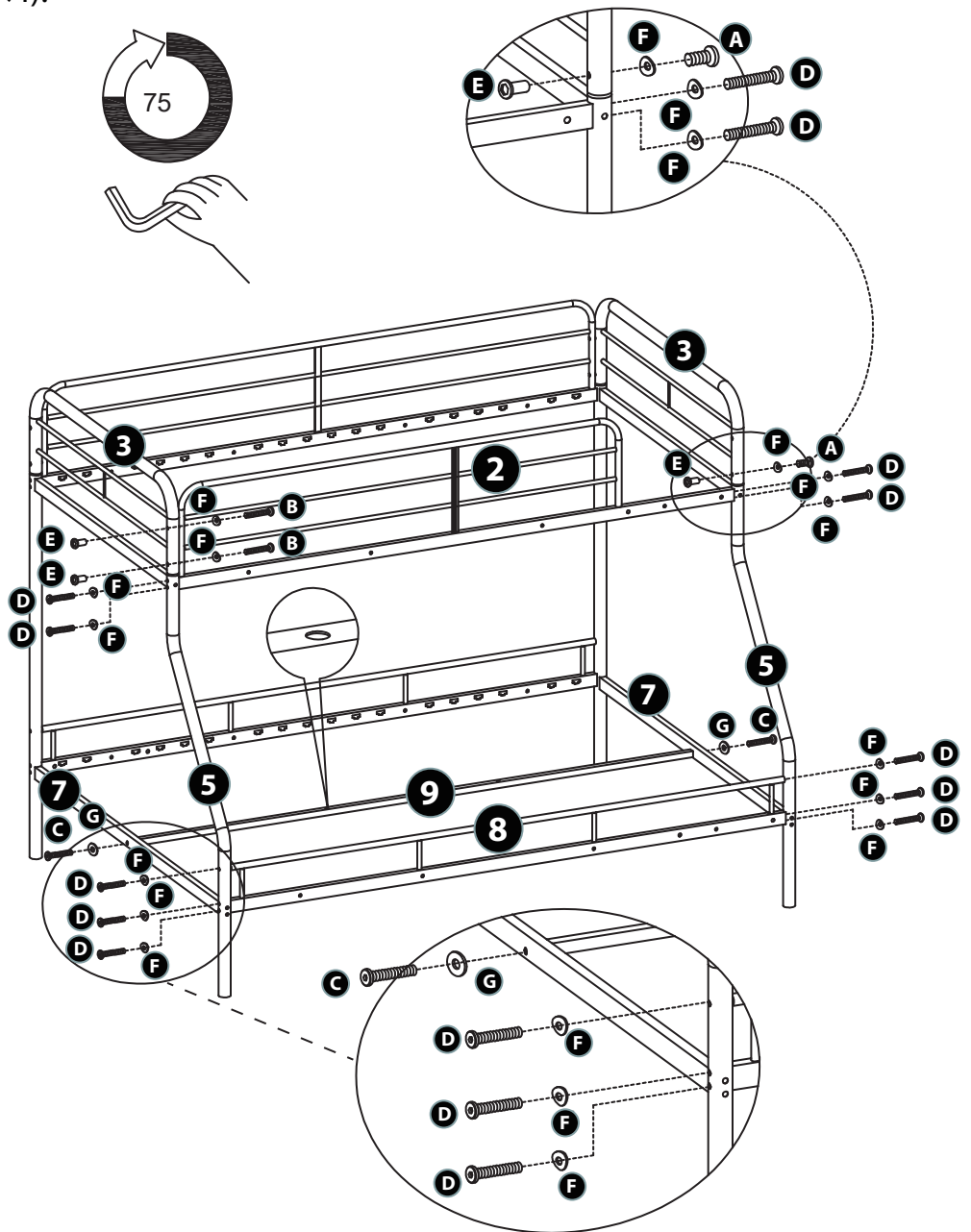
Insert one side of 2 into 3(x1) with B(x2), D(x2), E(x2) and F(x4).

Repeat for the other side of 1 and 3(x1) with A(x1), E(x1), D(x2) and F(x3).

Insert one side of 8 into 5 with D(x3) and F(x3).

Repeat for the other side of 8 and 4(x1).

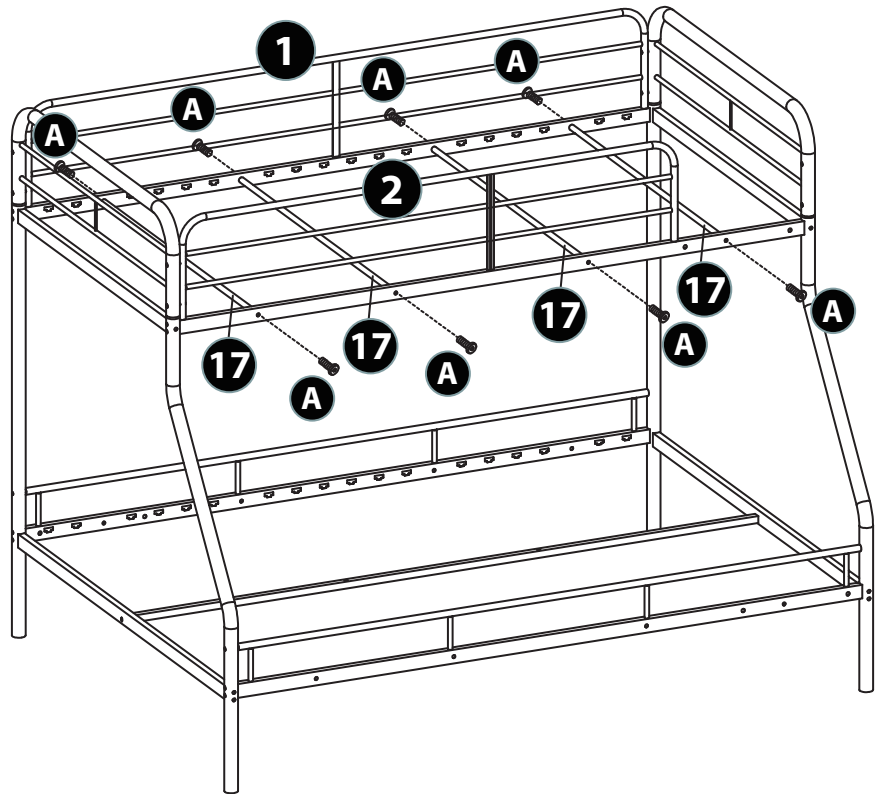
Insert 9 into 7(x2) with C(x2) and G(x2).



ASSEMBLY INSTRUCTIONS

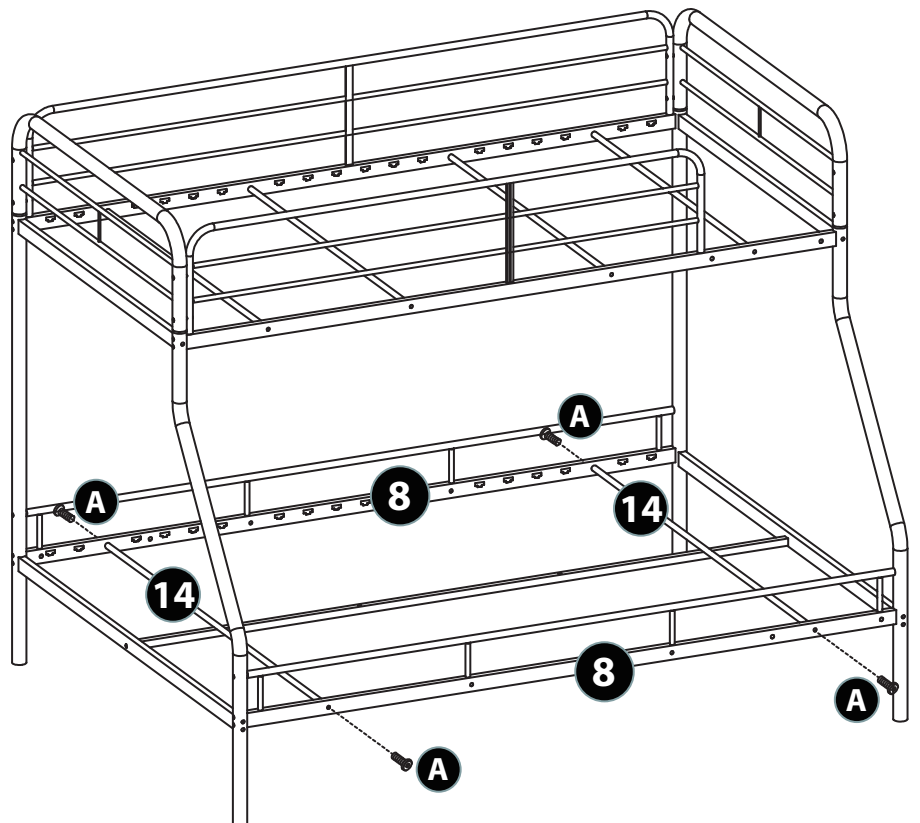
6

Select 17 (×4) and A (×8).
Insert 17 (×4) into the
between of 1 and 2 with A
(×8).



7

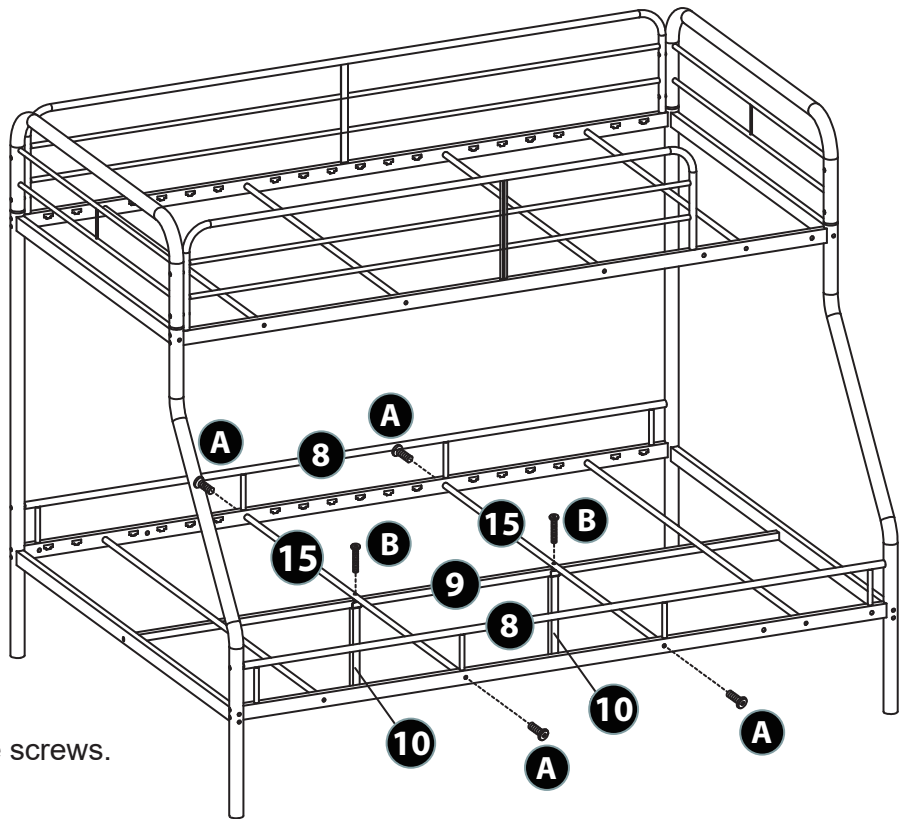
Select 14 (×2) and A (×4).
Insert 14 (×2) into the
between of 8(×2) with A (×4).



ASSEMBLY INSTRUCTIONS

8

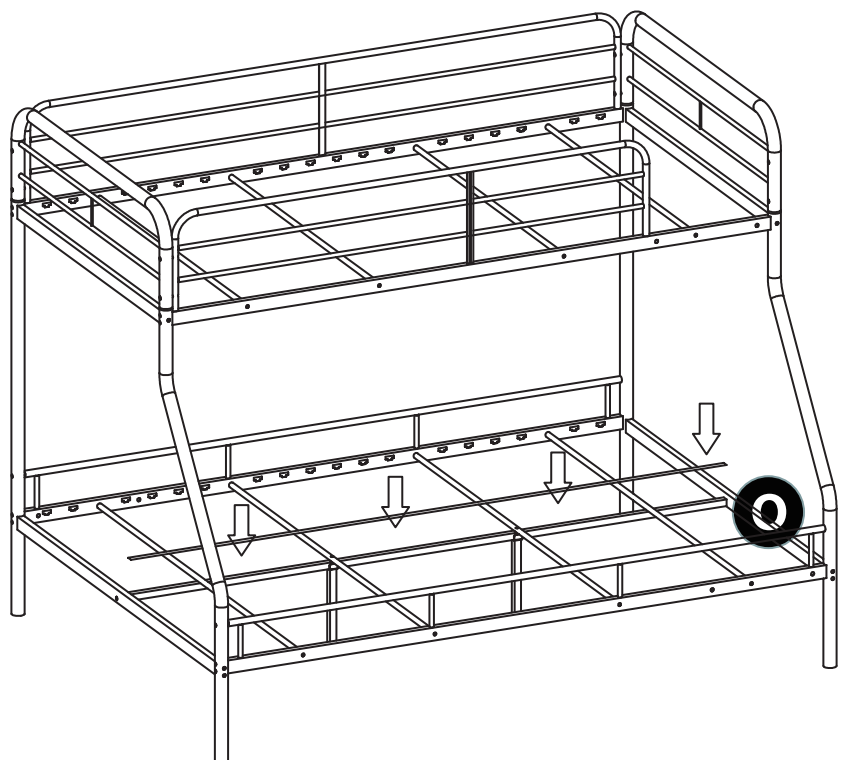
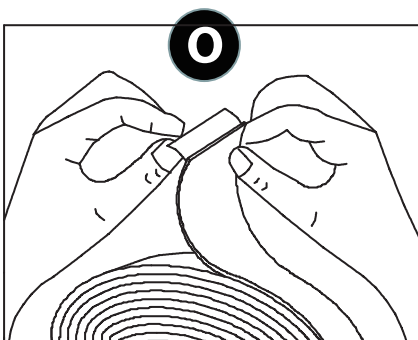
Select 10 (×2), 15 (×2), A (×4) and B (×2).
Insert 15 (×2) into the between of 8 (×2) with A (×4).
Insert 10 (×1) into 9 into 15 (×1) with B (×1).
Repeat for the other 10 and 15.



Please tighten all the screws.

9

Select O (×1).
Install O on the bed.



ASSEMBLY INSTRUCTIONS

10

Select 13 (×18), 16 (×18), M (×72) and N (×42).

Insert 16 (×1) into hole of 1 and 2 with M (×2).

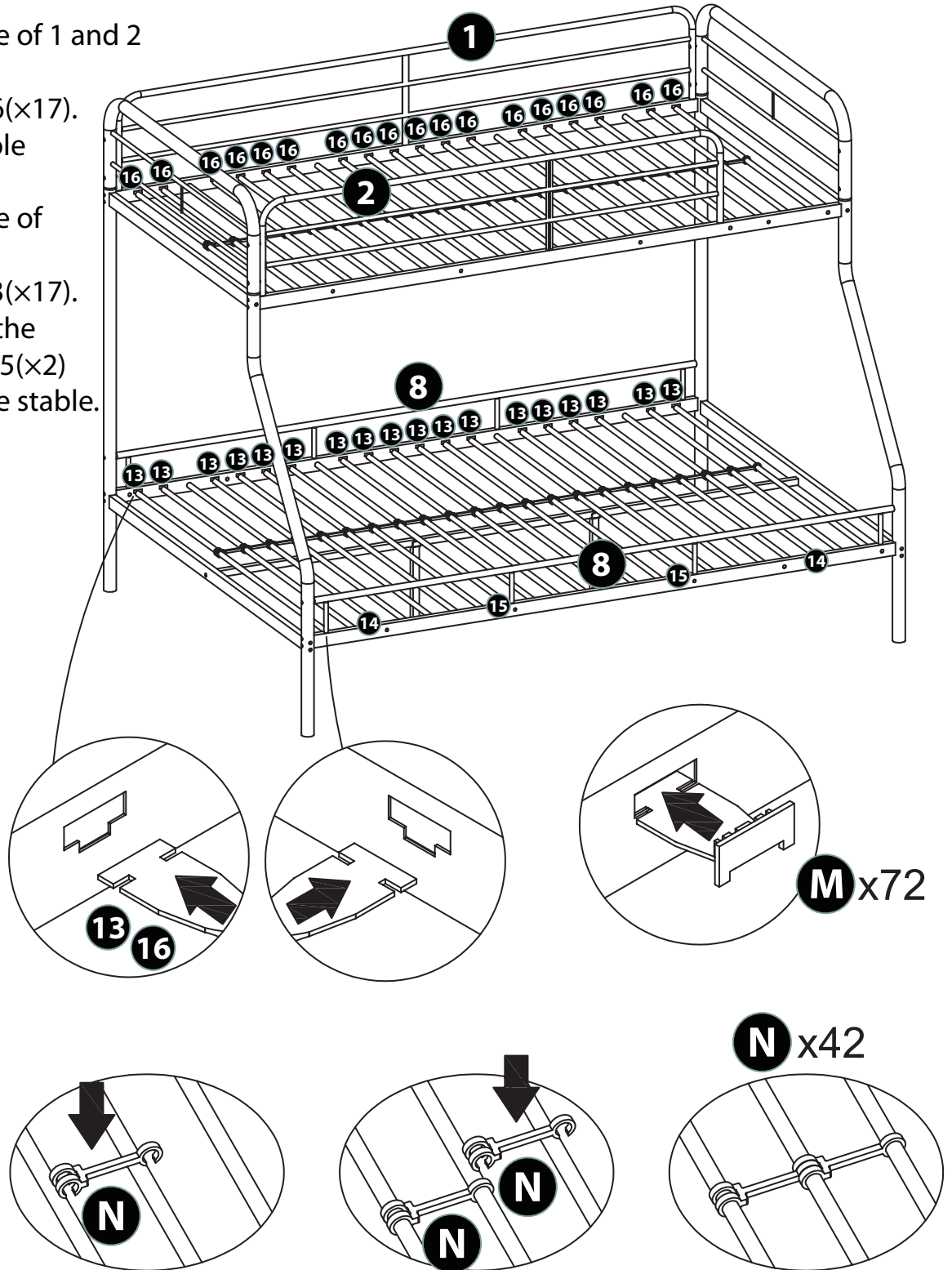
Repeat for another 16 (×17).

Insert 13 (×18) into hole of 8 (×2).

Insert 13 (×1) into hole of 8 (×2) with M (×2).

Repeat for another 13 (×17).

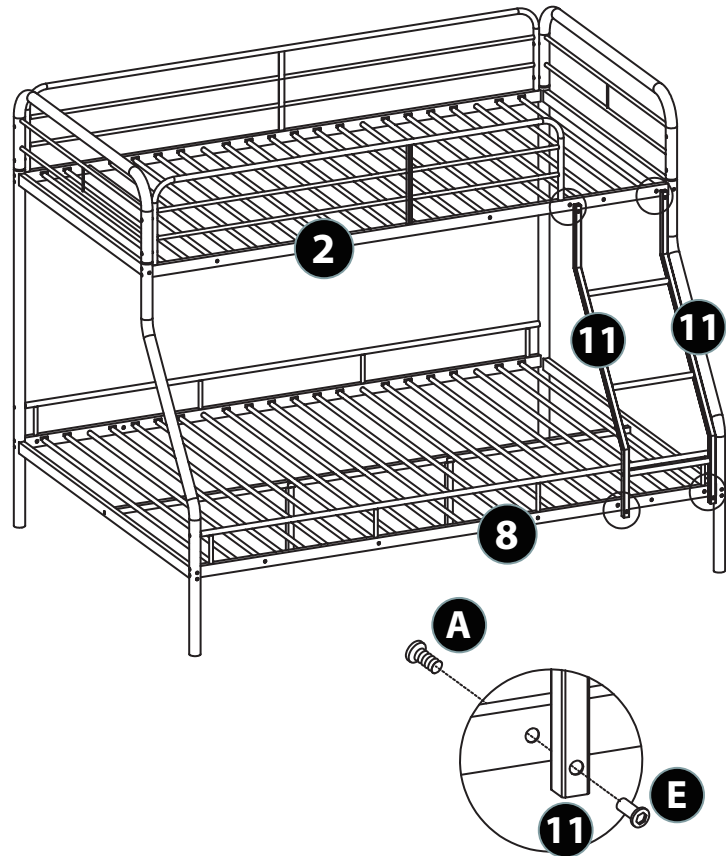
Install the N (×42) on the 13 (×16), 14 (×2) and 15 (×2) to make the bed more stable.



ASSEMBLY INSTRUCTIONS

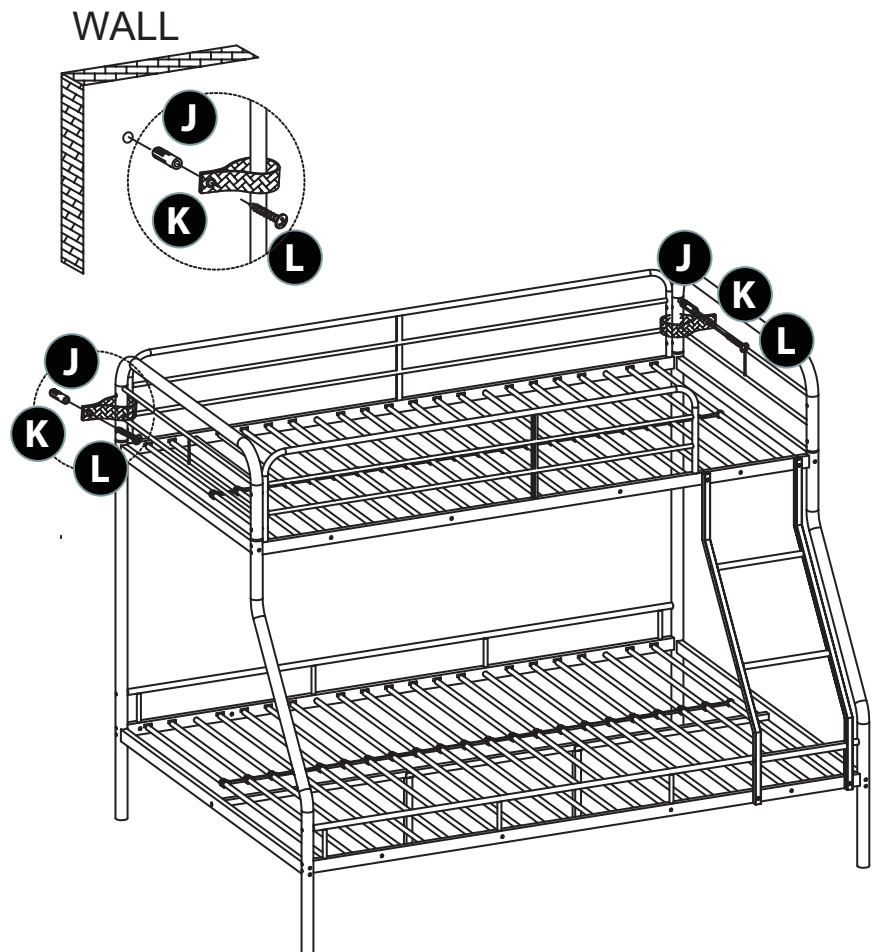
11

Select A(x4) and E(x4).
Insert 11(x2) into 2 and 8
with A(x4) and E(x4).

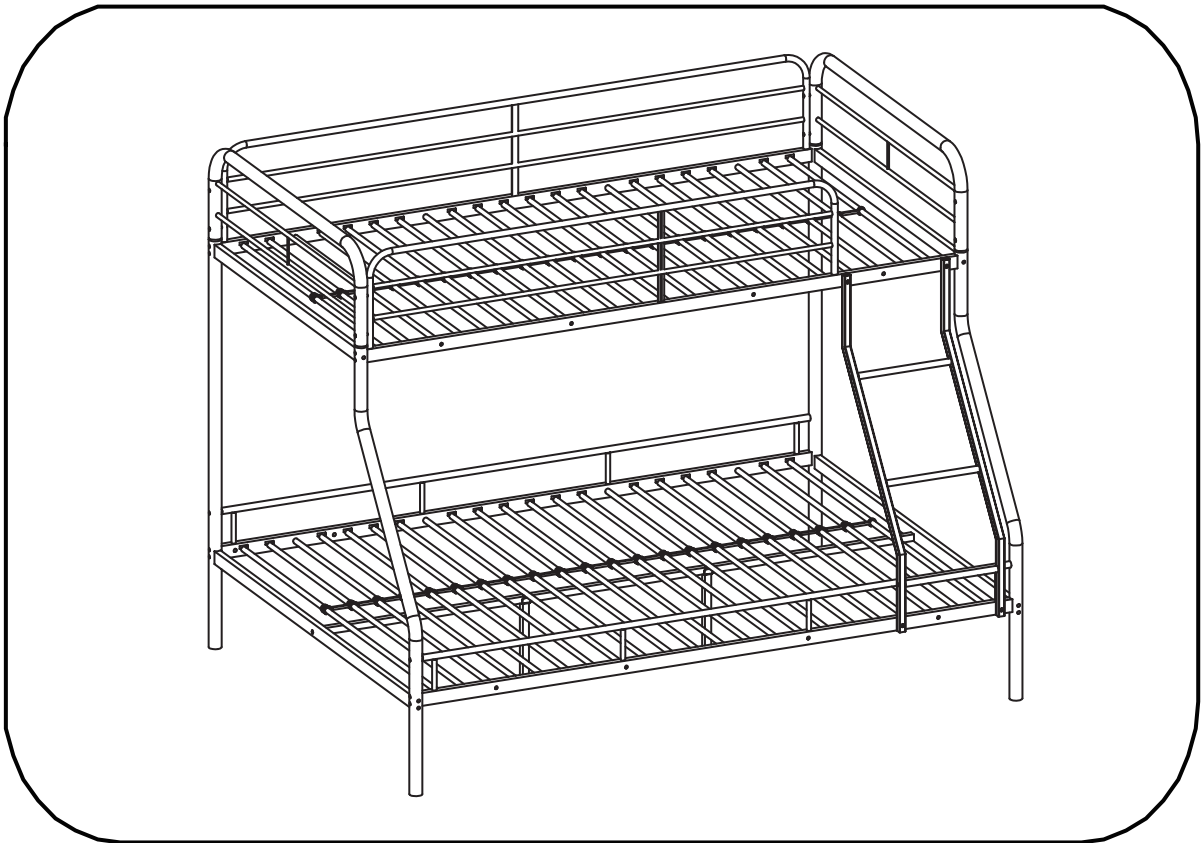


12

Select J(x2), K(x2) and L(x2).
If the bed is against the wall,
insert L(x2) into K(x2) into J(x2)
into wall to make the bed more
stable.



ASSEMBLY COMPLETE



CONGRATULATIONS, YOUR METAL BUNK BED IS COMPLETE!