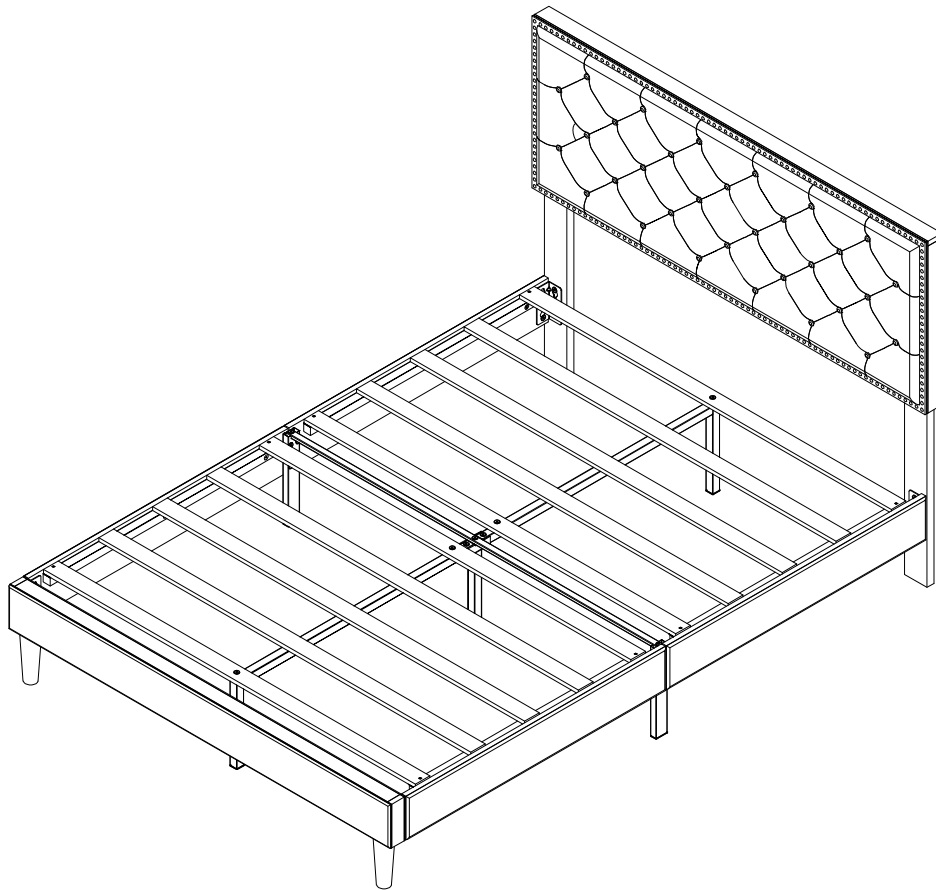
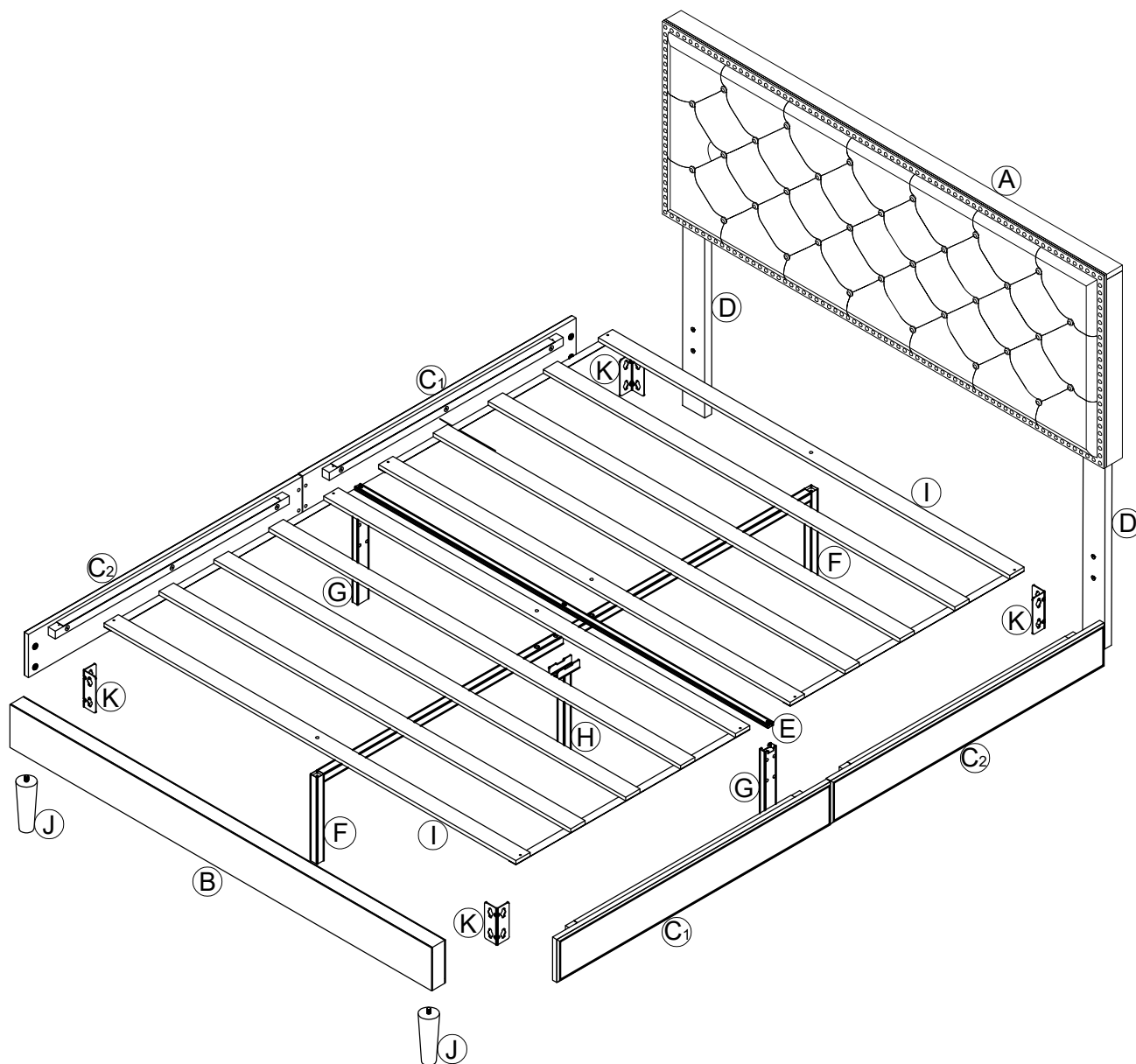


## Upholstered bed



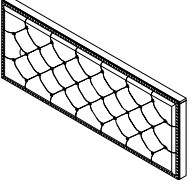
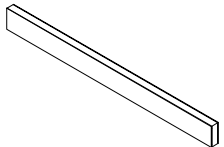
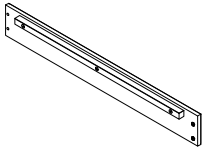
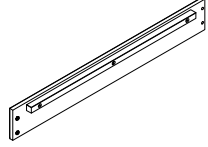

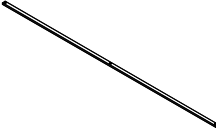
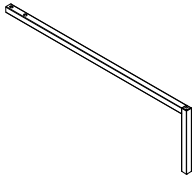

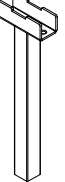
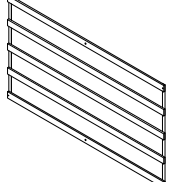

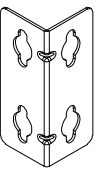

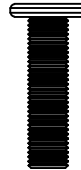



### TIPS

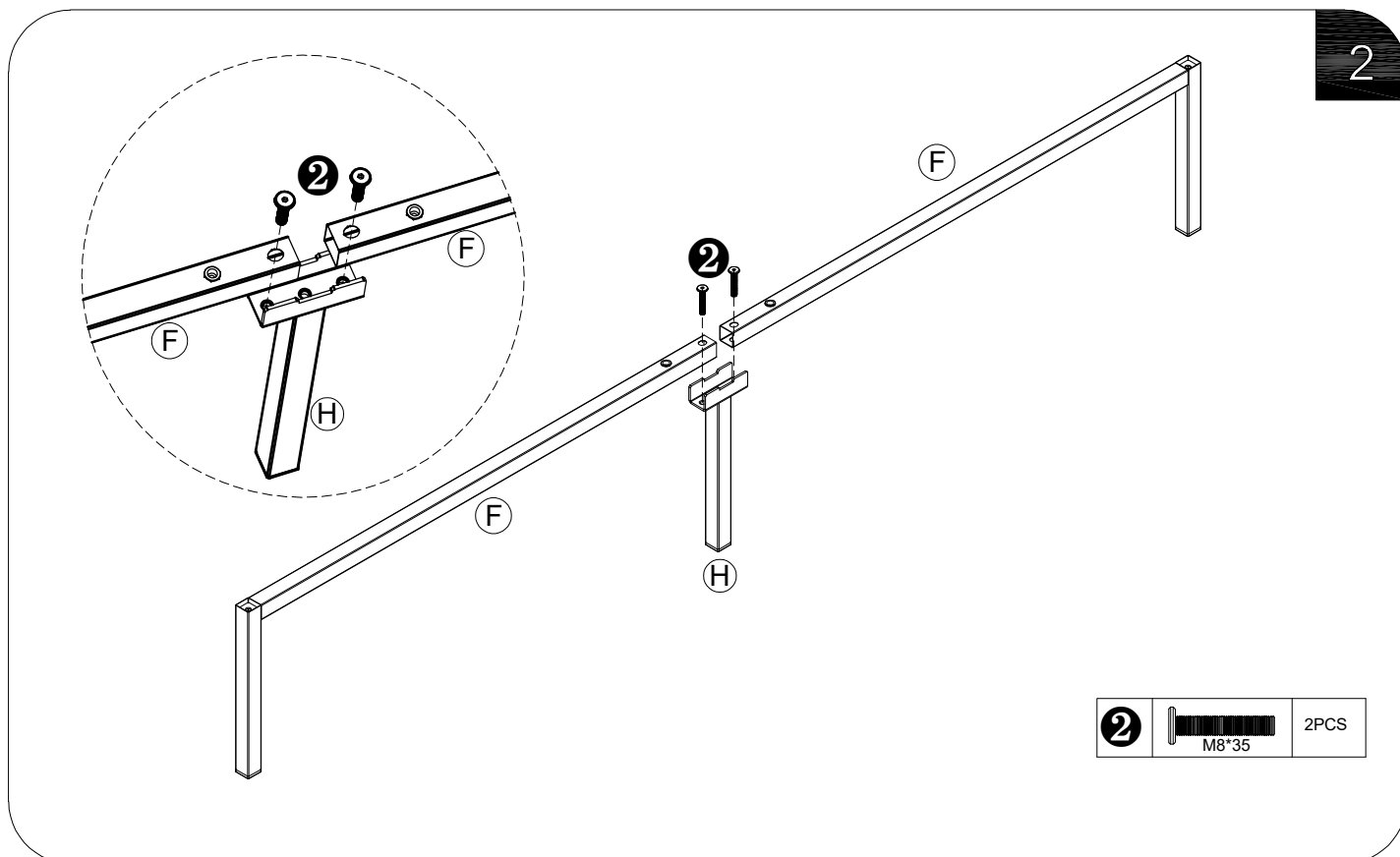
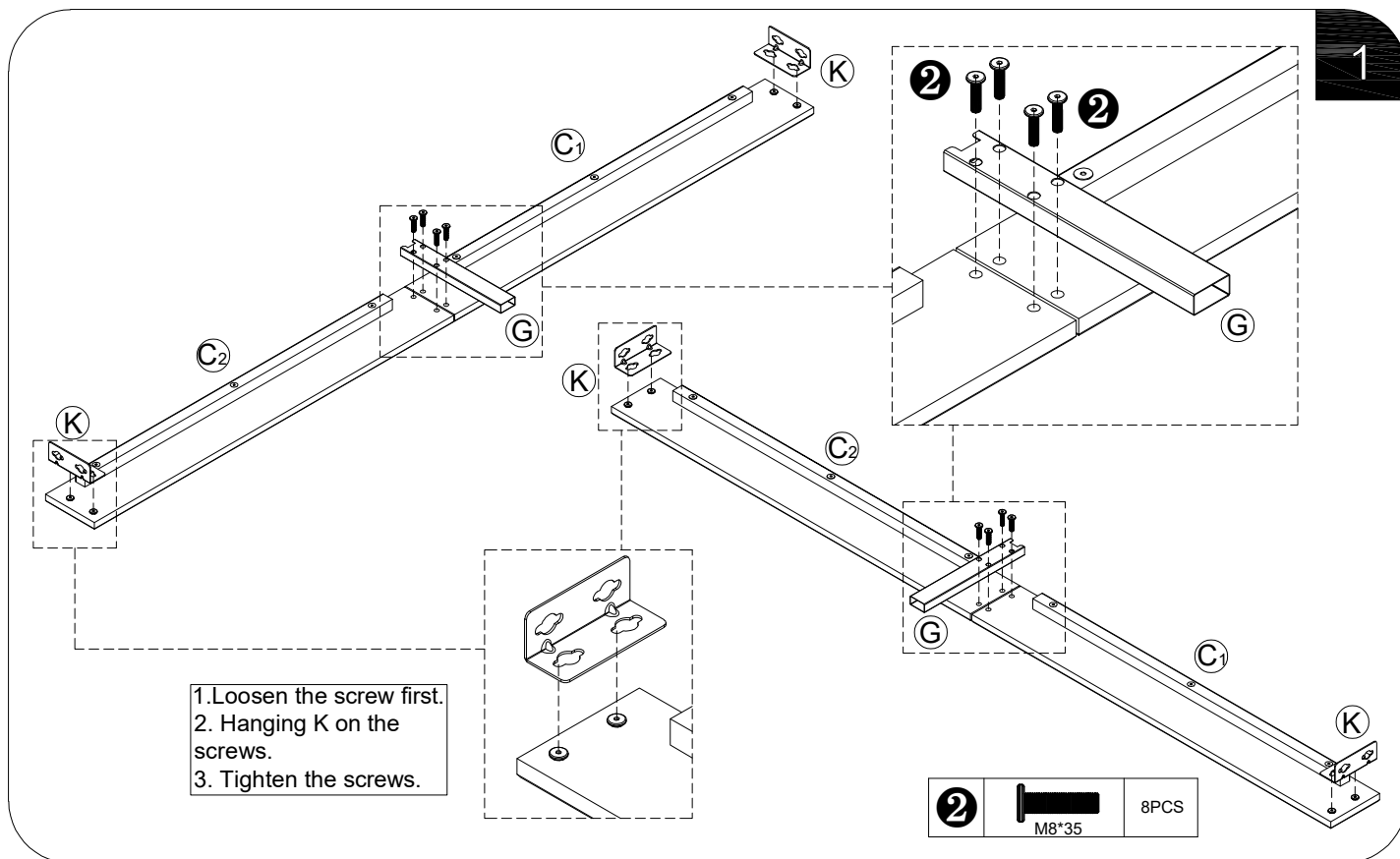
1. Please read the instructions fully before assembly. These instructions include important information which could ensure correct assembly. We have been working on providing high quality products for you. However, in the rare instance that your product is defective, missing parts or there are some issues, please don't hesitate to contact our customer service to submit parts requirements, assembly suggestion, or warranty claims, and we will give the best solution as soon as possible. If necessary, we need you to provide some more clear pictures of the issue.
2. Insert the screws in holes and tighten the screws, but not too tight, 70%~80% is ok, finally tighten all the screws. If some issues happened that some screws can not target to the hole or some parts are difficult to install, please adjust the tightness of the screws.



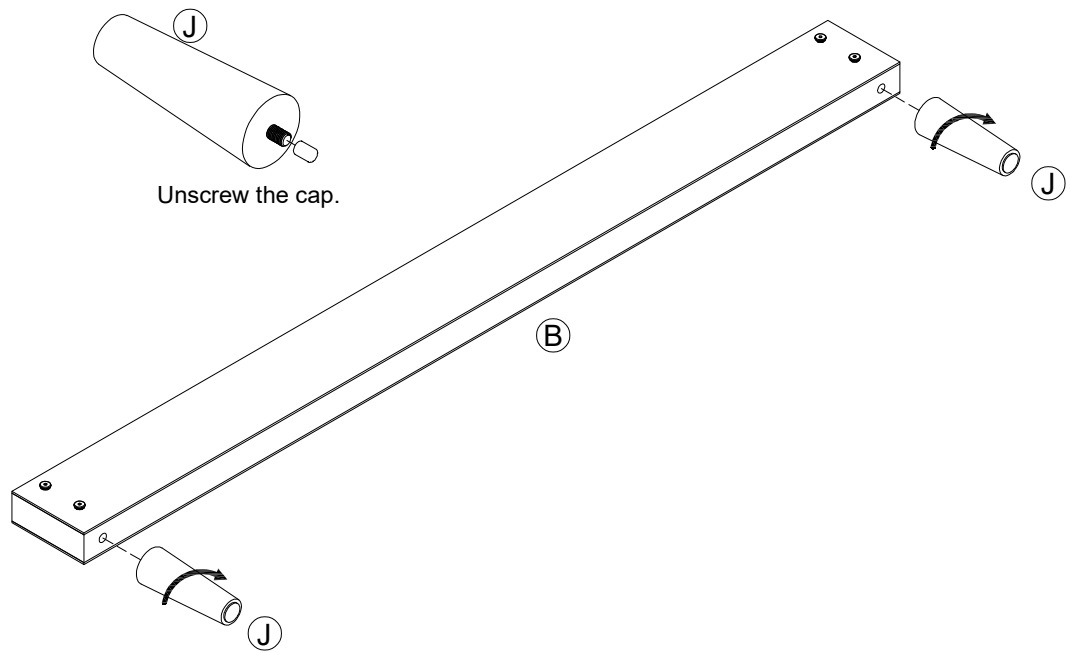
1. This product is not suitable for mattress recessed type.
2. This product is suitable for placing mattresses on the top.

Part List

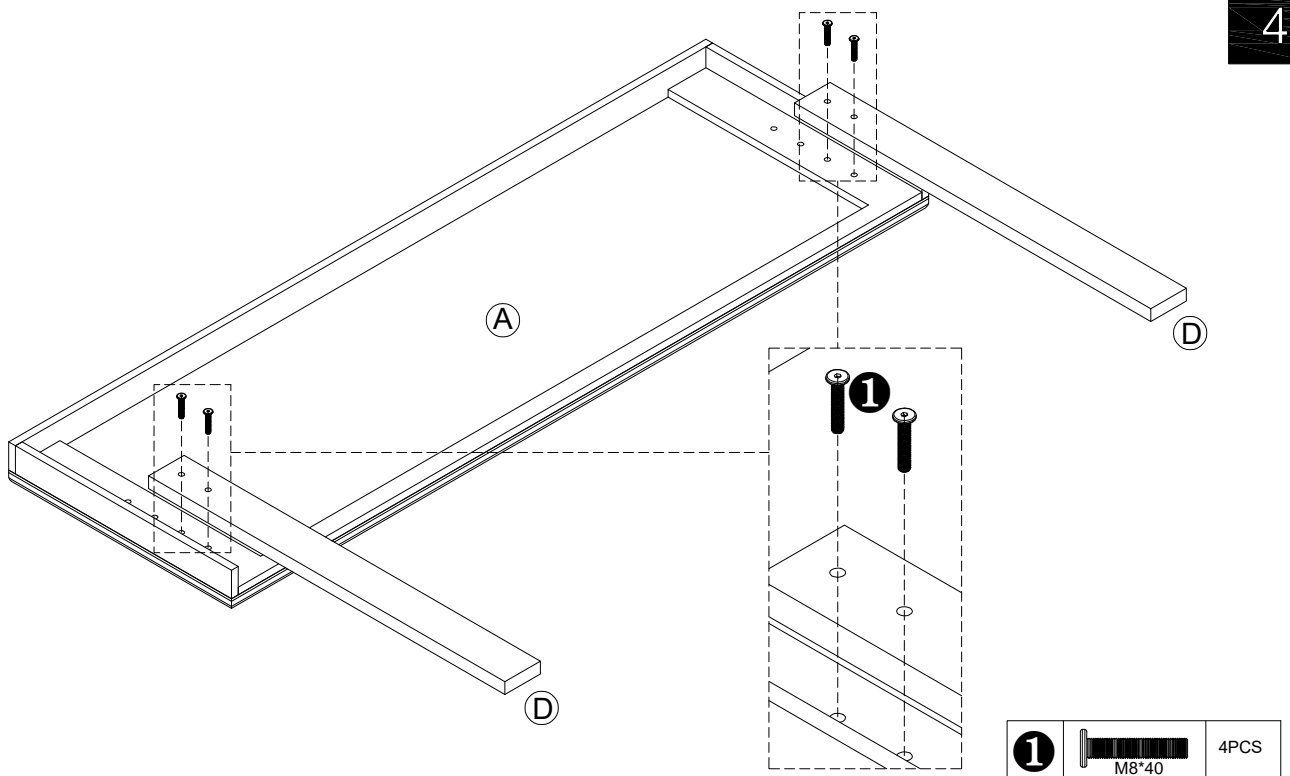
 <p><b>A</b></p>	 <p><b>B</b></p>	 <p><b>C1</b></p>	 <p><b>C2</b></p>	 <p><b>D</b></p>
Head board 1PC	Foot board 1PC	Side rails 2PCS	Side rails 2PCS	Head board leg 2PCS
 <p><b>E</b></p>	 <p><b>F</b></p>	 <p><b>G</b></p>	 <p><b>H</b></p>	 <p><b>I</b></p>
Cross bar 1PC	Center support bar 2PCS	Side rail support legs 2PCS	Connected support leg 1PC	Slats 2PCS
 <p><b>J</b></p>	 <p><b>K</b></p>	 <p><b>1</b></p>	 <p><b>2</b></p>	 <p><b>3</b></p>
Leg 2PCS	Bracket 4PCS	Bolts M8*40 5PCS	Bolts M8*35 14PCS	Nails M5*35 8PCS
 <p><b>4</b></p>	 <p><b>5</b></p>			
Bolts M8*18 2PCS	Allen Key 4*80 1PC			



3

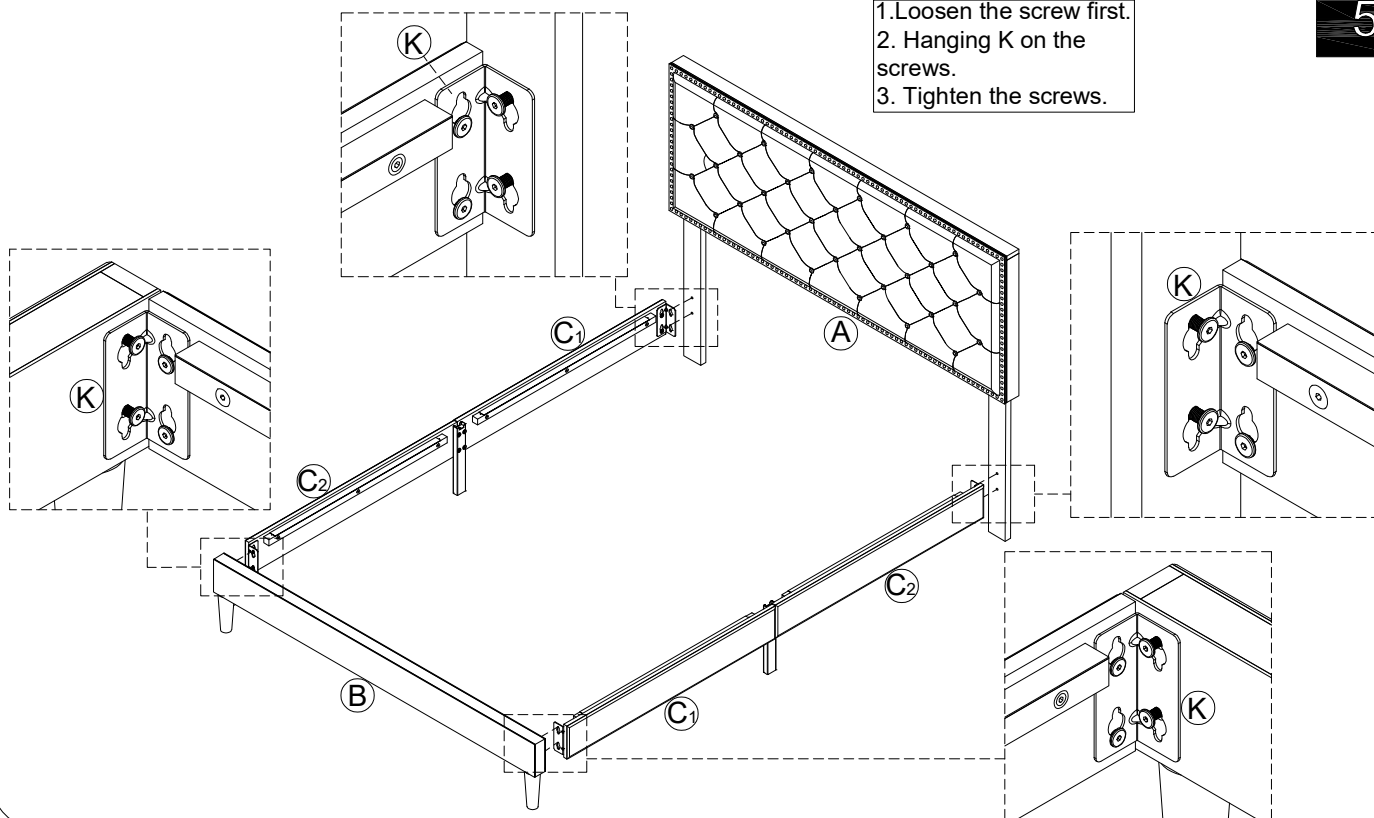


4

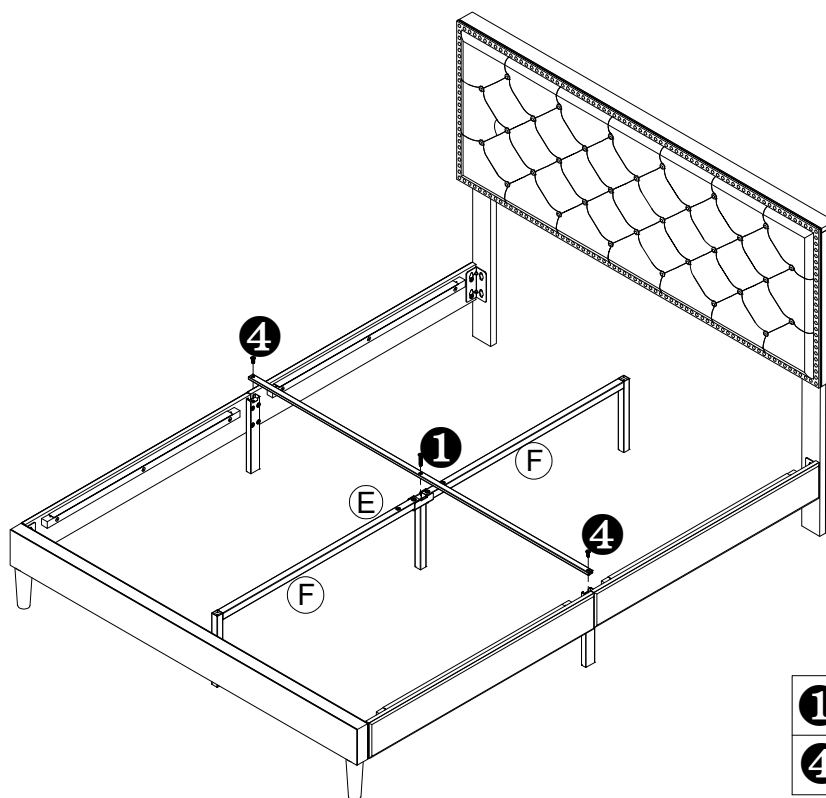



5

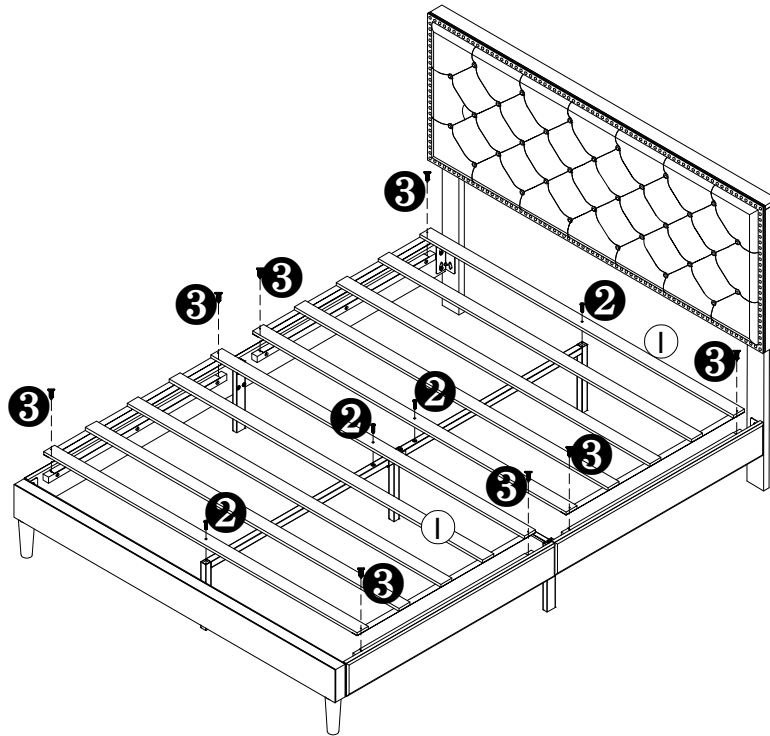
1. Loosen the screw first.
2. Hanging K on the screws.
3. Tighten the screws.





6



<b>1</b>		M8*40	1PC
<b>4</b>		M8*18	2PCS



<b>2</b>		4PCS
<b>3</b>		8PCS

Finish

