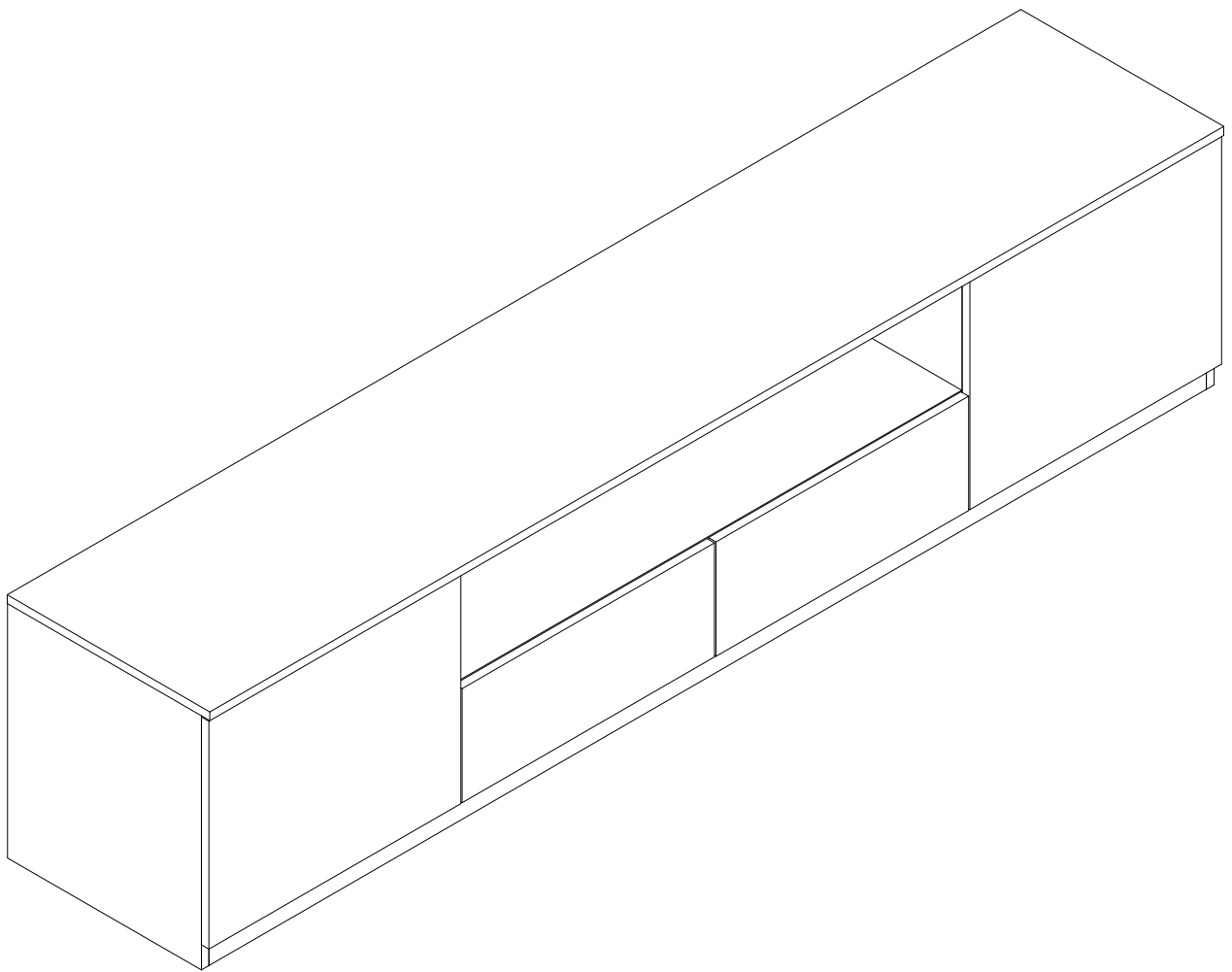
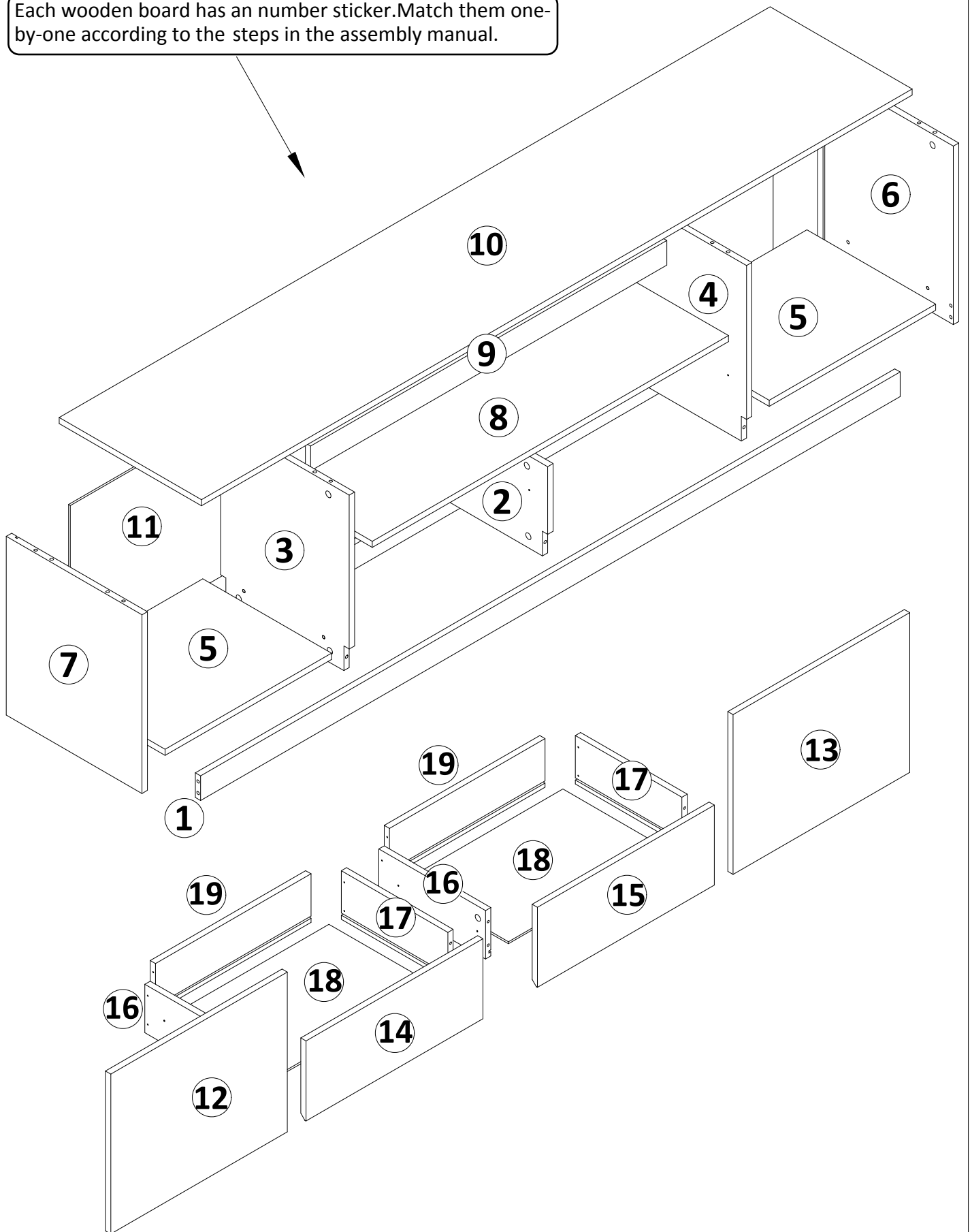


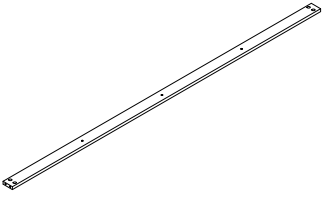
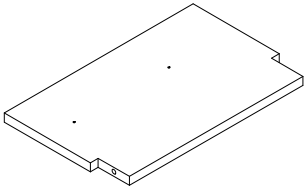
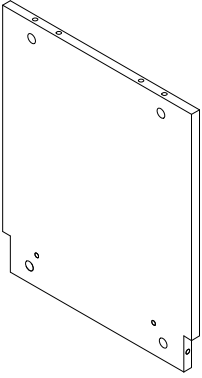
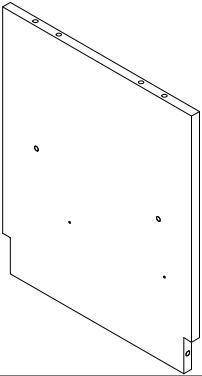
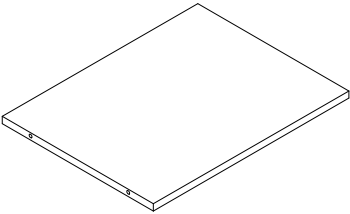
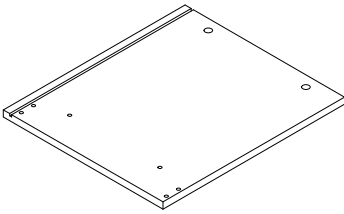
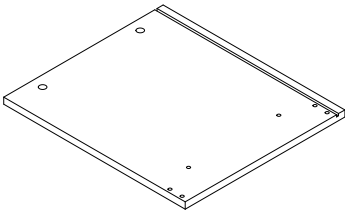
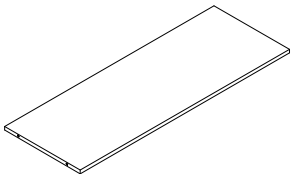
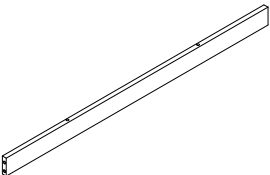
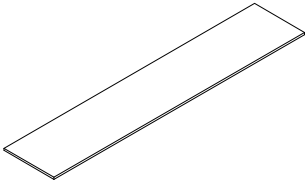
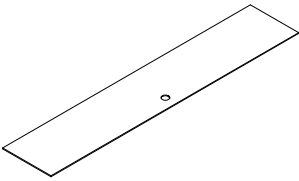
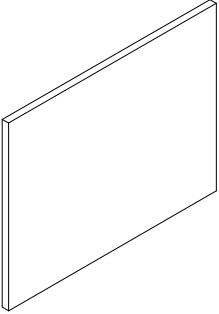
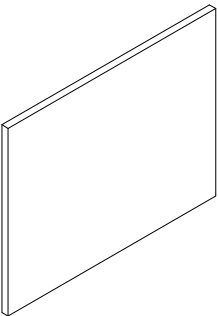
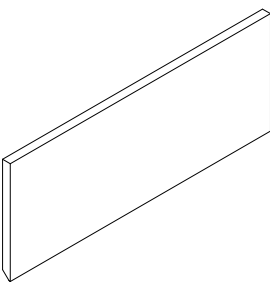
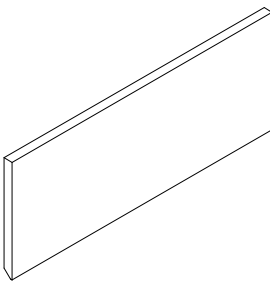
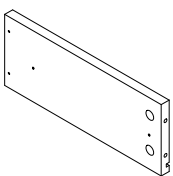
TV Cabinet



Each wooden board has a number sticker. Match them one-by-one according to the steps in the assembly manual.

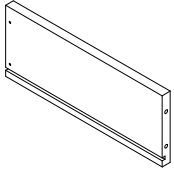


PARTS LIST

<p>1</p> 	<p>2</p> 	<p>3</p> 	<p>4</p> 
<p>2PCS</p>	<p>1PC</p>	<p>1PC</p>	<p>1PC</p>
<p>5</p> 	<p>6</p> 	<p>7</p> 	<p>8</p> 
<p>2PCS</p>	<p>1PC</p>	<p>1PC</p>	<p>1PC</p>
<p>9</p> 	<p>10</p> 	<p>11</p> 	<p>12</p> 
<p>1PC</p>	<p>1PC</p>	<p>1PC</p>	<p>1PC</p>
<p>13</p> 	<p>14</p> 	<p>15</p> 	<p>16</p> 
<p>1PC</p>	<p>1PC</p>	<p>1PC</p>	<p>2PCS</p>

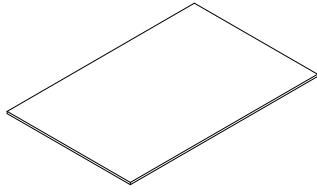
PARTS LIST

17



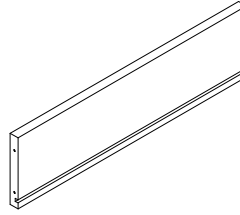
2PCS

18



2PCS

19

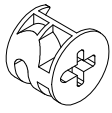
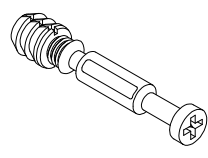
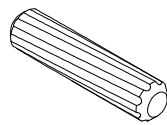
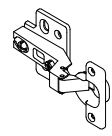
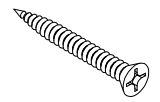
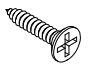
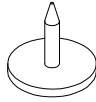
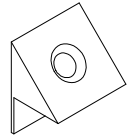
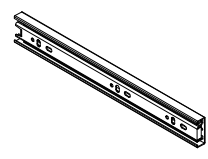


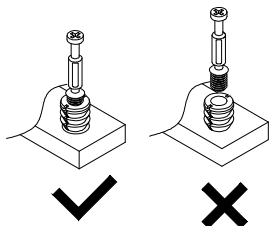
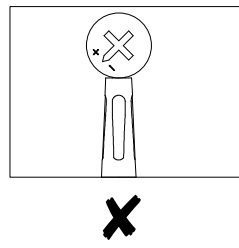
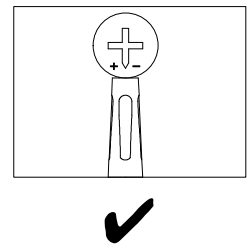
2PCS

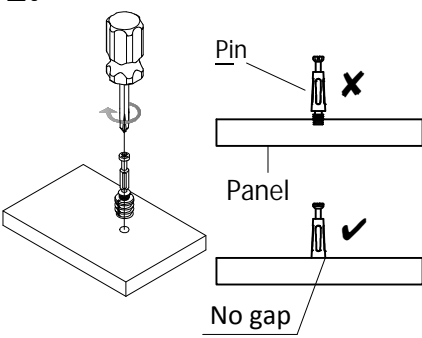
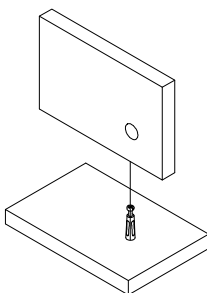
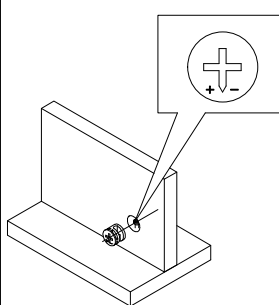
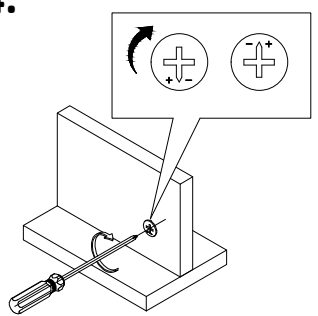
·The number in the upper left corner indicates the panel code, and the number in the lower middle indicates the quantity.

·If you encounter any missing or damaged panels, please contact us immediately. We will prioritize resolving your issue promptly.

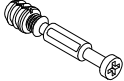
HARDWARE LIST

A	B	C	D	E
				
$\varnothing 15*10\text{MM}$ 50PCS	$\varnothing 6*35\text{MM}$ 50PCS	$\varnothing 8*30\text{MM}$ 10PCS	4PCS	$\varnothing 3.5*35\text{MM}$ 8PCS
F	G	H	K	
				
$\varnothing 3.5*14\text{MM}$ 52PCS	8PCS	8PCS	10"	4PCS

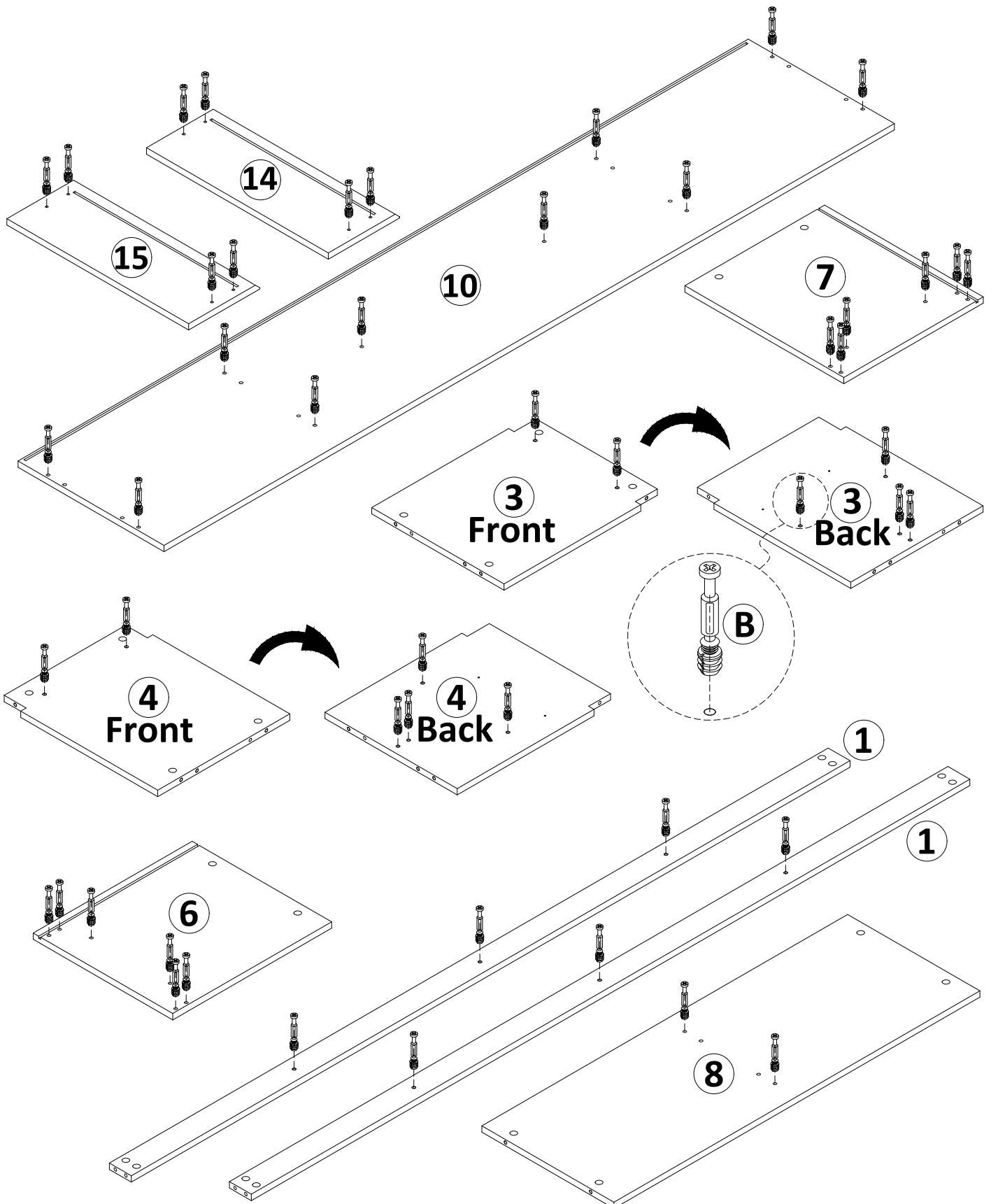
 <p style="text-align: center;">This part cannot be separated, please install in strict accordance with the assembly requirements.</p>	 <p style="text-align: center;">Adjust connecting piece direction until it is properly lined up with the hole.</p>	 <p style="text-align: center;">Insert bolt when connecting piece direction is properly lined up.</p>
---	---	--

<p>1.</p> 	<p>2.</p> 	<p>3.</p> 	<p>4.</p> 
---	--	---	--

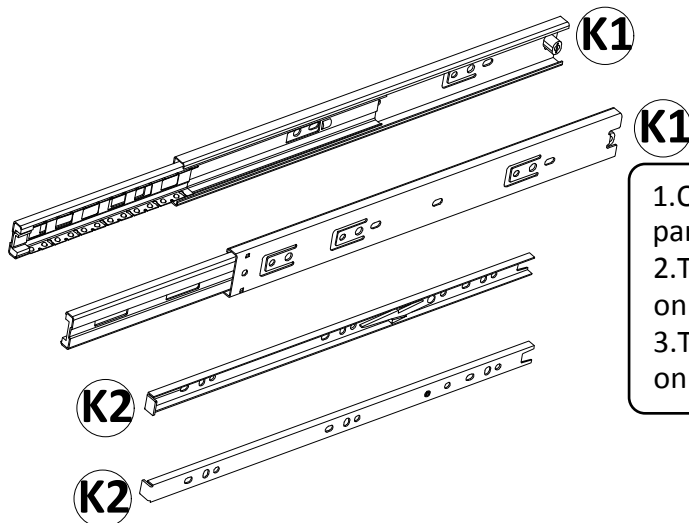
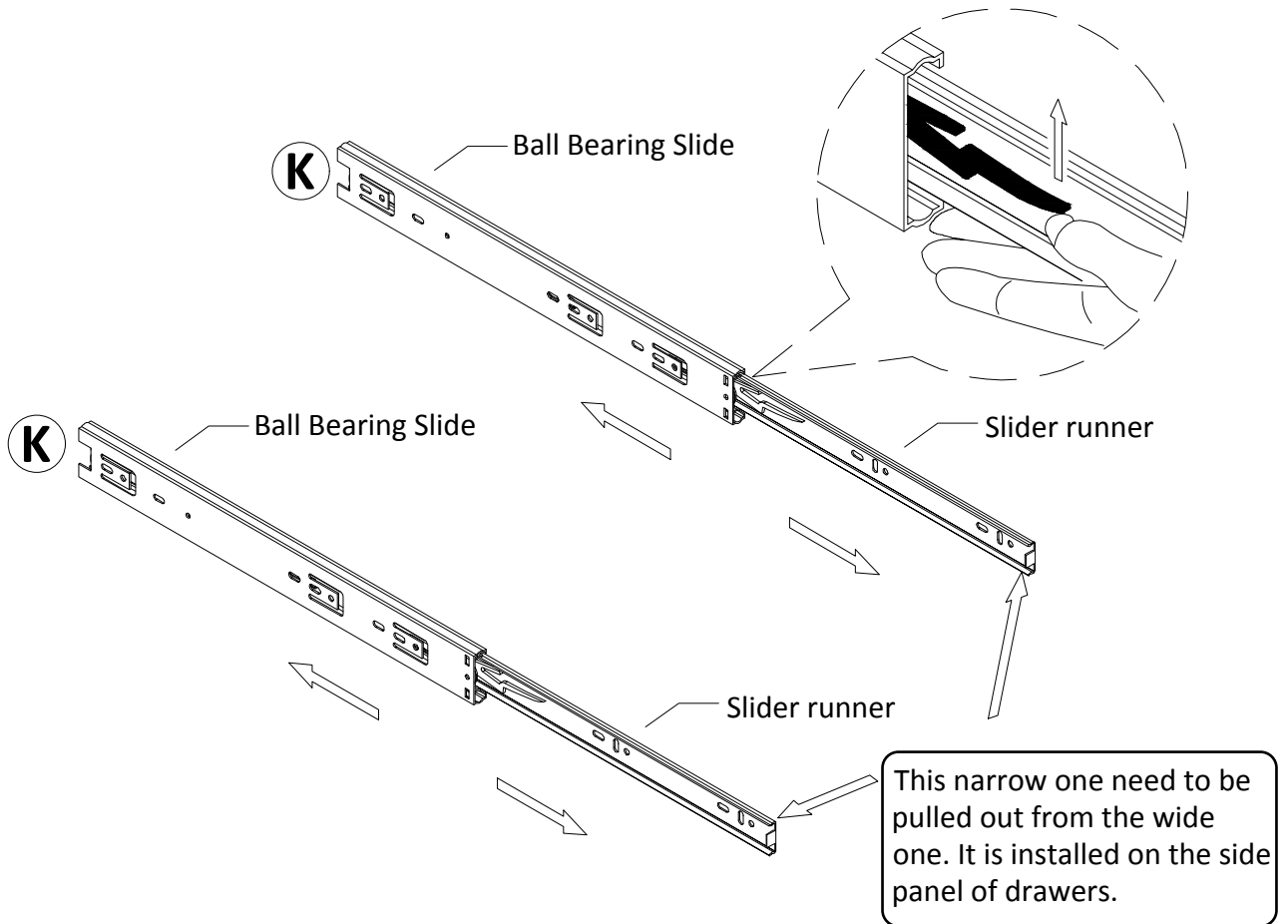
Step 1

B  **X50**

As shown in the diagram, screw #B (connector bolt) into the corresponding holes of the Panels 1/3 (front and back) /4 (front and back) /6/7/8/10/14/15.



Step 2

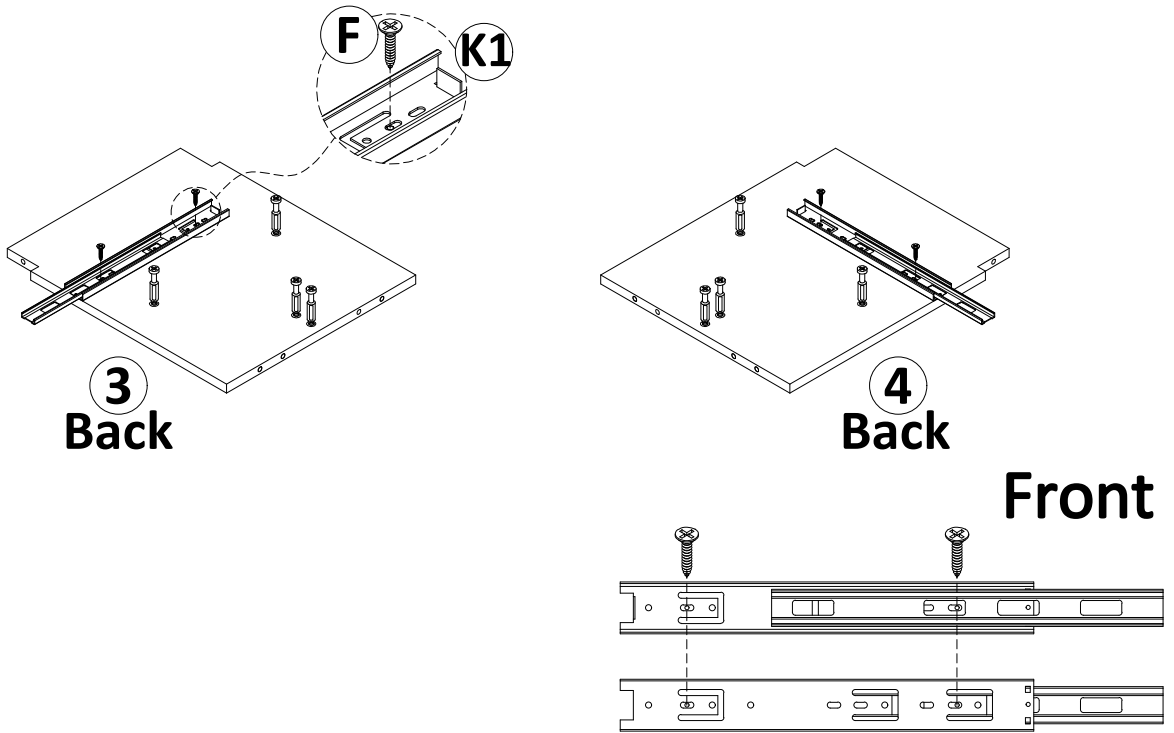
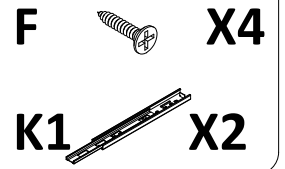


1. One set of guide rail should be four parts.
2. Two wide guide rails are installed on the side panel of the cabinet.
3. Two narrow guide rails are installed on the side panel of drawers.

Attention:
Take care when installing the slide rails as they have been pre-lubricated.

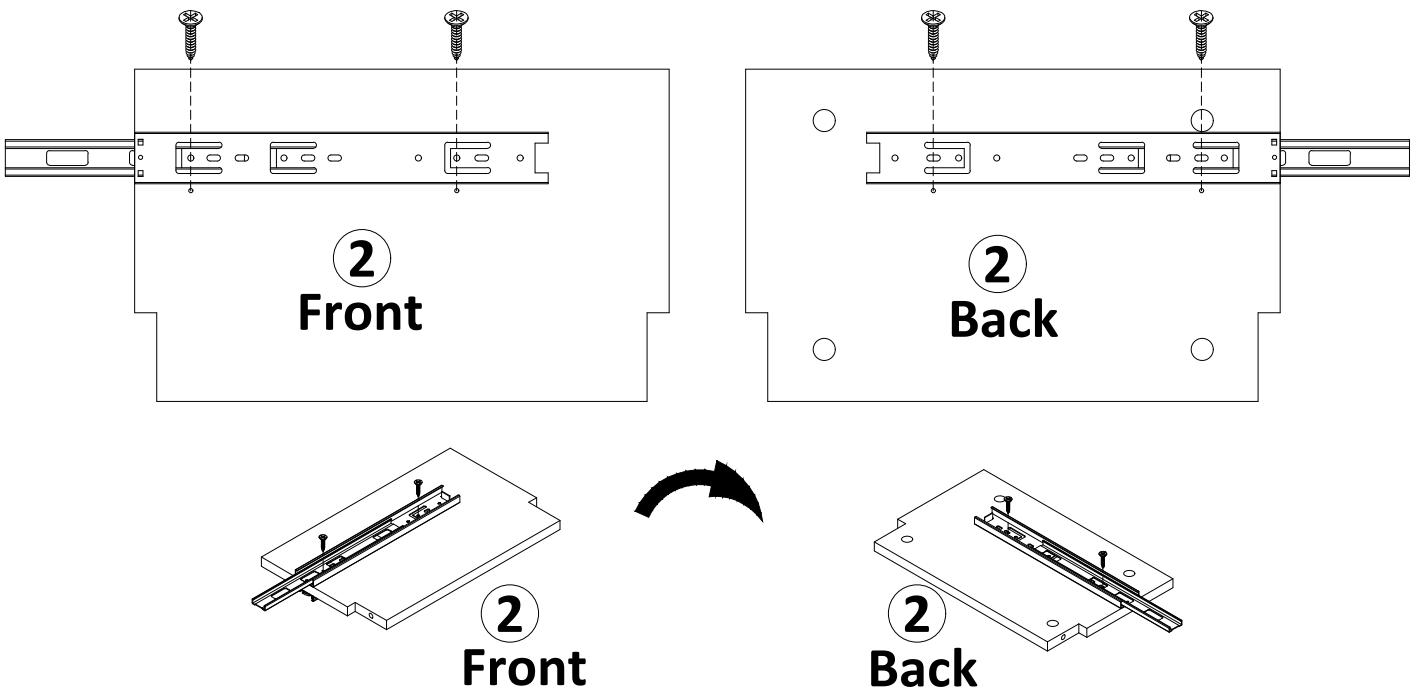
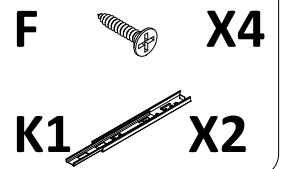
Step 3

As shown: Secure two K1 units to Panels 3 (Back) / 4 (Back) using #F (screws).



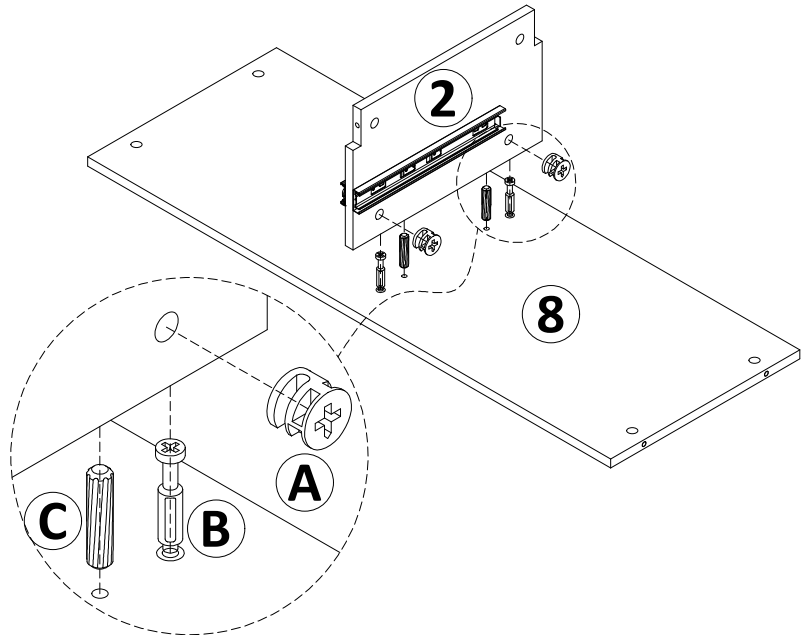
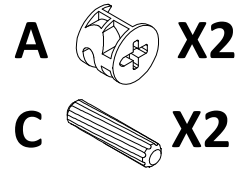
Step 4

As shown: Secure two K1 units to Panels 2 (Front and Back) using #F (screws). Note that different hole positions are used when installing the guide rails on the front and back of Panel 2.



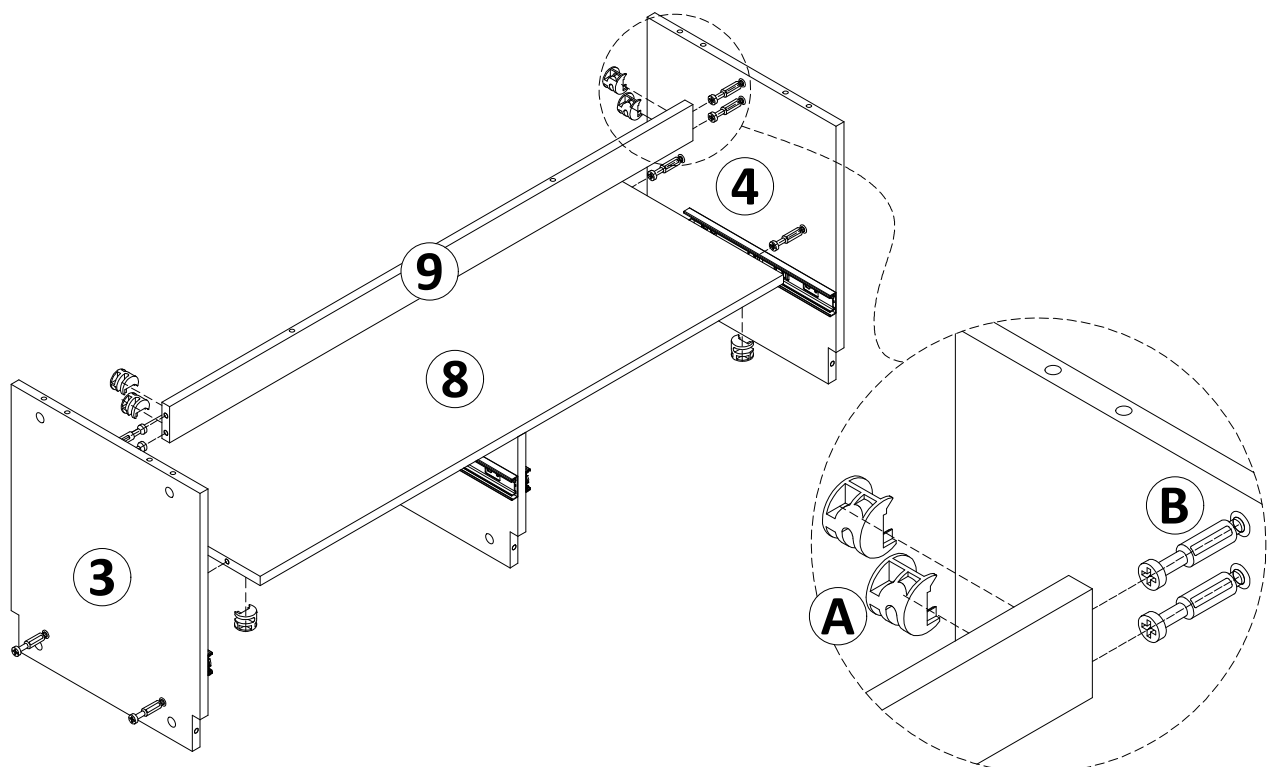
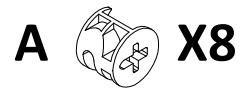
Step 5

Insert #C (wood dowel pins) into Panel 8, connect Panel 2 to Panel 8, then secure with #A (eccentric locks) and tighten.




Step 6

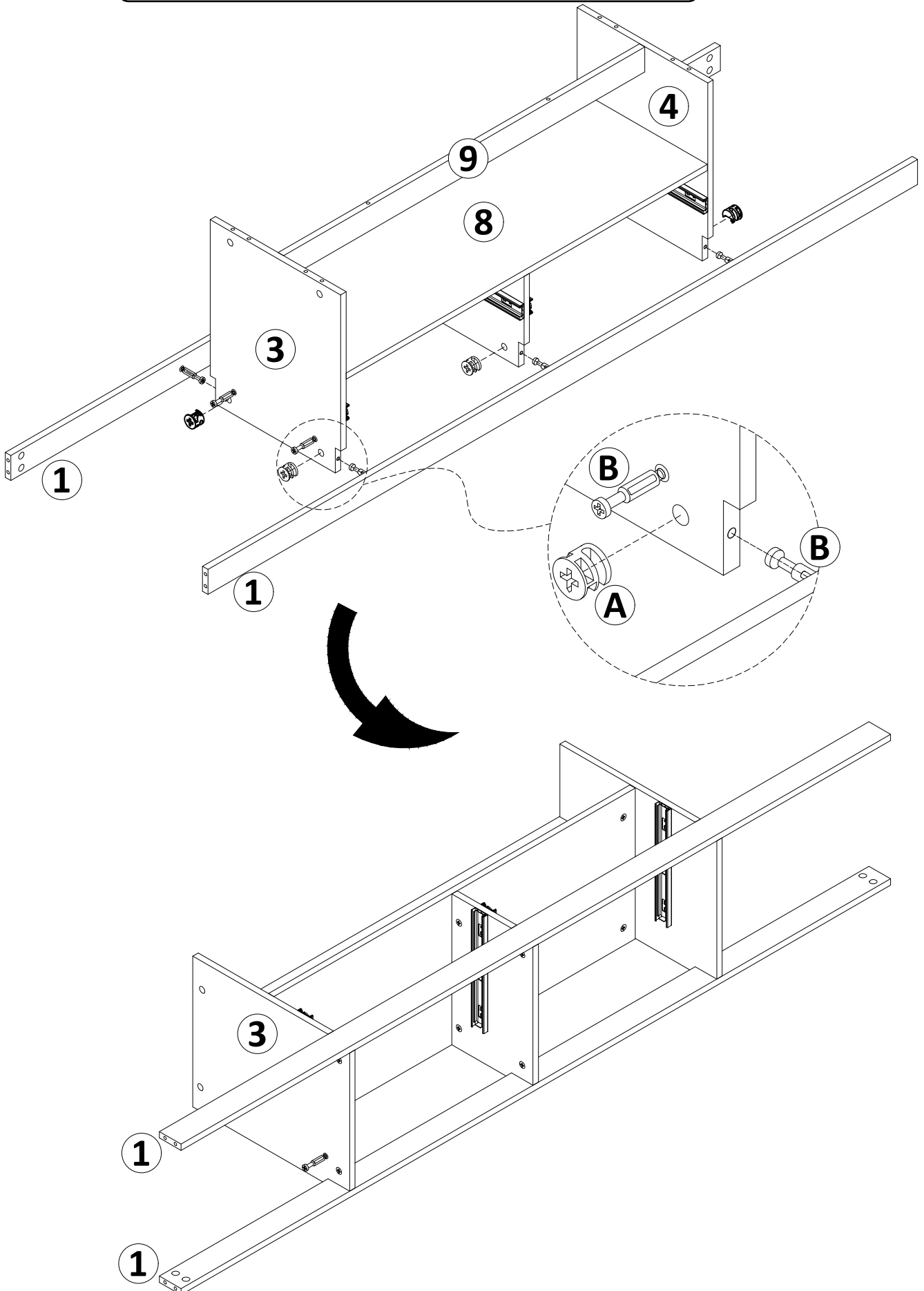
Snap Panels 3 and 4 into the sides of Panels 8 and 9 and screw in #A (eccentric locks) to secure.



Step 7


As shown in the figure, insert the two Panels 1 into the sides of the pre-assembled component and secure them with screw #A (eccentric locks). Then flip it over again to proceed with the subsequent installation.

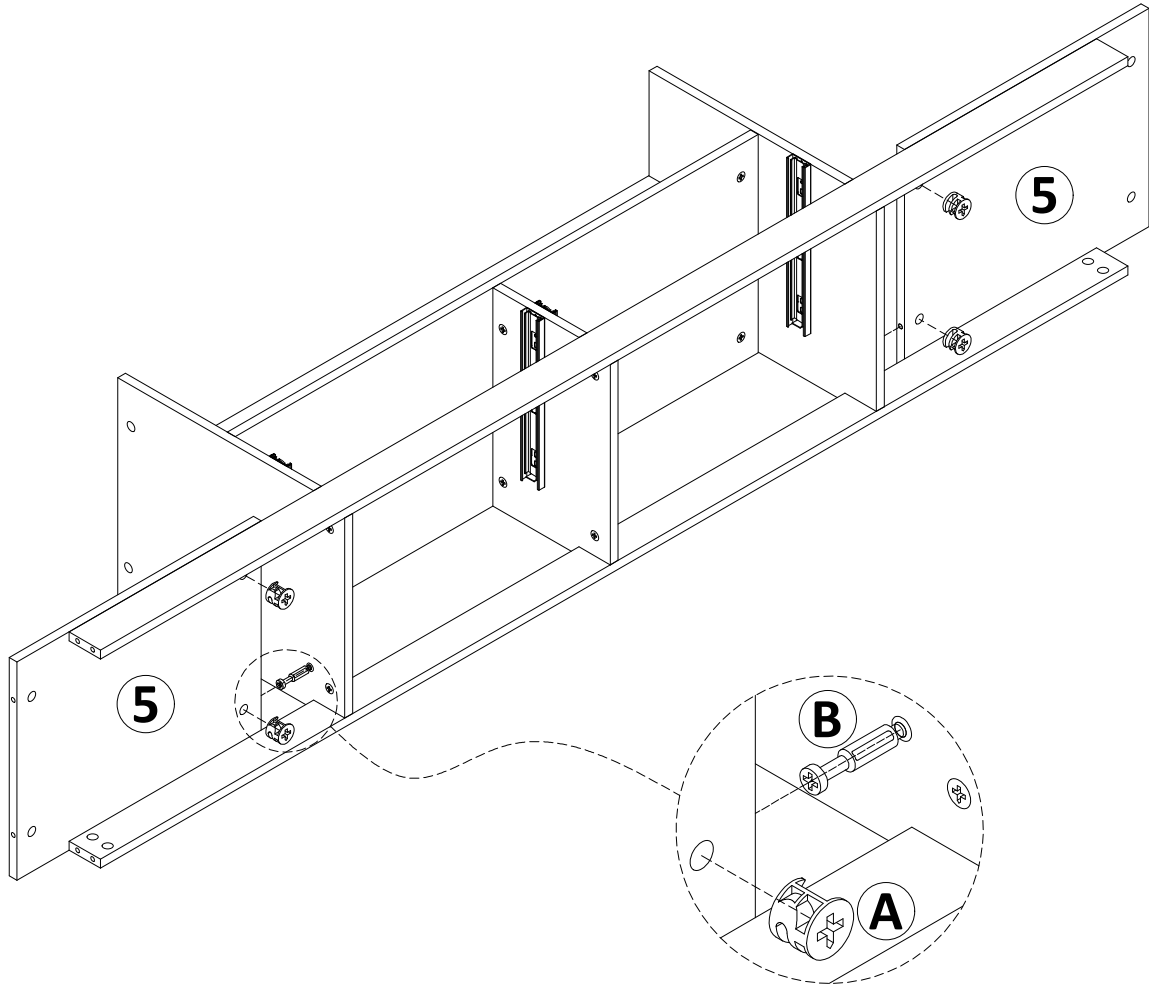
A  **X6**



Step 8

As shown in the figure, insert the two Panels 5 into the sides of the pre-assembled component and secure them with screw #A (eccentric locks).

A  **X4**



Step 9

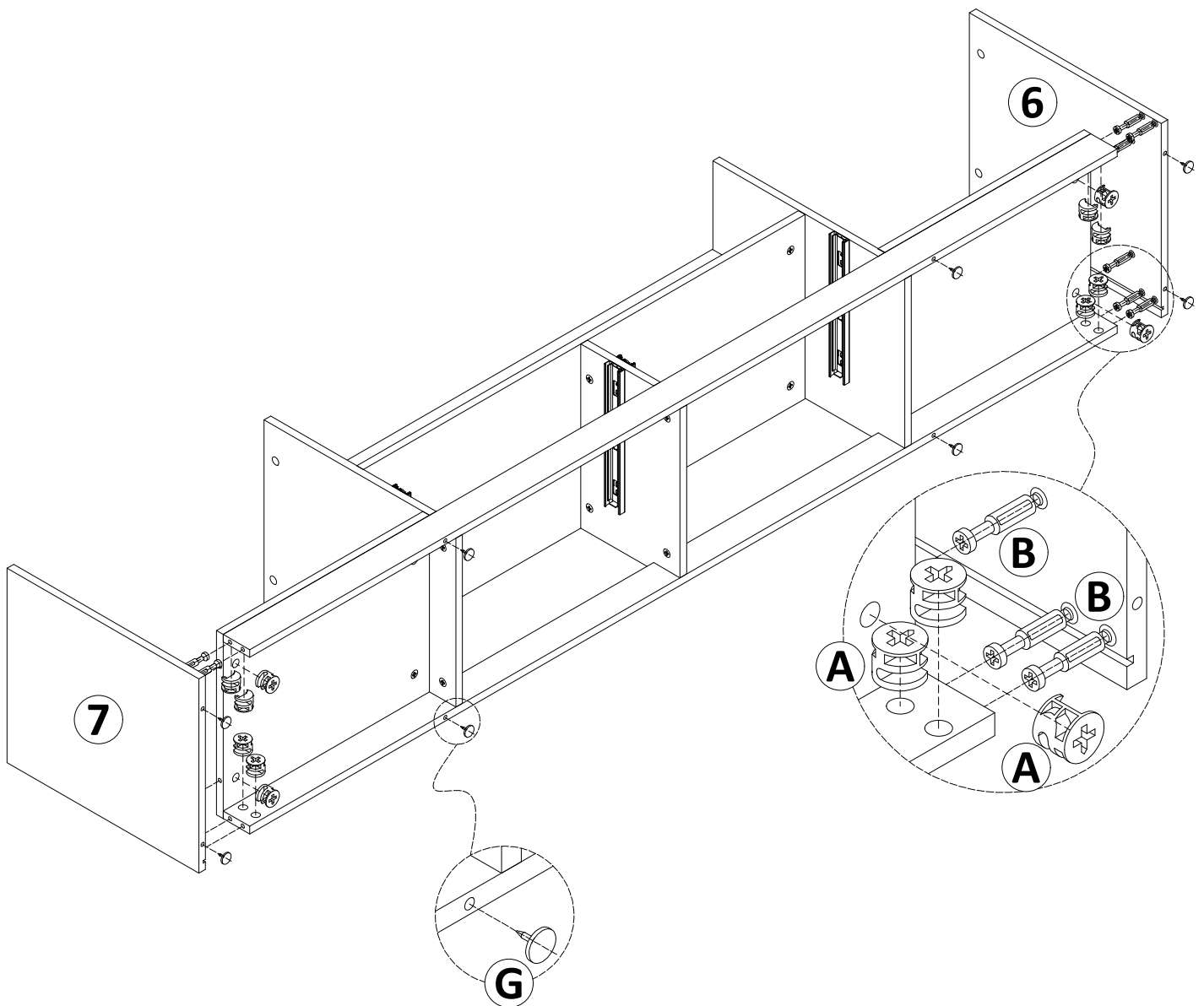
1. As shown in the figure, insert the Panels 6/7 into the sides of the pre-assembled component and secure them with screw #A (eccentric locks).

2. Ensure the side grooves on the panels are facing inward and downward, as shown in the diagram.

3. Install accessory #G onto the corresponding Panels 1/6/7.

A  **X12**

G  **X8**

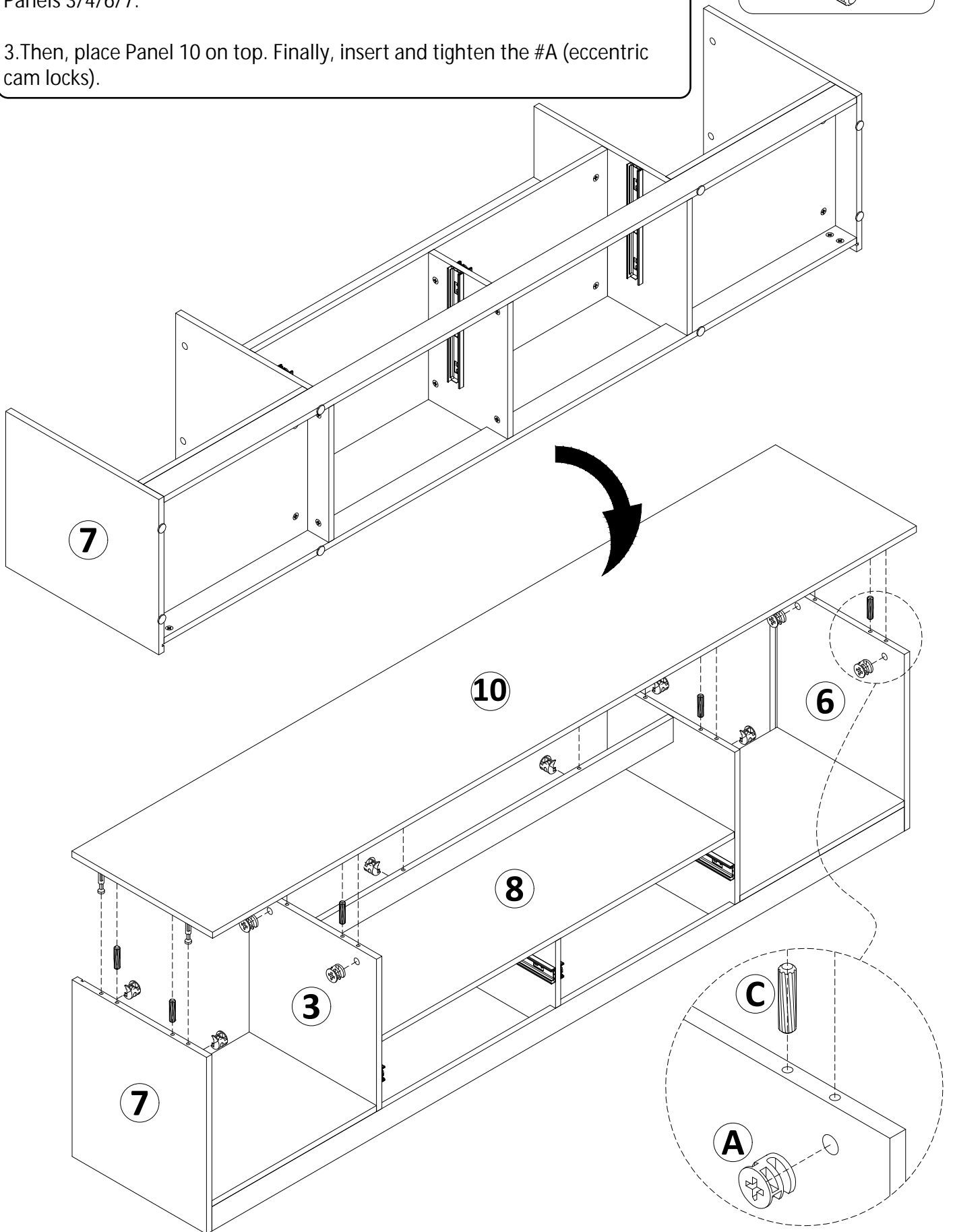
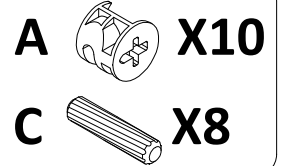


Step 10

1. Rotate the pre-assembled component to its upright position.


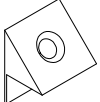
2. Install the #C (wood dowel pins) into the corresponding holes on the top of Panels 3/4/6/7.

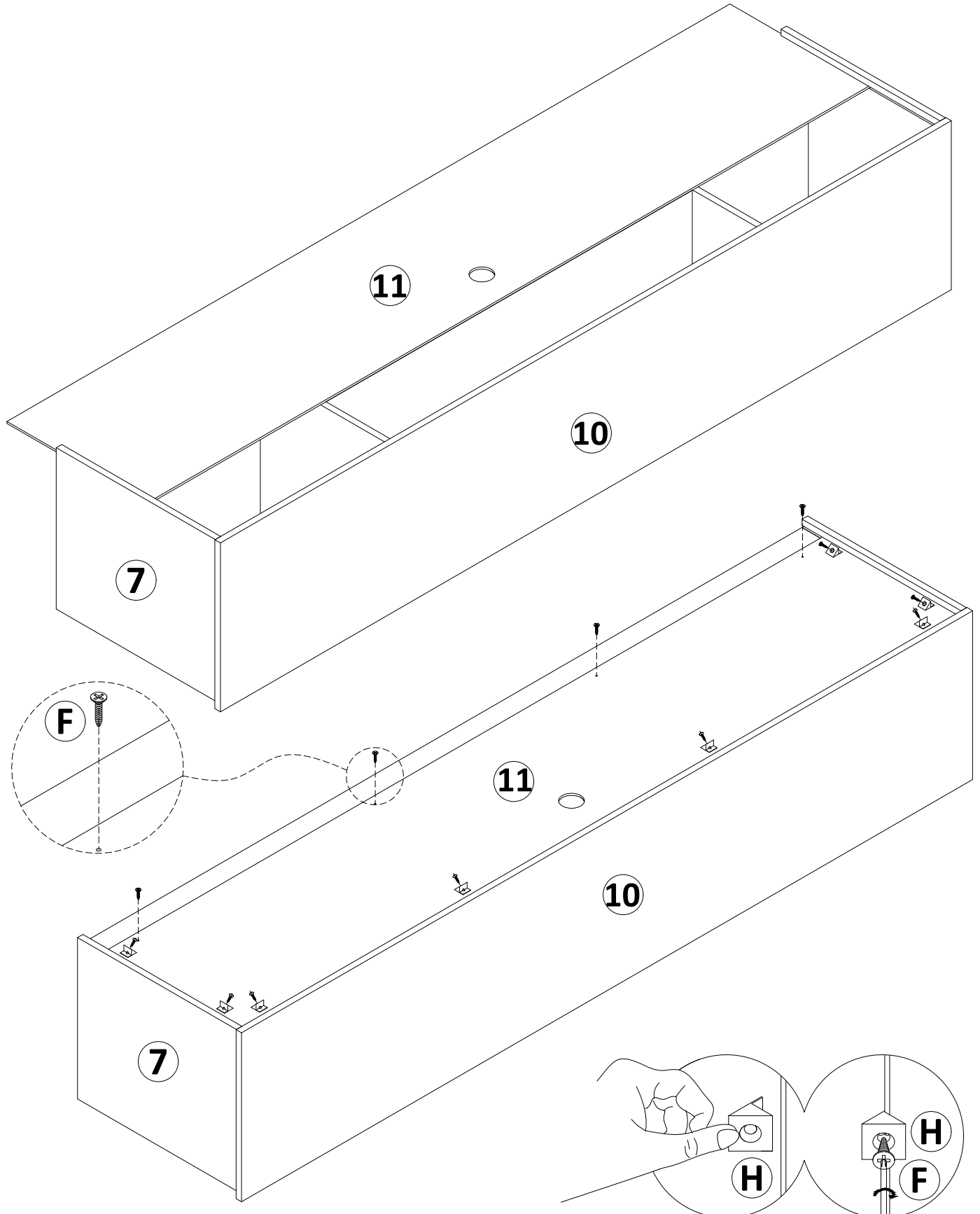
3. Then, place Panel 10 on top. Finally, insert and tighten the #A (eccentric cam locks).



Step 11

Flip the pre-assembled component over once more. Secure Panel 11 into the grooves, and then fasten it using #F (screws) and #H (accessory).

F  **X12**
H  **X8**

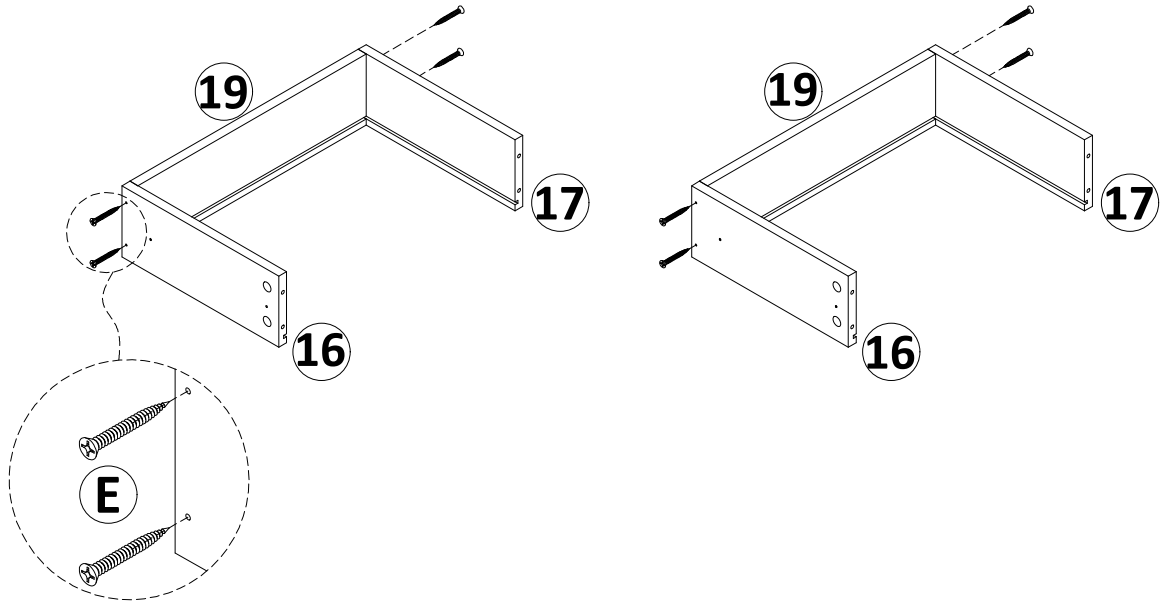


Step 12

Drawer Assembly:

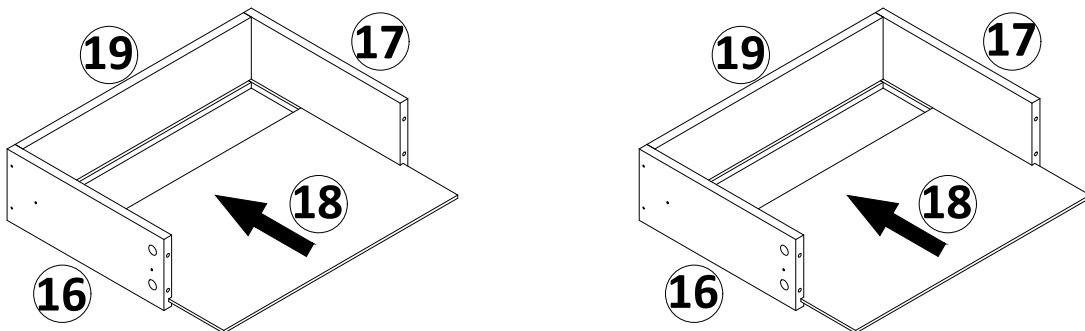
Using #E (screws) secure Panel 16 and Panel 17 to both sides of Panel 19, ensuring the grooves are aligned in the same direction. This step needs to be installed twice.

E  X8




Step 13

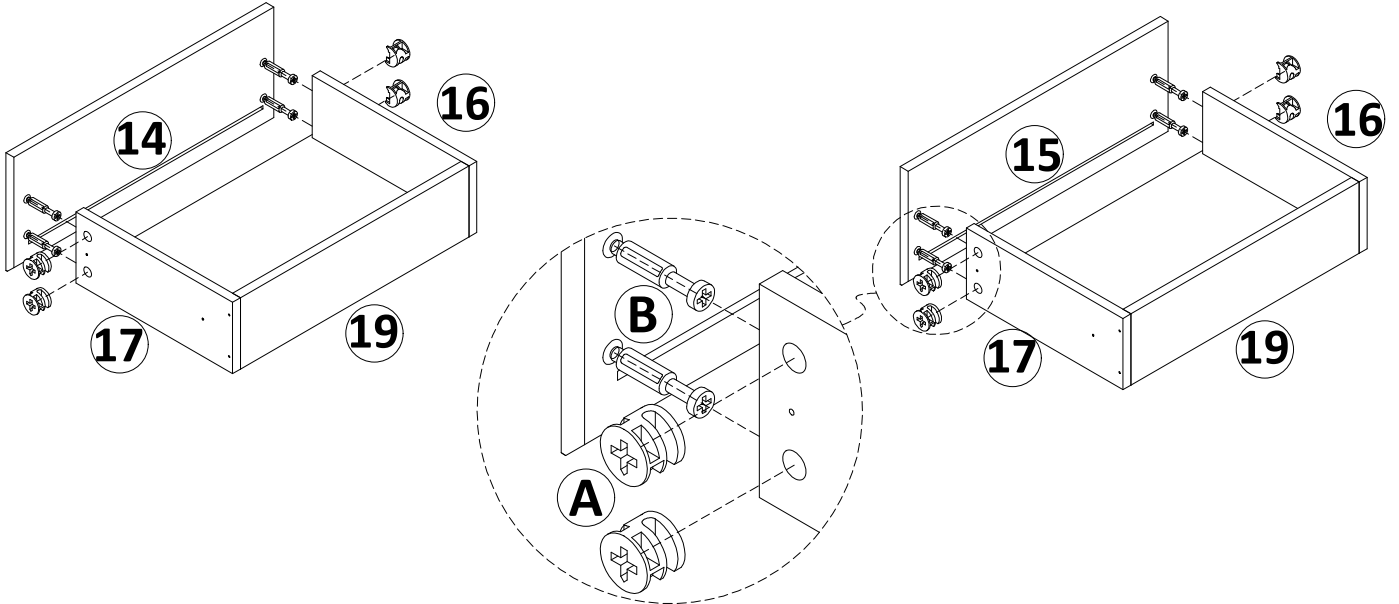
Snap Panel 18 into the groove. This step needs to be done twice.



Step 14

Install Panel 14/15 (drawer front) to the pre-drawer assembly and secure it by screwing #A (eccentric cam lock) into the side mounting holes.

A  **X8**



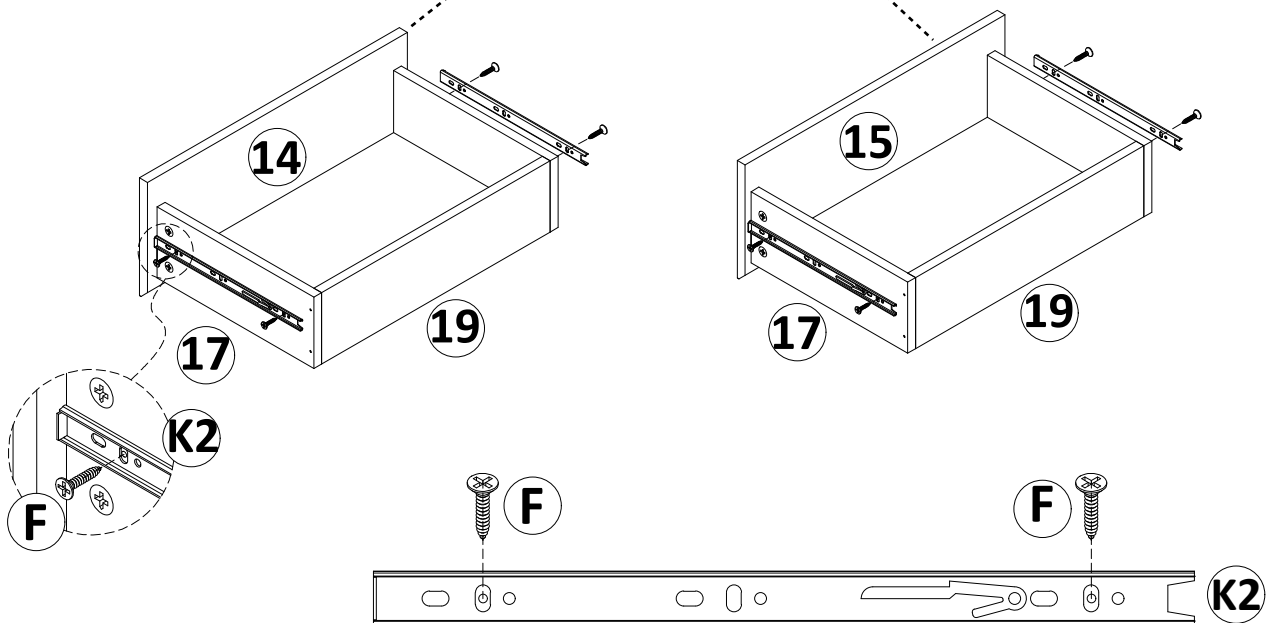
Step 15

Attach the K2 (inner rails) to both sides of the drawer using the #F (screws).

F  **X8**

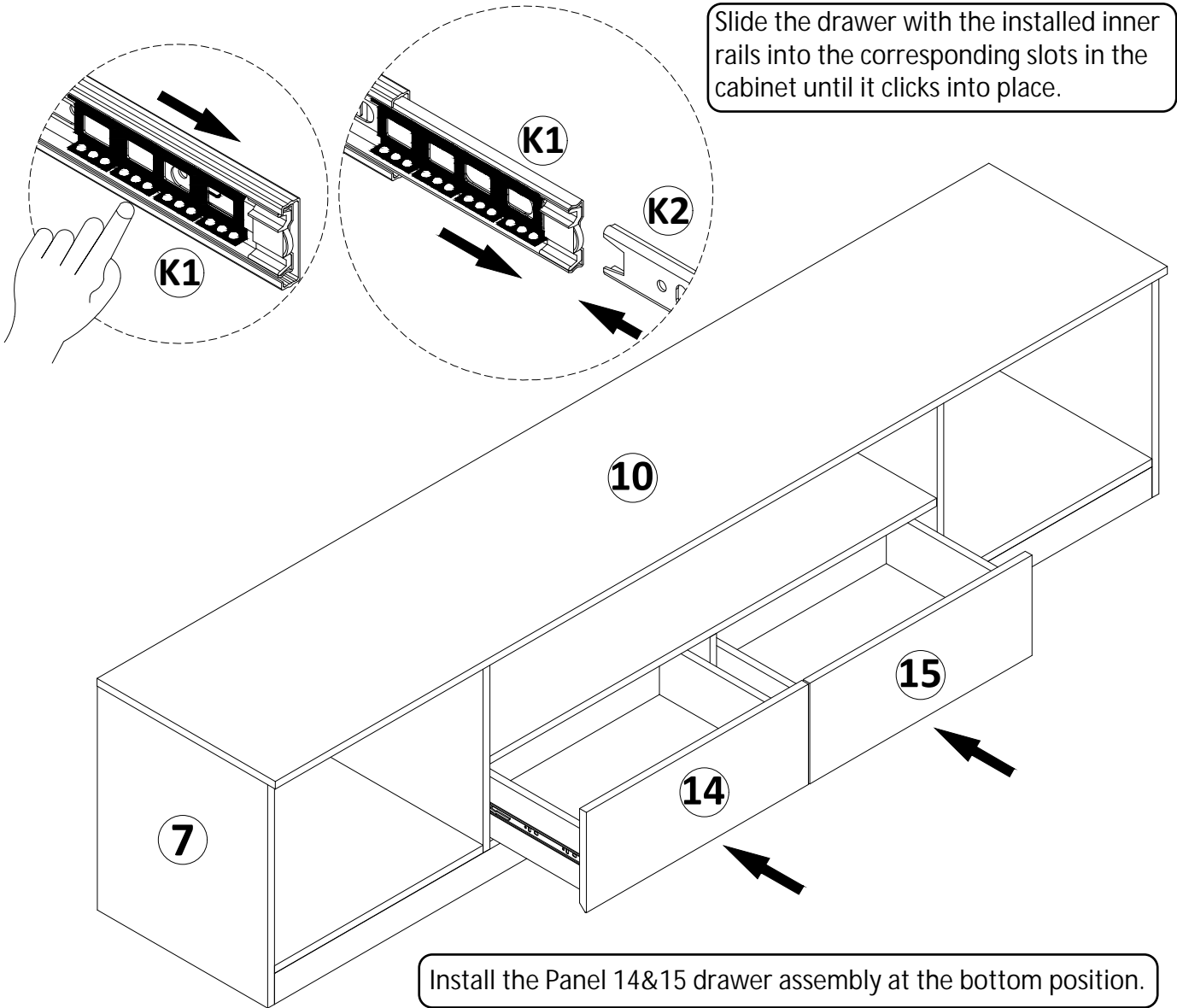
K2  **X4**

Note: Ensure the beveled edge of Panel 14/15 faces downward.



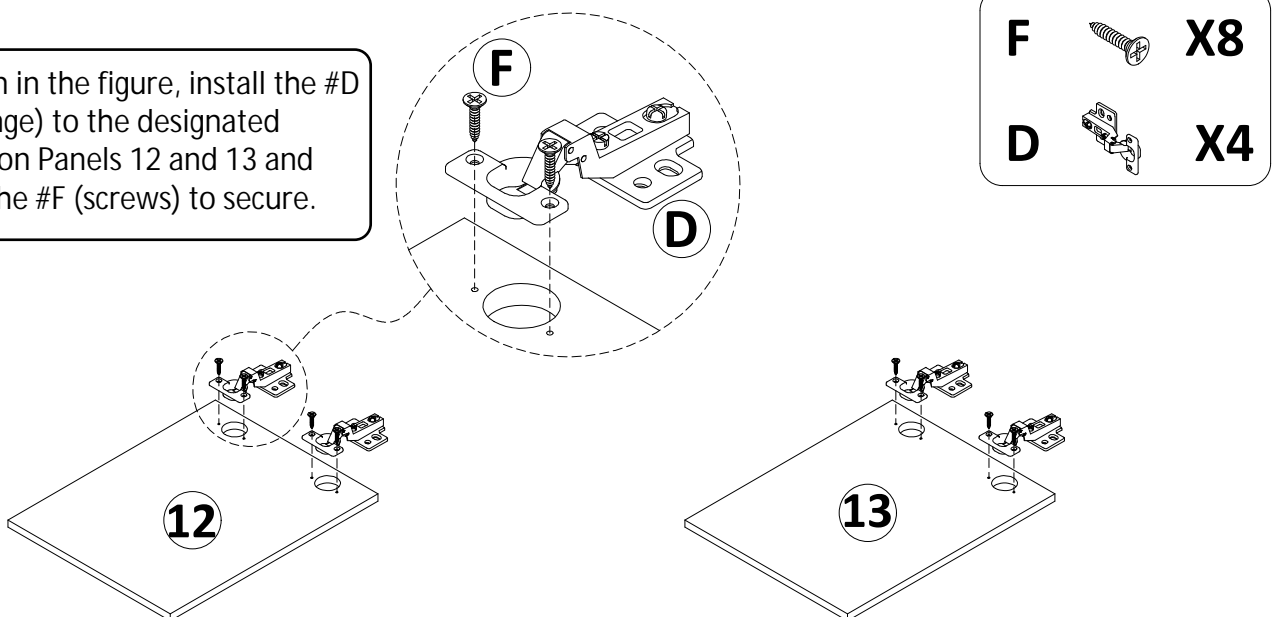
Step 16

Slide the drawer with the installed inner rails into the corresponding slots in the cabinet until it clicks into place.



Step 17

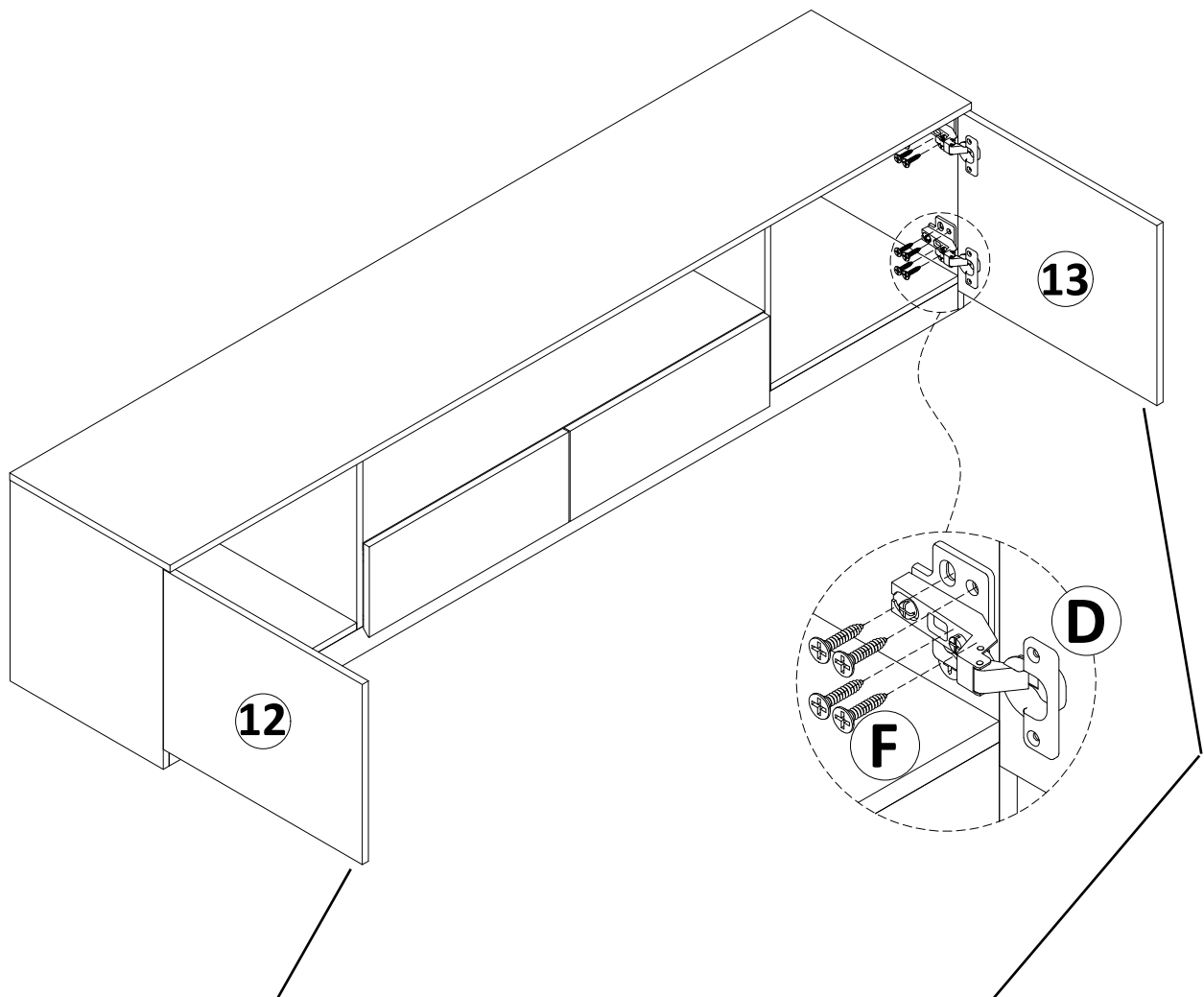
As shown in the figure, install the #D (door hinge) to the designated position on Panels 12 and 13 and tighten the #F (screws) to secure.



Step 18

F  **X16**

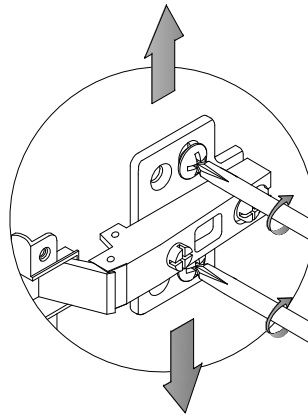
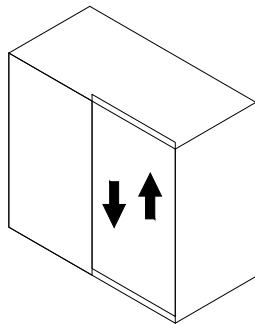
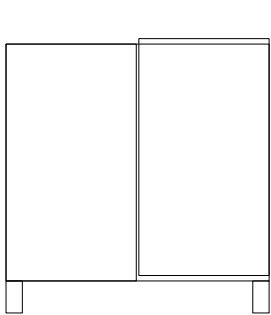
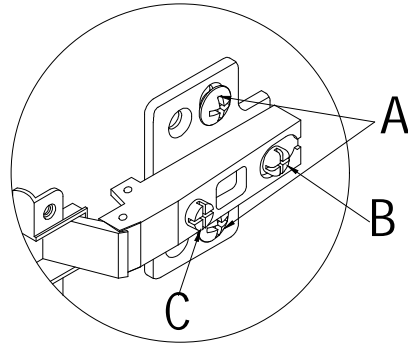
As shown, attach Panels 12 and 13 to the cabinet using #D (door hinges) and tighten with #F (screws). Please install Panels 12 and 13 as shown in the figure.



Note: Ensure the beveled edge of Panel 12/13 faces downward.

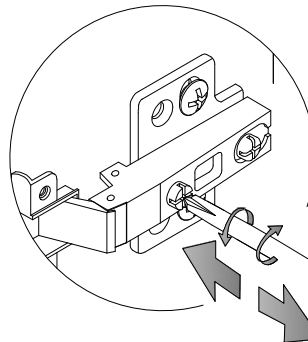
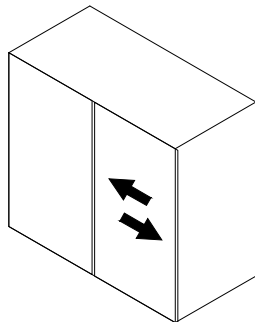
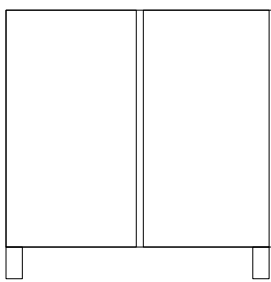
Step 19

Hinge Adjustment Diagram



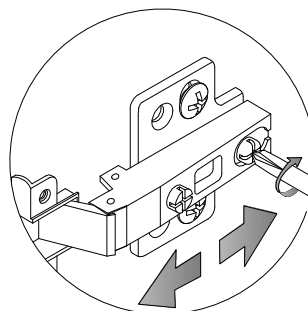
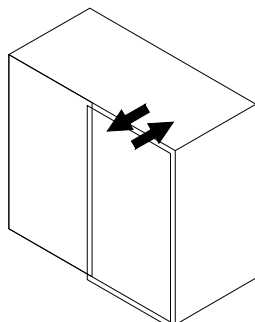
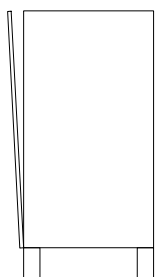
To adjust the vertical height.

Loosen the four screws labeled 'A' on both hinges. Two of these screws are usually in slotted holes, allowing for adjustment up or down by a few mm. After making the adjustment, tighten the screws back into place.



To adjust depth.

Loosen screw 'B' and adjust the door. If the door cannot be adjusted, loosen screw 'C' and try adjusting again. Once adjusted, tighten screws 'B' and 'C'.



To adjust side ways.

After loosening the 'C' screw, you can adjust the distance from the door to the cabinet. After the adjustment is completed, tighten the 'C' screw again.

Assembly Completed

