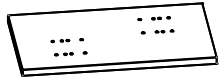


# ASSEMBLY INSTRUCTION

1. - 2PCS



2. - 1PCS



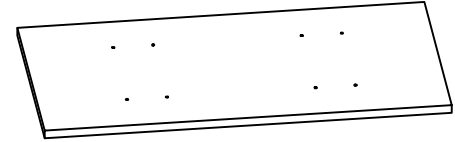
3. - 2PCS



4. - 2PCS



5. - 1PC



A. 12PCS\*MB\*16MM  
MBSCREWS



B. - 1PC



C. - 24PCS



D. 8PCS\*MB\*16MM  
MBSCREWS



E. 12PCS\*MB\*40MM  
MBSCREWS



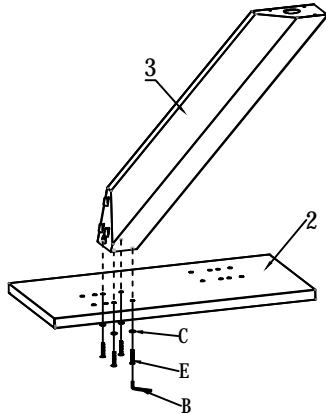
F. 4PCS\*MB\*50MM  
MBSCREWS



1

4HOLES

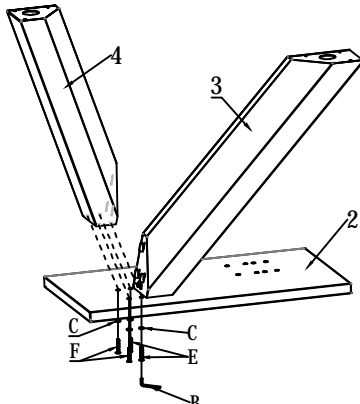
Screws: 4PCS\*MB\*40MM



2

4HOLES

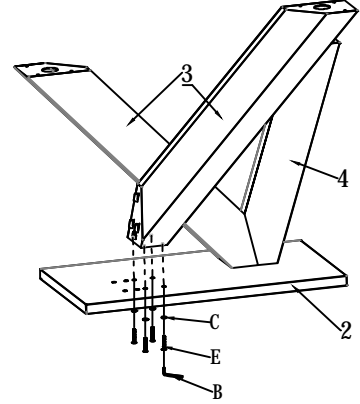
Screws: 2PCS\*MB\*40MM  
Screws: 2PCS\*MB\*50MM



3

4HOLES

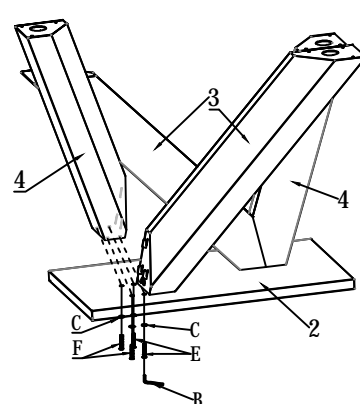
Screws: 4PCS\*MB\*40MM



4

4HOLES

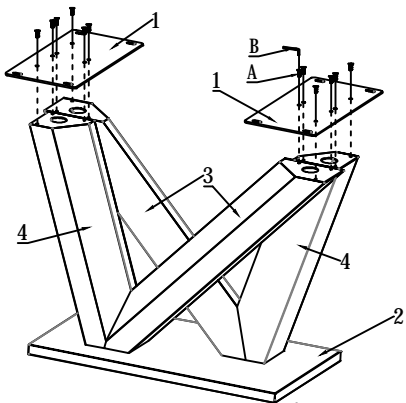
Screws: 2PCS\*MB\*40MM  
Screws: 2PCS\*MB\*50MM



5

12HOLES

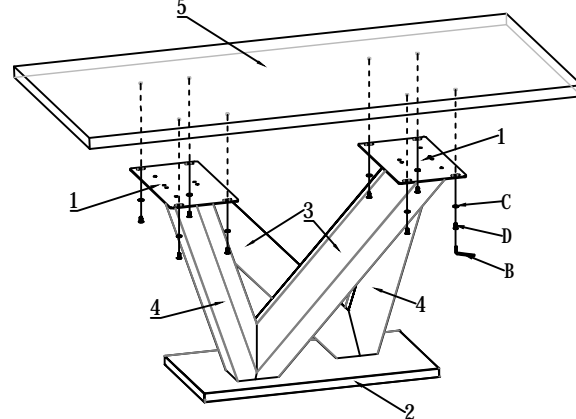
Screws: 12PCS\*MB\*16MM



6

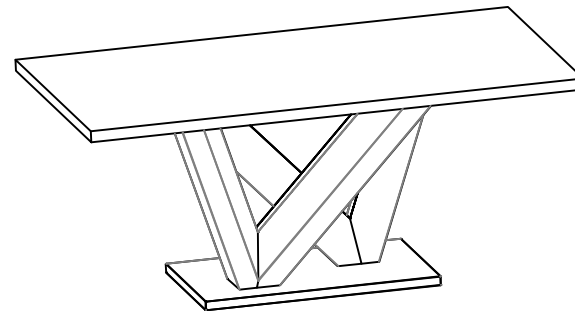
8HOLES

Screws: 8PCS\*MB\*16MM



7

COMPLETE



Note: Make sure all screws attached placing into right places before install tightly!!