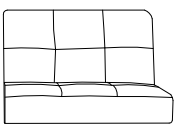
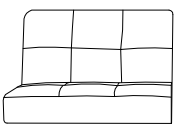



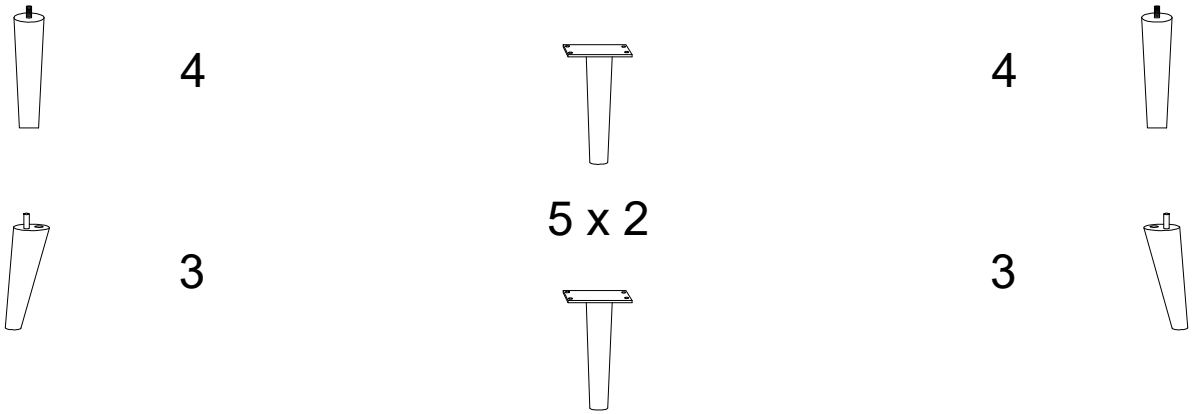
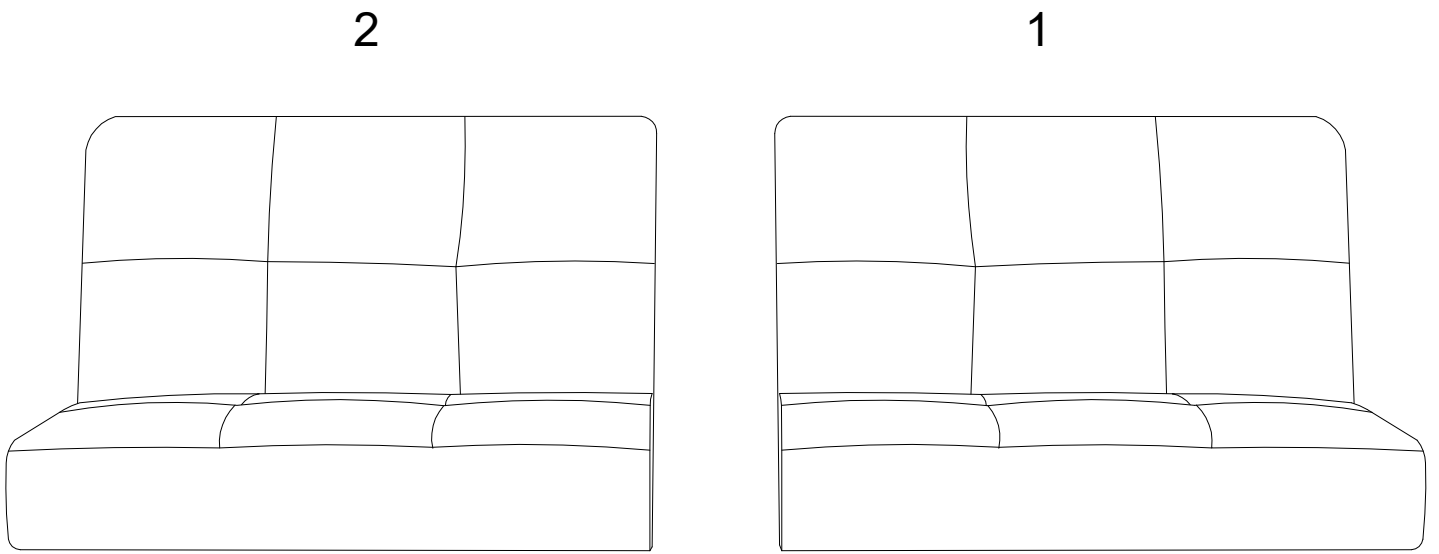
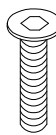
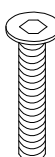
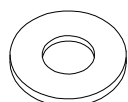
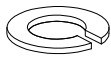
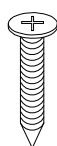
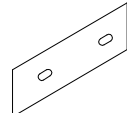
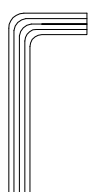


Assembly instructions for step 1/5:

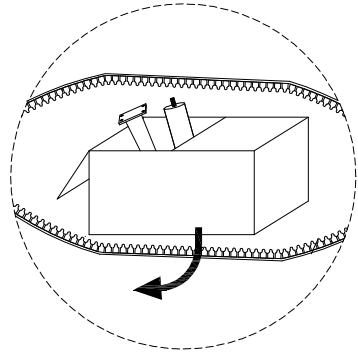
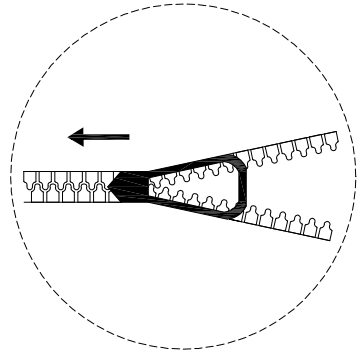
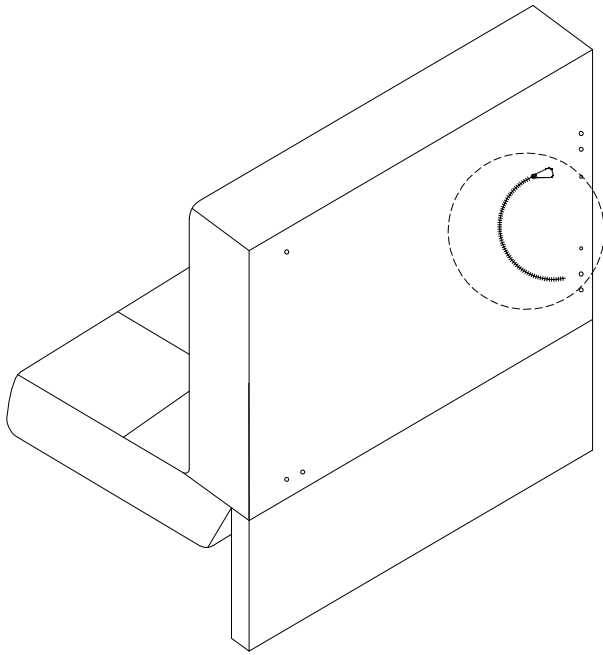
- Tools: A screwdriver and an Allen key are shown in a circle. A power drill is shown with a diagonal line through it, indicating it is not to be used.
- Warning: A triangle with an exclamation mark indicates a warning.
- Time: A clock icon is shown with the number 20' below it, indicating a 20-minute assembly time.
- Personnel: A person icon is shown with the number 1 below it, indicating that one person is required for assembly.

<b>1</b>	<b>2</b>	<b>3</b>	<b>4</b>	<b>5</b>
				
<b>x 1</b>	<b>x 1</b>	<b>x 2</b>	<b>x 2</b>	<b>x 2</b>

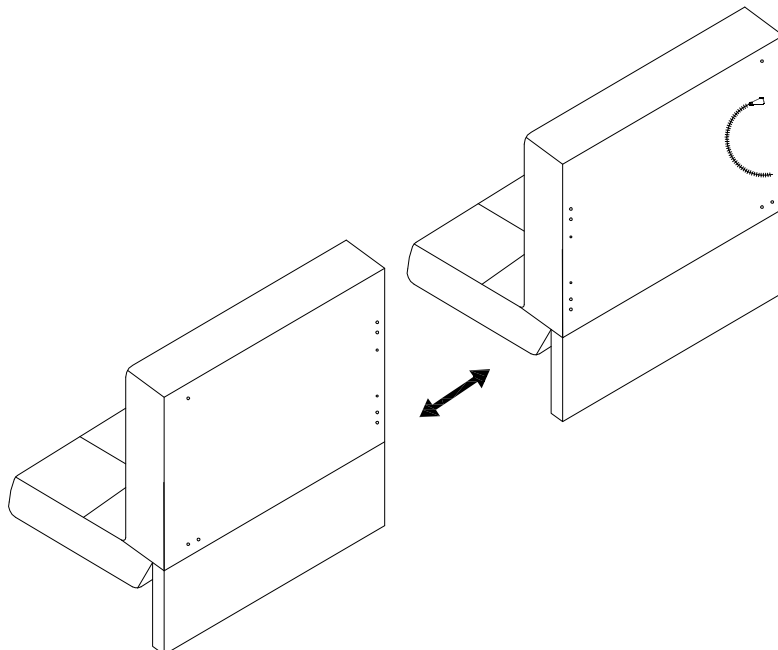
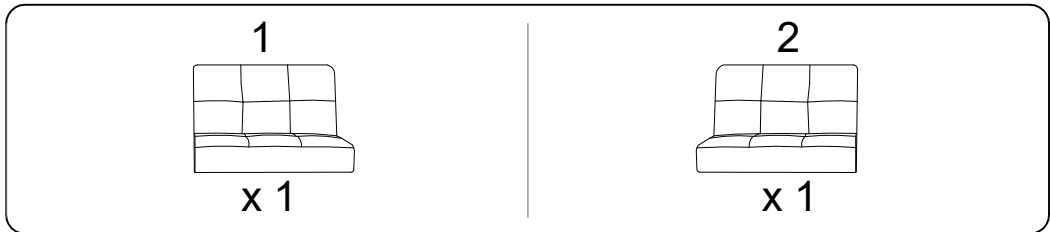


<b>A</b>	<b>B</b>	<b>C</b>	<b>D</b>	<b>E</b>	<b>F</b>	<b>G</b>
						
M8 x 40 <b>x 4</b>	M8 x 60 <b>x 2</b>	<b>x 6</b>	<b>x 2</b>	M4 x 20 <b>x 8</b>	<b>x 2</b>	<b>x 1</b>


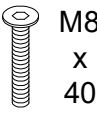
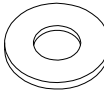

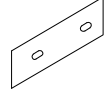
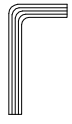
!

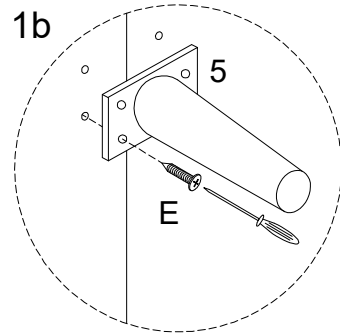
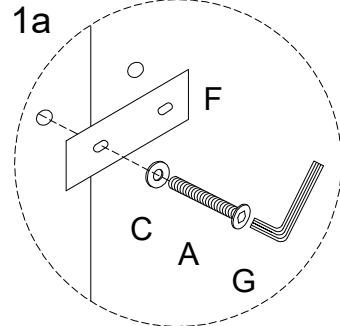
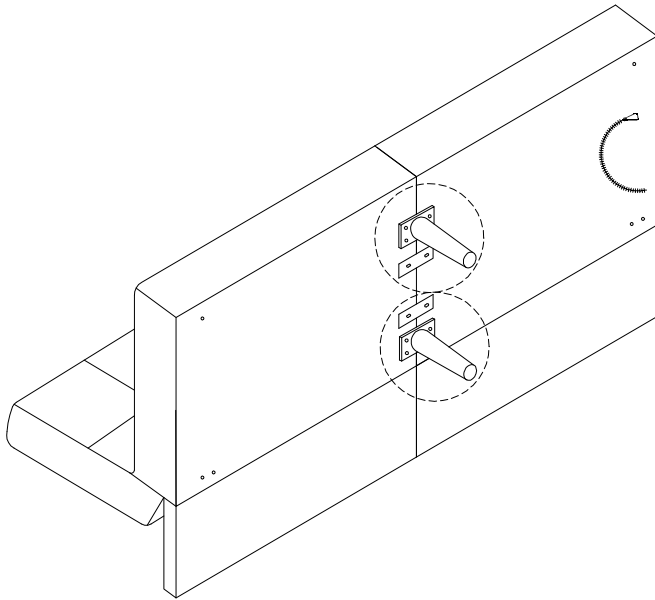


1



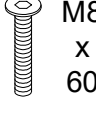
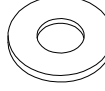
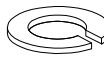
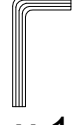


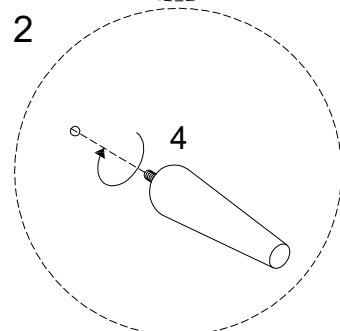
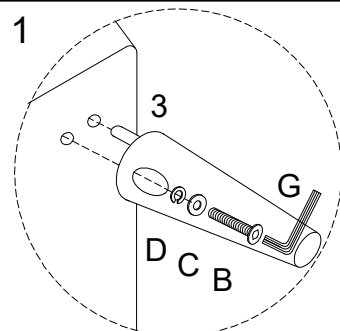
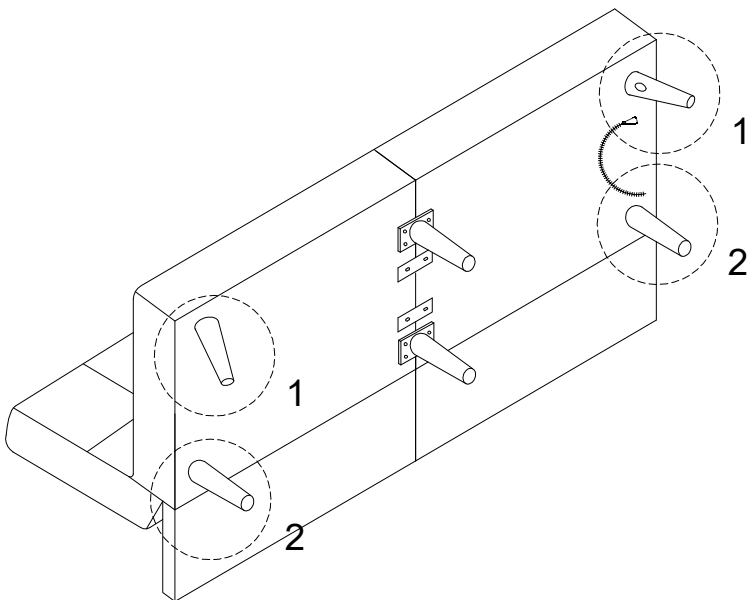
2

 x 2	 x 4	 x 4	 x 8	 x 2	 x 1
--	--	--	---	--	--



3

 x 2	 x 2	 x 2	 x 2	 x 2	 x 1
--	--	--	---	--	--



4

