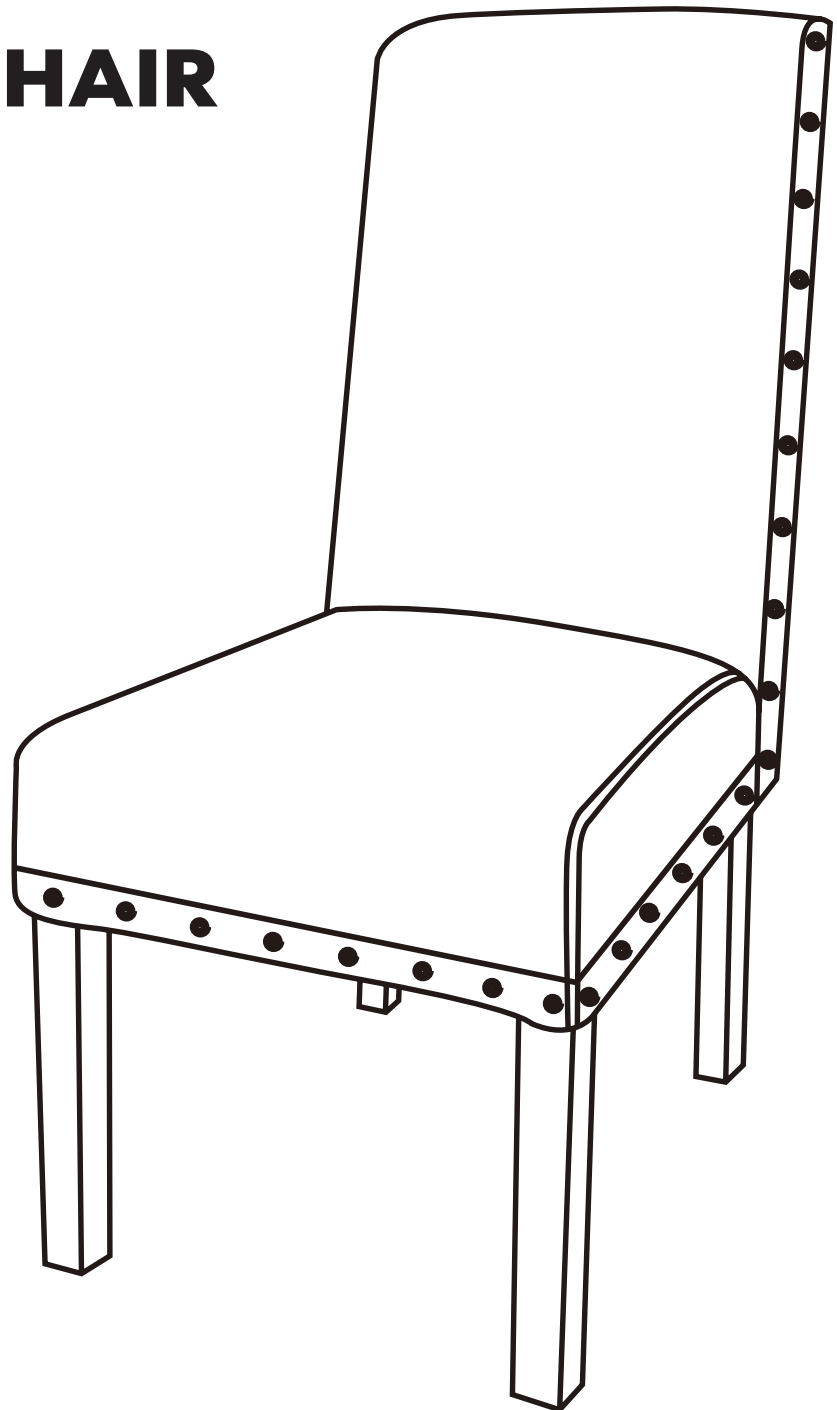




ASSEMBLY INSTRUCTION

DINING CHAIR



ASSEMBLY GUIDE

IMPORTANT SAFETY NOTICE: READ CAREFULLY BEFORE BEGINNING ASSEMBLY!



Follow the assembly steps in order. **DO NOT** skip any steps.



Always using proper tools. **DO NOT** use power tools to assembly.



Be sure to check all packing materials carefully before start, if parts are missing, please contact us to obtain any missing parts. **DO NOT USE SUBSTITUTE PARTS.**



Keep the instructions and extra materials for future reference.

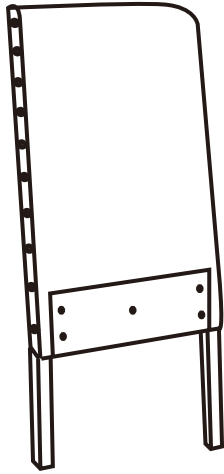


Periodically check to ensure that all connectors (bolts, screws, etc.) are tight, please keep the Allen key whenever needed.



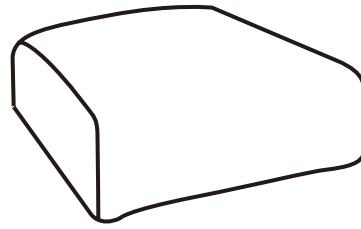
Where assembly instructions state that the assembly requires two or more people, **DO NOT** attempt by yourself as there is a risk of injury.

PACKAGE LIST



Back Cushion

1 X1



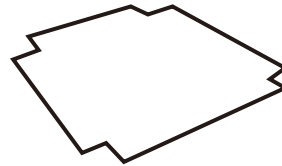
Seat Cushion

2 X1



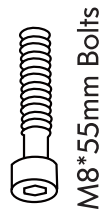
Front Legs

3 X2



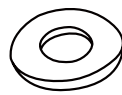
Seat Back Cover

4 X1



M8*55mm Bolts

A X9



Flat Washer

B X9



Lock Washer

C X9

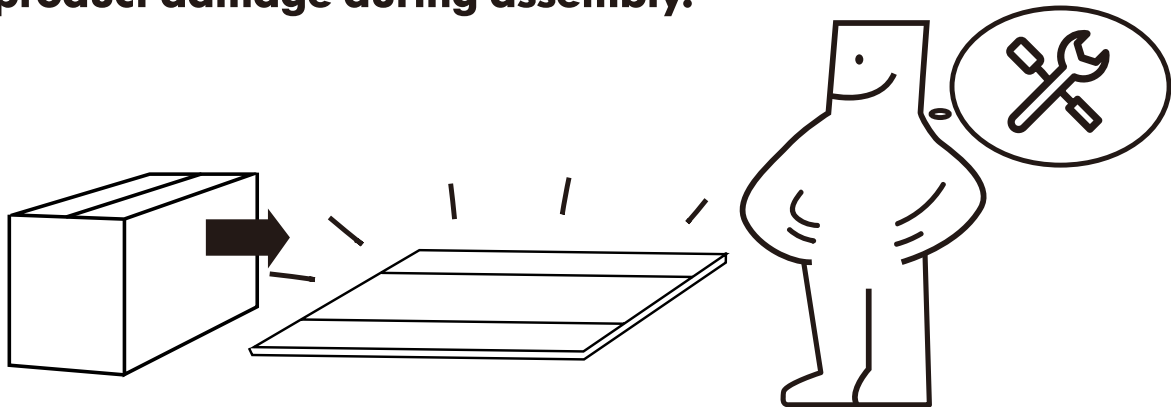


Allen Key

D X1

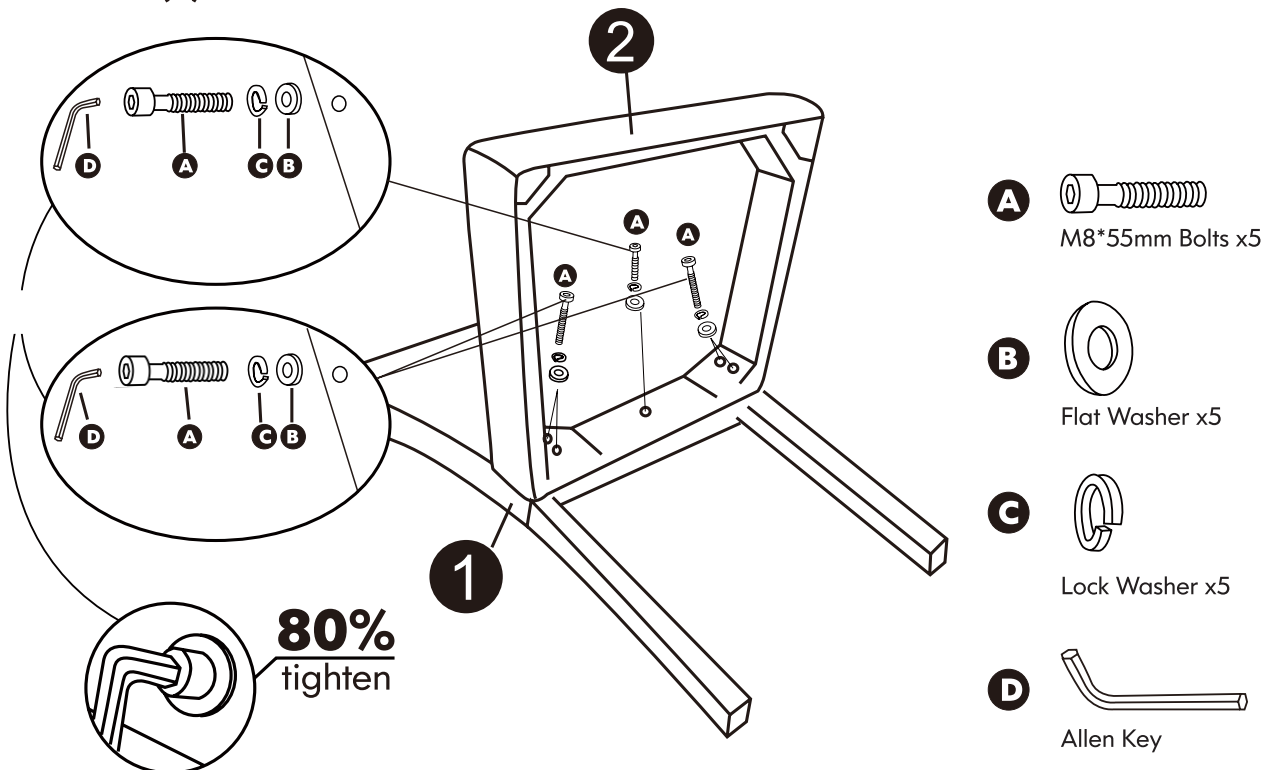
ASSEMBLY INSTRUCTIONS

Use the carton/carpet as a working surface to prevent product damage during assembly.



STEP 1

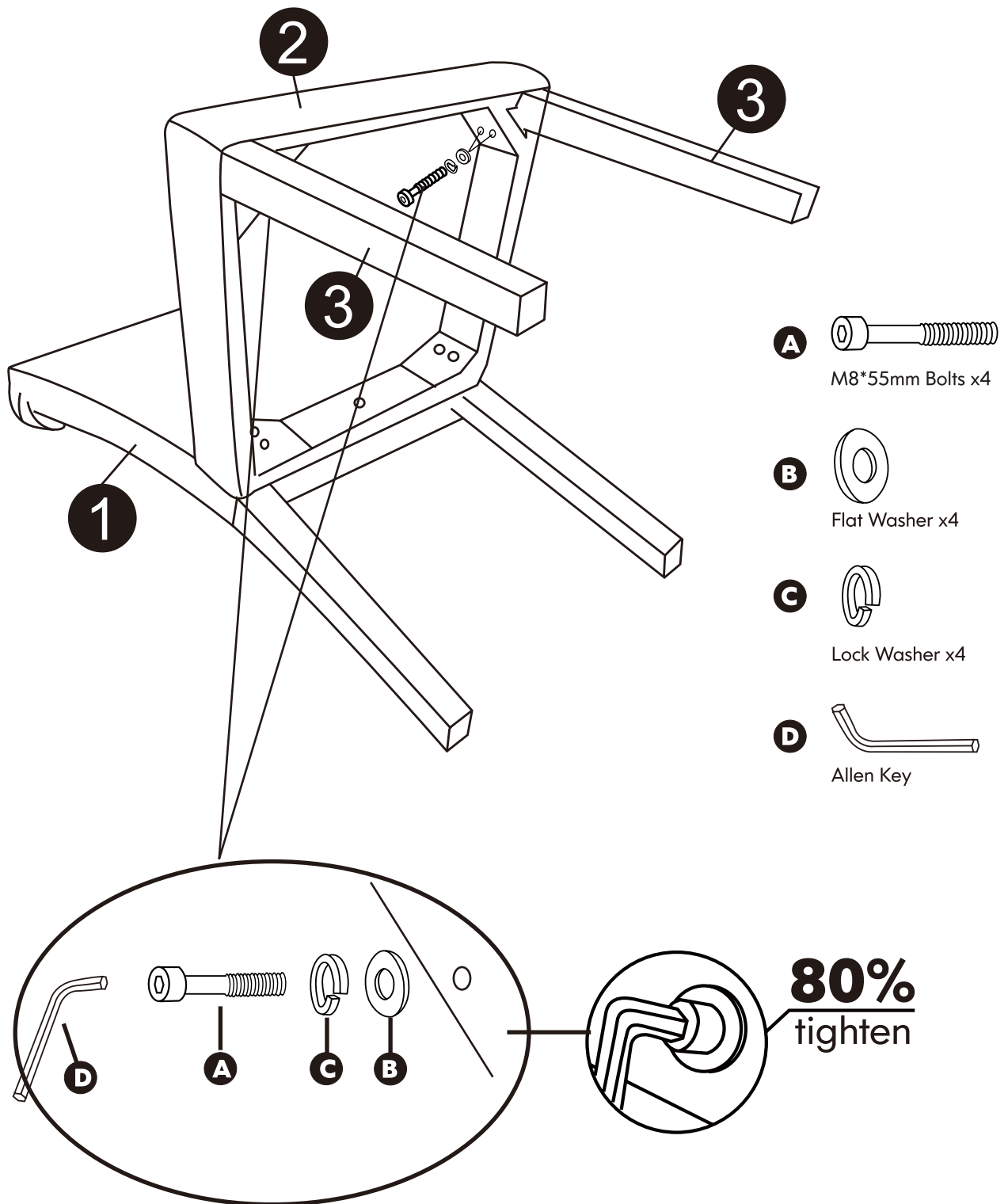
Attach the Back Cushion(1) and Seat Cushion(2) with FOUR Bolts(A) on the two sides, One Bolt(C) in the middle, using the Allen Key(F), all bolts need to connect Lock Washer(E) and Flat Washer(D) before insert.



DO NOT over tighten the bolts, 80% is enough.

STEP 2

Attach Two Front Legs(3) and Seat Cushion(2) with FOUR Bolts(B) by using the Allen Key(F), All bolts need to connect Lock Washer(E) and Flat Washer(D) before insert.



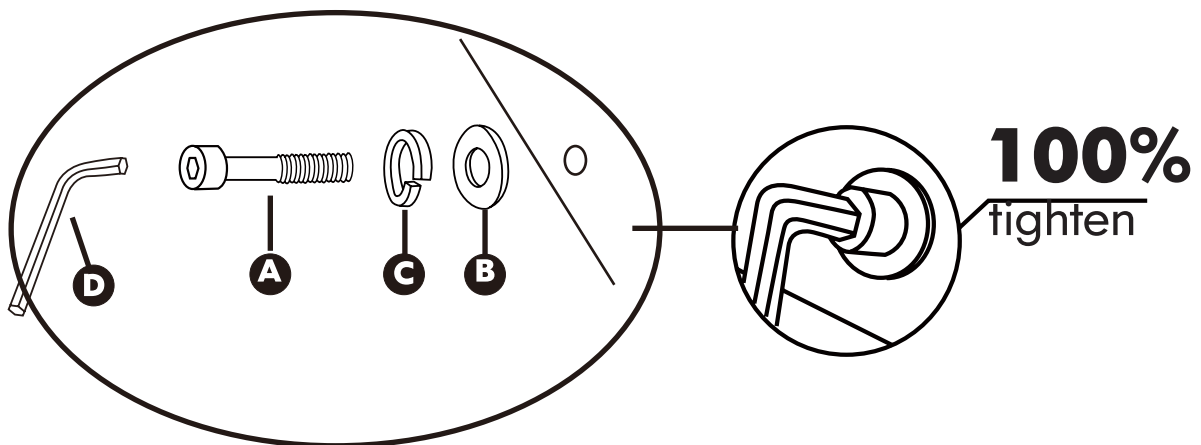
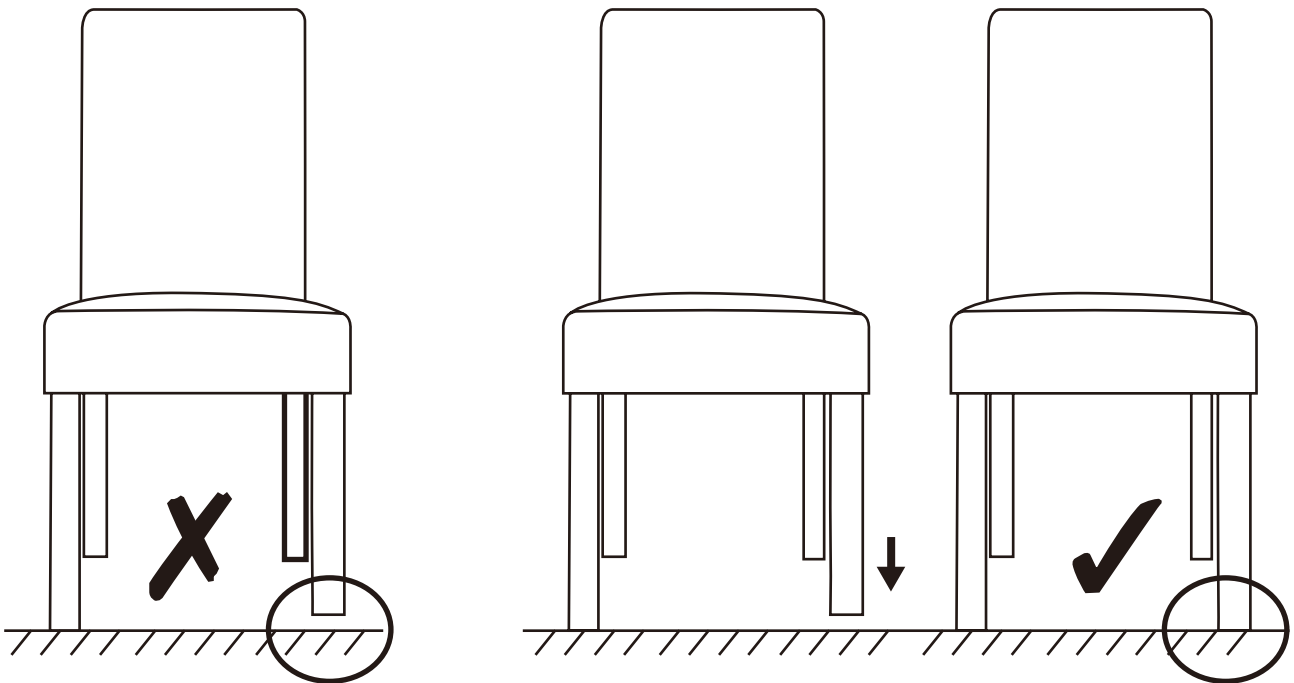
DO NOT over tighten the bolts, 80% is enough.

STEP3

Place the chair on a **LEVEL SURFACE** to see if it wobbles or not. If not, tighten all bolts sequentially, do not tighten any screw fully and then towards the next one, this would cause the frame to warp.

If it wobbles, lift the chair to 30cm to 50cm height from the ground. Keep your feet and toes well away from the drop zone. Drop the chair freely and vertically with the four legs, hitting the ground, at the same time. This Drop Test will help to ensure that all the bolts and gaps to all reach full alignment status. Test again for evenness on a **LEVEL SURFACE**. If no wobbles found, proceed to tighten all the bolts.

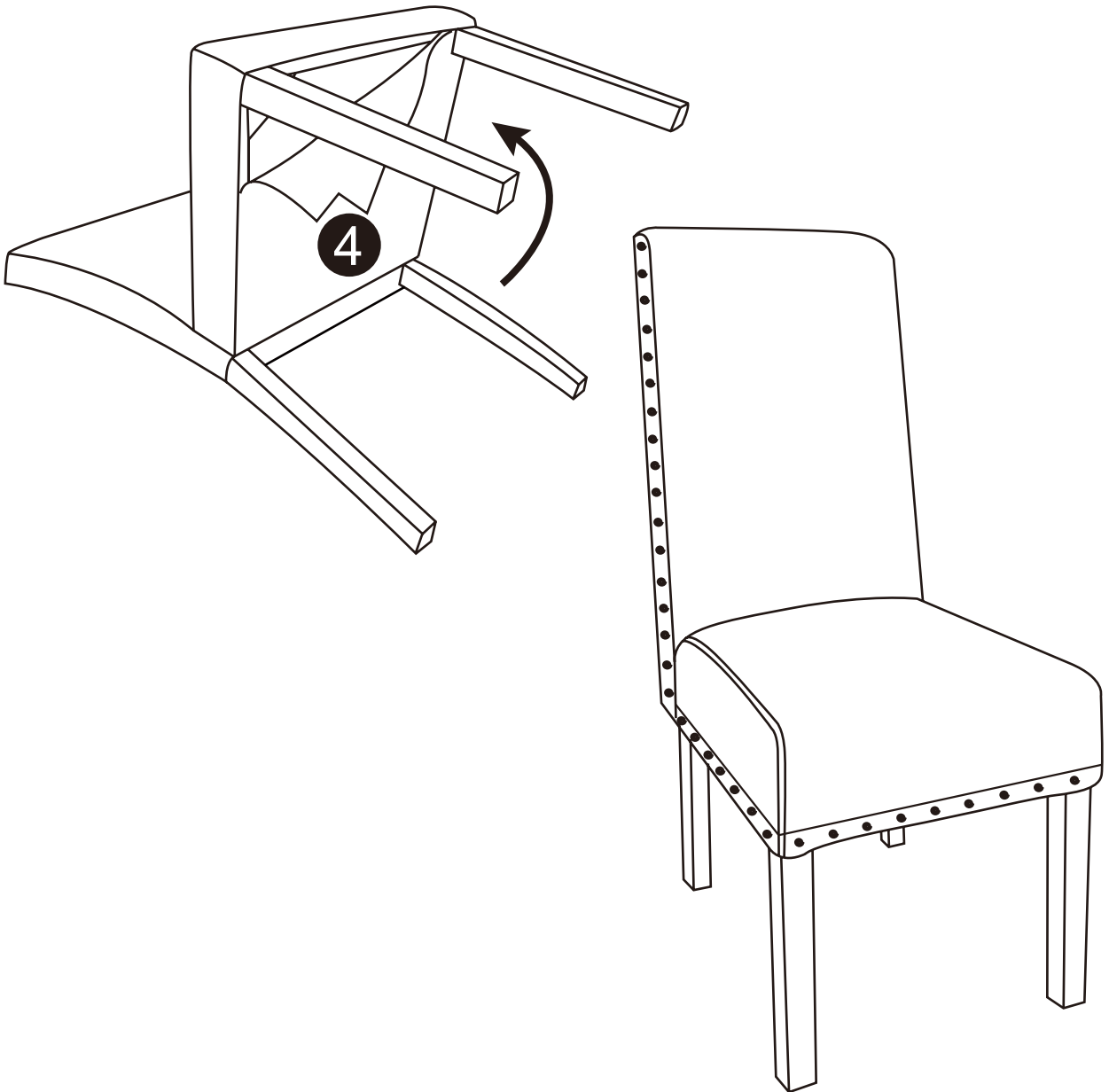
If there is still wobbles, loosen the bolts and execute this same drop tests.



WARNING!! IF CHAIR IS NOT STABLE , DO NOT USE, IT COULD LEAD TO DAMAGING THE PRODUCT.

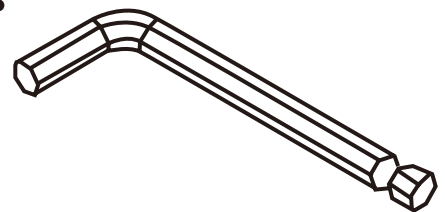
STEP4

Finally, seal the Seat Base Cover (4) back on to the underside of the chair seat.



A friendly reminder from us:

**Please keep the Allen wrench.
After a period of time, there may be a chance
the KD furniture may become loose, please
use an Allen wrench to tighten the loose bolts.**



CARE & MAINTENANCE



DO NOT PUT HOT ITEMS DIRECTLY ON FURNITURE SURFACE.



DO NOT CLEAN FURNITURE WITH HARSH CLEANSERS OR POLISH.



DO NOT PLACE FURNITURE UNDER DIRECT SUNLIGHT.



DO NOT PLACE FURNITURE NEAR HEATING OR COOLING VENTS.



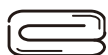
DO NOT WRITE ON FURNITURE WITHOUT A PADDED BARRIER TO PROTECT THE SURFACE.



DO NOT PLACE FURNITURE OUTSIDE, FOR INDOOR USE ONLY.



STAINS MAY BE REMOVED WITH MILD SOAP SOLUTION AND DAMP CLOTH.



DUST AND PICK-UP SPILLS USING A CLEAN, NON-COLORED, LINT-FREE CLOTH.

- **DO NOT** stand on the chair. **DO NOT** use the chair as stepladder.
- Use this product for seating one person at a time.
- **DO NOT** use the chair unless all bolts and screws are firmly secured.
- Avoid contact with sharp objects to prevent puncturing the fabric.
- Every 6 months or whenever needed, check all bolts and screws to ensure they are tight.
- Chair weight limit not to exceed **250 LBS.**