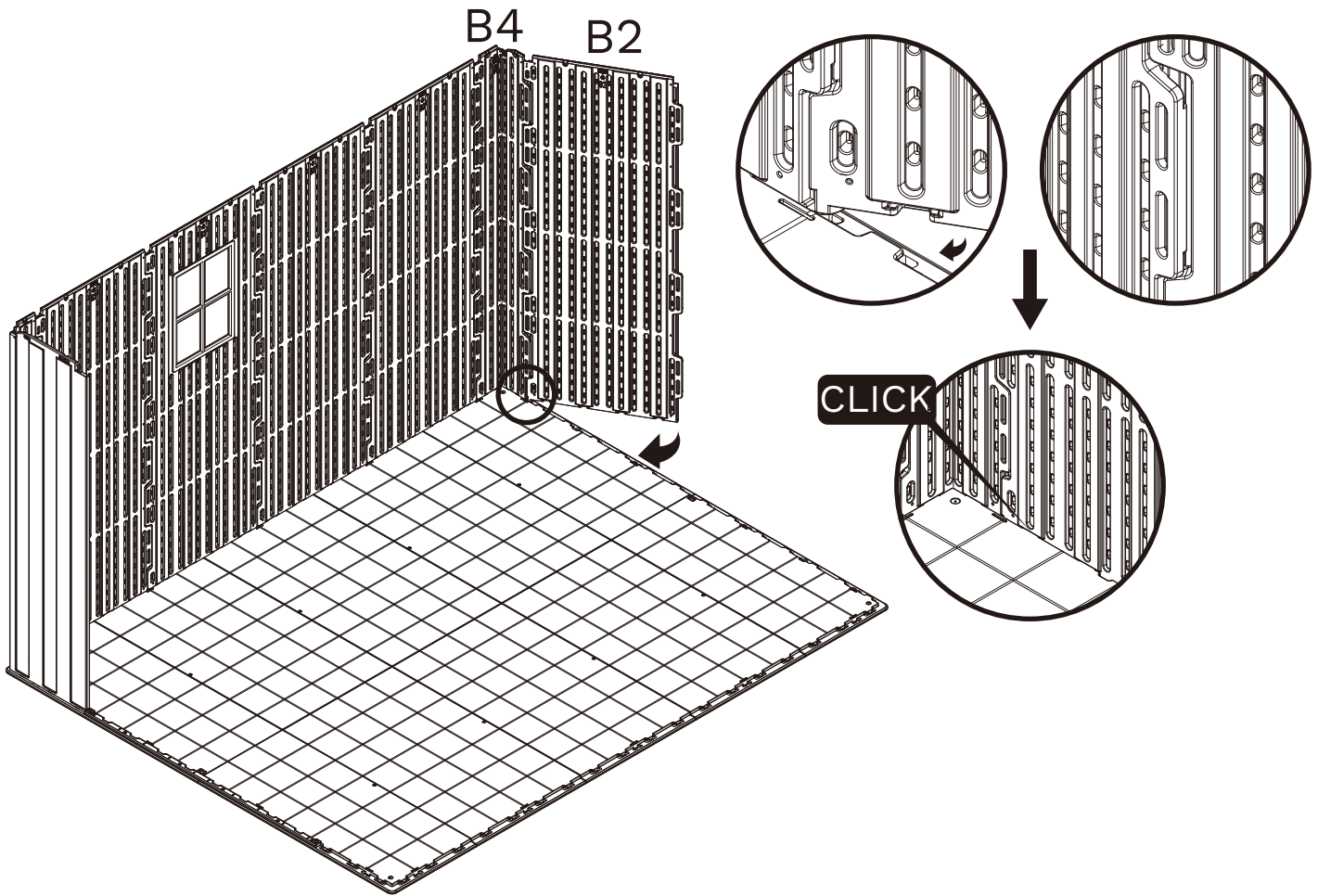
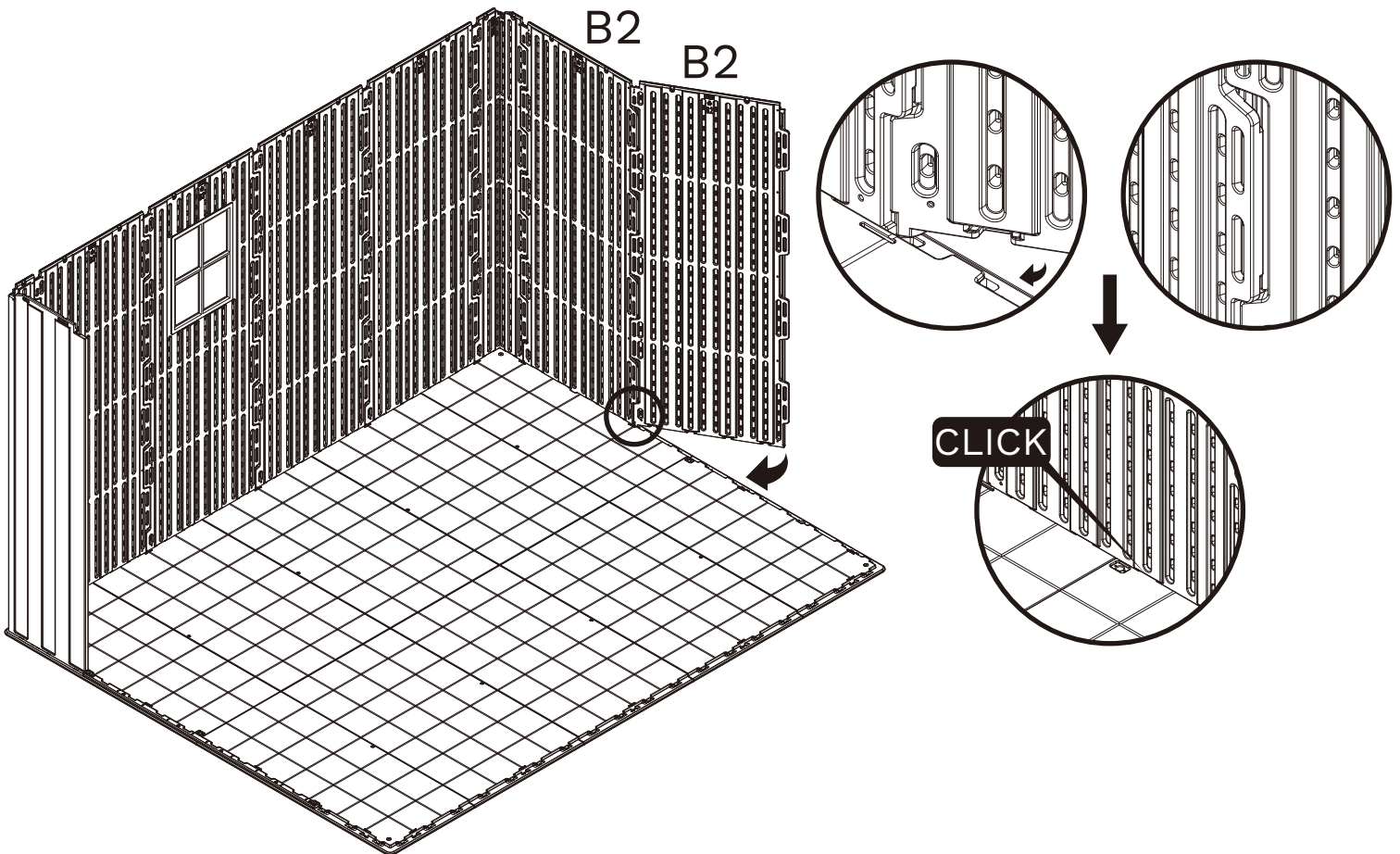


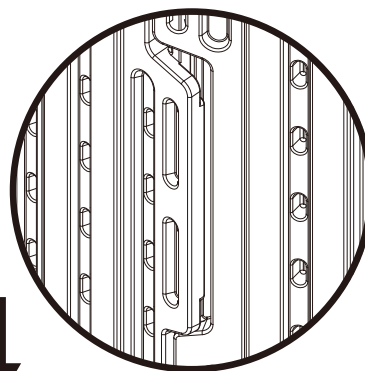
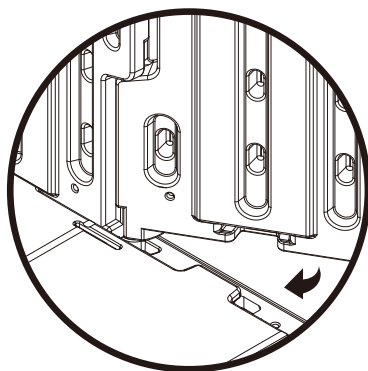
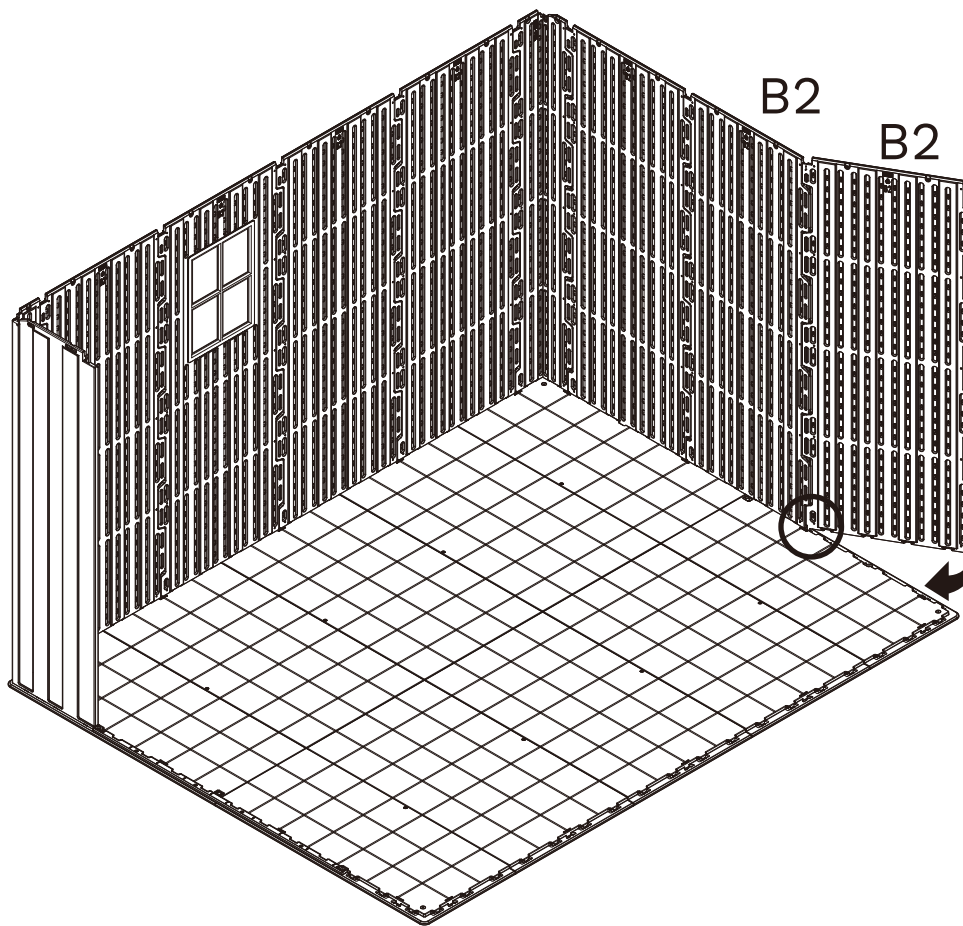
STEP 21



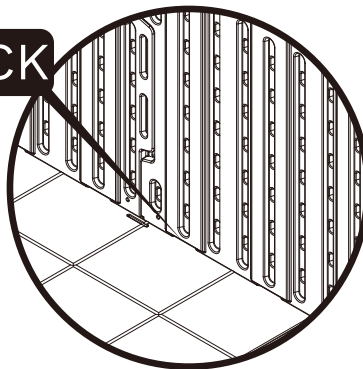
STEP 22



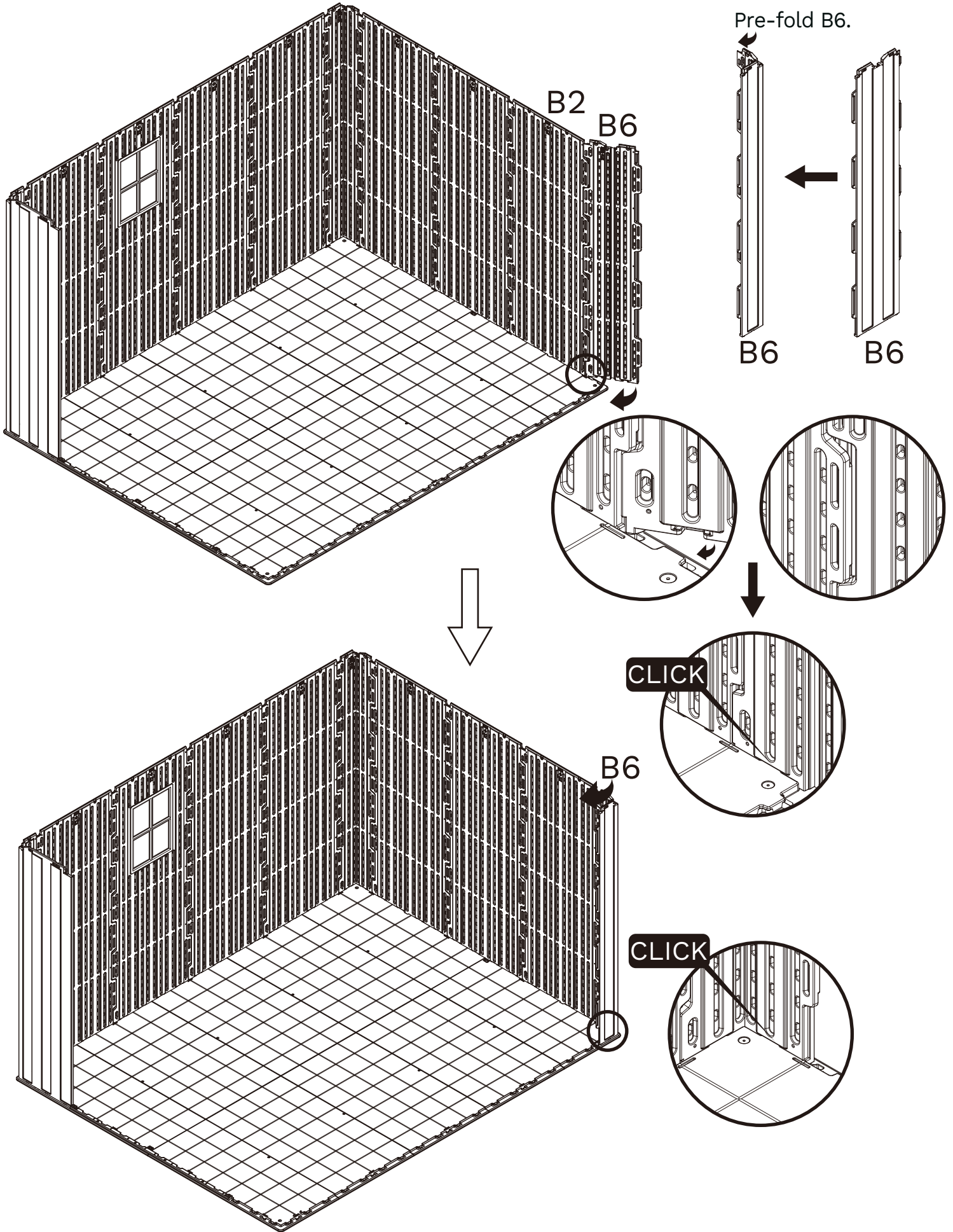
STEP 23



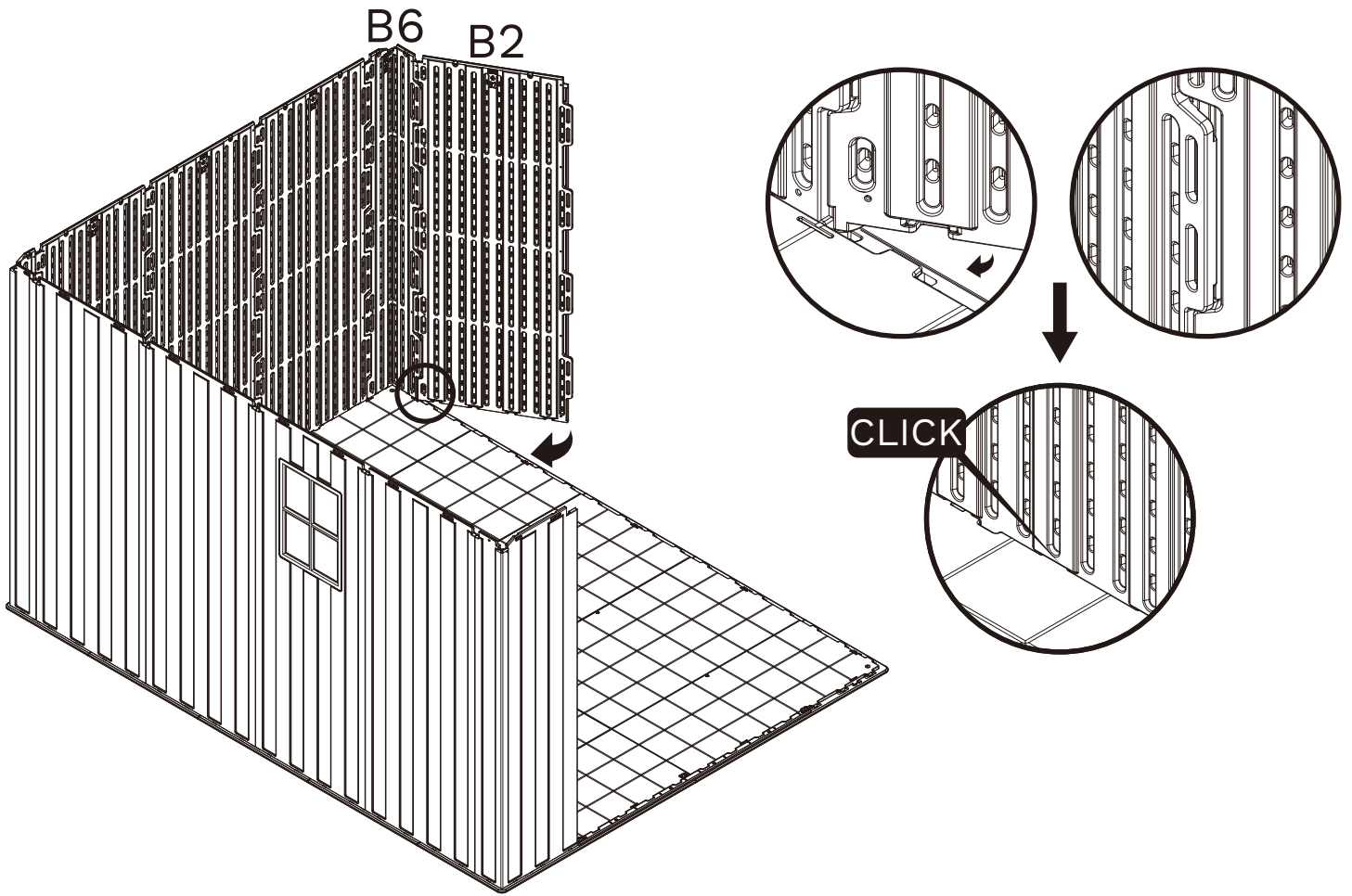
CLICK



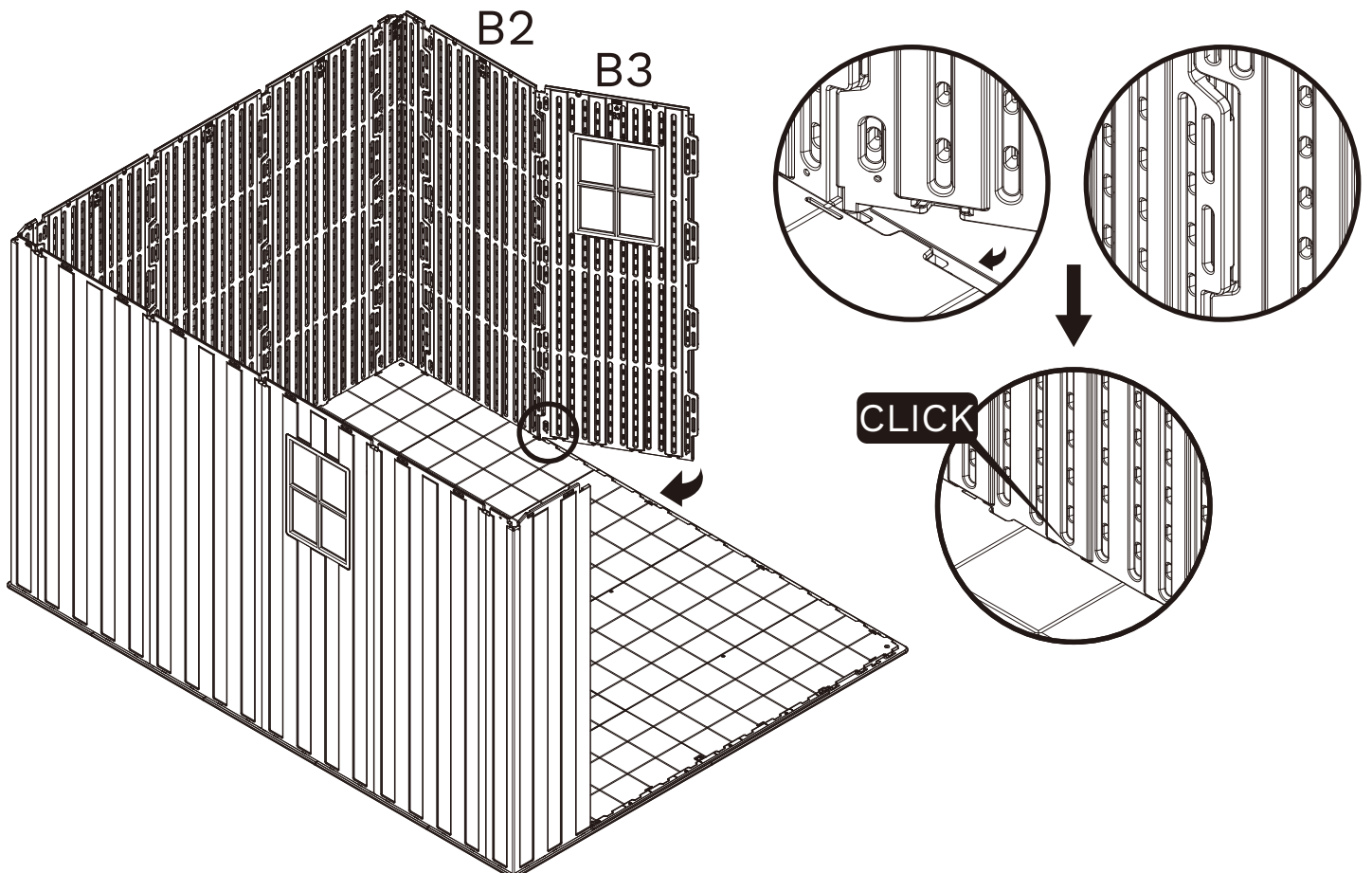
STEP 24



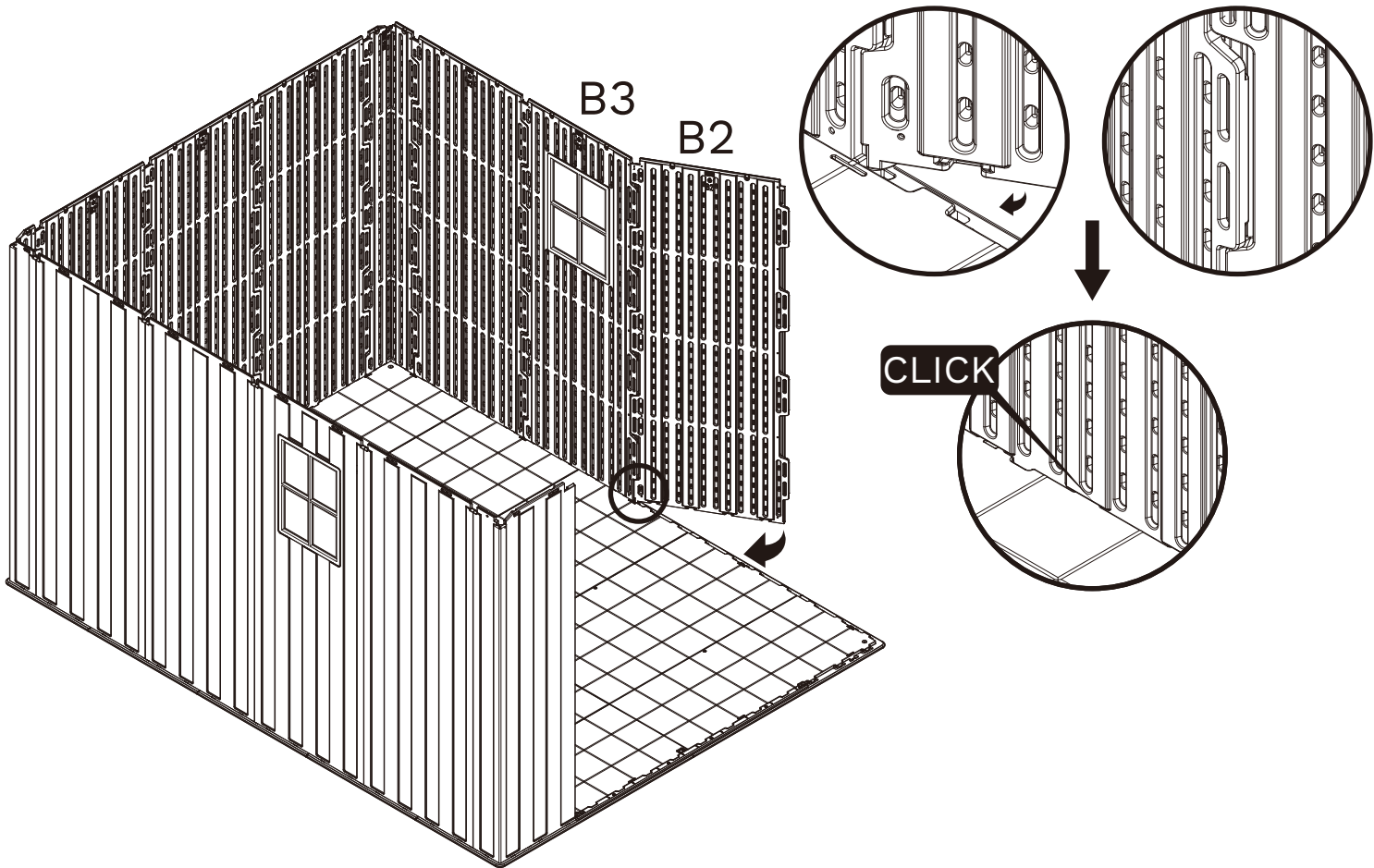
STEP 25



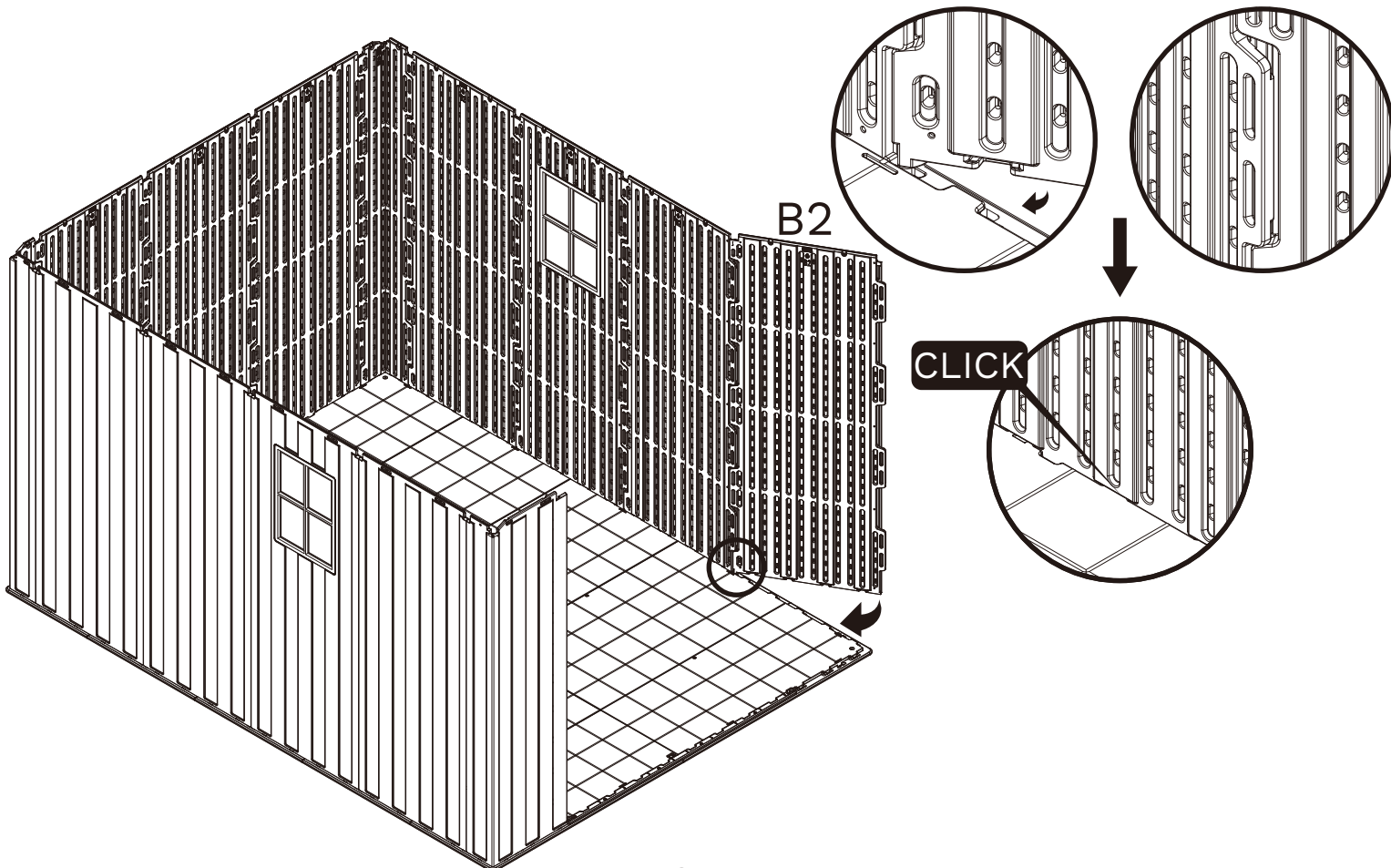
STEP 26



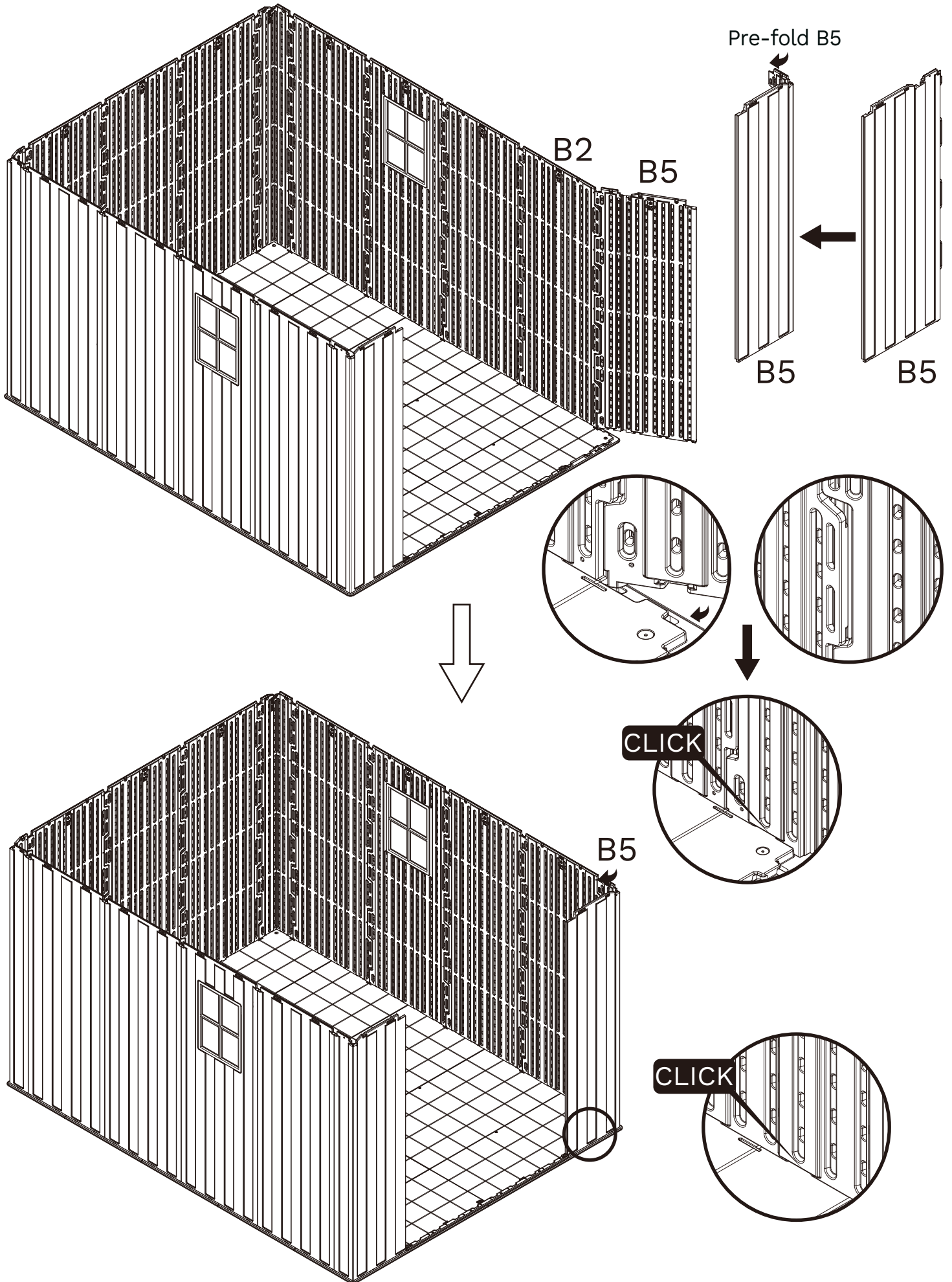
STEP 27



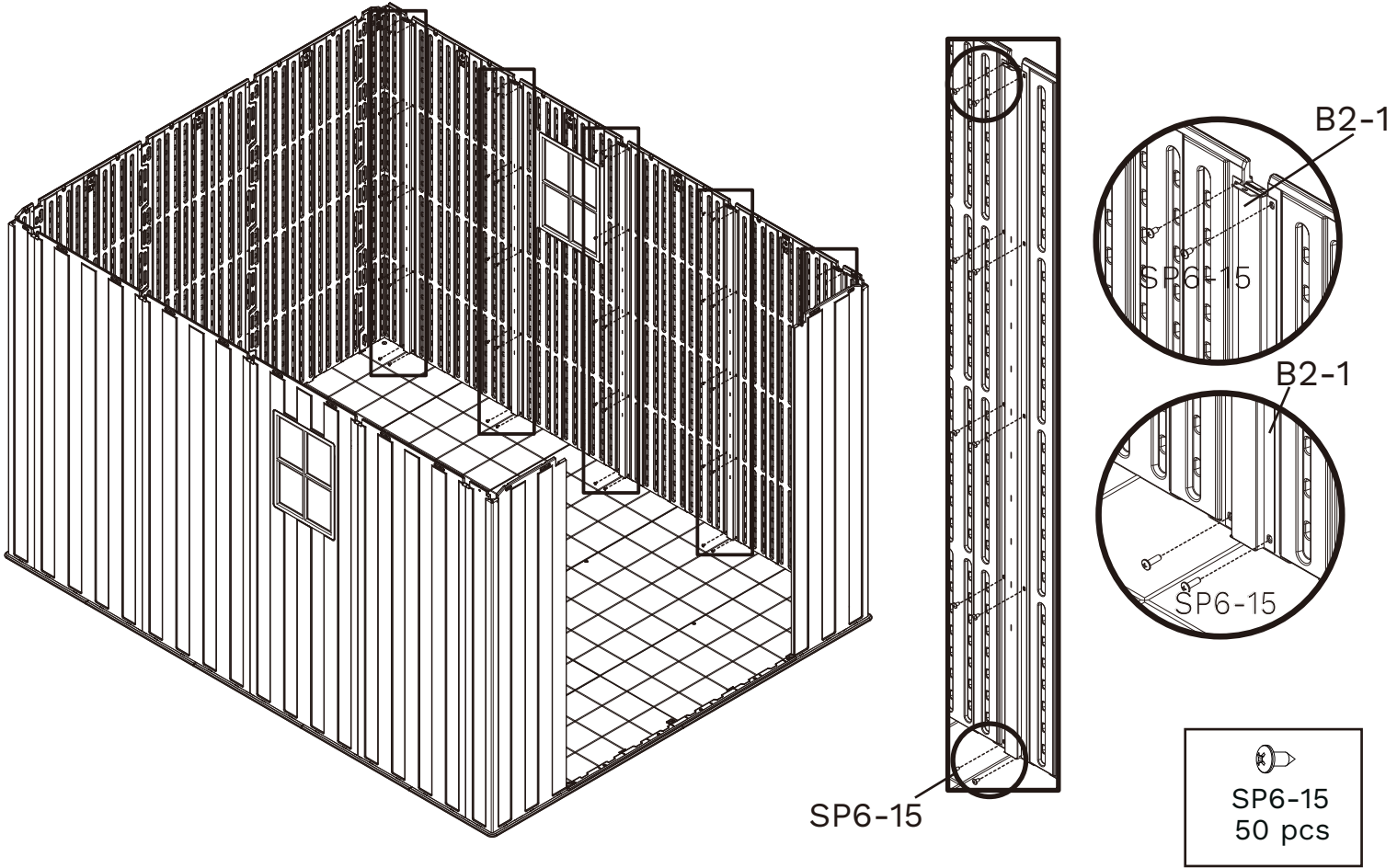
STEP 28



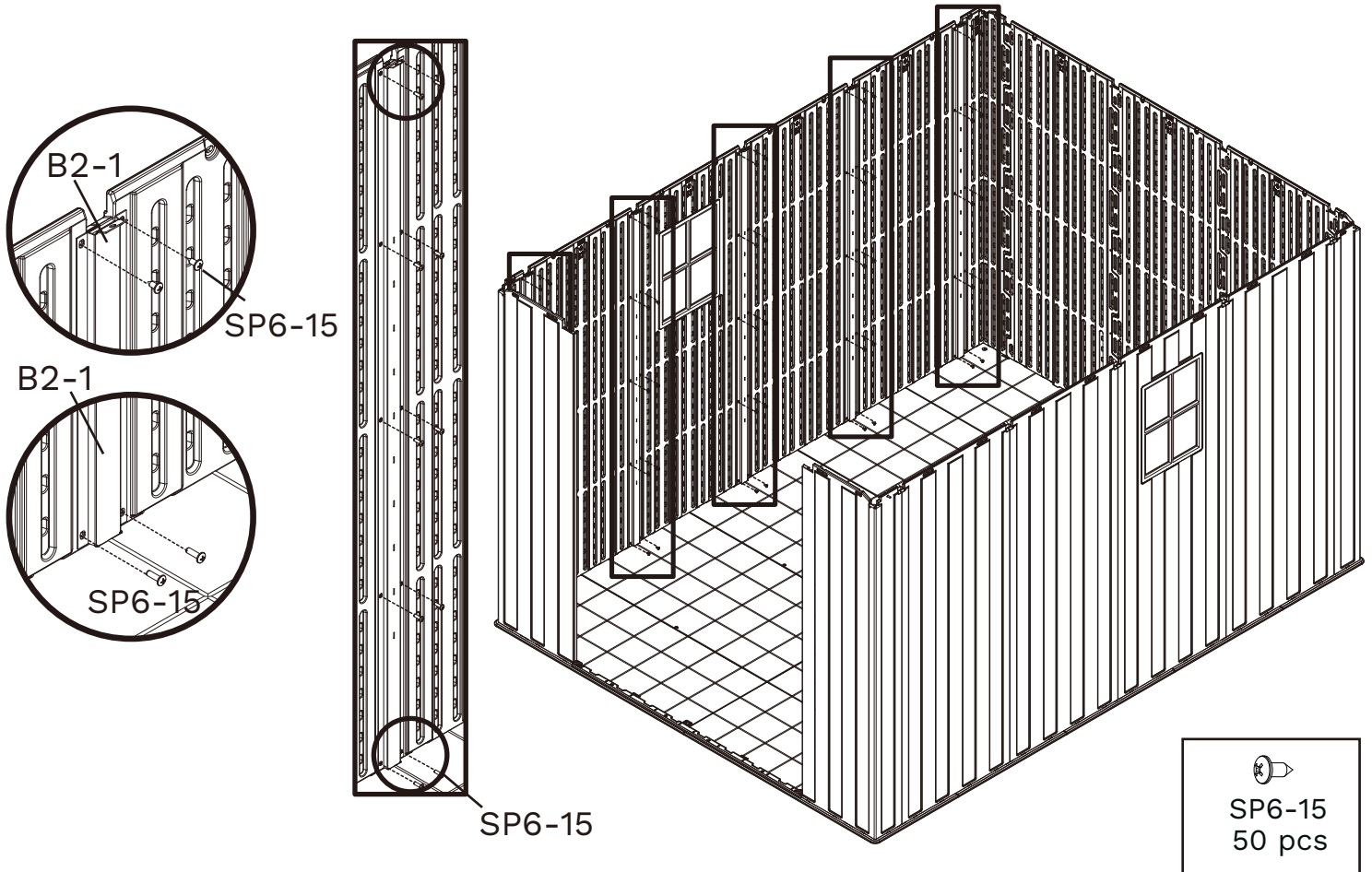
STEP 29



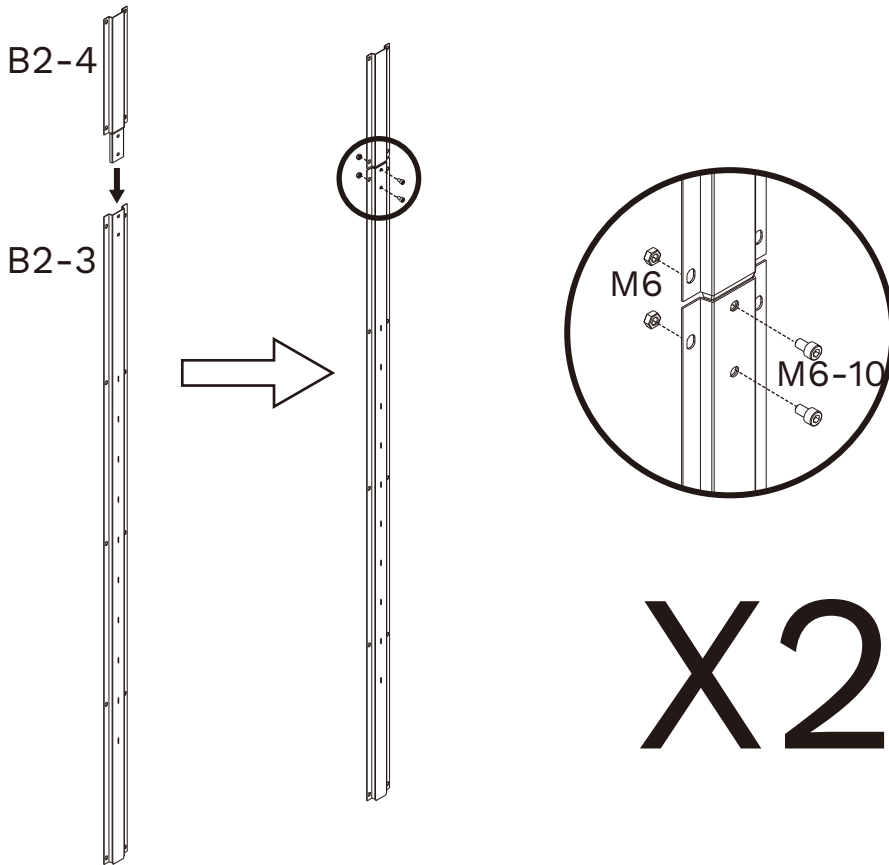
STEP 30



STEP 31

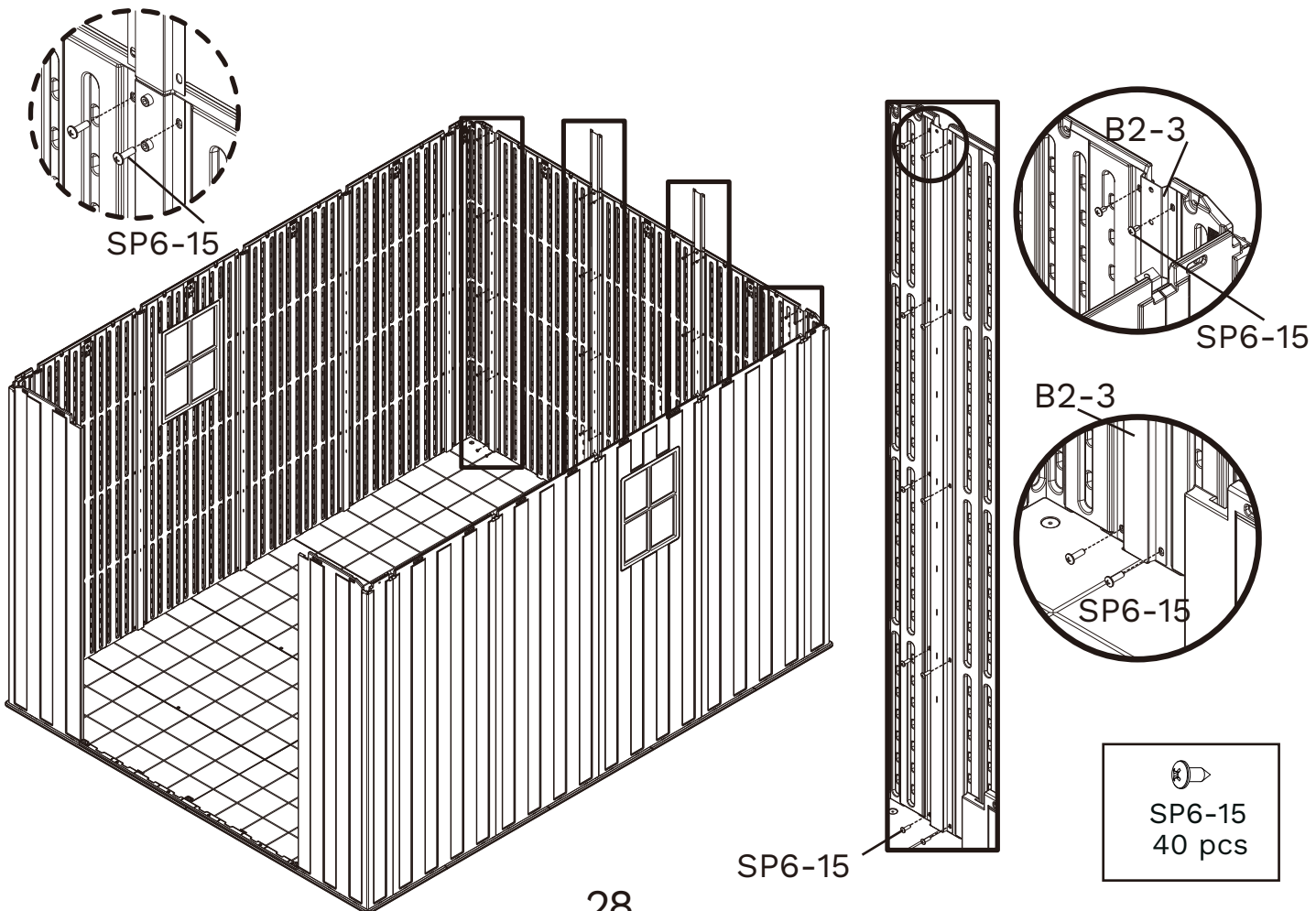


STEP 32



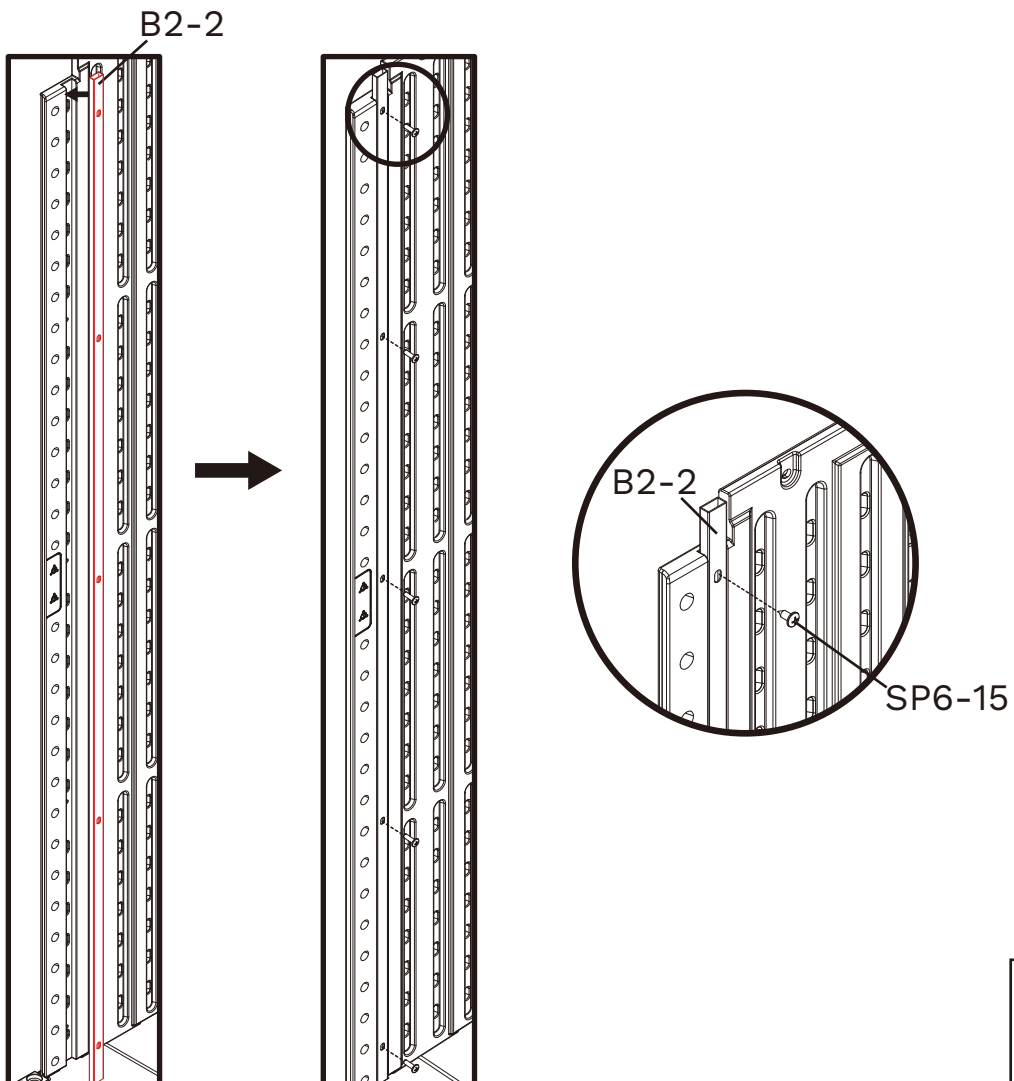
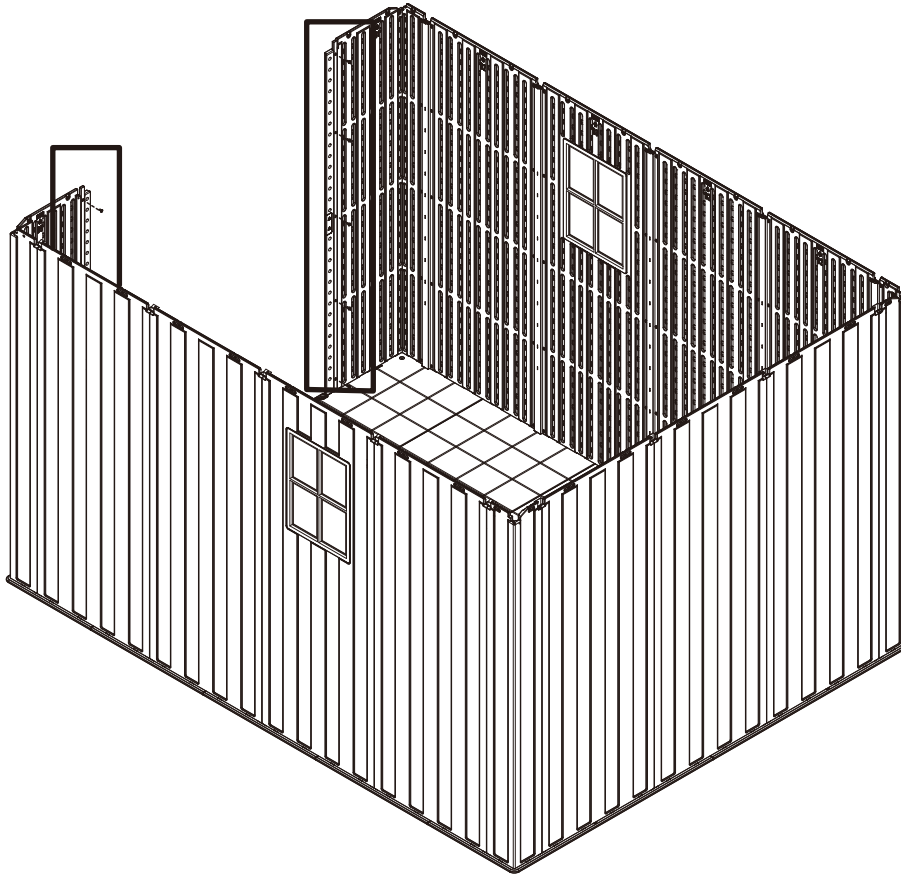
M6-10 4 pcs	M6 4 pcs


STEP 33

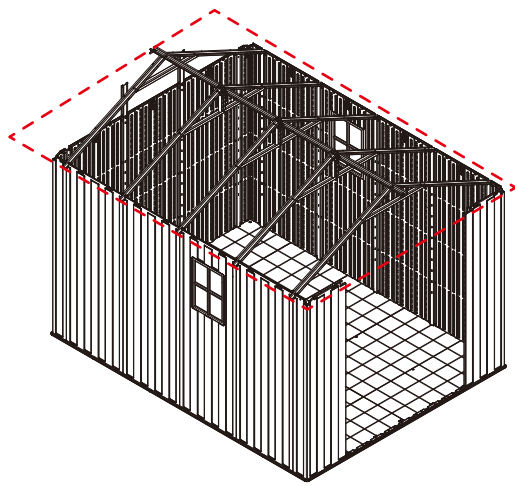


SP6-15 40 pcs

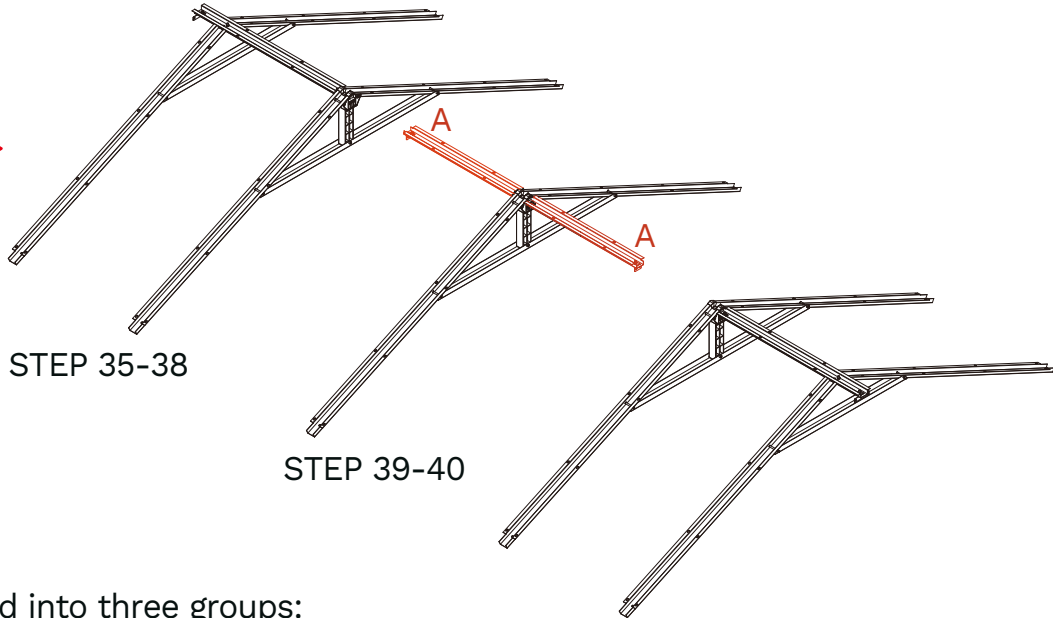
STEP 34




SP6-15
10 pcs



STEP 35-38

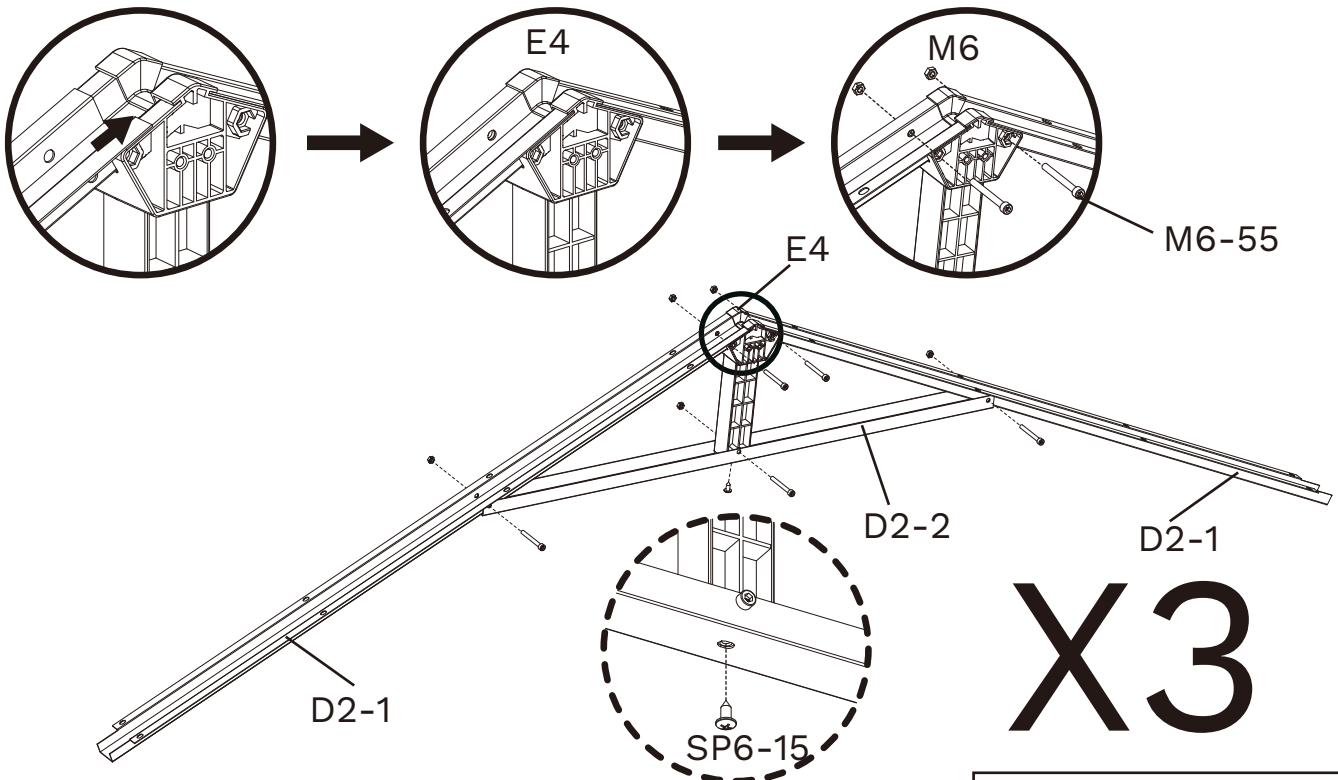


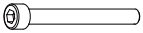


STEP 39-40

STEP 35-38

Beam installation can be divided into three groups: the installation steps for the front and rear components can be found in STEP 35-38, while the installation steps for the middle components are detailed in STEP 39-40. Install the front and rear components first, then install the middle components. When installing the middle components, please use your hands to support Area A.

STEP 35



		
M6-55 15 pcs	SP6-15 3 pcs	M6 15 pcs