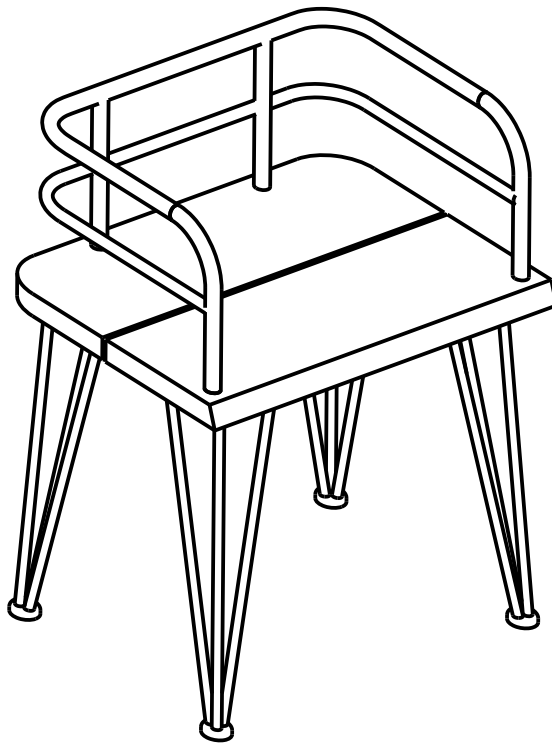


Assembly Instructions

Caution : You must read this before you proceed

CHAIR

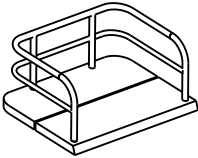
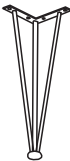


CAUTION : This Chair is NOT a TOY.




Keep your child / children at bay during the assembly process.

For moving the Chair and to prevent damage to the Chair two adults are needed to execute this action.

Parts List

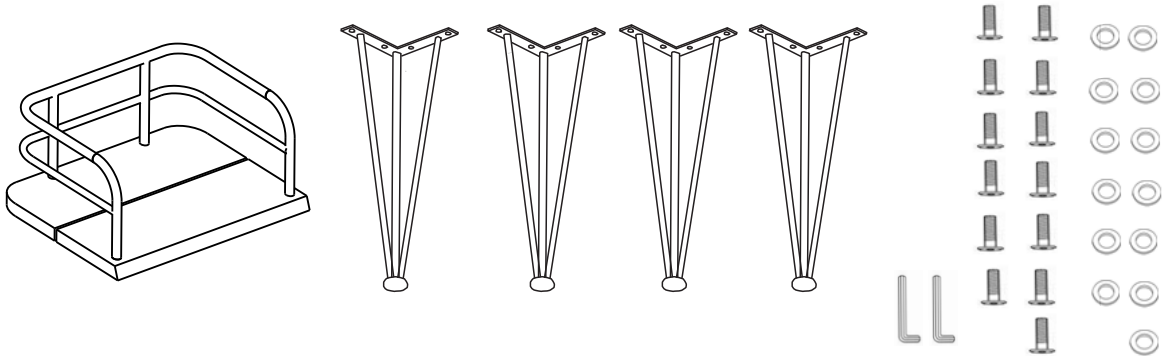
Label	Picture	Description	QTY
A		Seat panel	1
B		Leg	4

Hardware

Label	Picture	Description	QTY
①		Bolt (M8x15mm)	13
②		Flat Washer (M8.5/20x2mm)	13
③		Allen key	2

Assembly Preparation

Before Beginning Assembly:



- Read instructions, cover to cover-



- Have 2 adults on hand for assembly-



- Do not assemble on flooring or carpet-



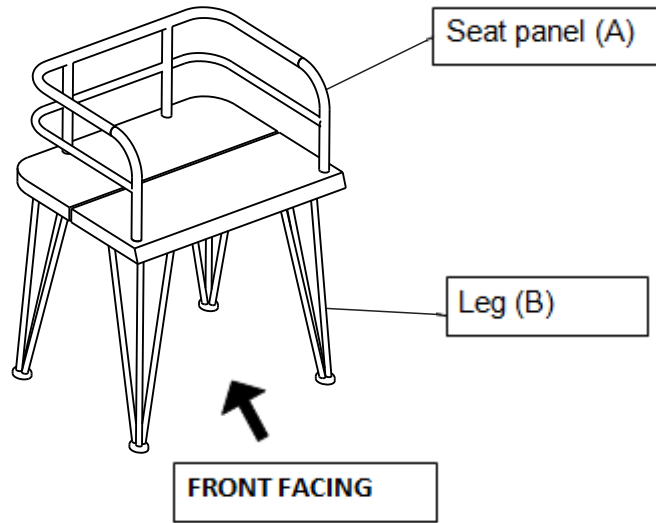
- Assemble on a clean non-marring surface (packing foam)-



- Save all packaging until finished-

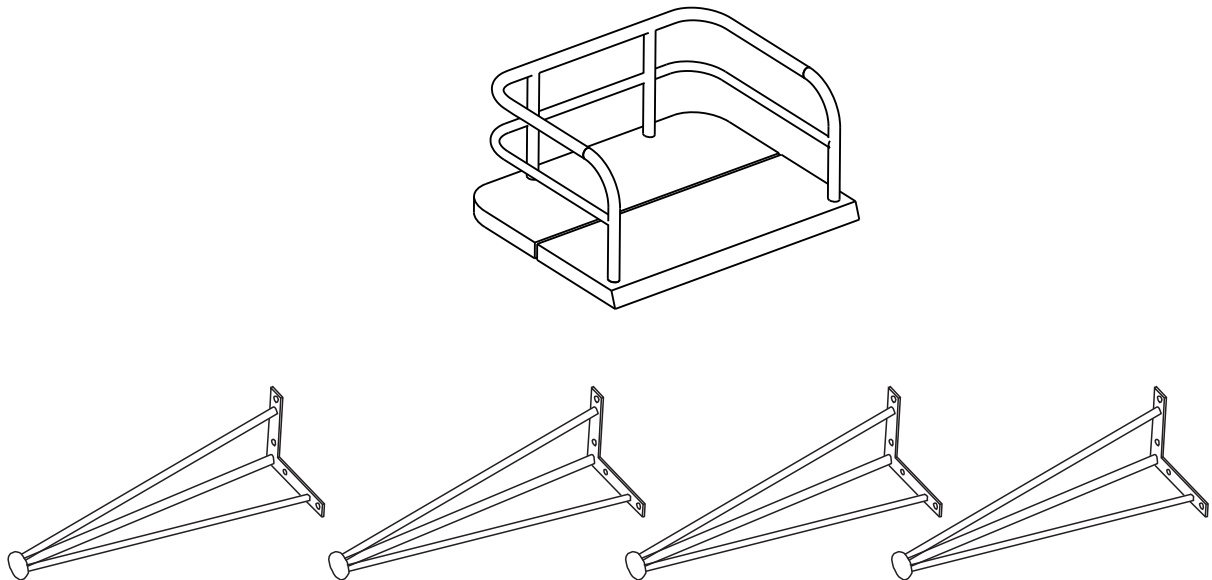
Assembly Steps

OVERVIEW



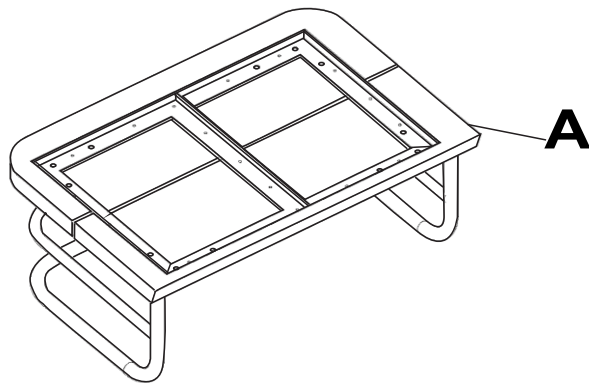
This Chair has multiple parts and may require up to 30 minutes to assemble. To give you an overview of the Chair parts, the above picture is to help you put the various parts into perspective. Please read through the instructions below to familiarise yourself with the parts and steps before assembly.

Step 1



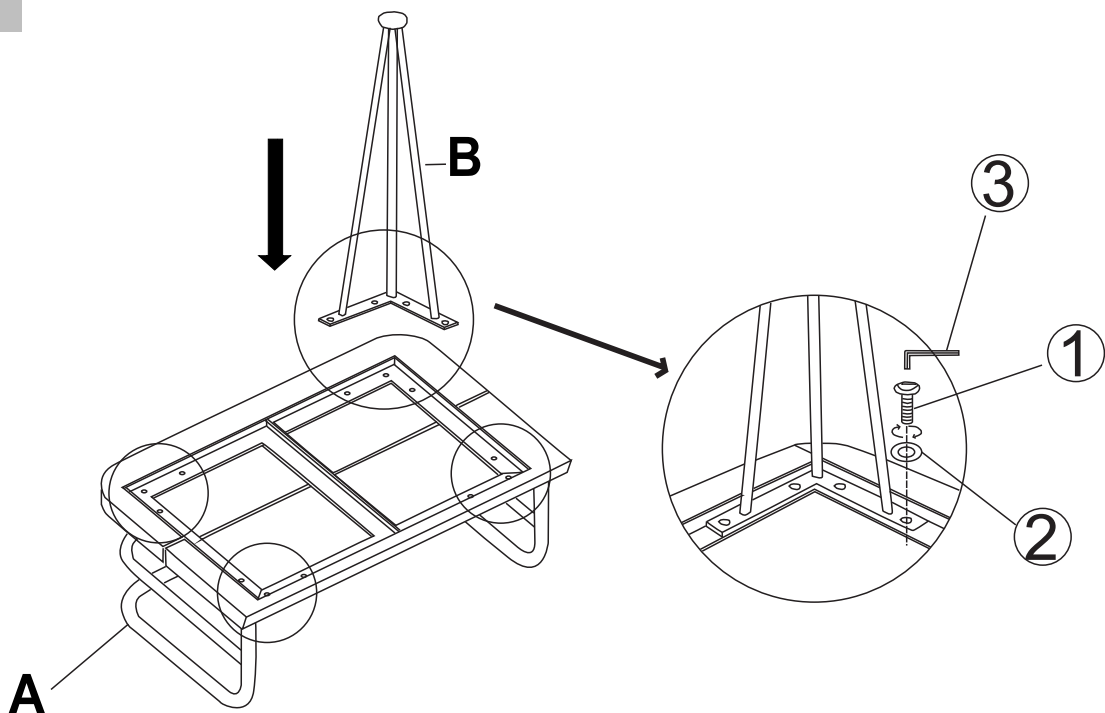
Unpack and place all parts on a clean, non-marring surface.

Step 2



Lay the Seat panel (A) facedown onto a clean, flat surface to avoid any scratches or damage to the product.

Step 3



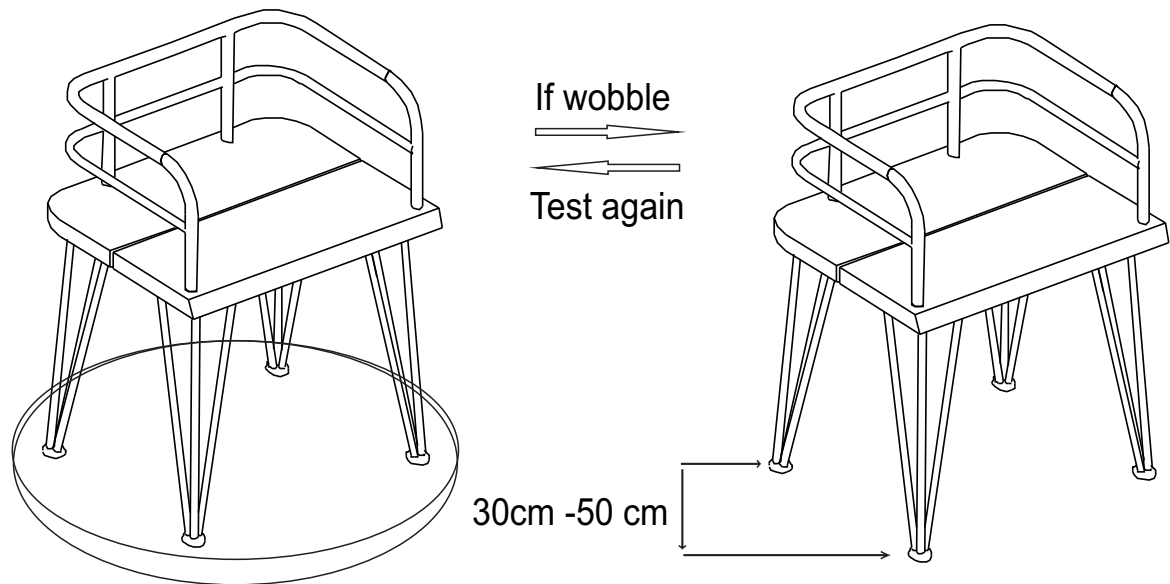
Insert leg (B) into the seat panel (A), put the flat washers (②) and bolt (①) as above picture.

Affix leg (B) and seat panel (A) by using Allen key (③).

Repeat the same process with the other 3 Legs (B)

Do not fully tighten the Bolts.

Step 4





















Place the Chair right side up on a LEVEL SURFACE to see if it wobbles.
If it wobbles, lift the Chair 30cm to 50cm high from the ground.
Keep your feet and toes well away from the drop zone.

Drop the Chair freely and vertically with all four legs, hitting the ground at the same time.
This Drop Test will help to ensure that all the Bolts, Screws and gaps reach full alignment status.
Test again for evenness on a LEVEL SURFACE.
If no wobbles are found, proceed to tighten all the Bolts, Screws.

When tightening the Bolts, Screws, tighten sequentially.
Do not tighten any Bolt, Screws fully and then move towards the next one.
This could cause the frame to warp.
If there are still wobbles, loosen the Bolts, Screws and execute the same drop tests.
If the Chair is not stable it could lead to damage to the product.
Your Chair is ready for use.
This Chair can only be used on a flat, level surface.

Care & Maintenance

-   ● Do not put hot items directly on furniture surface
-   ● Do not clean furniture with harsh cleansers or polish.
-   ● To obtain the longest lifespan of your outdoor products, minimizing exposure to direct sunlight is recommended.
-   ● Children should not climb or jump on the furniture.
-   ● Do not write on furniture without a padded barrier to protect the surface.
-   ● To obtain the longest lifespan of your outdoor products, avoid extended and lengthy exposure to rain, snow, and direct sunshine. Whenever possible cover the product and /or place under patio or awnings.
-   ● Not for commercial use. For residential use only.
-   ● Stains may be removed with mild soap solution and damp cloth.

-   ● Dust and pick-up spills using a clean, non-colored, lint-free cloth .