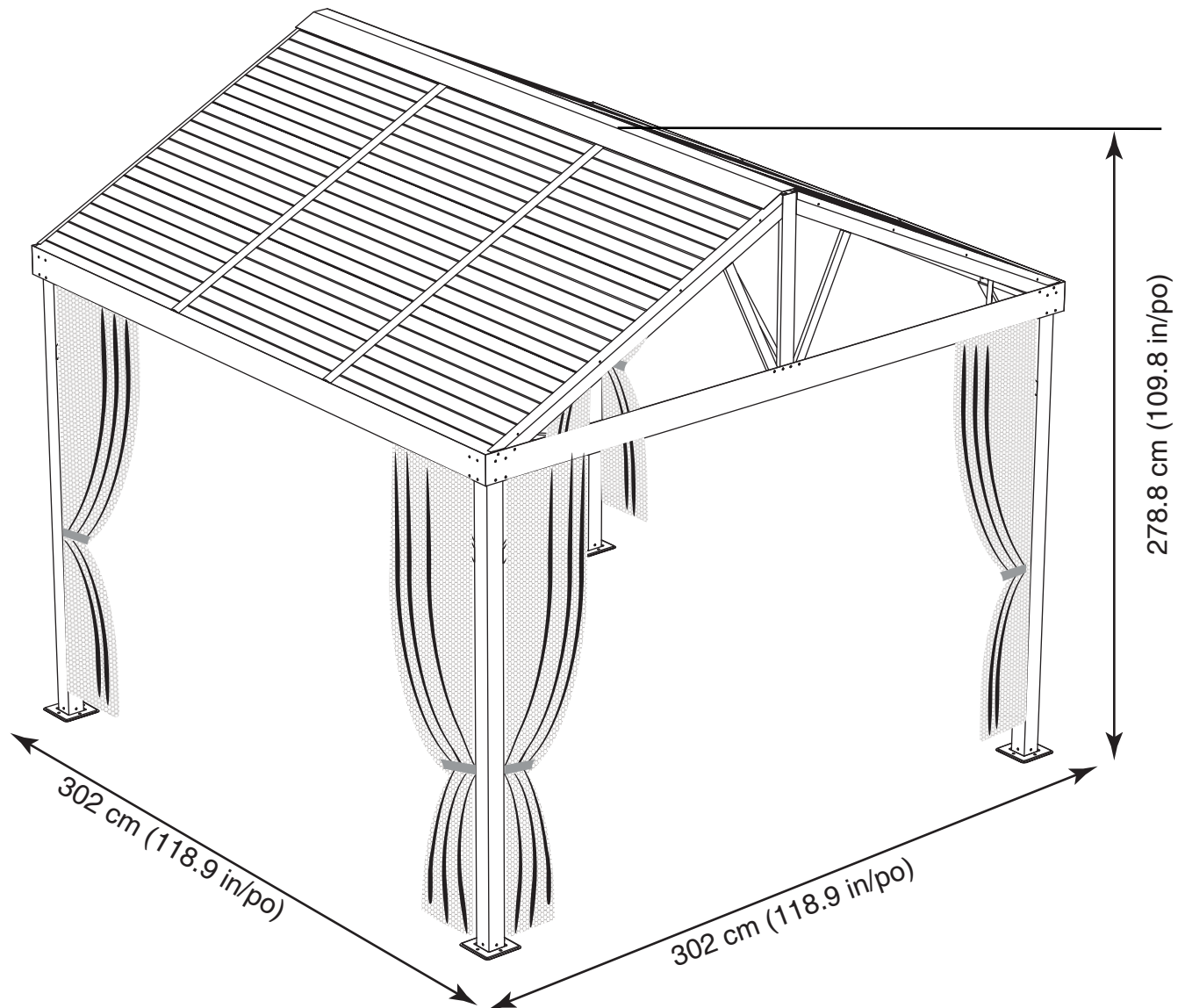
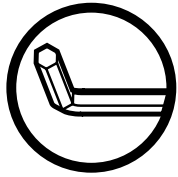
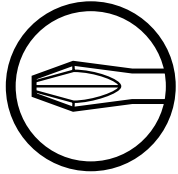


Assembly Manual / Guide d'assemblage /
Manual de ensamblaje / 조립설명서 /
Montageanleitung





Use the hex keys in the box. / Utilisez les clés hexagonales fournies dans la boîte. / Utilice las llaves hexagonales en la caja. / 상자에 육각 키를 사용 하십시오. / Verwenden Sie die Sechskantschlüssel in der Box.



Please use a Phillips screwdriver. / Utilisez un tournevis de type Phillips / Por favor, use un destornillador Phillips. / 십자 드라이버를 사용 하십시오. / Bitte verwenden Sie einen Kreuzschraubenzieher.



You may need to use a drill for this step. / Vous pouvez avoir besoin d'utiliser une perceuse pour cette étape. / Puede que tenga que utilizar un taladro para este paso. / 이 단계에선 드릴을 사용해야 할 수도 있습니다. / Für diesen Schritt können Sie einen Bohrer verwenden.



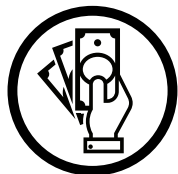
Wearing protective gloves is recommended. / Le port de gants de protection est recommandé / El uso de guantes de protección se recomienda. / 보호 장갑을 착용 하는 것이 좋습니다. / Das Tragen von Schutzhandschuhen wird empfohlen.



Two or more people are required at this stage. / Deux personnes ou plus sont nécessaires à cette étape. / Dos o más personas se requieren en esta etapa. / 이 단계에서는 두 명 이상 이 필요합니다. / Für diesen Bauschritt sind 2 oder mehr Personen erforderlich.



Do not tighten screws all the way for now. / Ne pas visser fermement pour l'instant. / No atornille con firmeza por ahora. / 아직 나사를 단단히 조이지 마십시오. / Bitte die Schrauben zum jetzigen Zeitpunkt noch nicht fest anziehen.

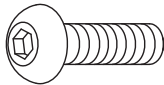


Sold separately. / Vendus séparément. / vendido en las opciones. / 옵션 판매 / Optional erhältlich

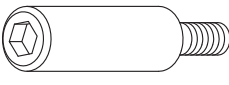


Optional step / Étape optionnelle / Paso opcional / 선택적 단계 / Optionaler Schritt


V X 95 (+10)



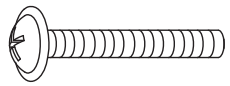
X X 32 (+3)




X1 X 24 (+4)



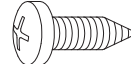
Y1 X 16 (+4)



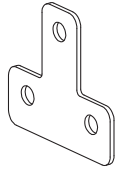
Wa X 2



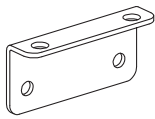
Y X 80 (+10)



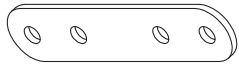
M3 X 4



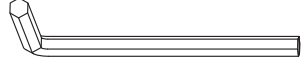
M4 X 2




M5 X 2



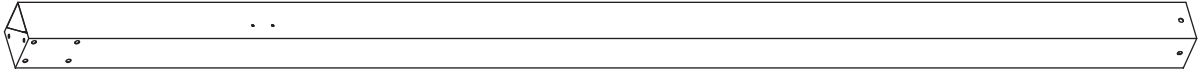
Z X 1



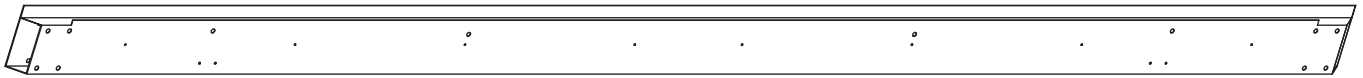
M1 X 4



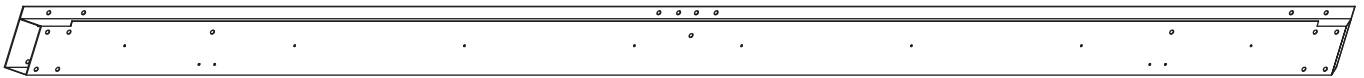
A X4



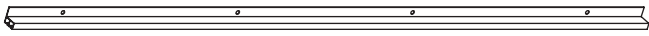
B X2



C X2



B2a X8



E X2



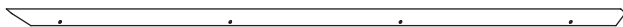
E1 X2



E2 X2



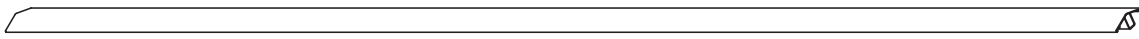
E3 X2



F X4



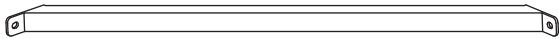
F1 X4



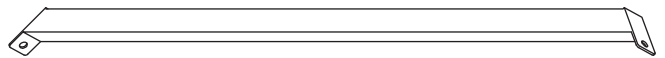
G X2



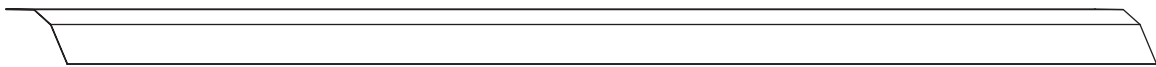
I X4



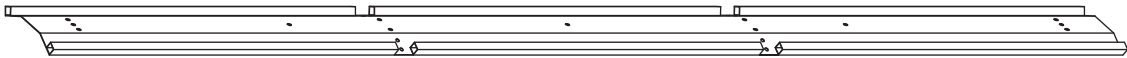
J X2



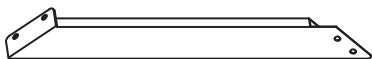
K X1



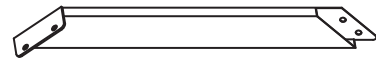
K1 X1

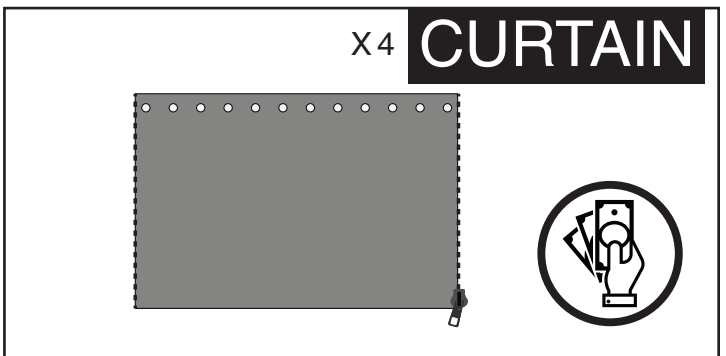
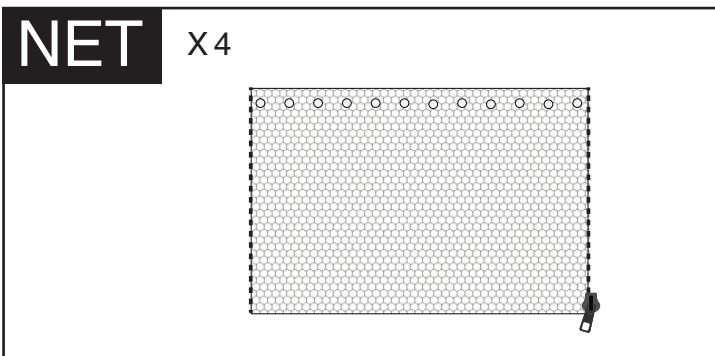
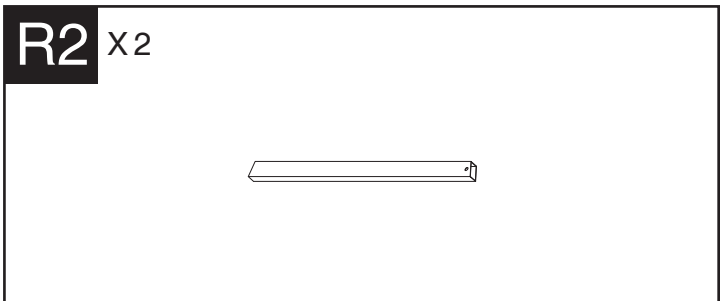
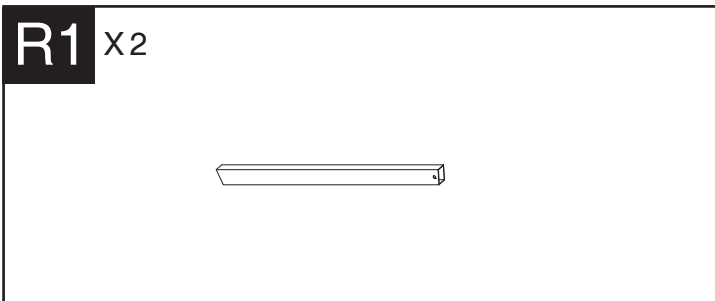
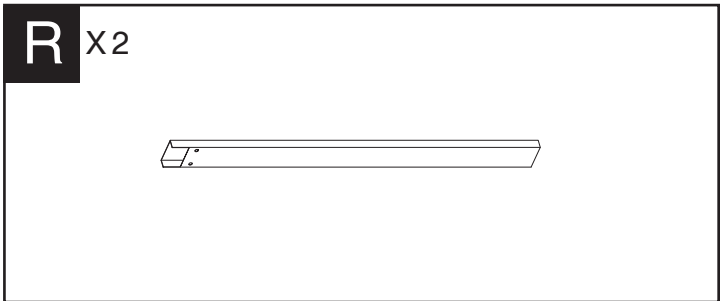
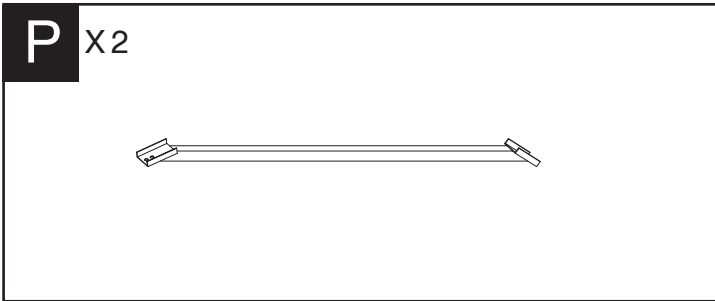
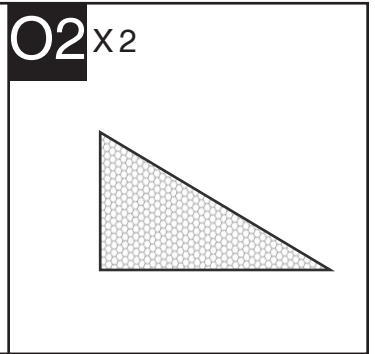
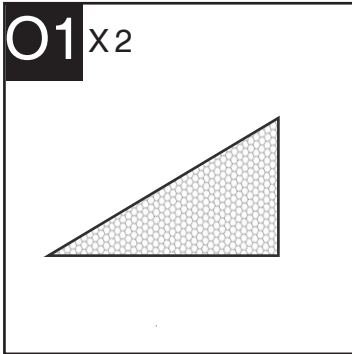
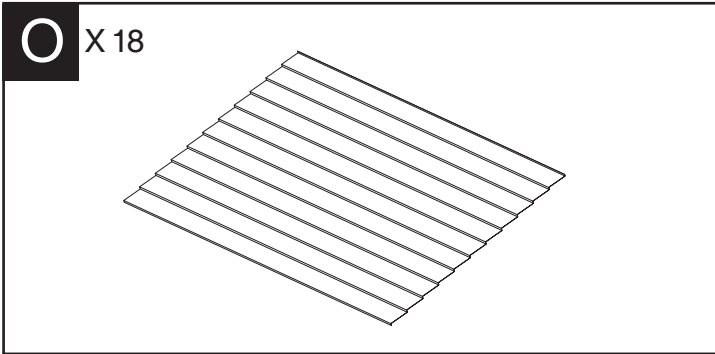


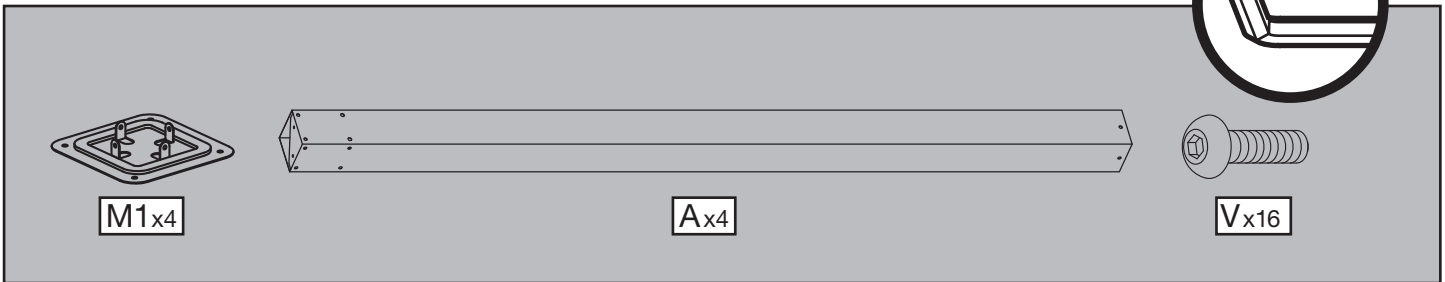
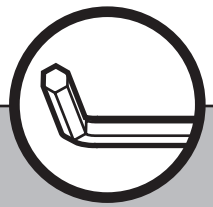
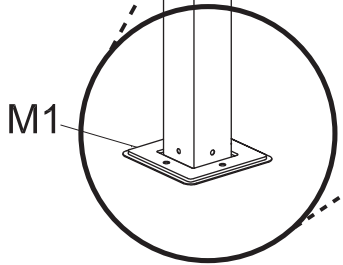
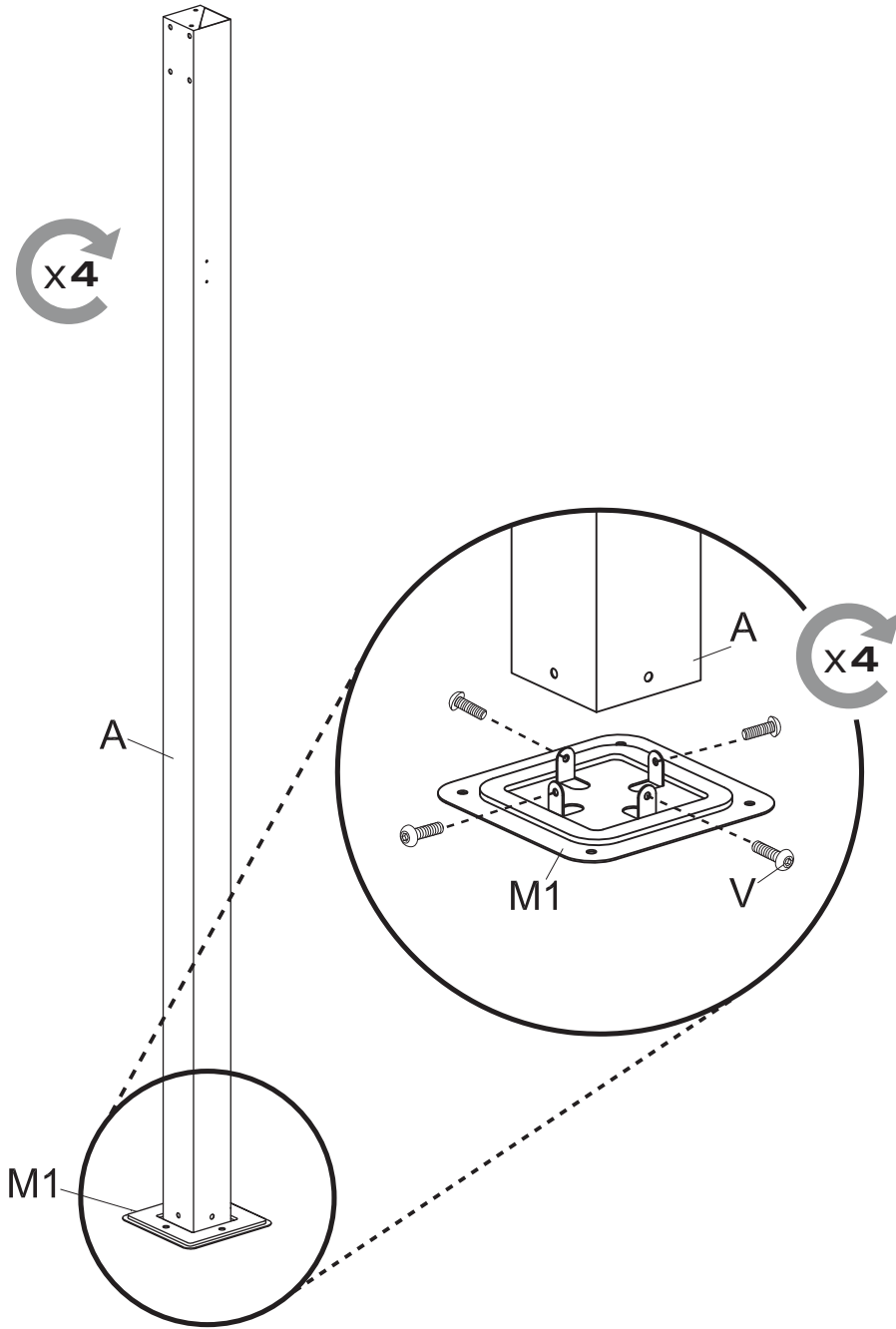
L1 X4

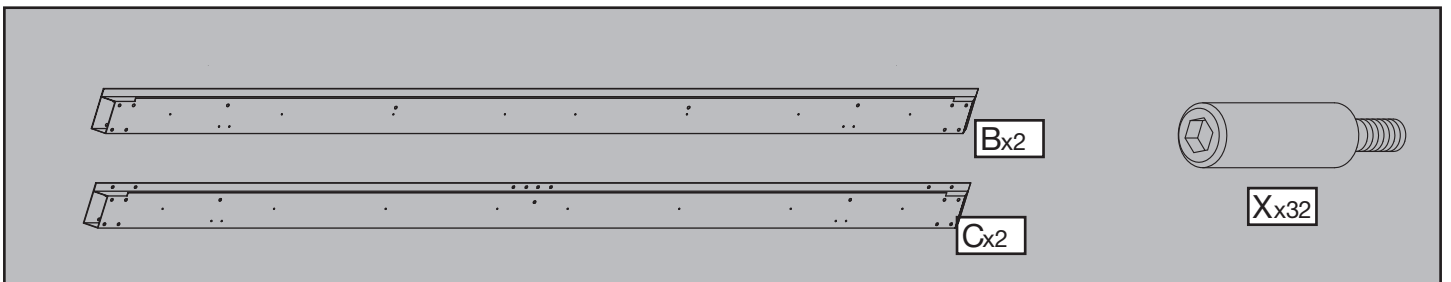
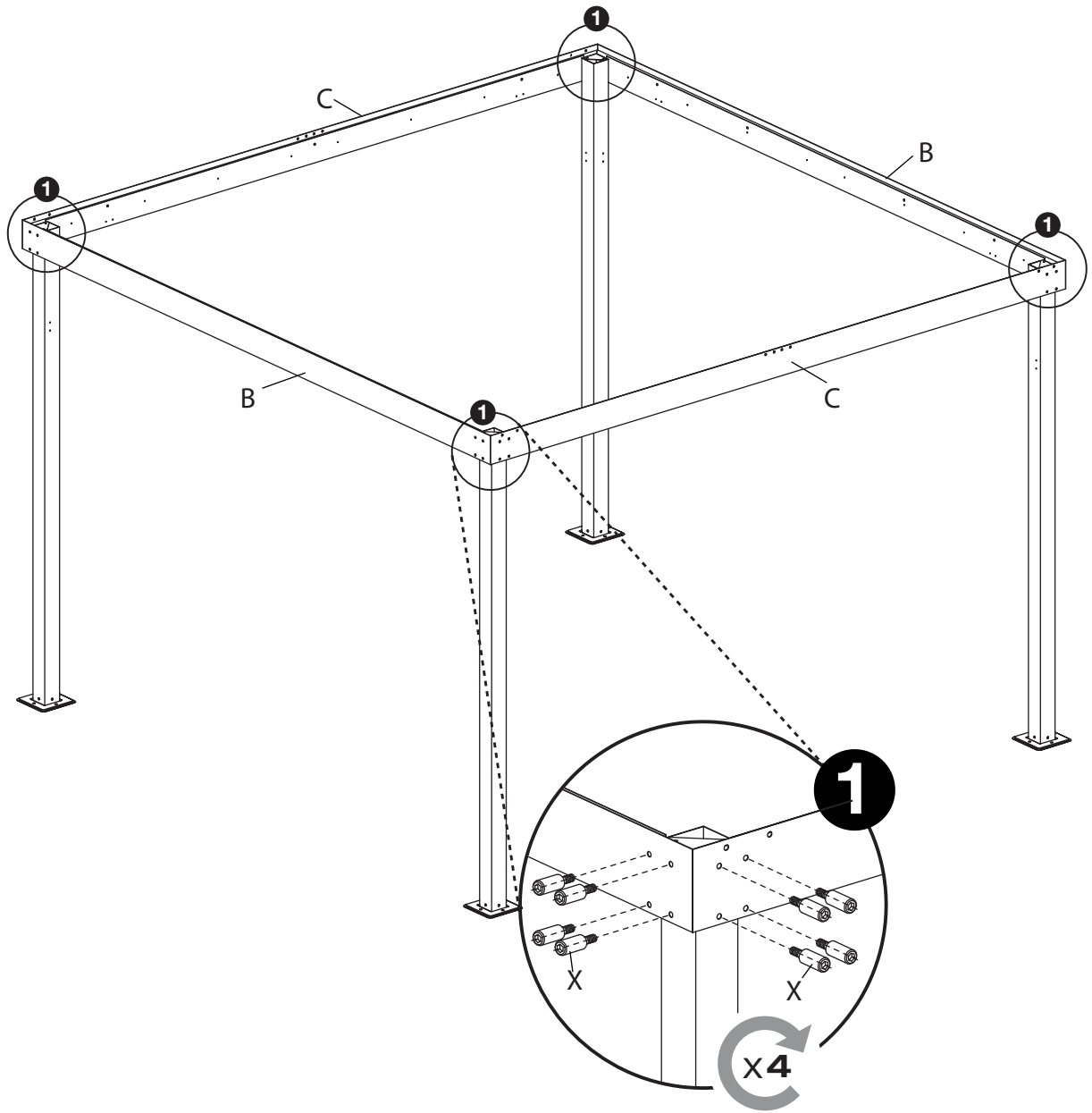


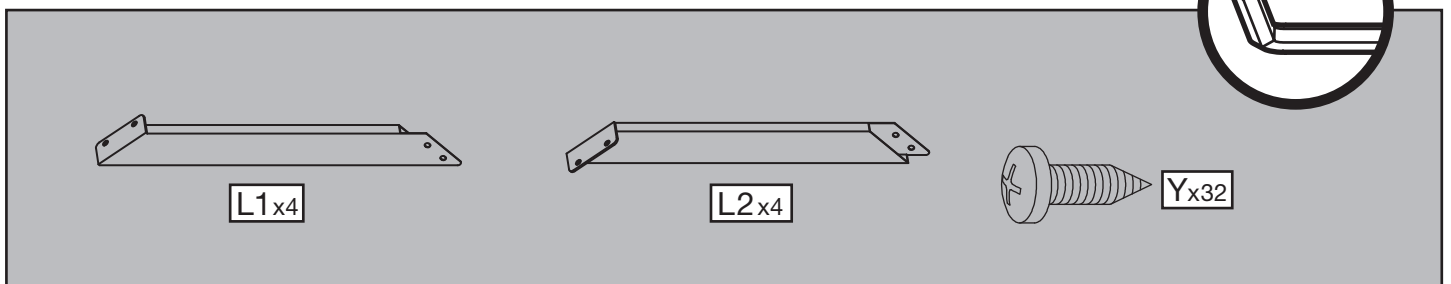
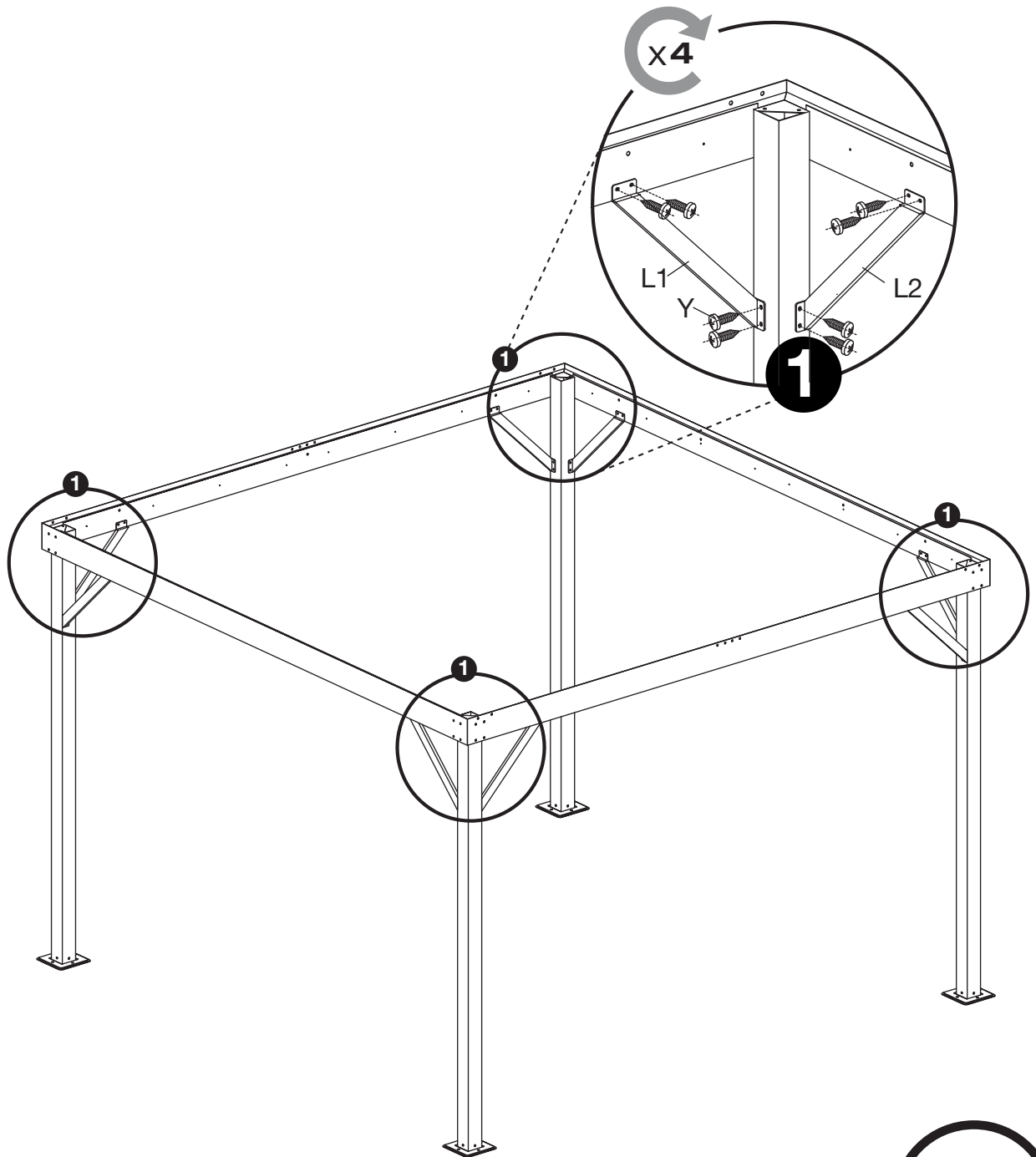
L2 X4

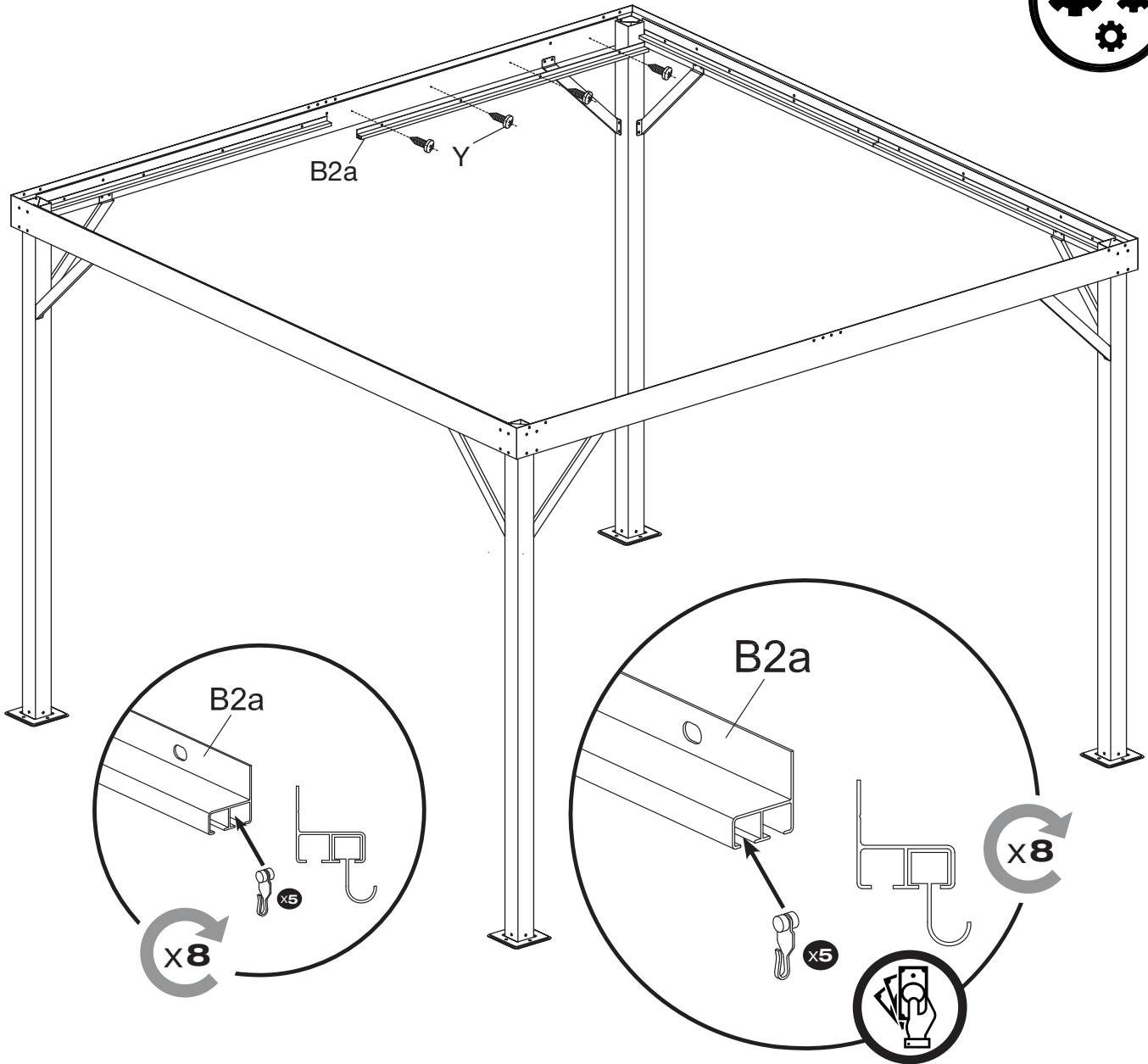
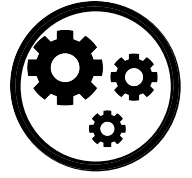




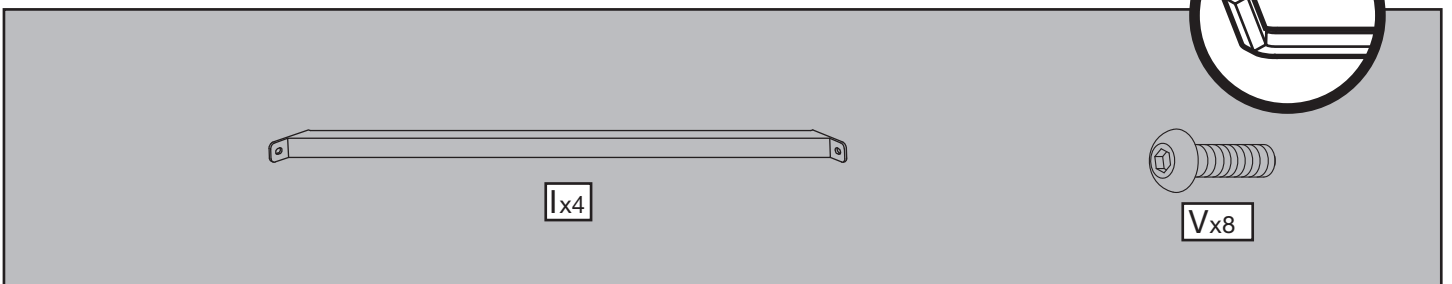
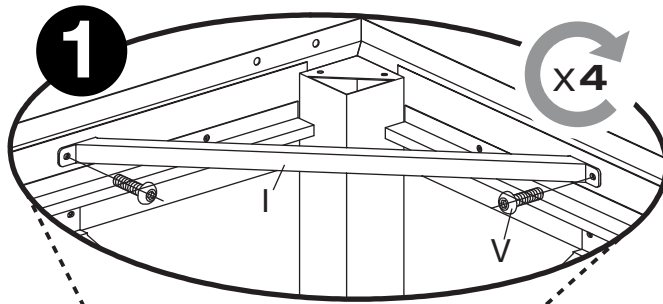
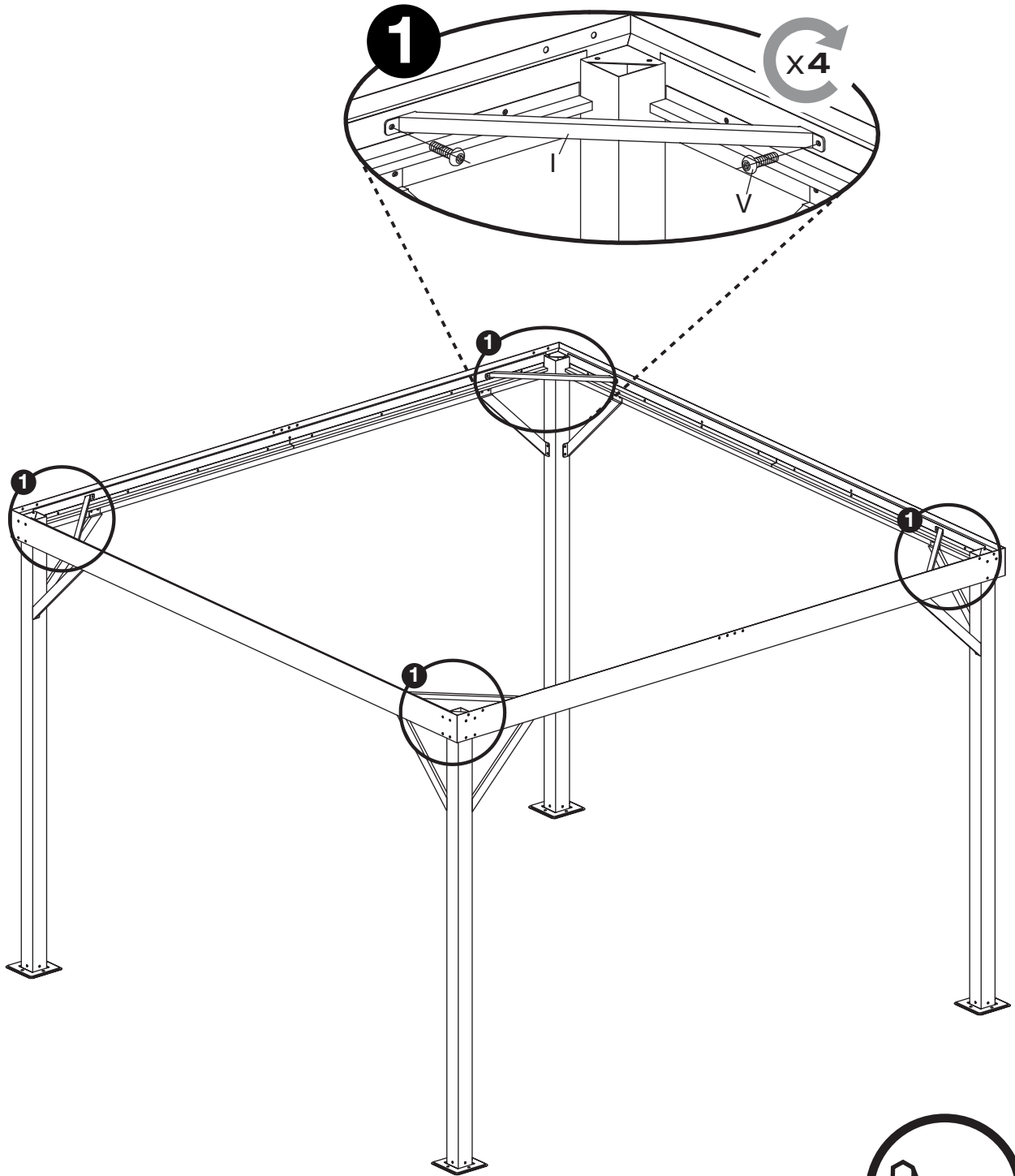


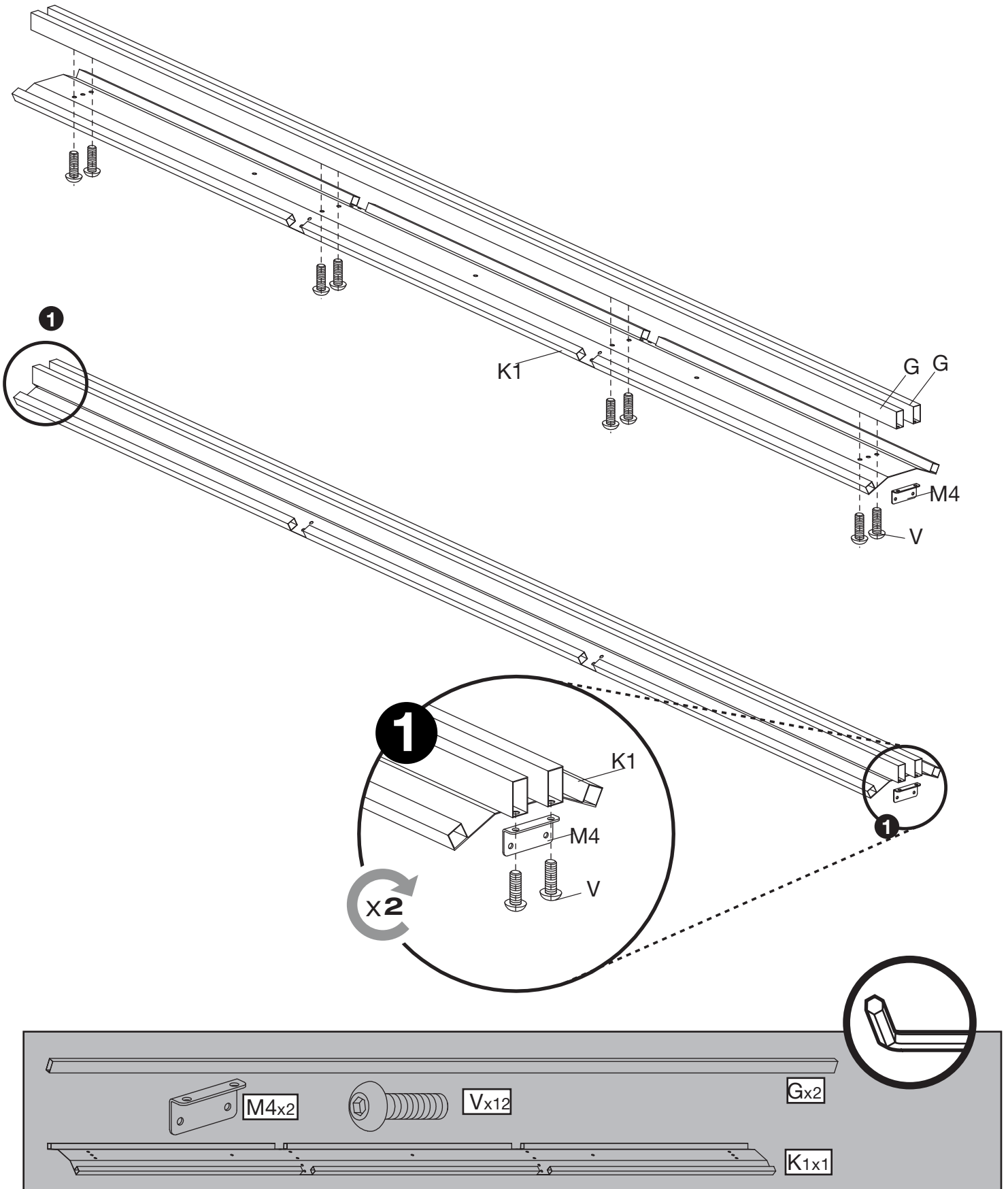


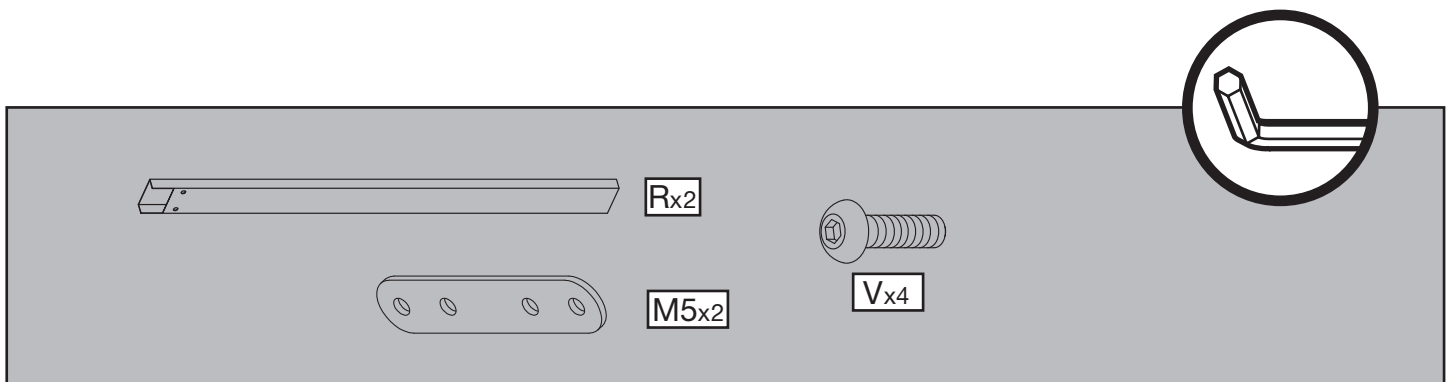
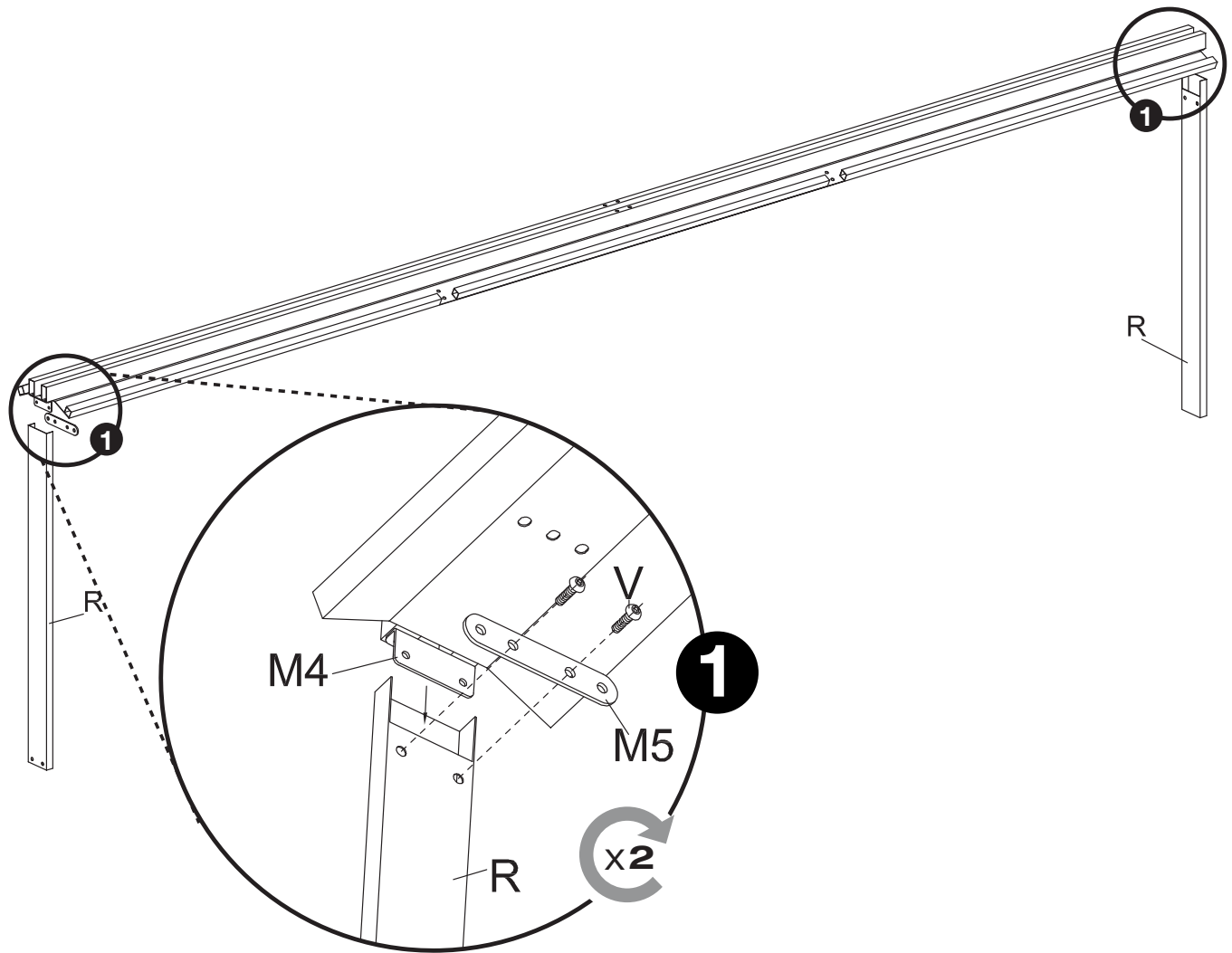


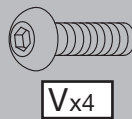
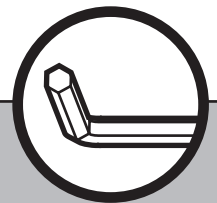
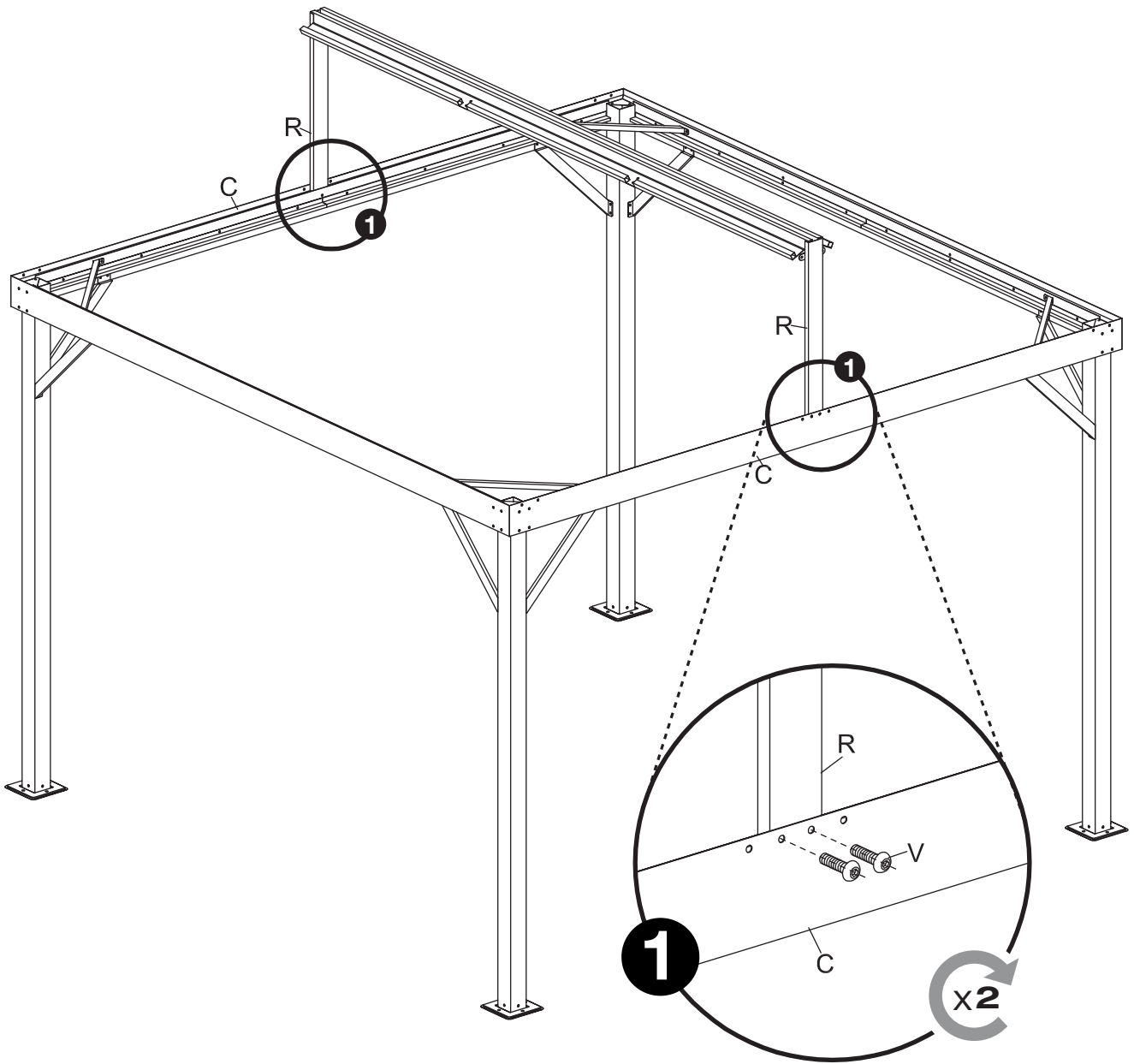


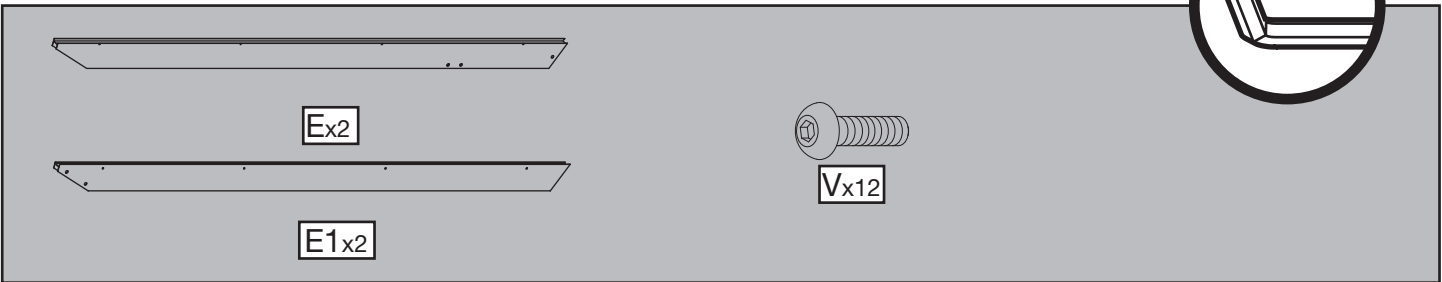
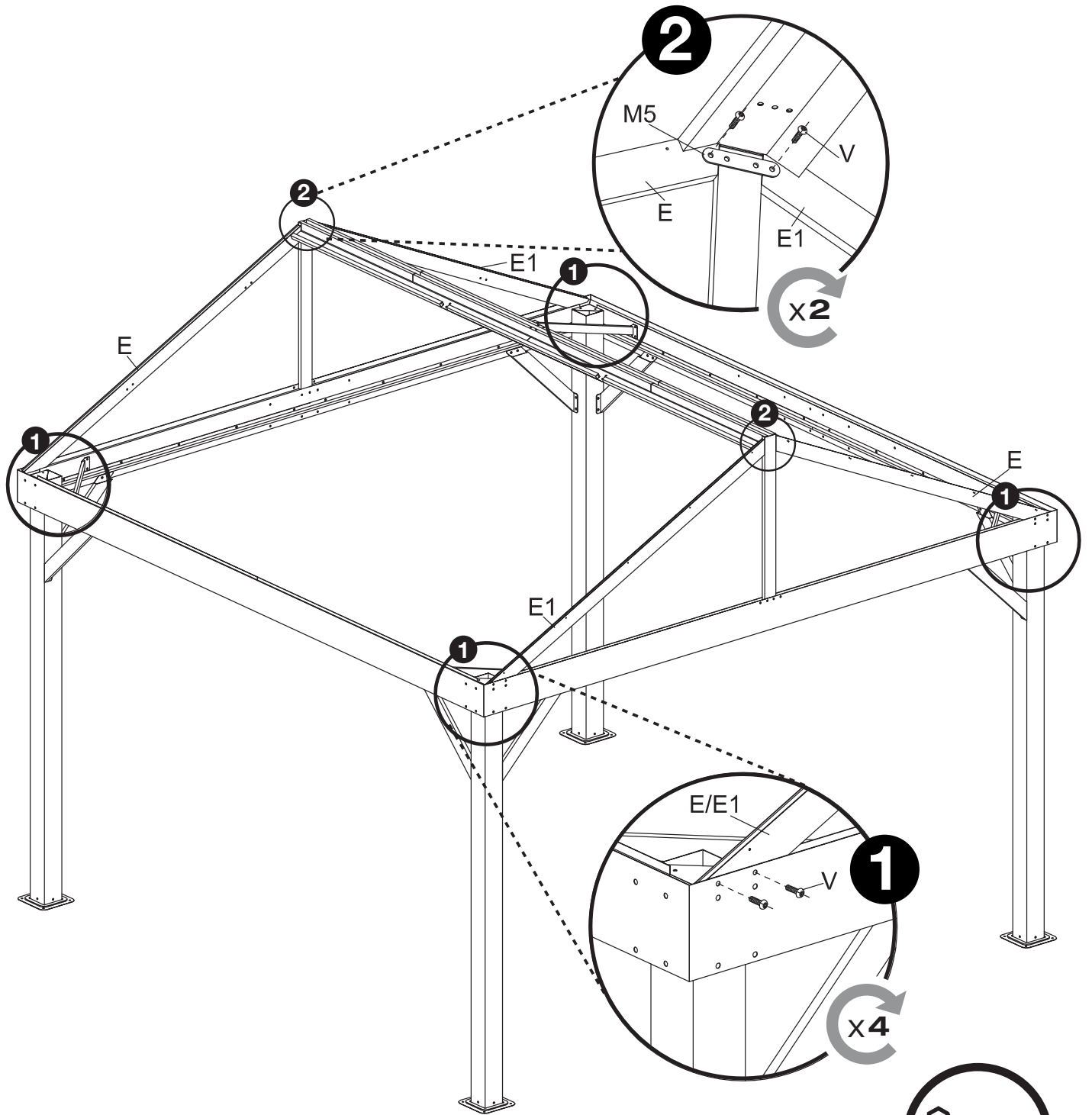
This section lists the components for this step. On the left, a screw is labeled Yx32 and a long rail is labeled B2ax8. On the right, two hooks are labeled Qx40. A circular icon shows a hand holding a hook, and another circular icon shows a hook being inserted into a rail.

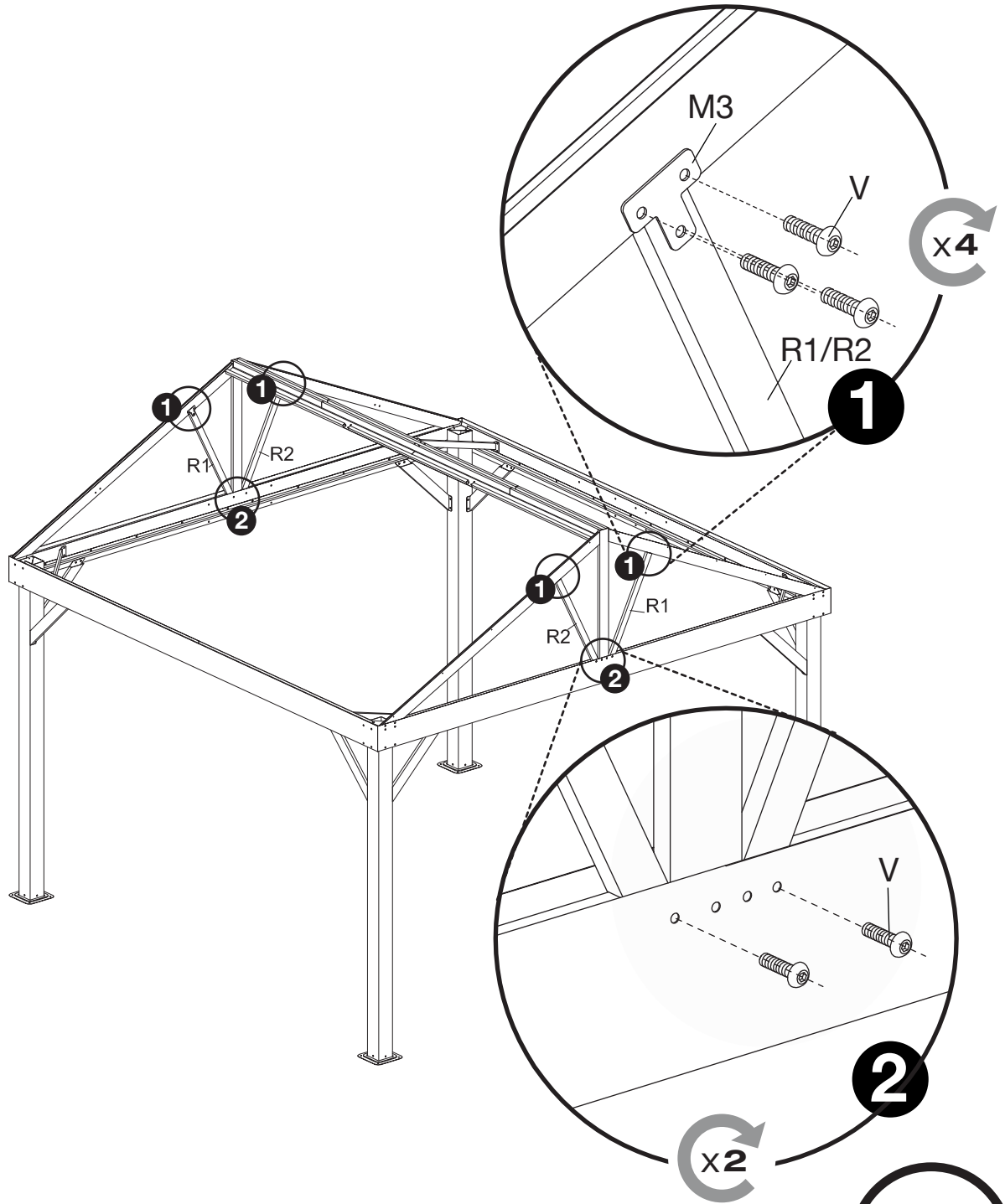






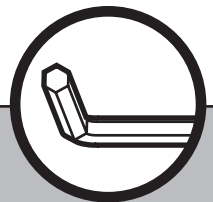
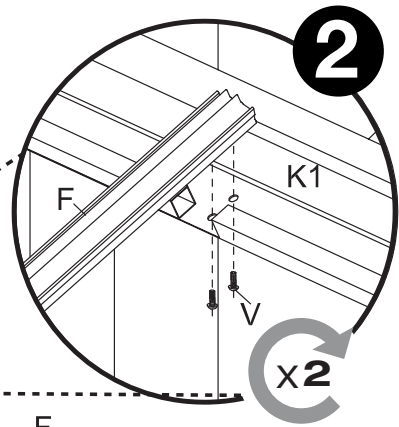
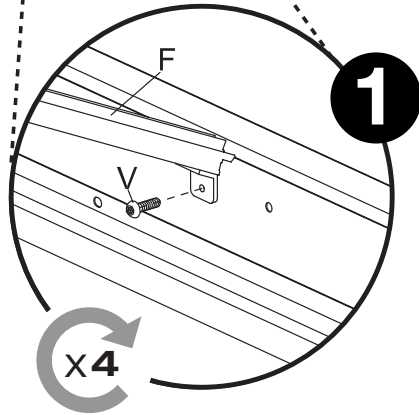
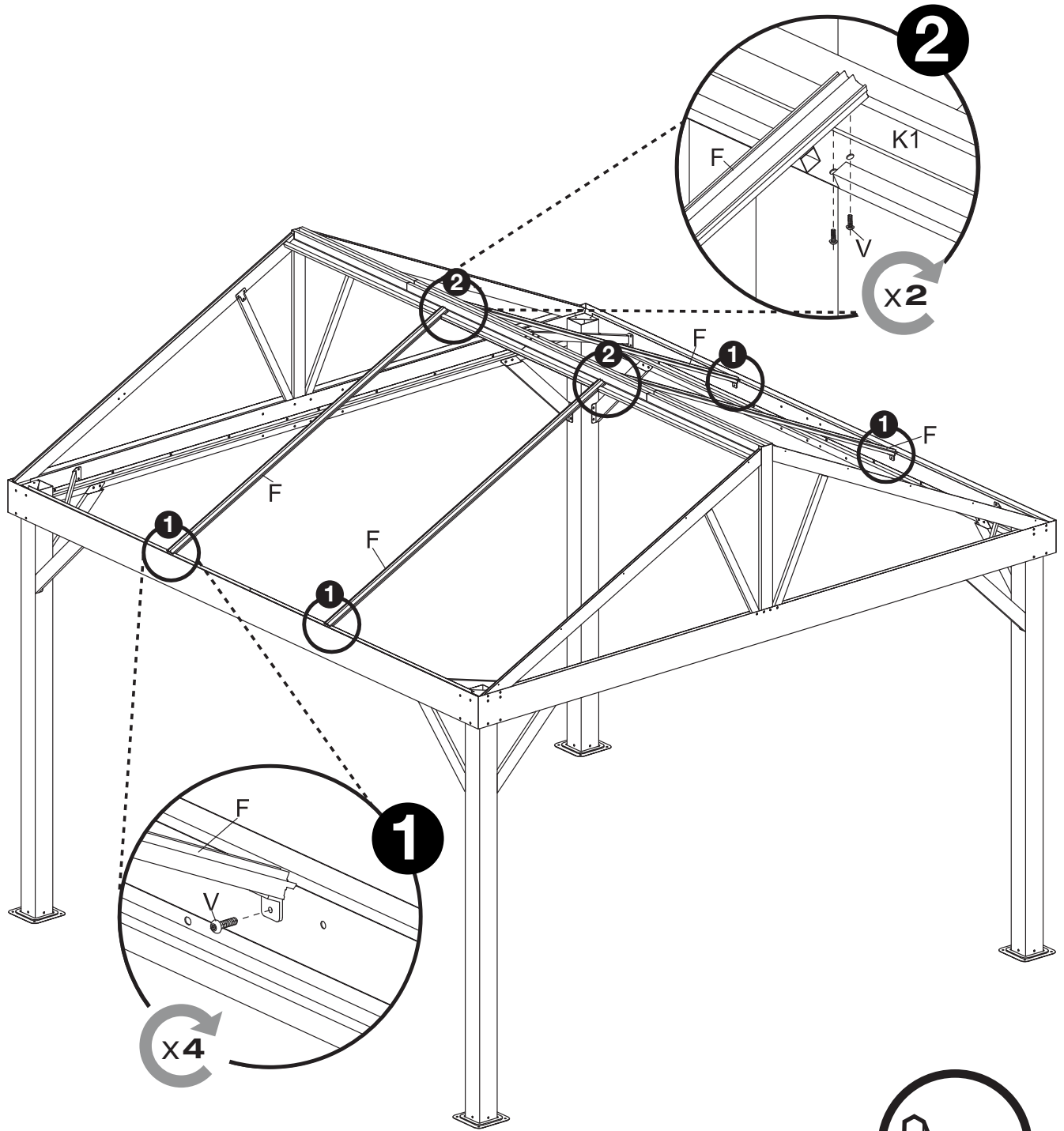






A parts list diagram on a grey background. It includes:

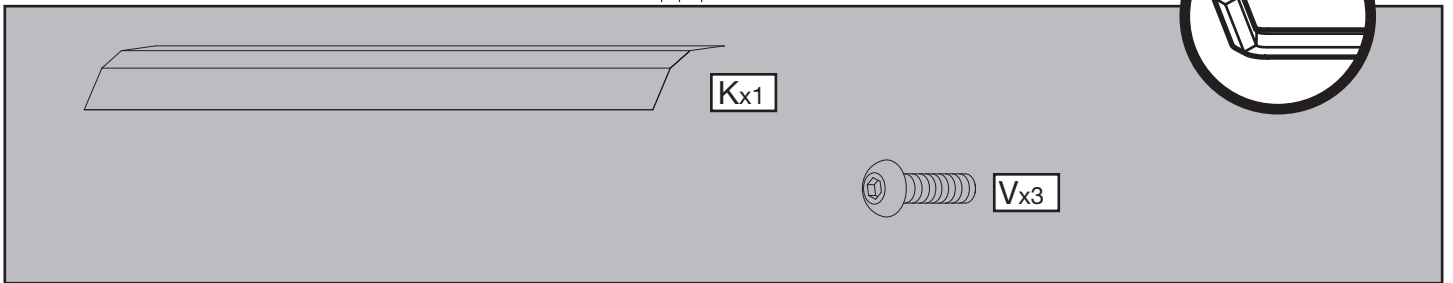
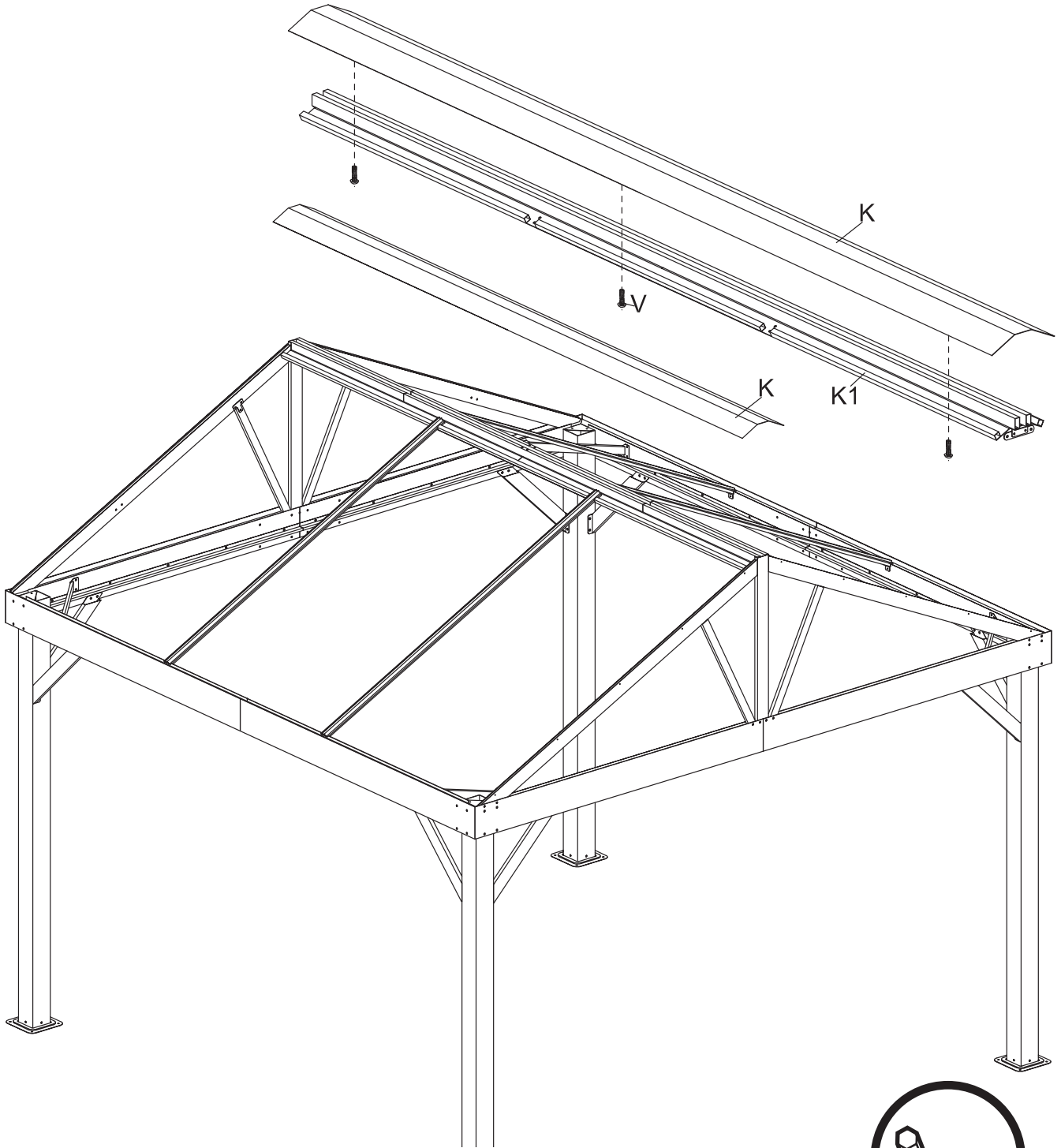
- Two horizontal beams, one labeled **R1x2** and the other **R2x2**.
- A screw labeled **Vx16**.
- An L-shaped bracket labeled **M3x4**.
- A circular inset showing a close-up of the L-shaped bracket.

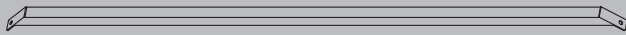
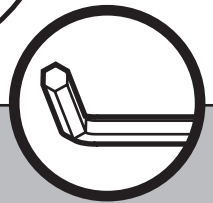
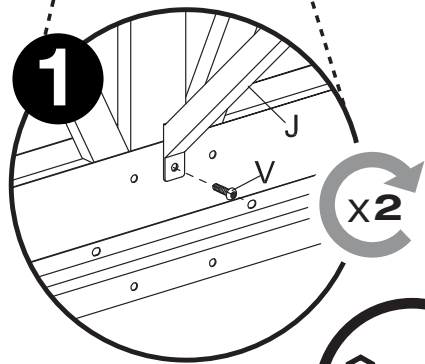
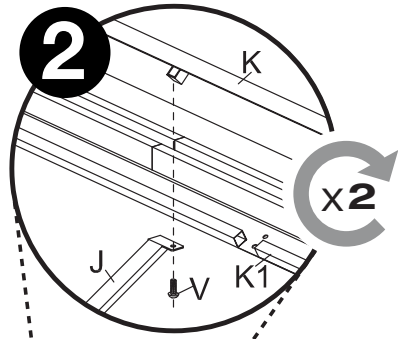
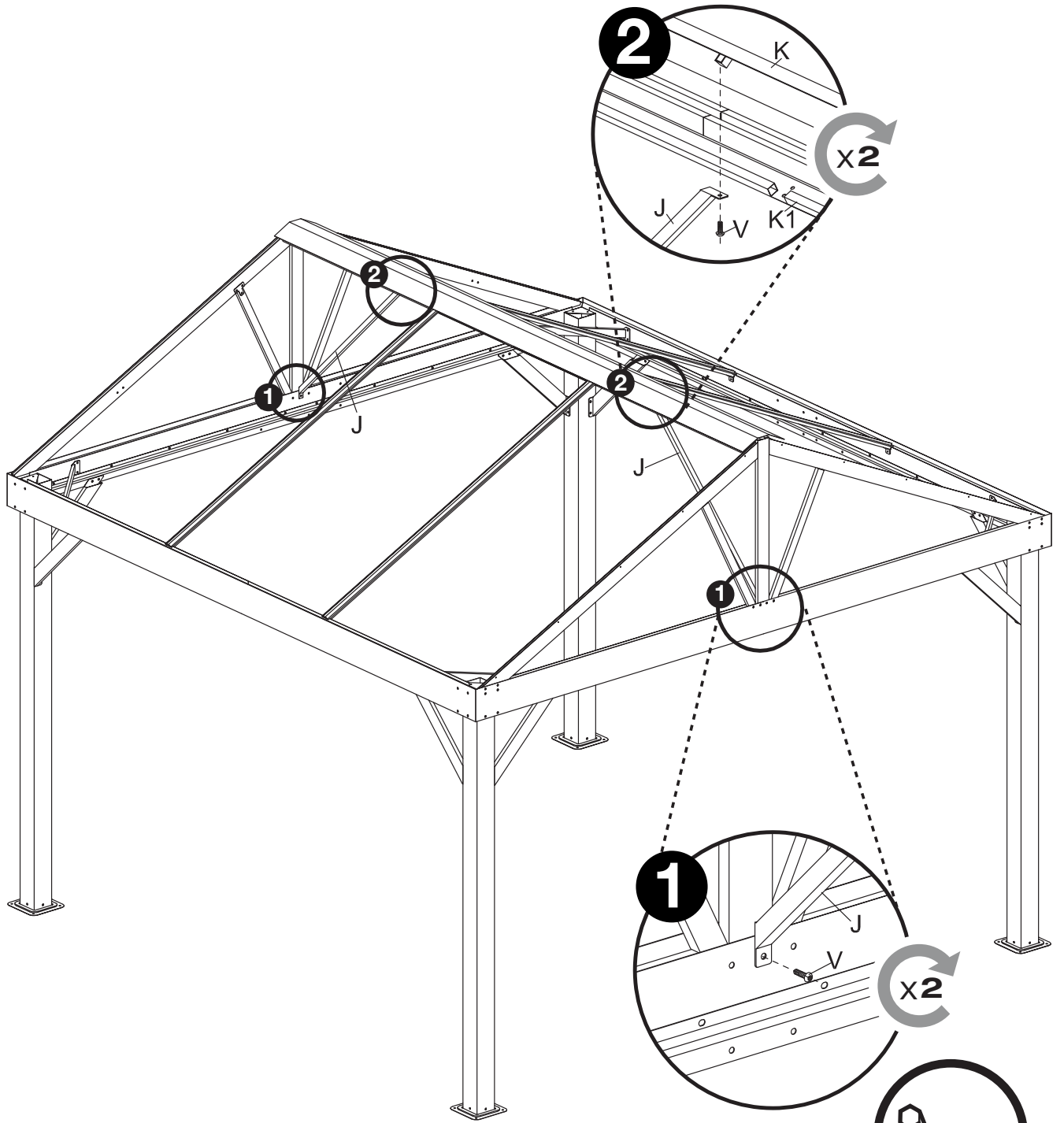


Fx4



Vx12

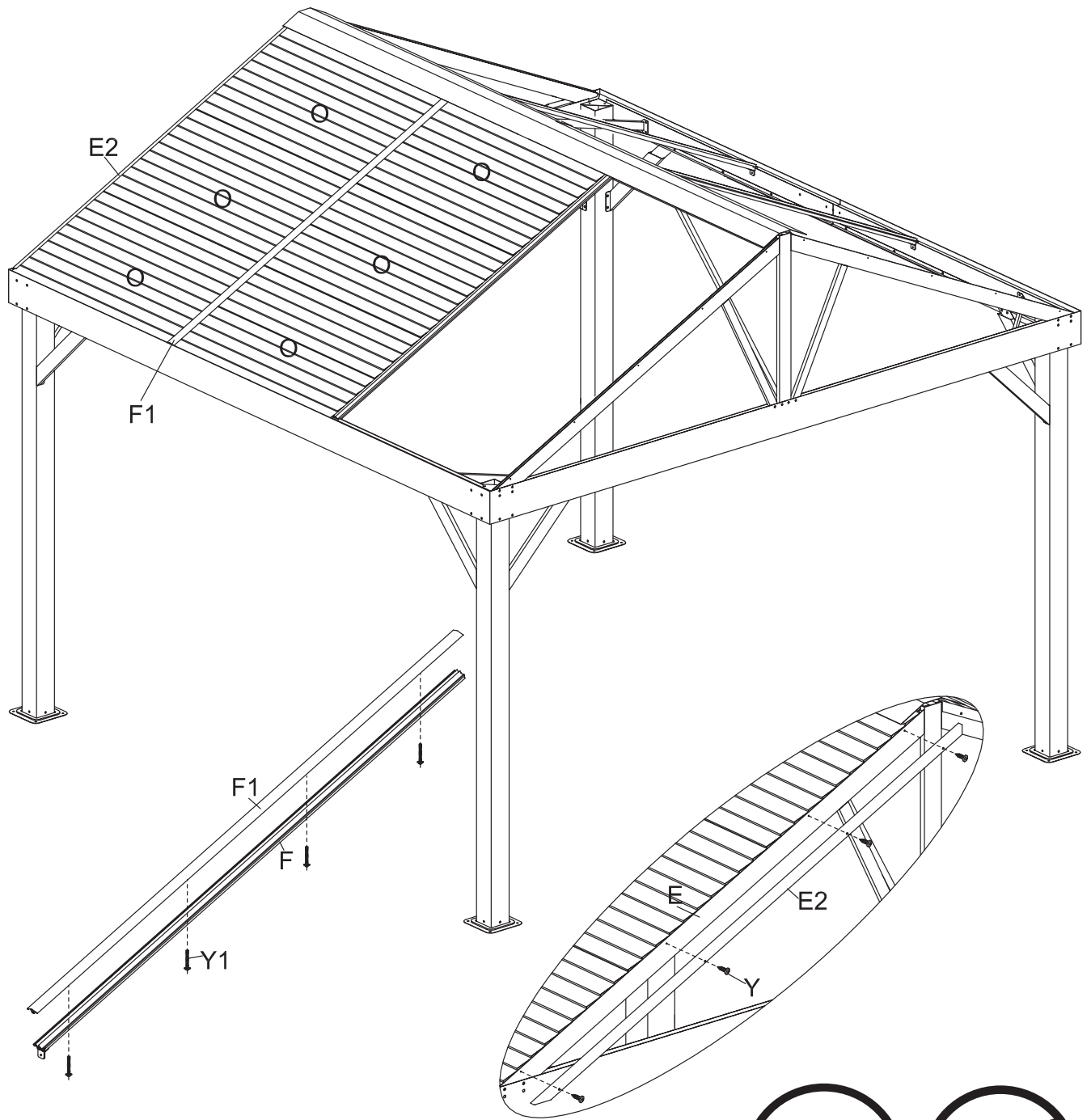


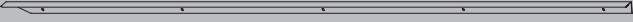
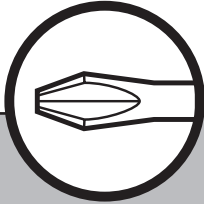

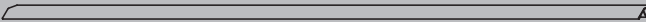

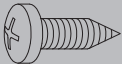


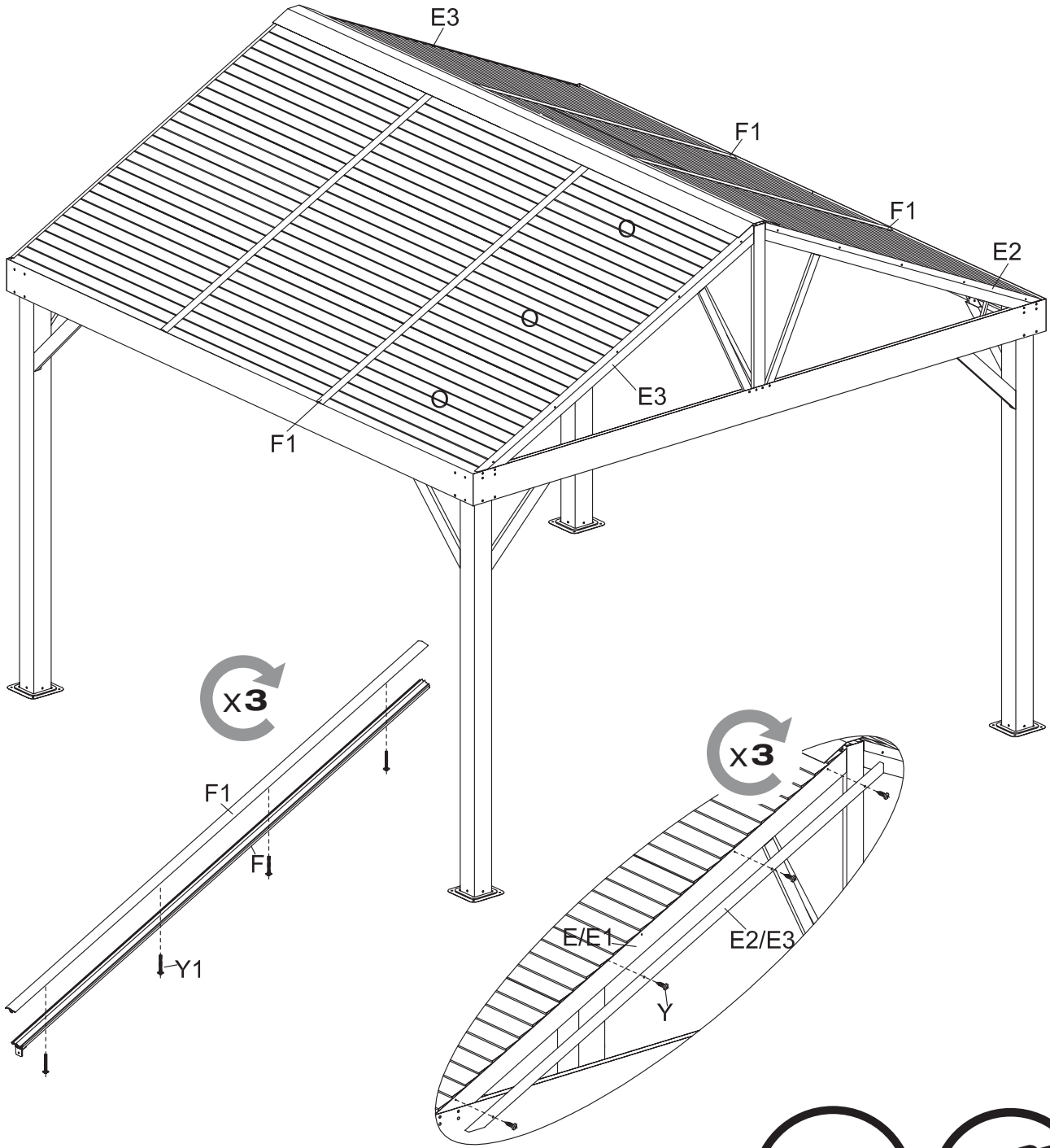
Jx2



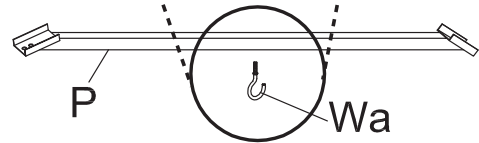
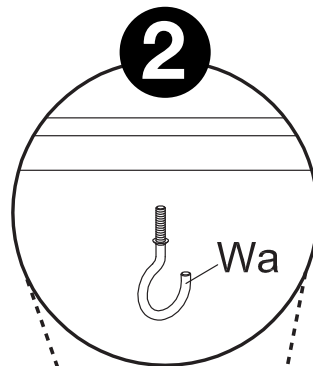
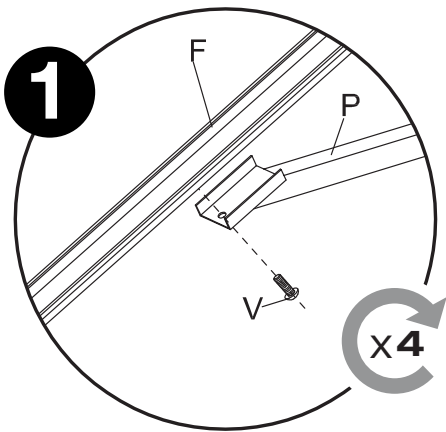
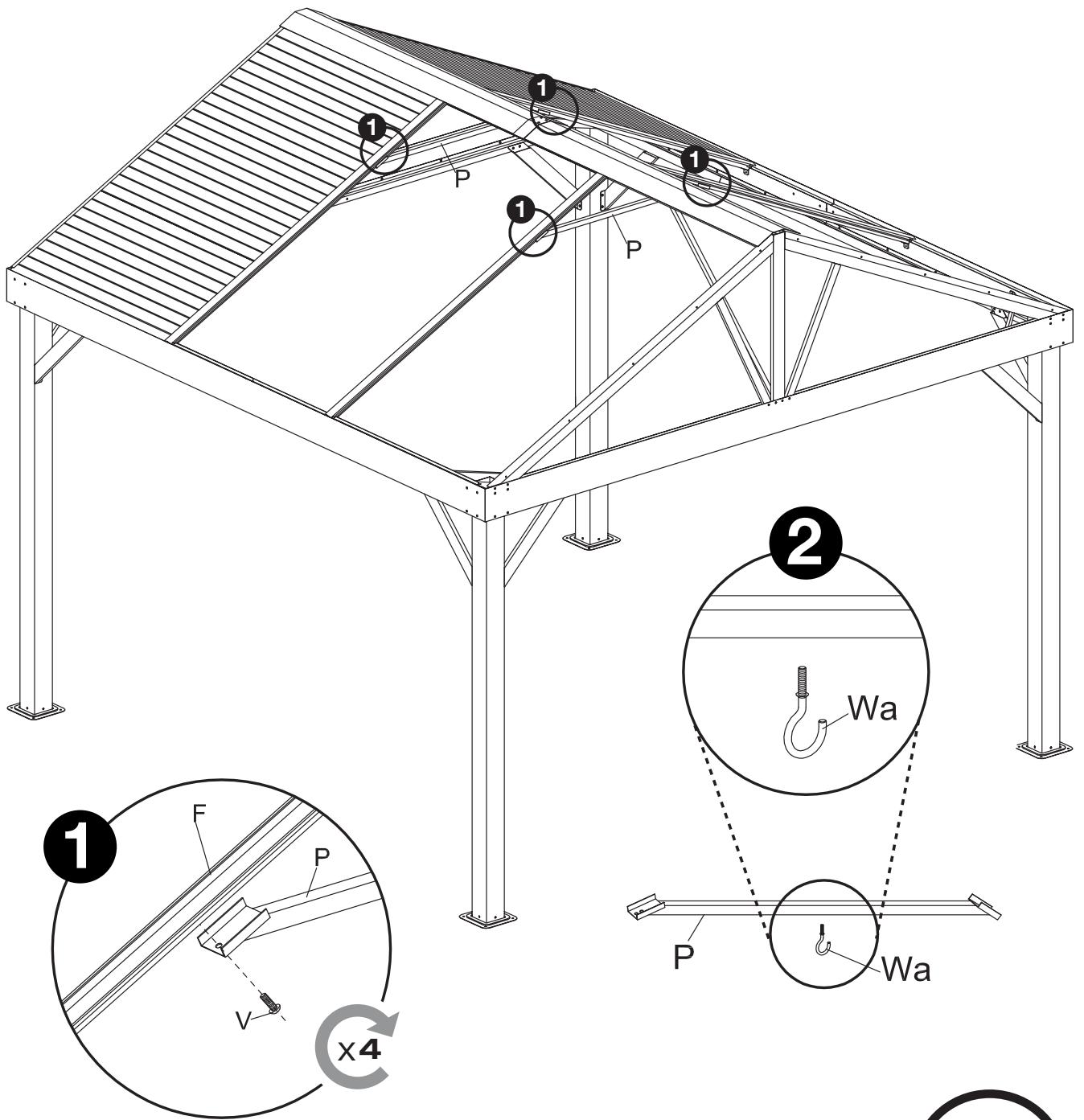
Vx4



| | | | |
|---|------|---|---|
|  | E2x1 |  |  |
|  | F1x1 |  |  |
| | | Y1x4 | Yx4 |



| | | | |
|--|------|--|-------|
| | E2x1 | | Y1x12 |
| | E3x2 | | |
| | F1x3 | | Yx12 |

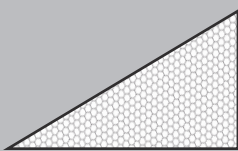
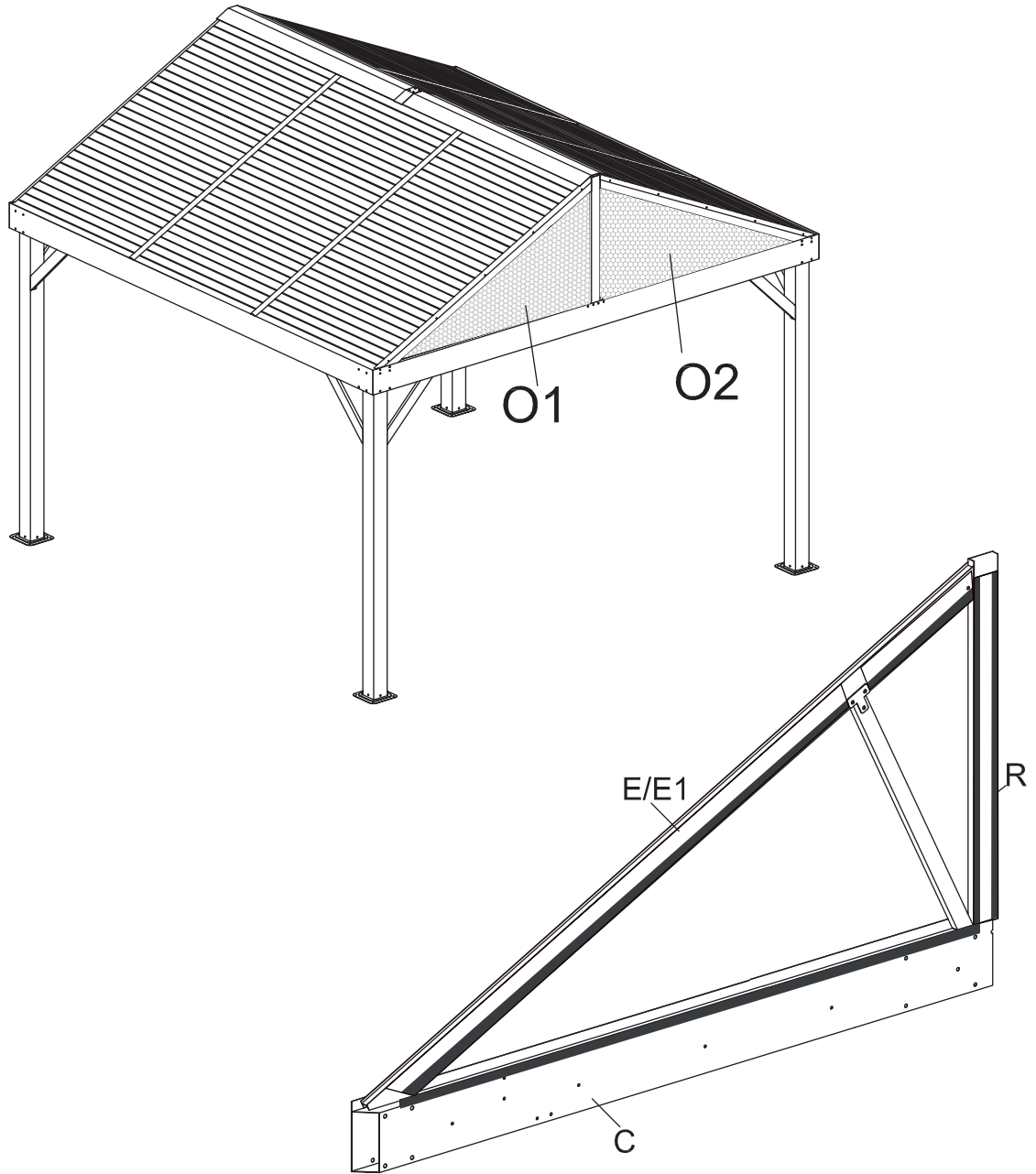


Parts list area containing illustrations of components P, Wa, and V. A circular icon with an L-shaped bracket is also present.

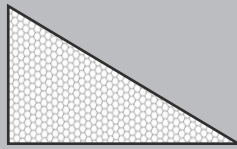
P x2

Wa x2

Vx4



O1x2



O2x2

