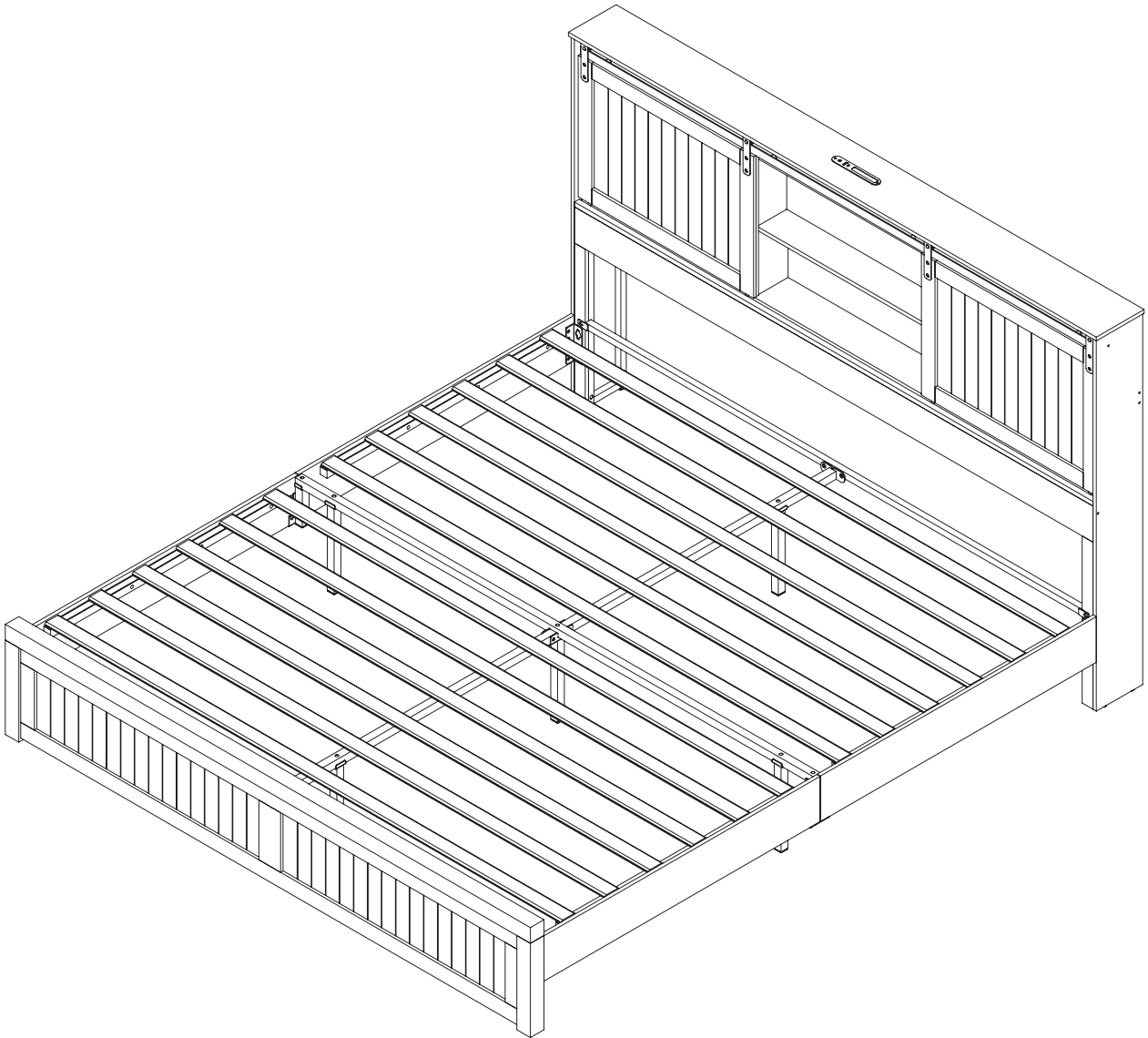


Storage Platform Bed

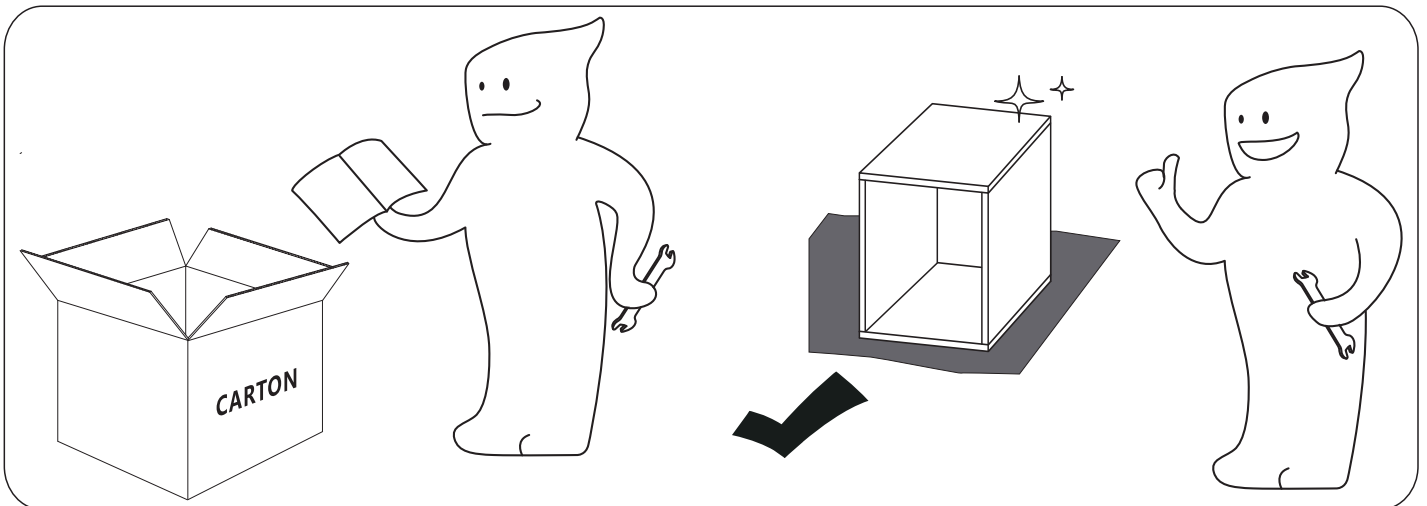
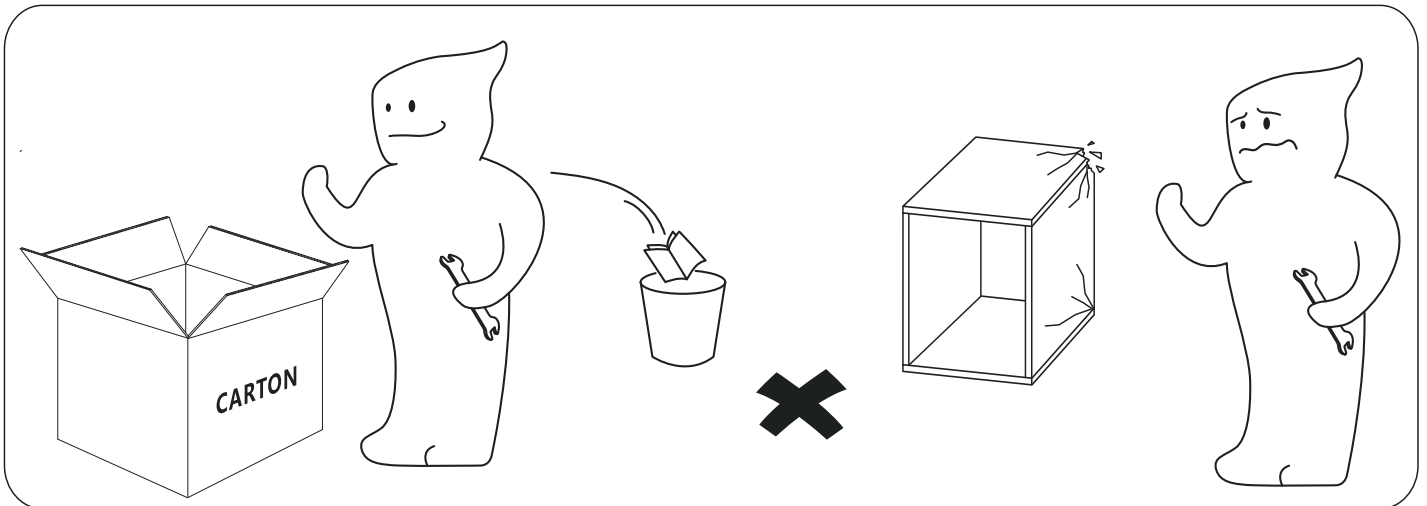


Dear Customers:

Thank you for purchasing our product. Please read this instruction manual carefully after receiving this product. It will help you assemble this product quickly, safely and correctly. You can keep this manual for future reference

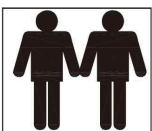
! IMPORTANT

Please follow the instruction manuals and use a pad to protect the product during your assembly.



Note:

1. Should be assembled on flat ground to keep balance.
2. Before completing the installation, do not tighten the screws.



For easier and better assembly, **2** or more adults are required.

NOTICE:

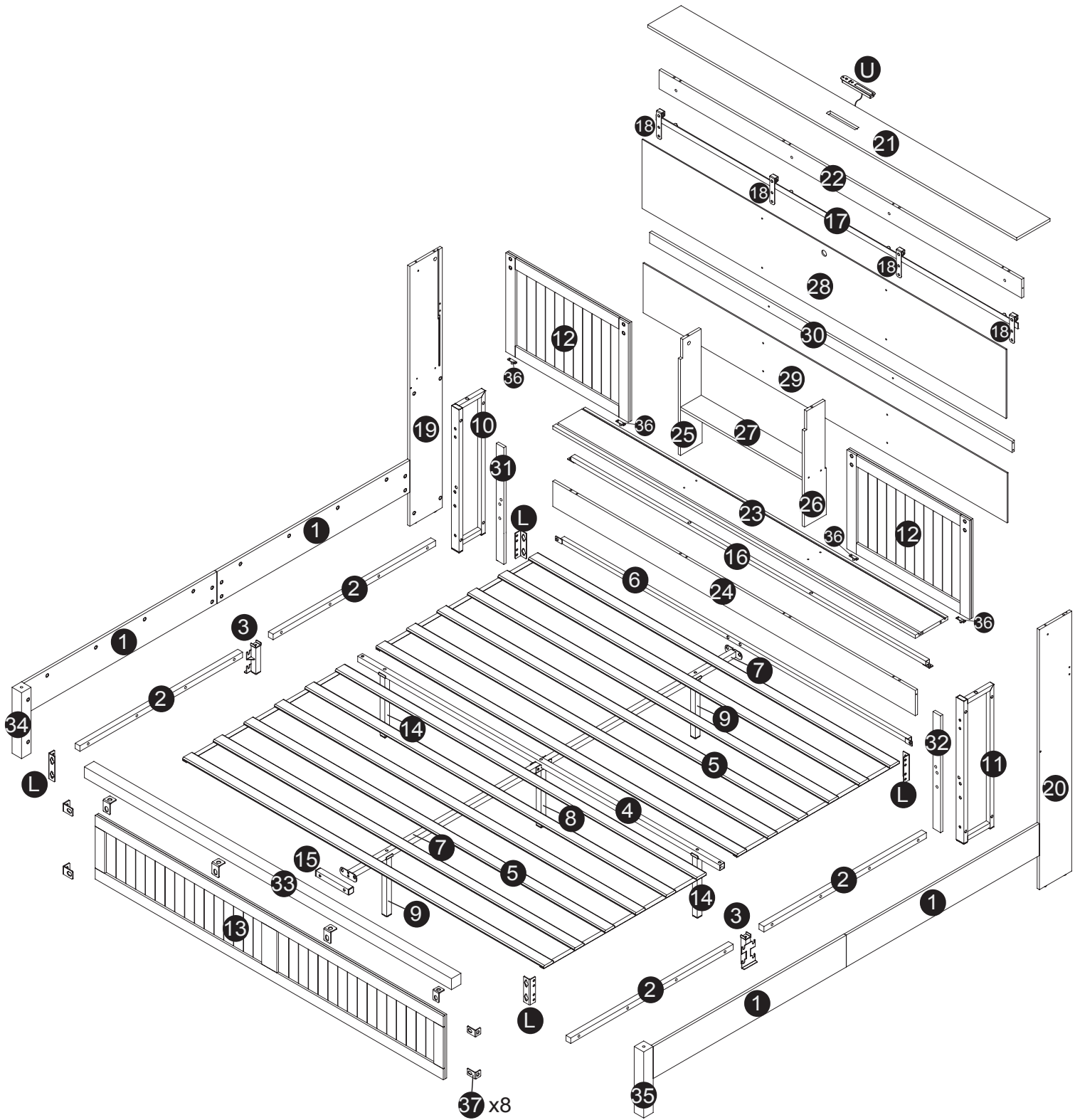
- Please retain these instructions for future reference.
- Please read the instruction sheets completely before assembly. Remove all parts from the carton and ensure all components are included before assembly.
- Assemble the bed on a protected surface to avoid scratching the components of the bed. Be careful not to cross-thread screws. Please use a piece of the cardboard packaging to protect your floor and product.
- Two people are recommended for assembly!
- Don't tighten all screws before you have installed all the parts of the bed.
- When you assemble your bed, if you smell a weird smell of the material, please don't worry it's very Normal. What you should do is to air it for 1 or 2 days on your balcony, patio, or near your window. Our bed has been certified by the environment authority. So please don't worry it won't hurt your health, it's completely safe.

NOTICE:

RETURN/DAMAGE CLAIM INSTRUCTIONS:

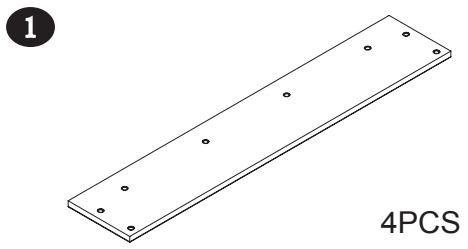
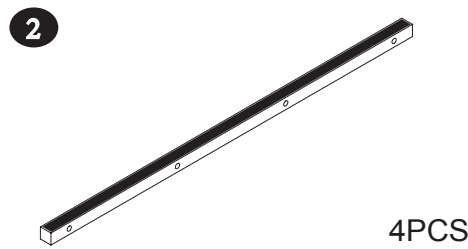
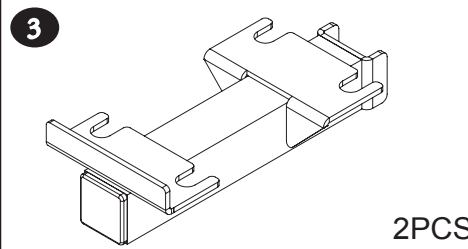
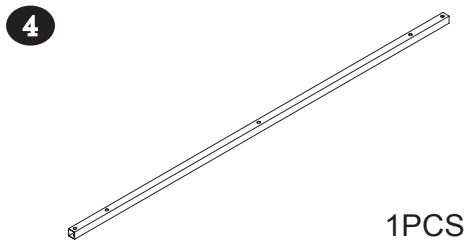
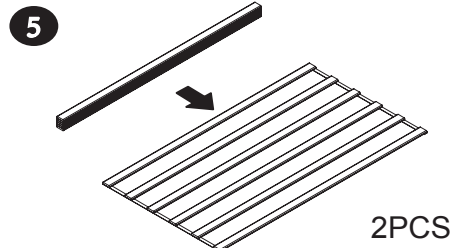
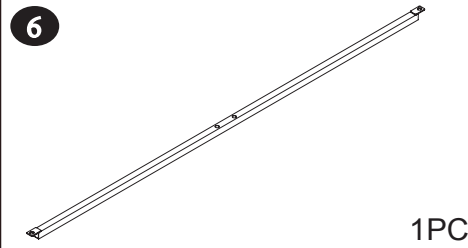

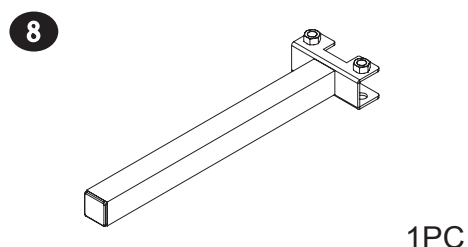
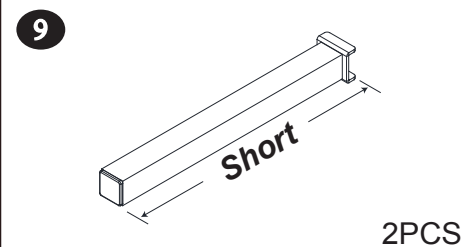
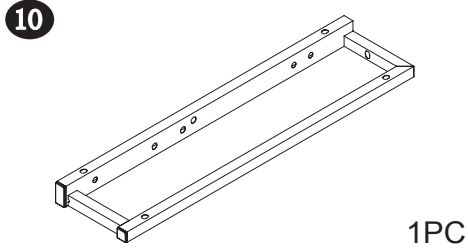
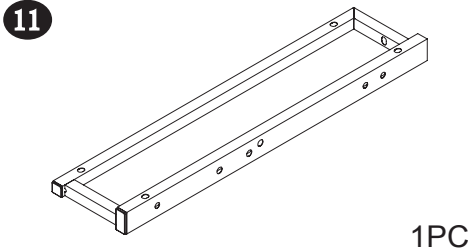
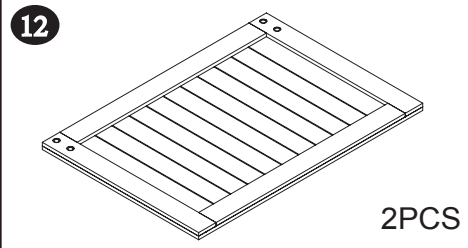
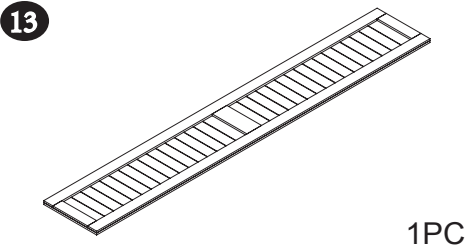
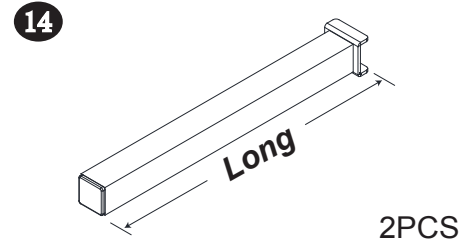
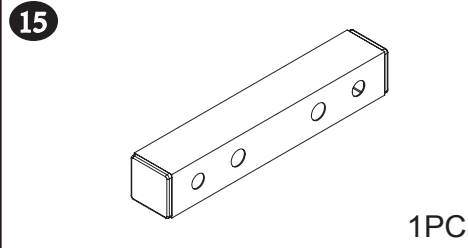
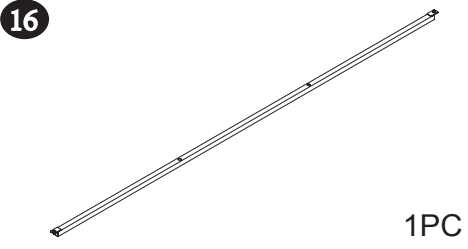
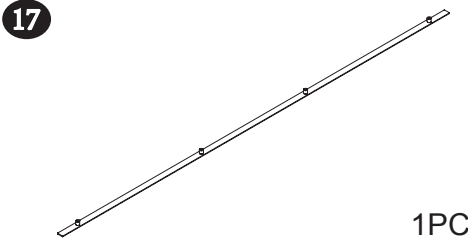
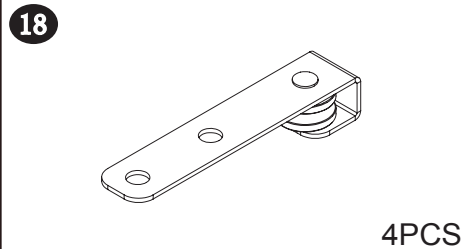
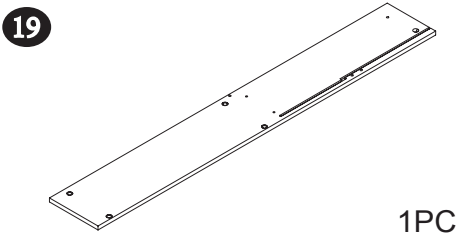
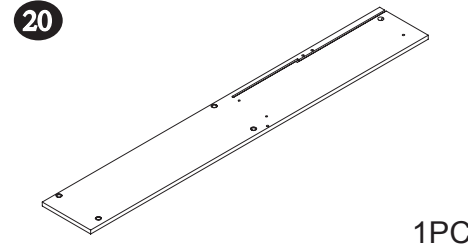
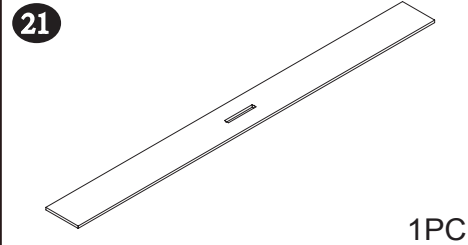
- If the package is damaged, please contact us as soon as possible and attach the damaged photo.
- Return Policy: This item can be returned within 30 days without any reason. If you return this item for personal reasons, you need to bear the freight of returns and order processing fee (0-50% restocking fee based on the invoice price). If the product has quality issues (not caused by humans), we will bear the freight.
- If you need to return the goods, please keep the original box. Please make sure to use the return label provided by us and do not return it without permission. Please do not share a label with multiple boxes.
- If you return the product after 30 days from receiving it, we are afraid that your return application won't be accepted. We appreciate your understanding.
- The warranty product is one year. If this item is damaged within the warranty period we will arrange you the replacement parts free of charge. If the item is damaged for some personal reasons, we could also replace it for you, however you need to bear the transport fees.
- The carved panels on the door frames at the head of the bed and at the foot of the bed must be kept dry. Avoid contact with water and do not wipe them with wet towels.**

ASSEMBLY INSTRUCTIONS



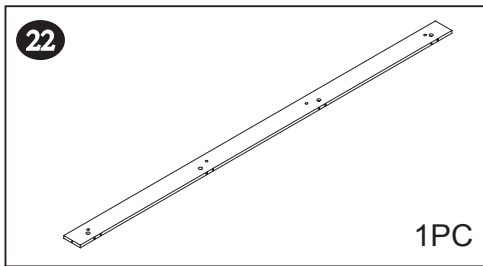
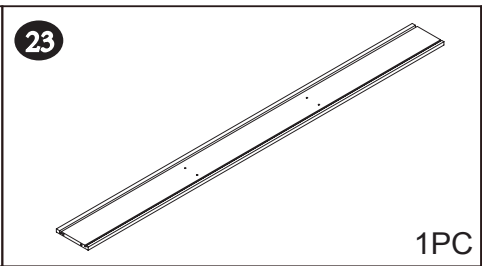
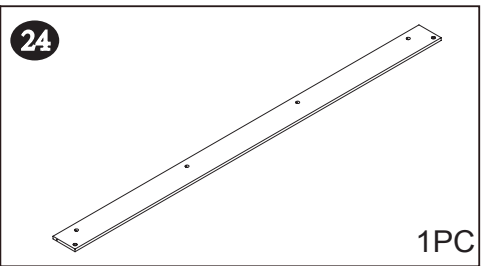
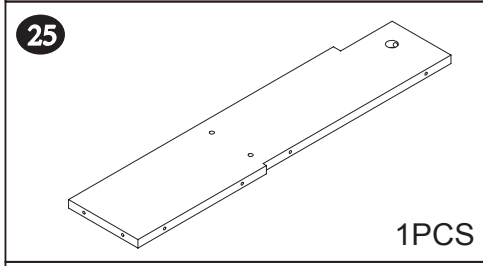
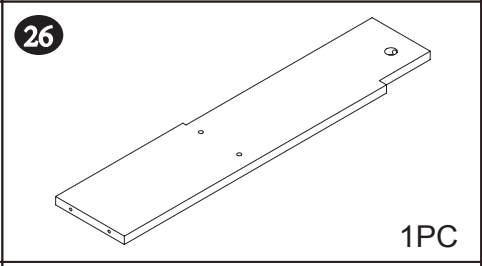
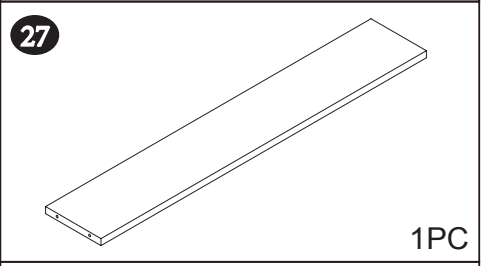
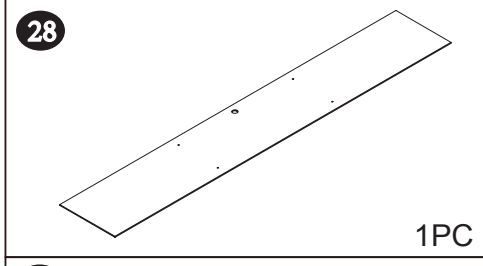
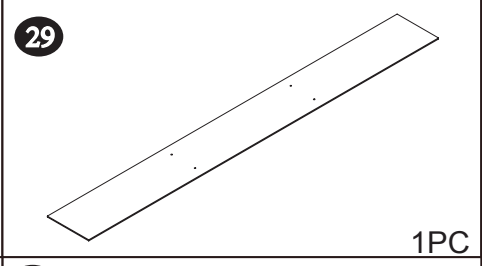
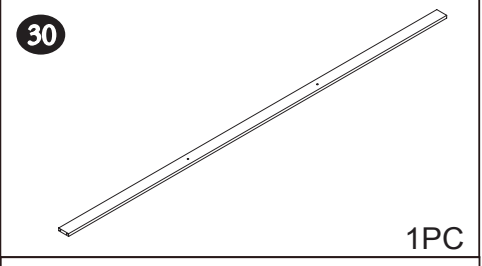
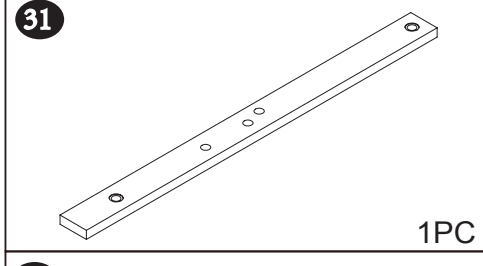
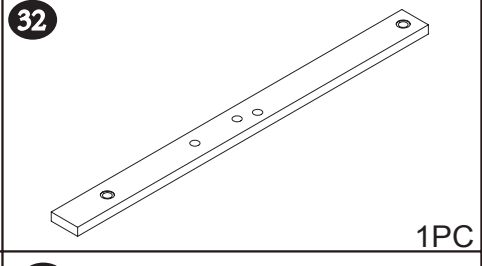
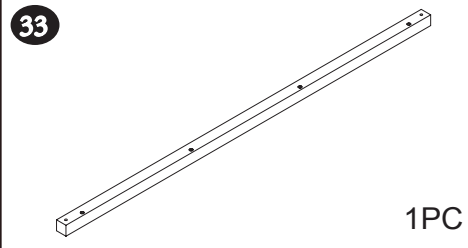
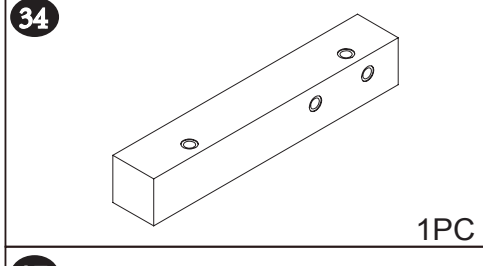
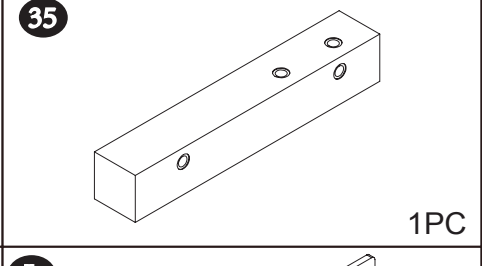
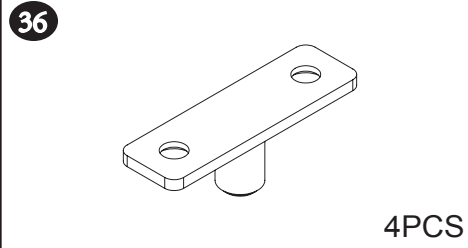
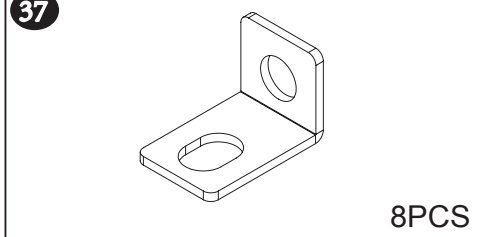
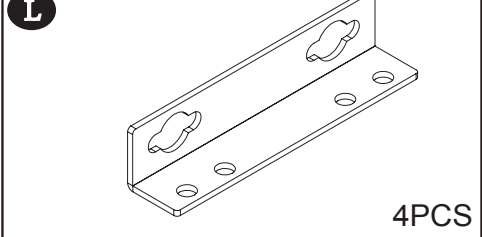
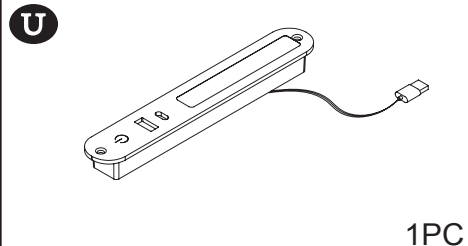
ASSEMBLY INSTRUCTIONS

PARTS LIST

 <p>1</p> <p>4PCS</p>	 <p>2</p> <p>4PCS</p>	 <p>3</p> <p>2PCS</p>
 <p>4</p> <p>1PCS</p>	 <p>5</p> <p>2PCS</p>	 <p>6</p> <p>1PC</p>
 <p>7</p> <p>2PCS</p>	 <p>8</p> <p>1PC</p>	 <p>9</p> <p>Short</p> <p>2PCS</p>
 <p>10</p> <p>1PC</p>	 <p>11</p> <p>1PC</p>	 <p>12</p> <p>2PCS</p>
 <p>13</p> <p>1PC</p>	 <p>14</p> <p>Long</p> <p>2PCS</p>	 <p>15</p> <p>1PC</p>
 <p>16</p> <p>1PC</p>	 <p>17</p> <p>1PC</p>	 <p>18</p> <p>4PCS</p>
 <p>19</p> <p>1PC</p>	 <p>20</p> <p>1PC</p>	 <p>21</p> <p>1PC</p>

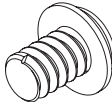
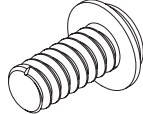
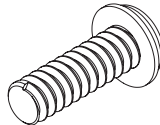
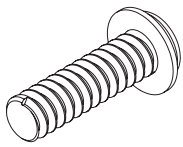
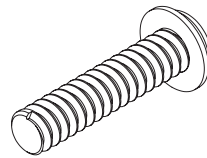
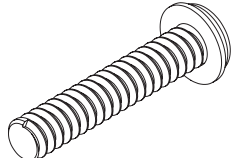
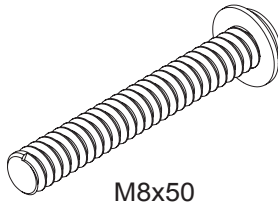
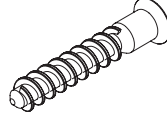
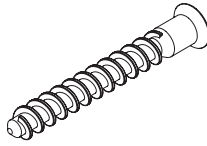
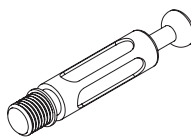
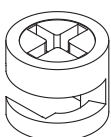
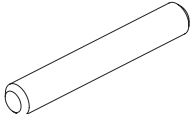
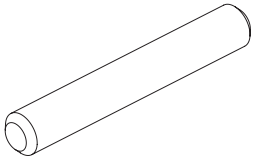

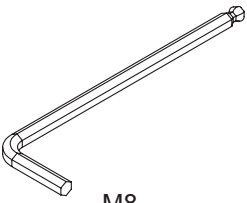
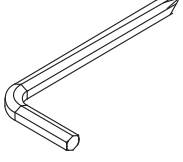
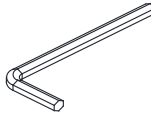
ASSEMBLY INSTRUCTIONS

PARTS LIST

 <p>22</p> <p>1PC</p>	 <p>23</p> <p>1PC</p>	 <p>24</p> <p>1PC</p>
 <p>25</p> <p>1PCS</p>	 <p>26</p> <p>1PC</p>	 <p>27</p> <p>1PC</p>
 <p>28</p> <p>1PC</p>	 <p>29</p> <p>1PC</p>	 <p>30</p> <p>1PC</p>
 <p>31</p> <p>1PC</p>	 <p>32</p> <p>1PC</p>	 <p>33</p> <p>1PC</p>
 <p>34</p> <p>1PC</p>	 <p>35</p> <p>1PC</p>	 <p>36</p> <p>4PCS</p>
 <p>37</p> <p>8PCS</p>	 <p>L</p> <p>4PCS</p>	 <p>U</p> <p>1PC</p>

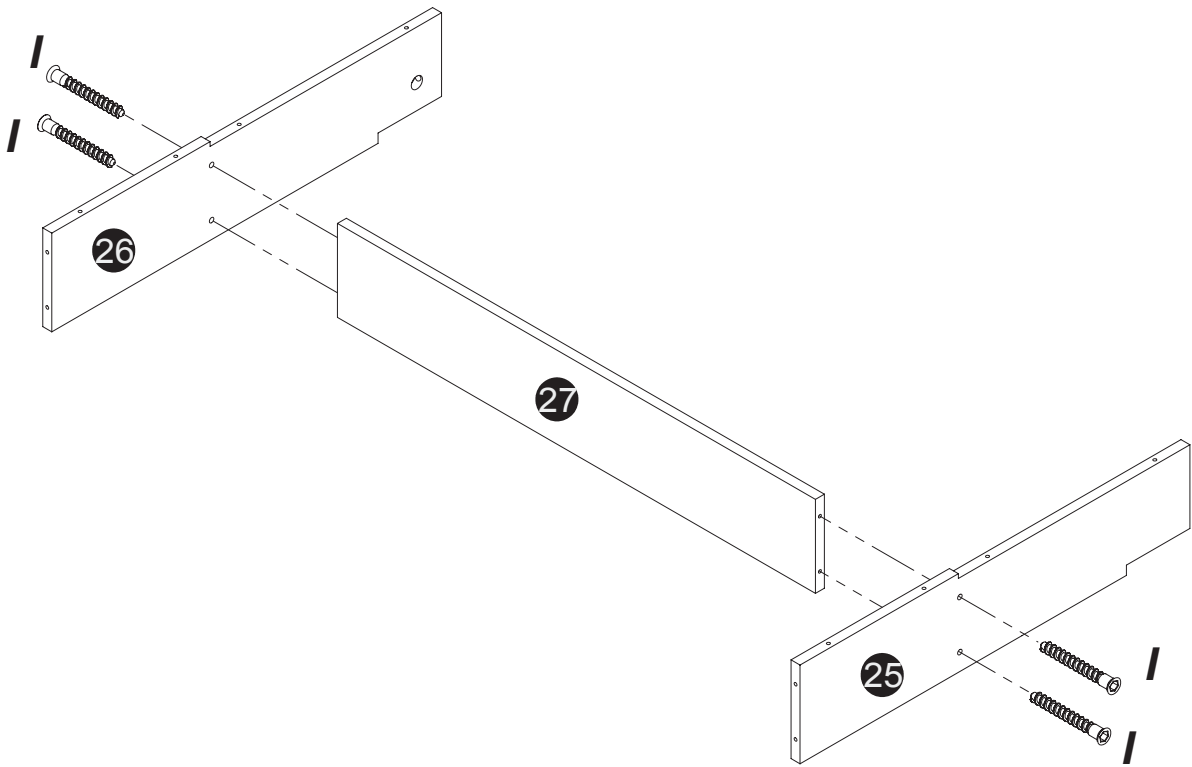
ASSEMBLY INSTRUCTIONS


Hardware List

A  M8x12 16PCS	B  M8x16 Colored Zinc 32PCS	C  M8x25 4PCS
D  M8x28 Colored Zinc 12PCS	E  M8x33 24PCS	F  M8x38 Colored Zinc 10PCS
G  M8x50 5PCS	H  M5x30 6PCS	I  M5x40 18PCS
J  φ7x40 16PCS	M  φ15x9.5 16PCS	N  10PCS
O  2PCS	P  ST4x12 10PCS	Q  M8 1PC
R  M8 1PC	S  M5 1PC	

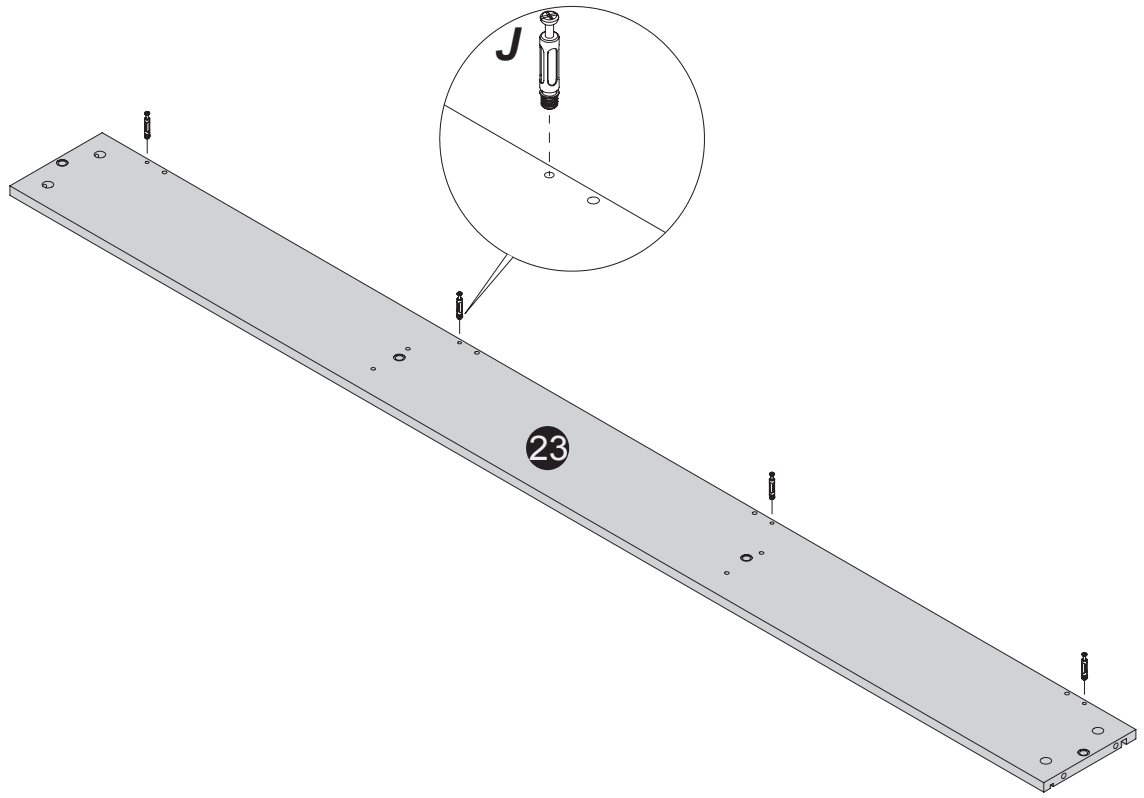
ASSEMBLY INSTRUCTIONS

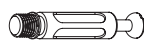
1



I  \varnothing 5x40mm
x4

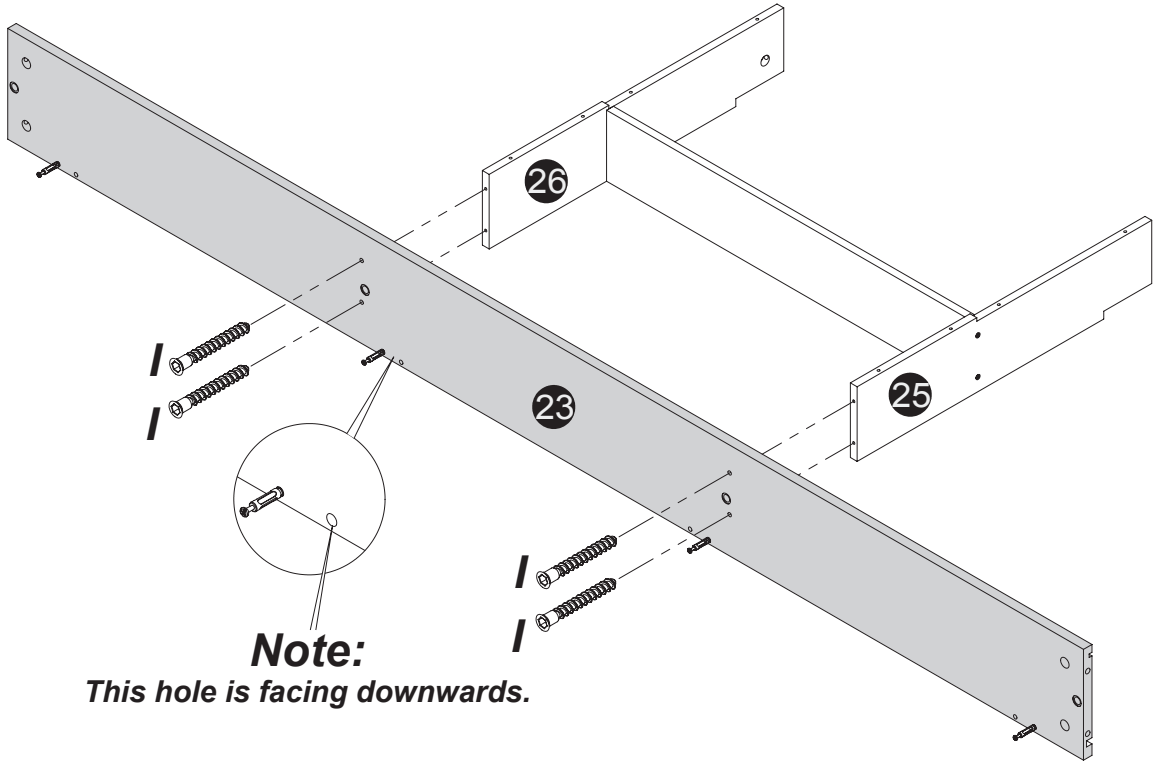
2



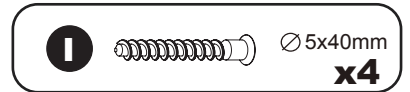
J  \varnothing 7x40mm
x4

ASSEMBLY INSTRUCTIONS

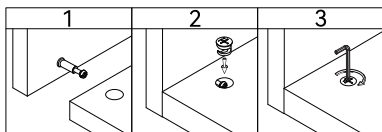
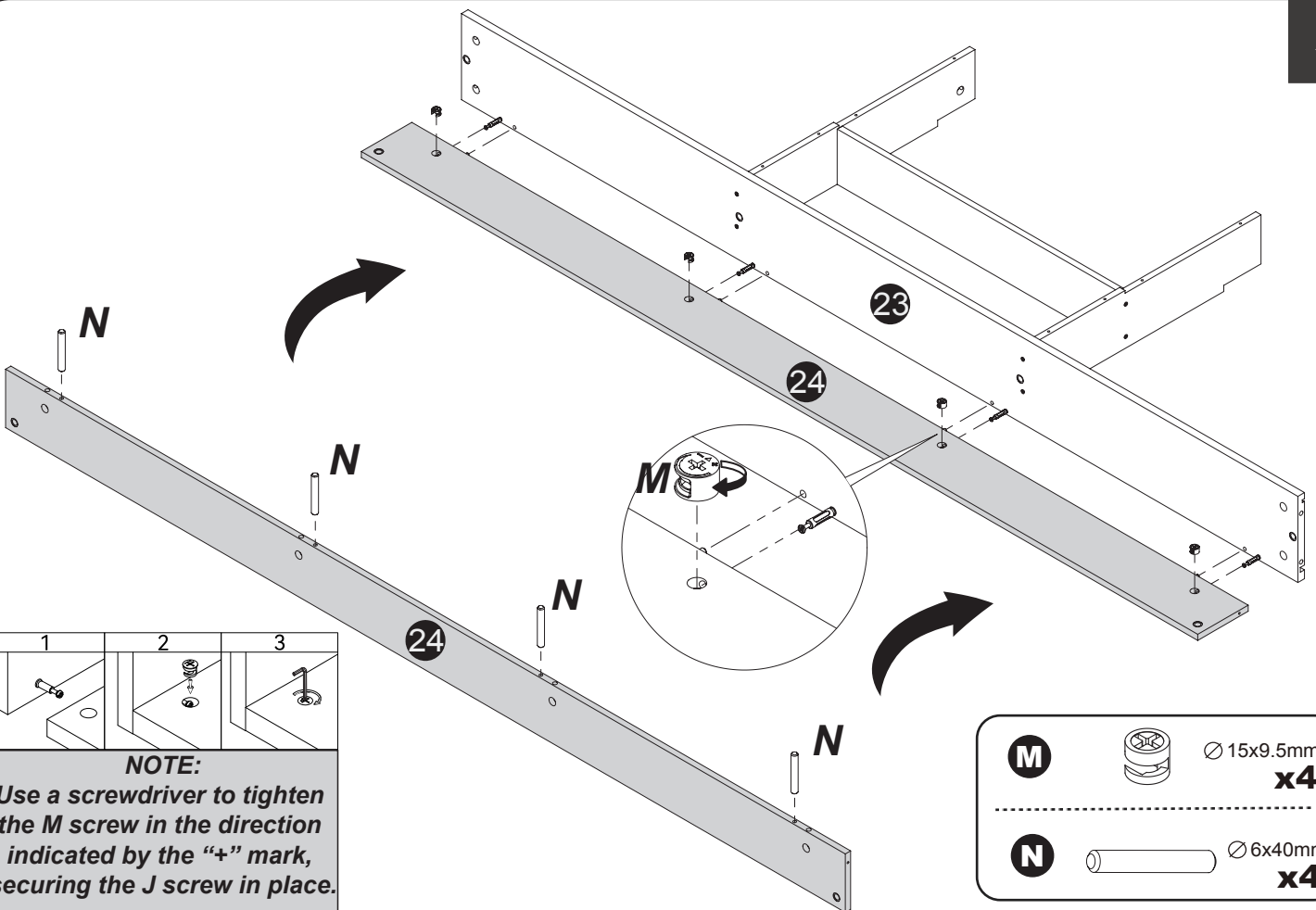
3



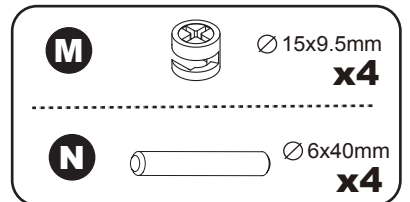
Note:
This hole is facing downwards.



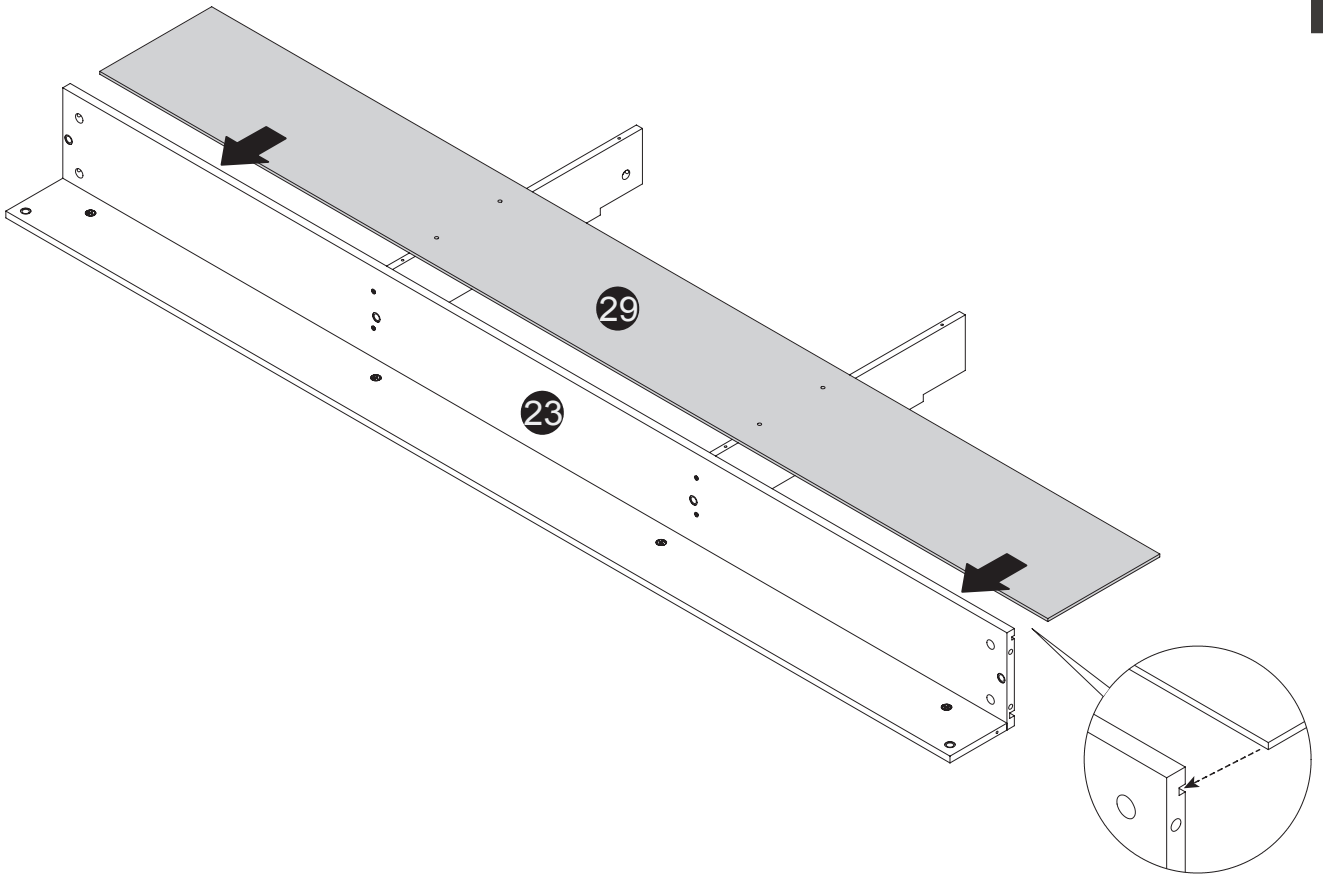
4



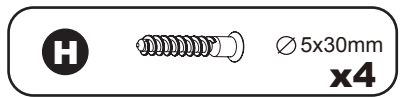
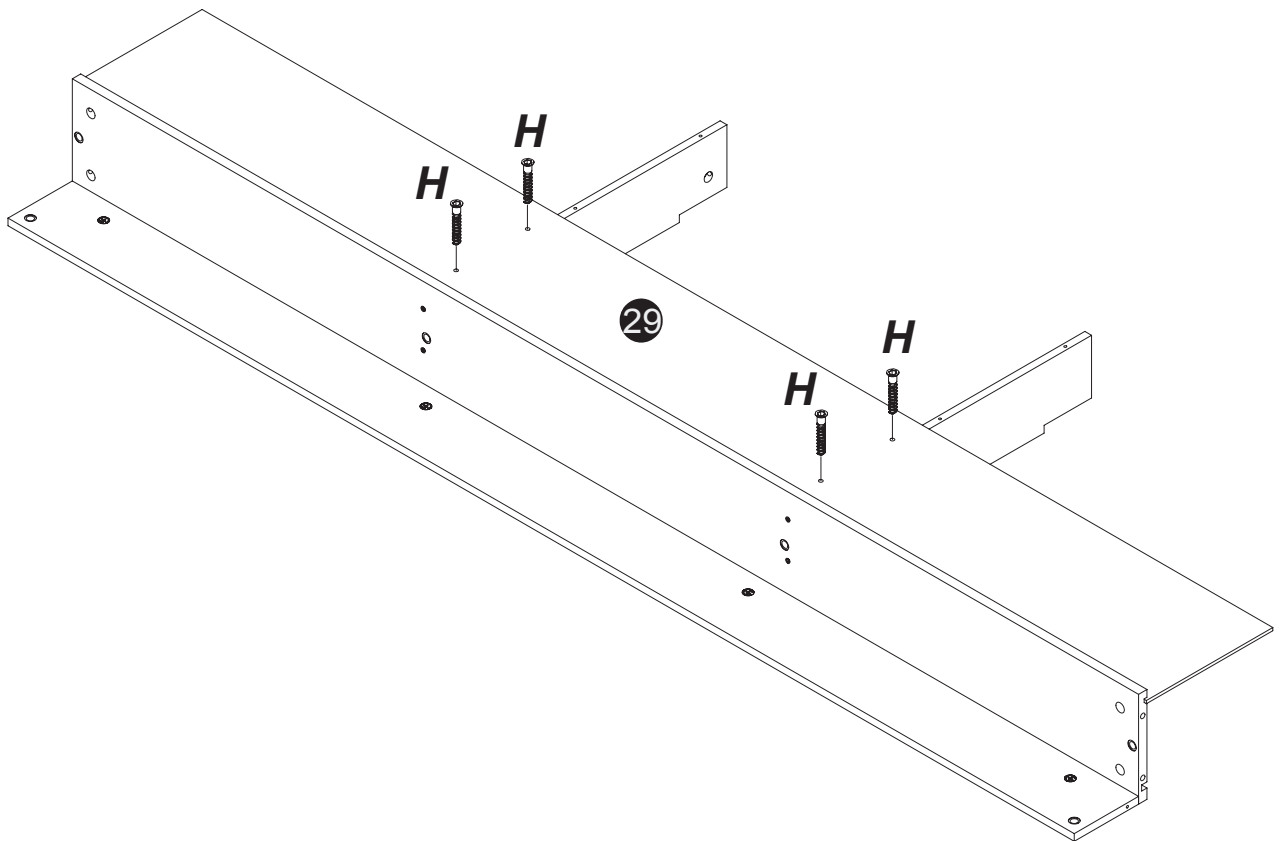
NOTE:
Use a screwdriver to tighten the M screw in the direction indicated by the "+" mark, securing the J screw in place.



5

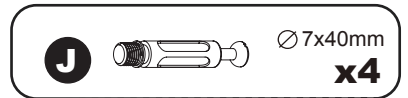
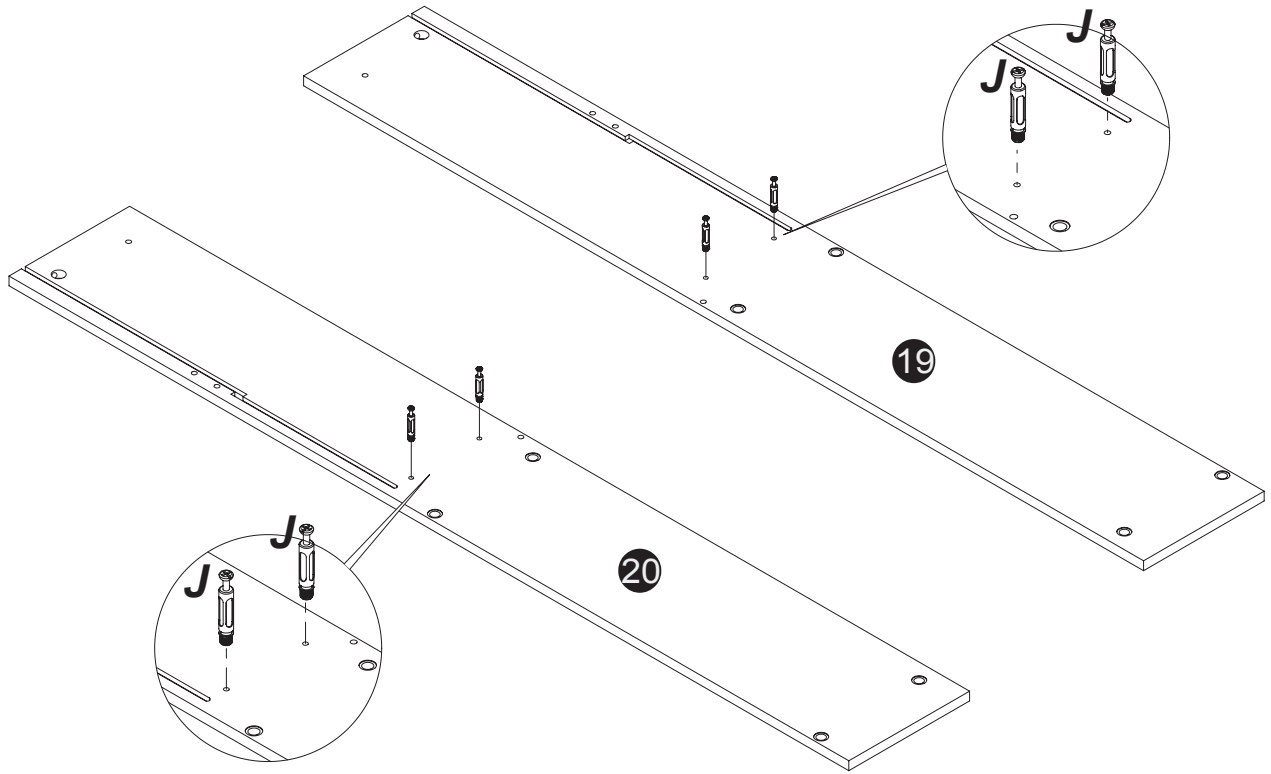


6

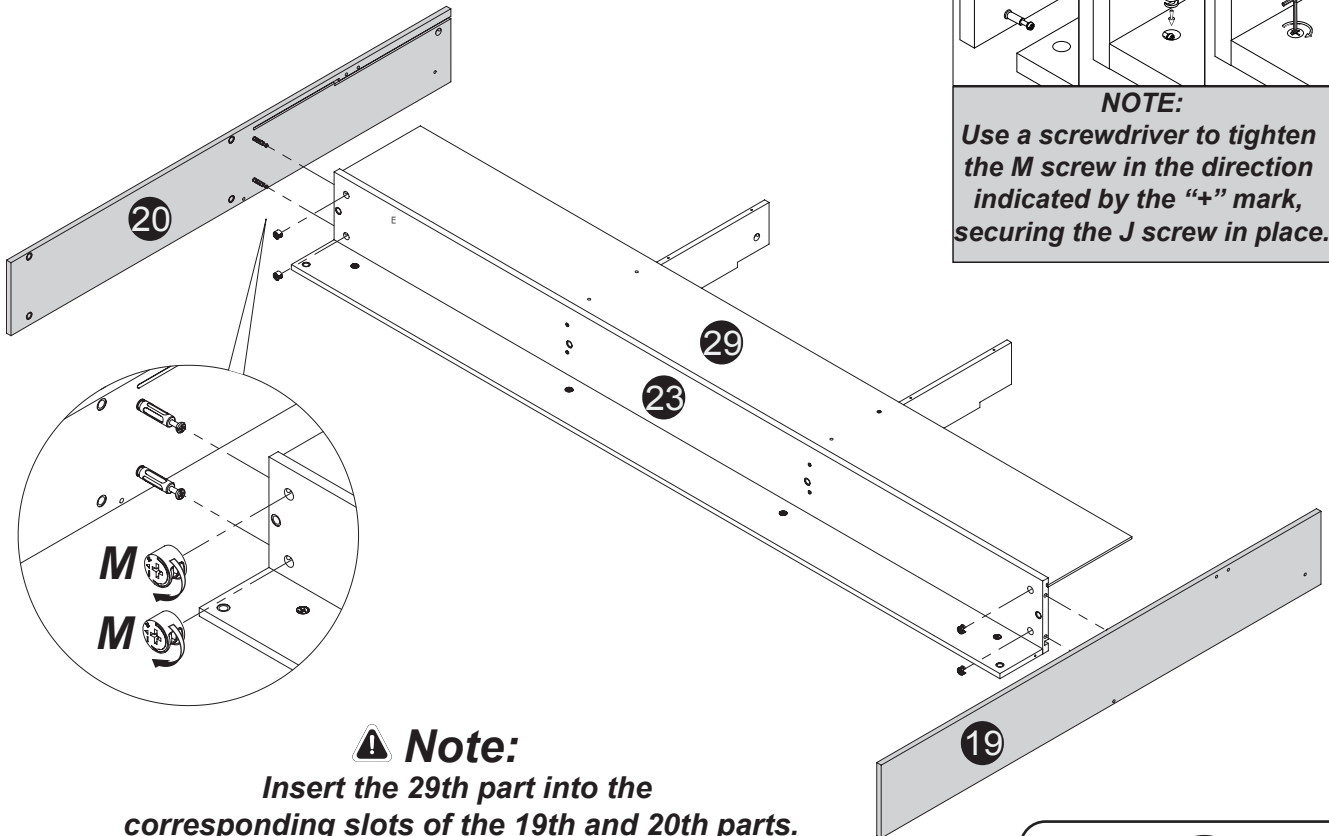


ASSEMBLY INSTRUCTIONS

7

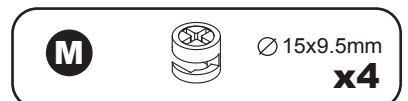


8



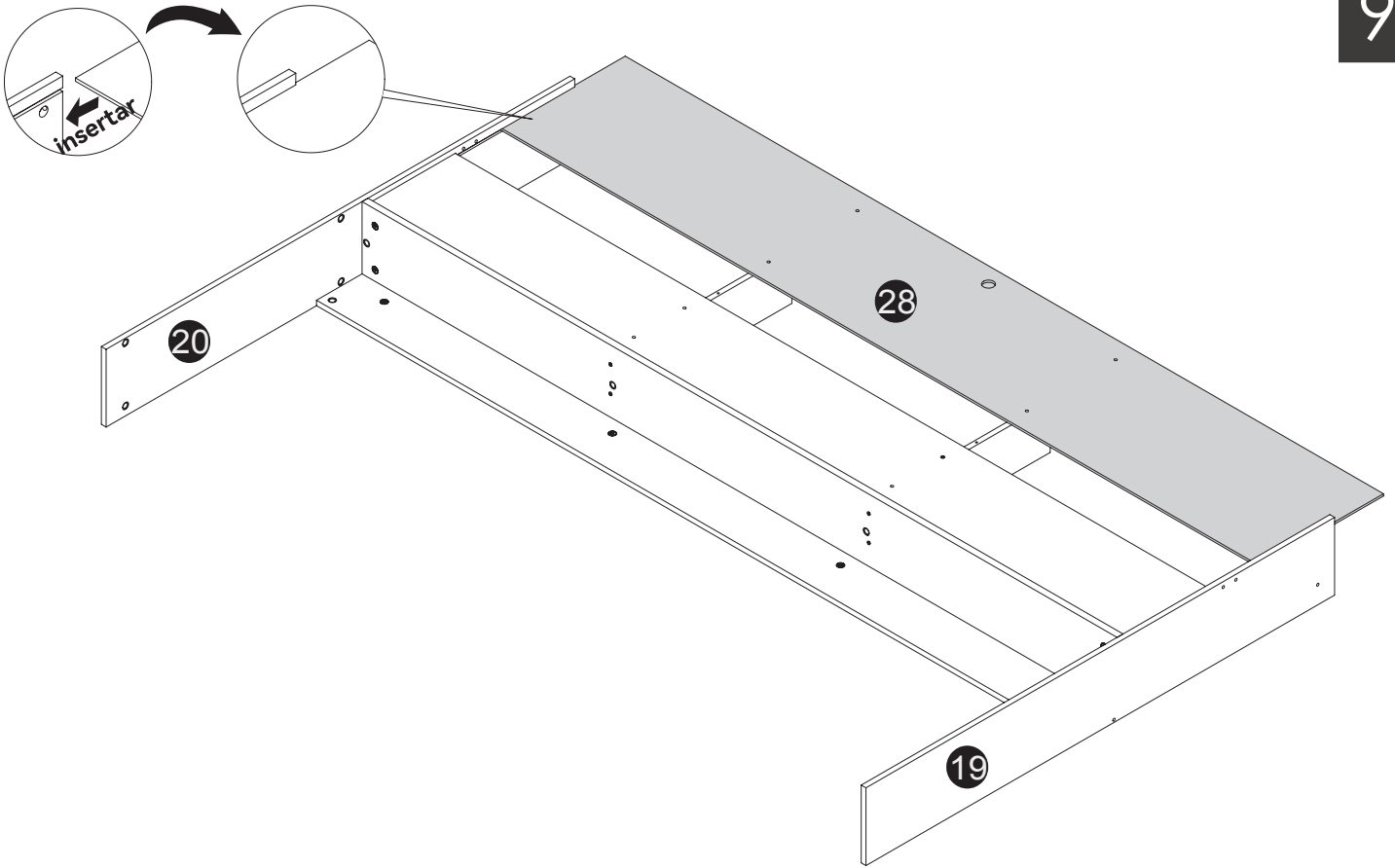
NOTE:
Use a screwdriver to tighten the M screw in the direction indicated by the "+" mark, securing the J screw in place.

⚠ Note:
Insert the 29th part into the corresponding slots of the 19th and 20th parts.

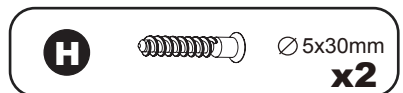
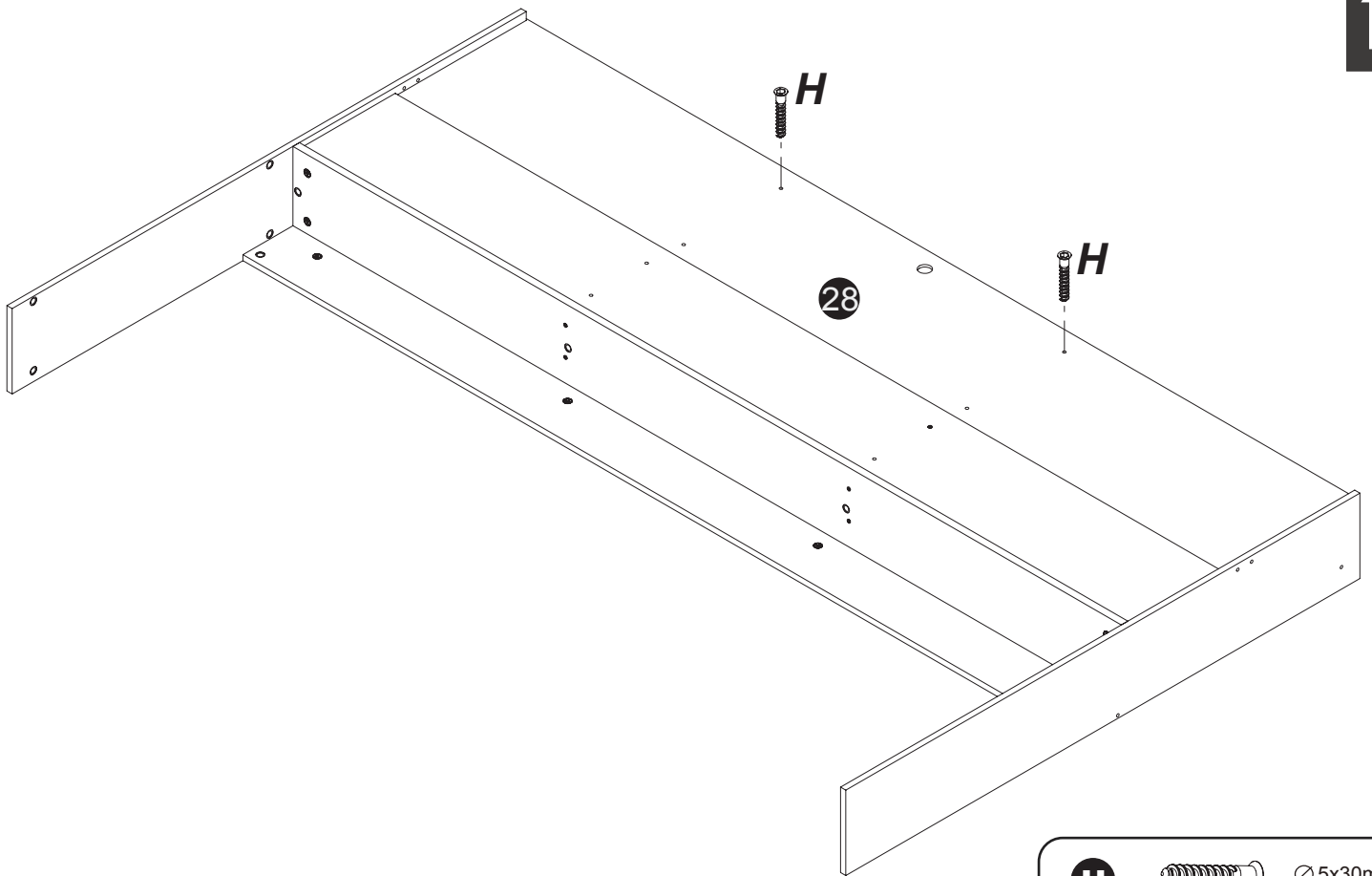


ASSEMBLY INSTRUCTIONS

9

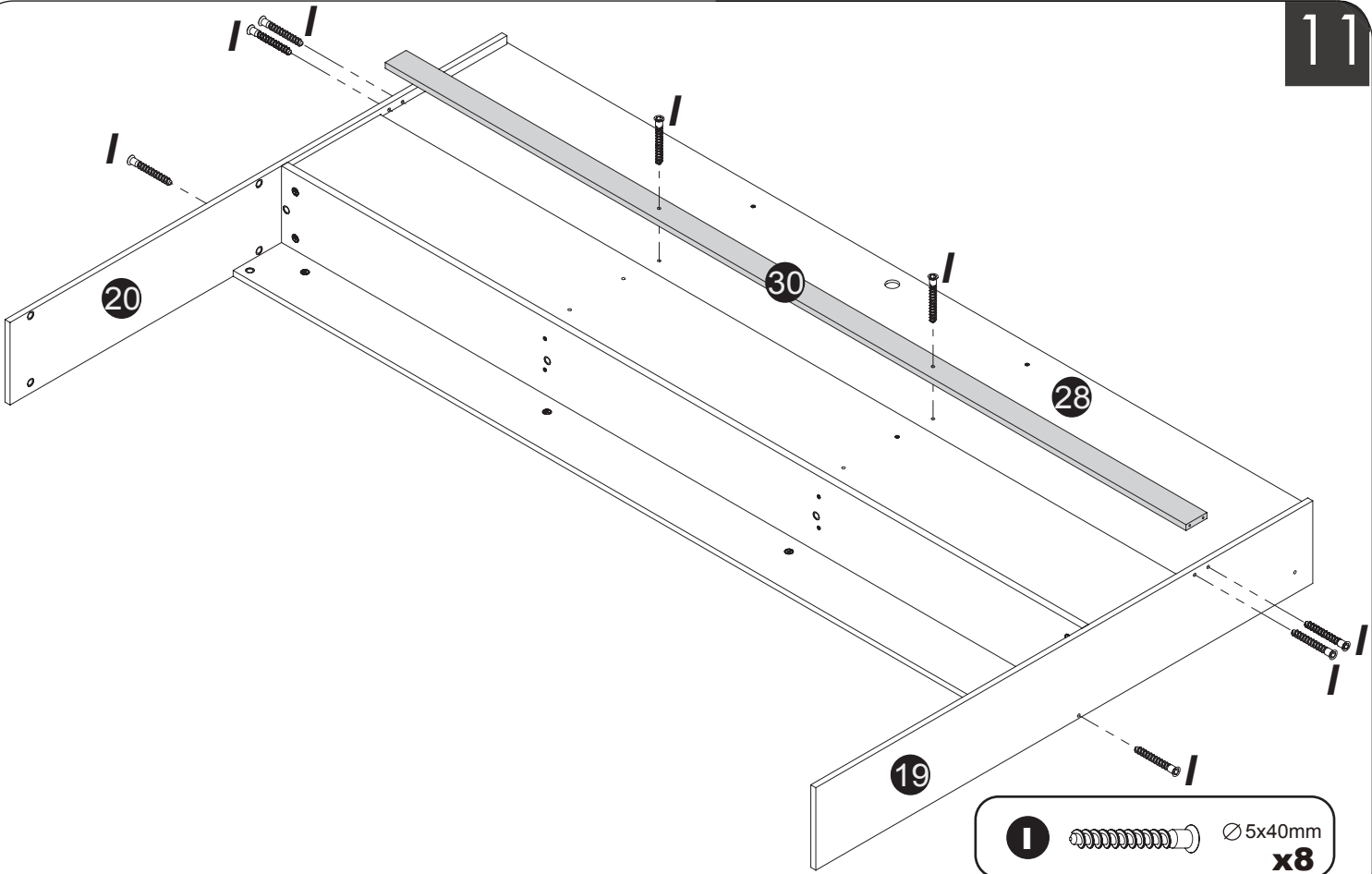


10

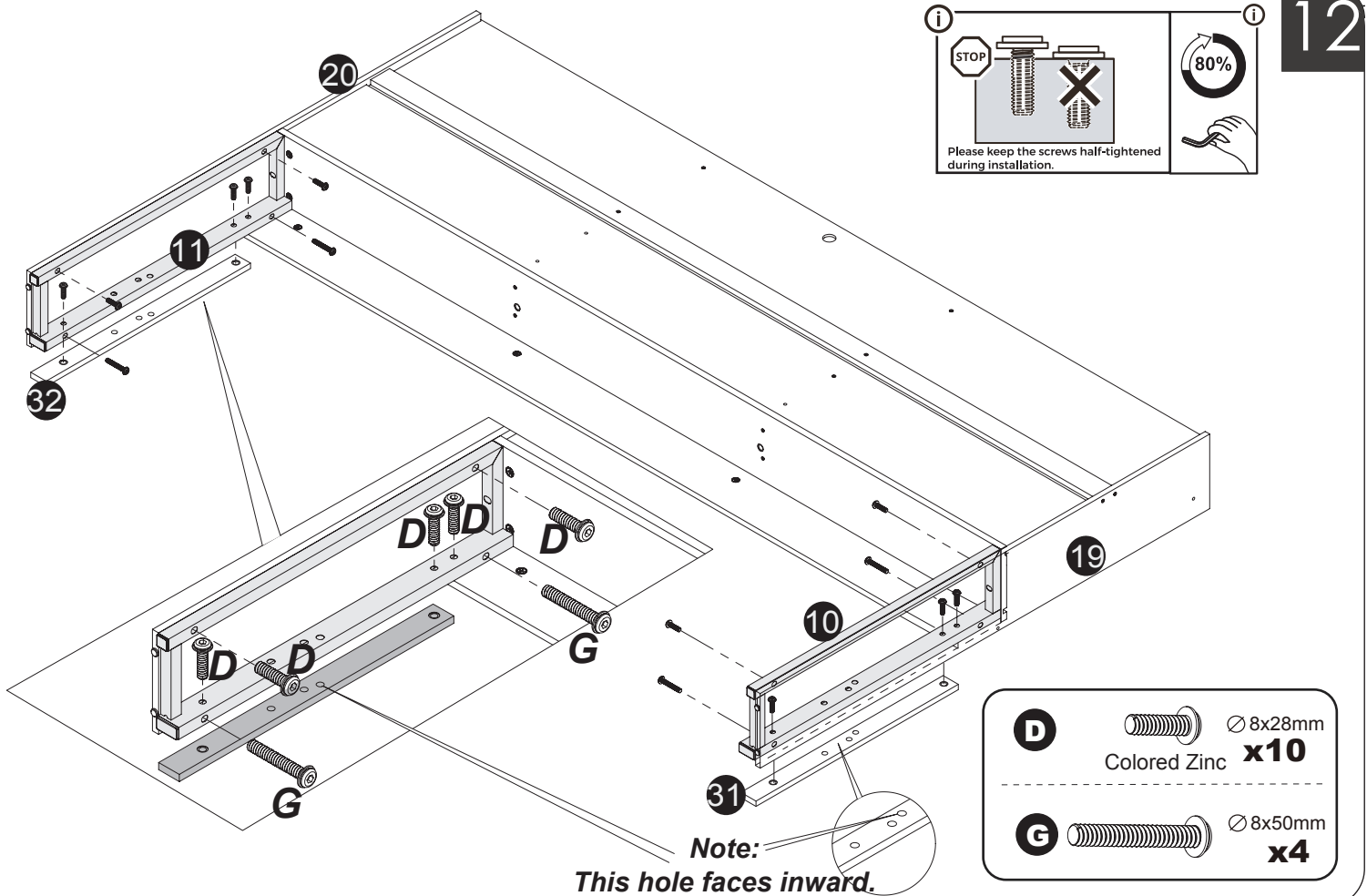


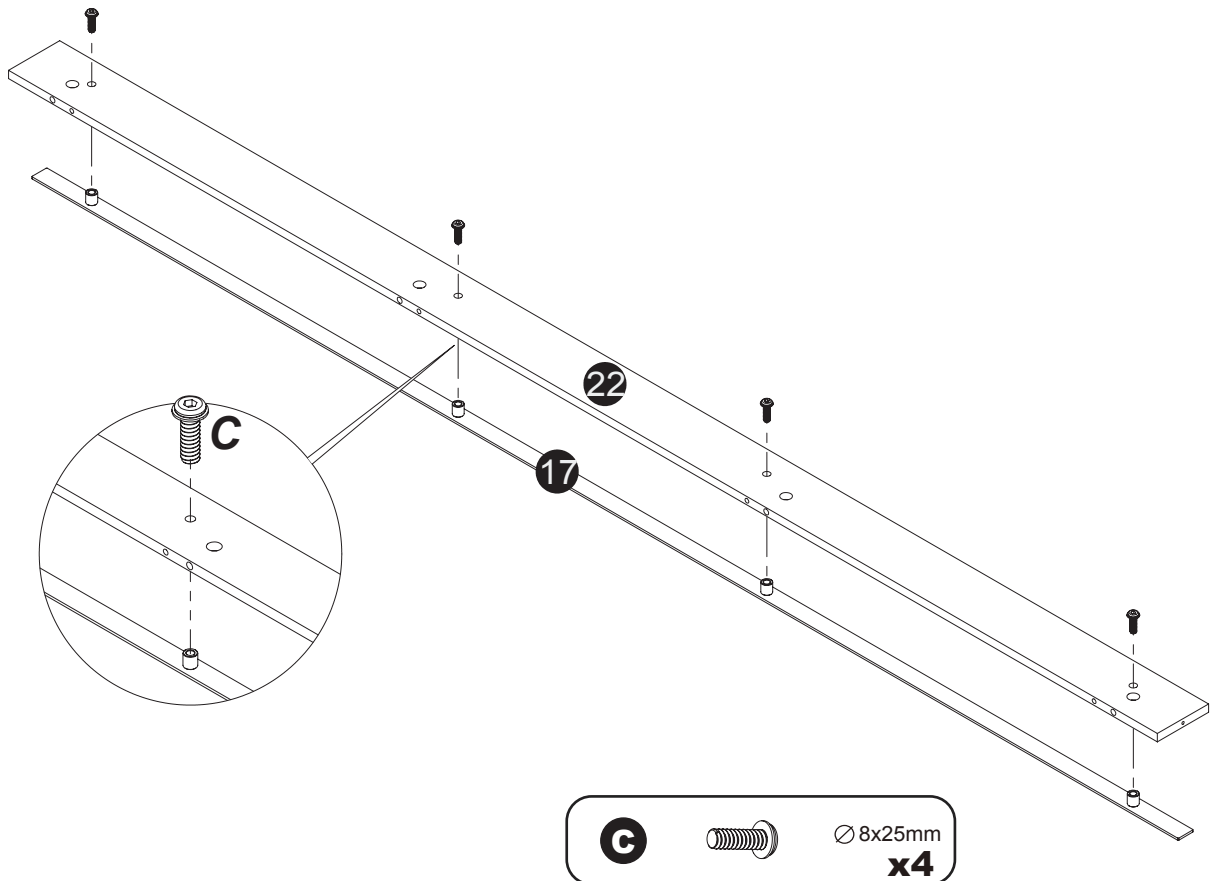
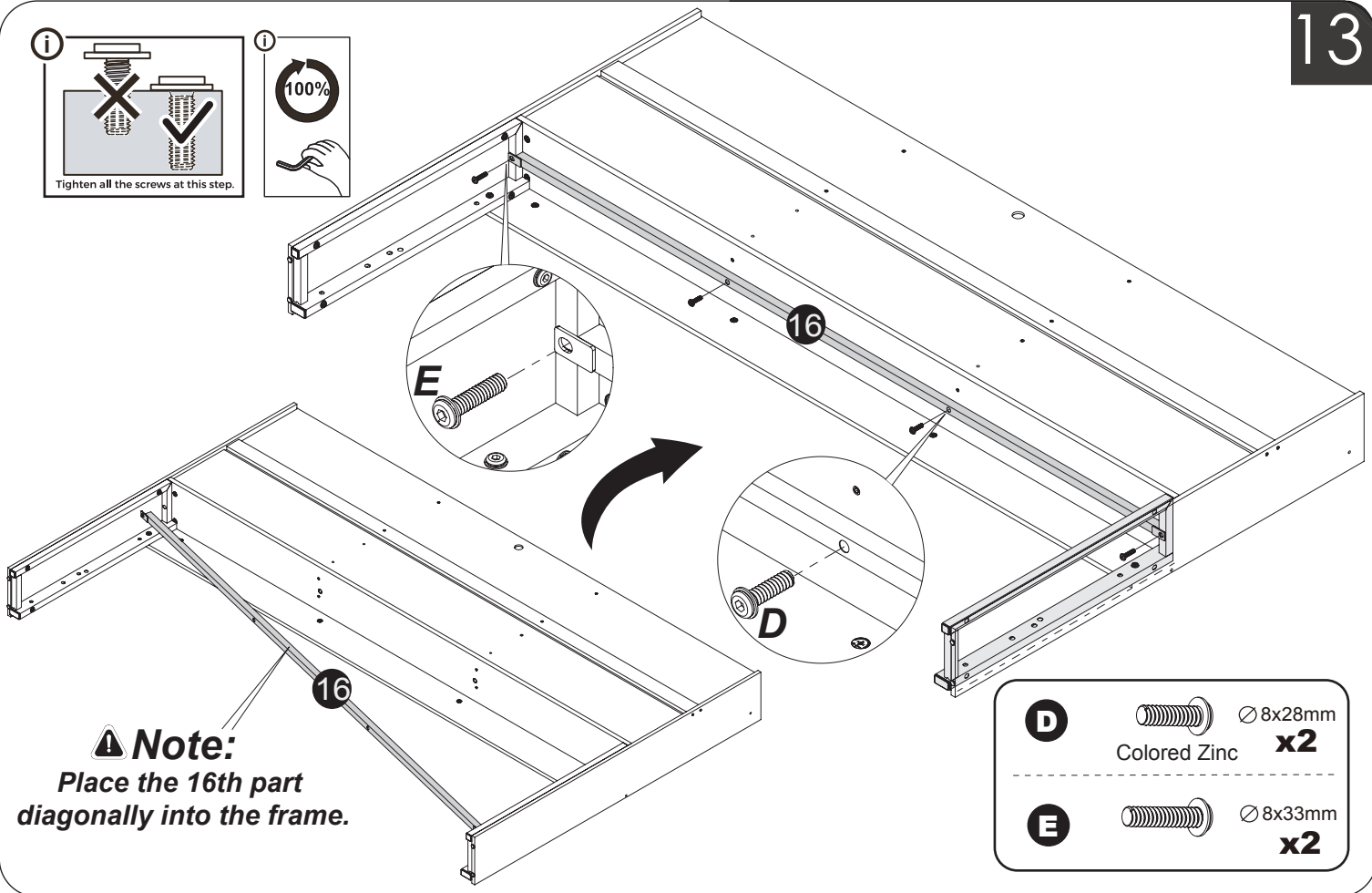
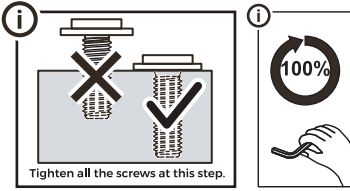
ASSEMBLY INSTRUCTIONS

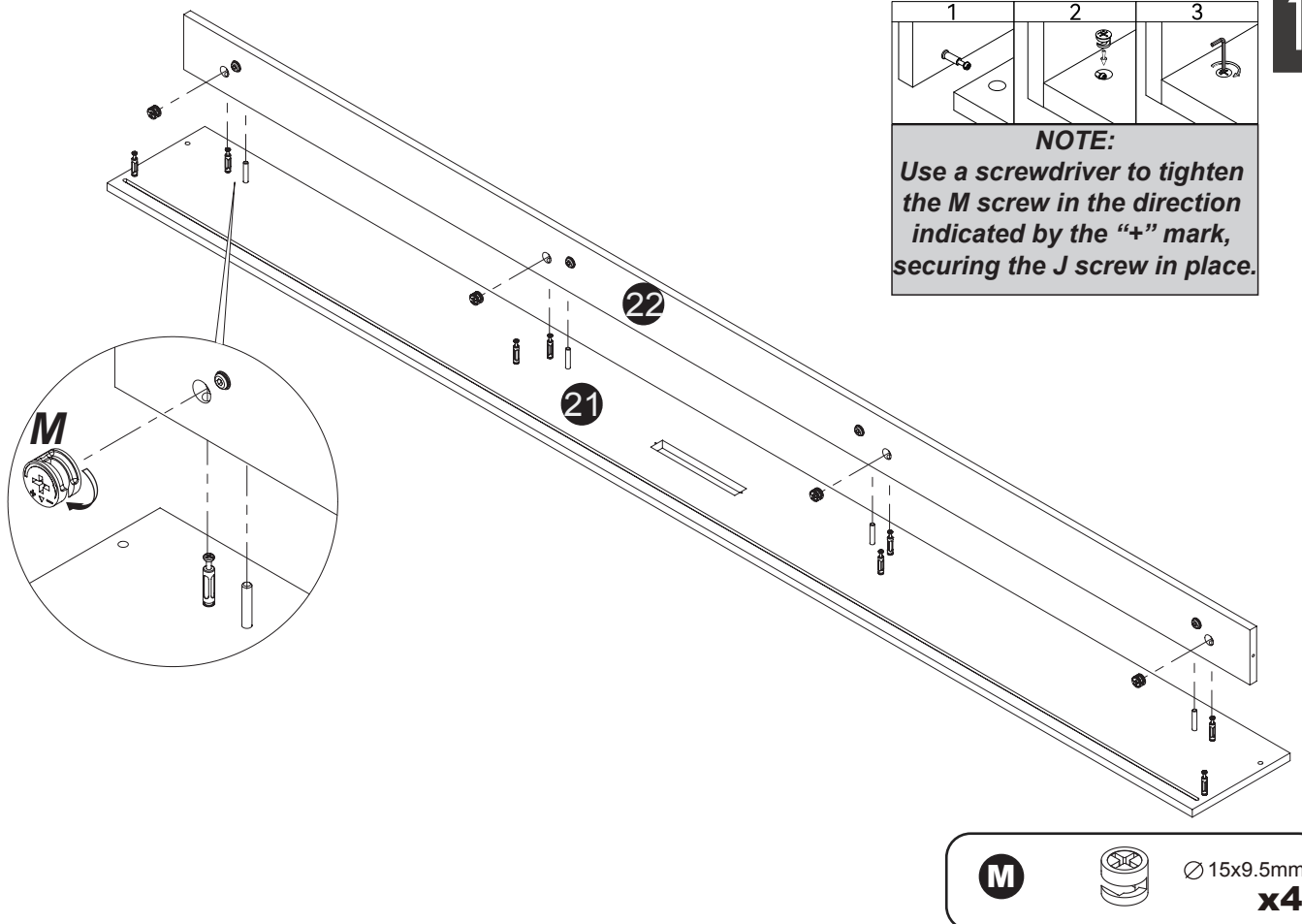
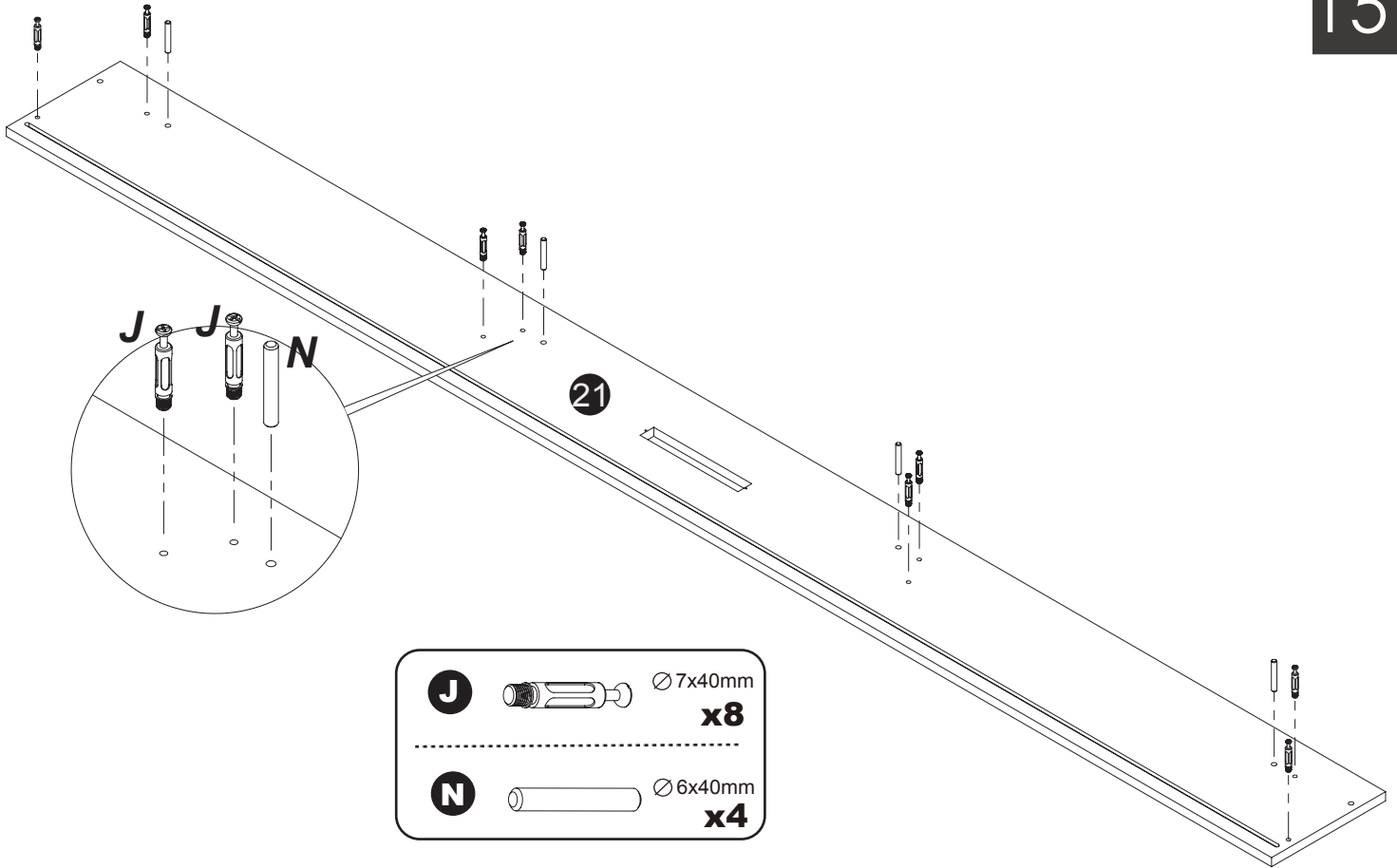
11



12

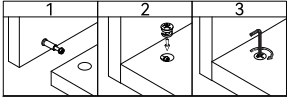




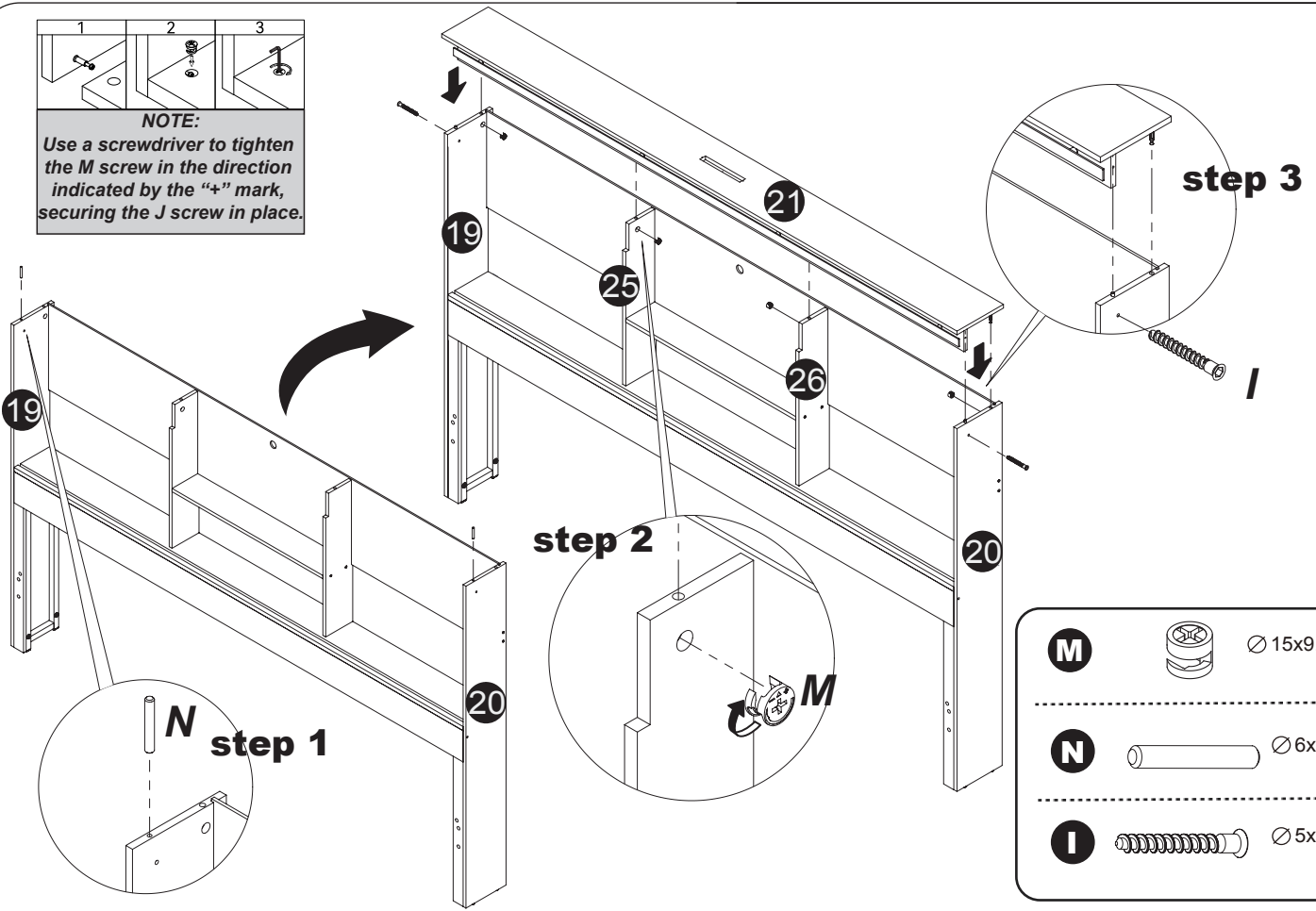


ASSEMBLY INSTRUCTIONS

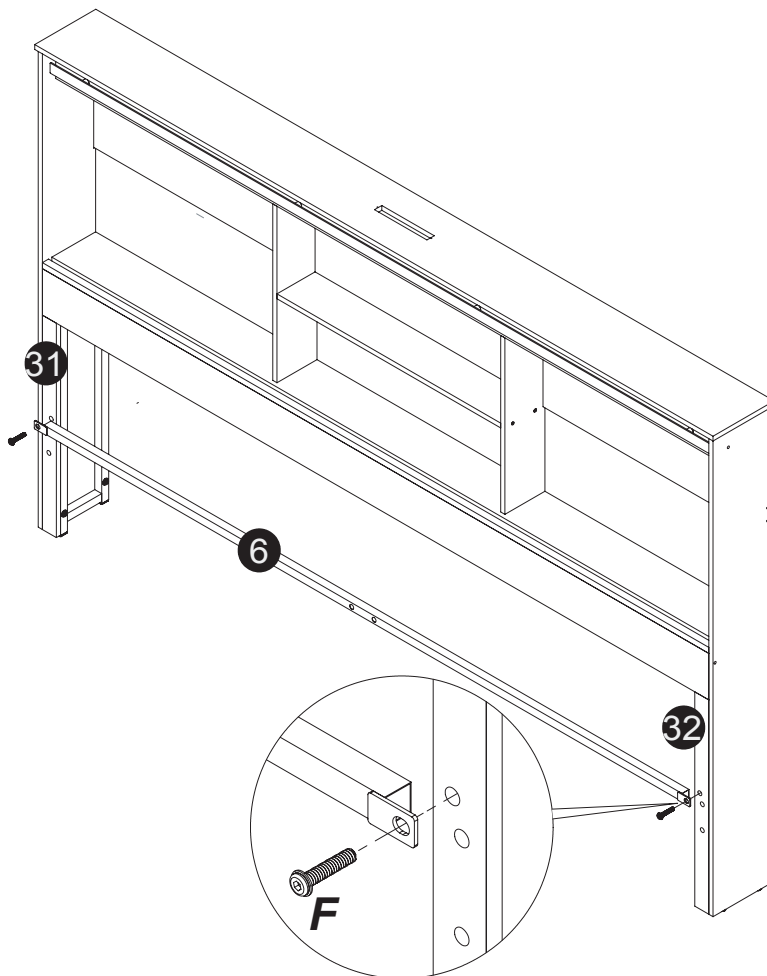
17

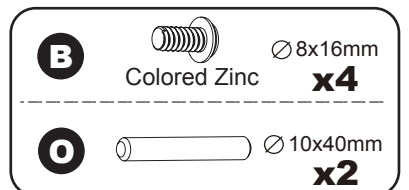
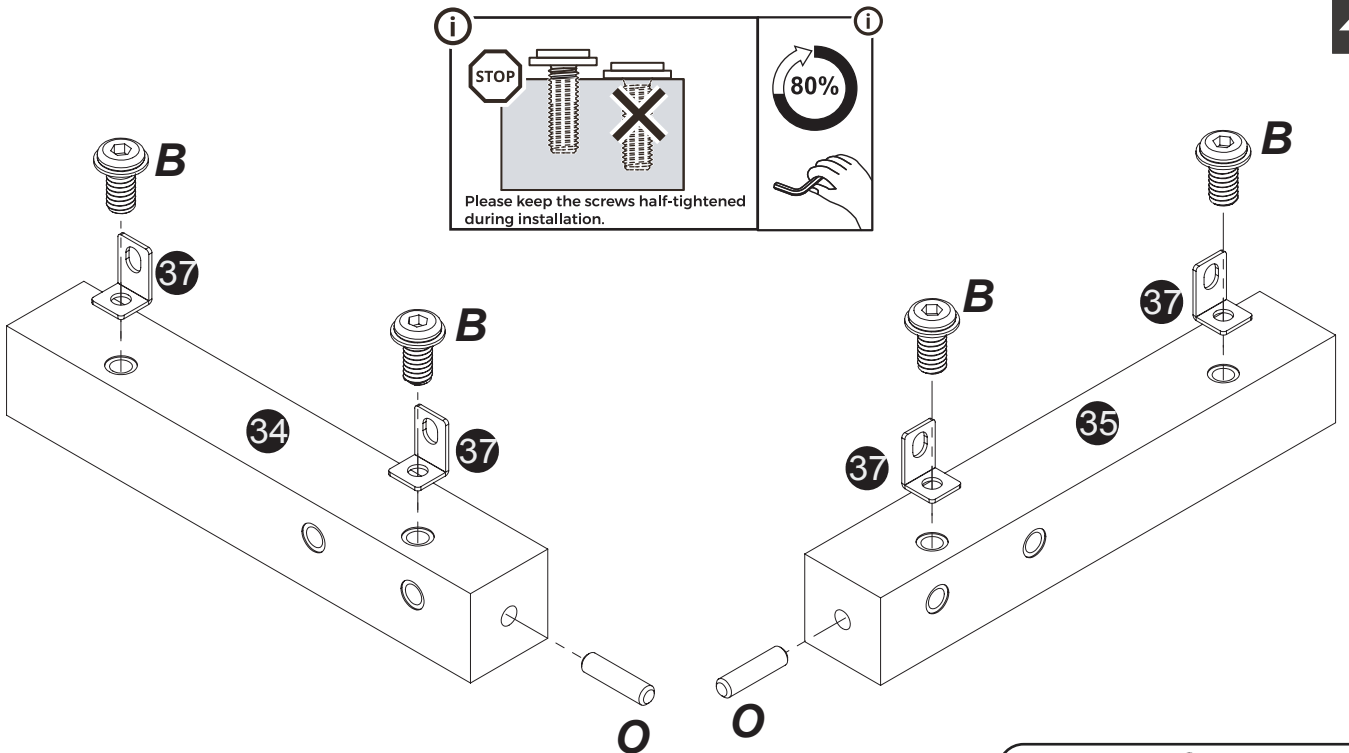
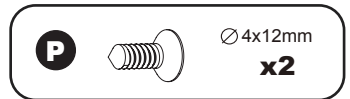
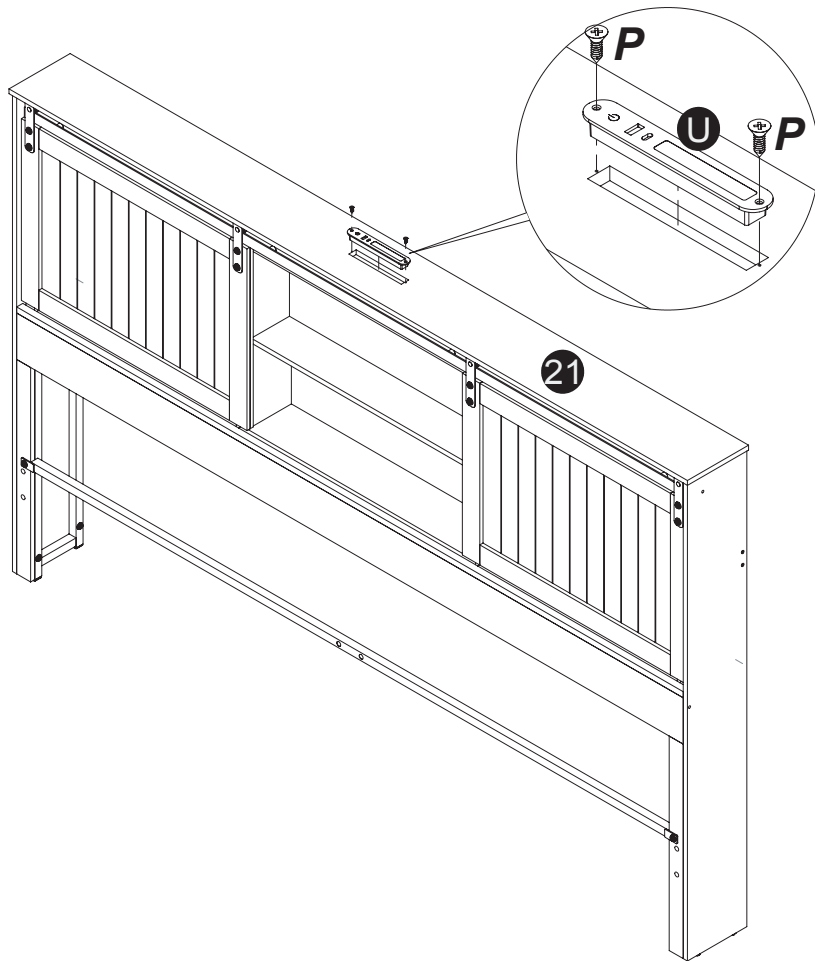


NOTE:
Use a screwdriver to tighten the *M* screw in the direction indicated by the "+" mark, securing the *J* screw in place.



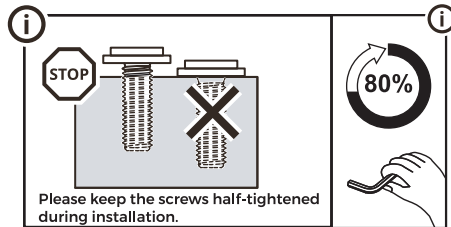
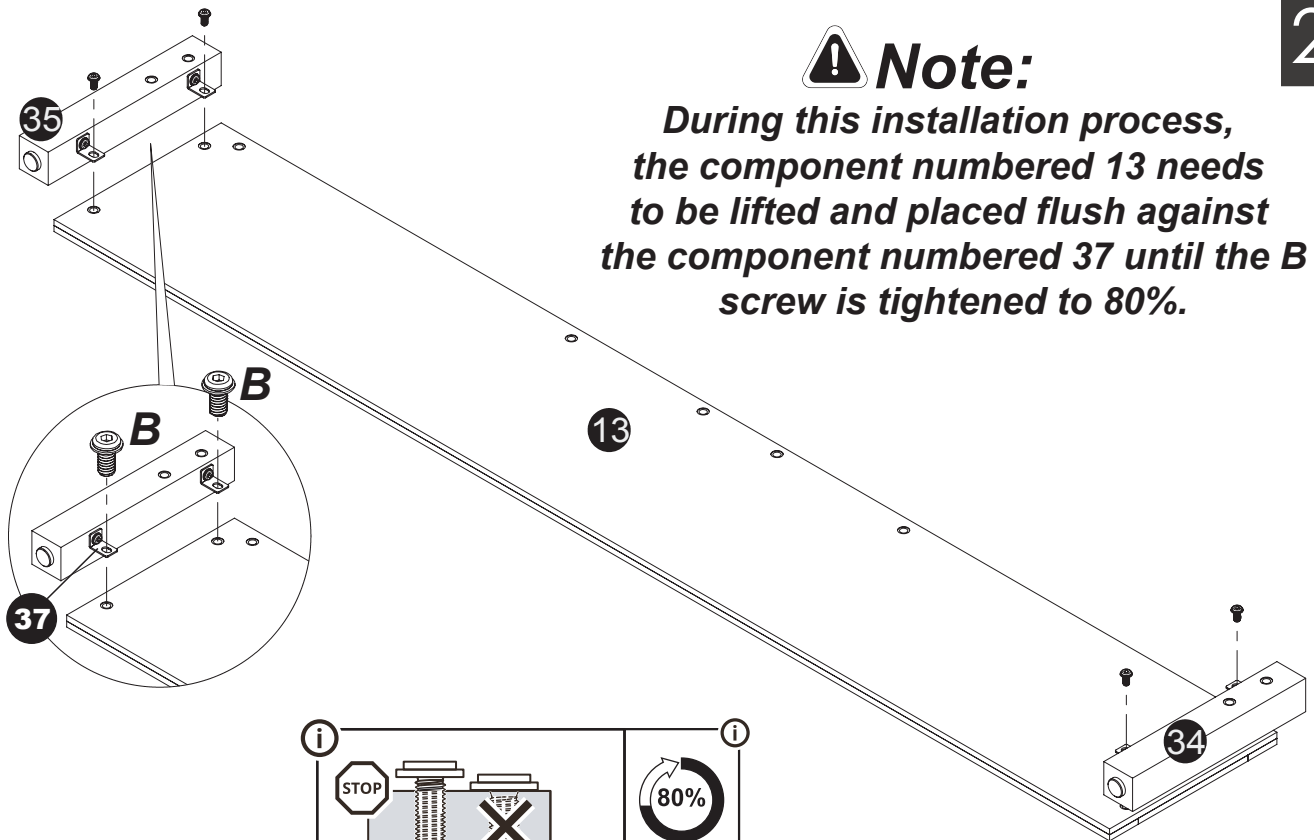
18





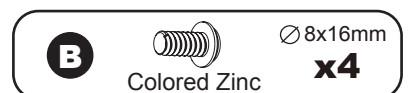
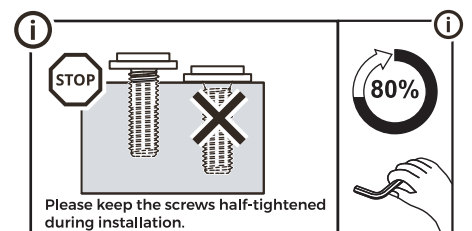
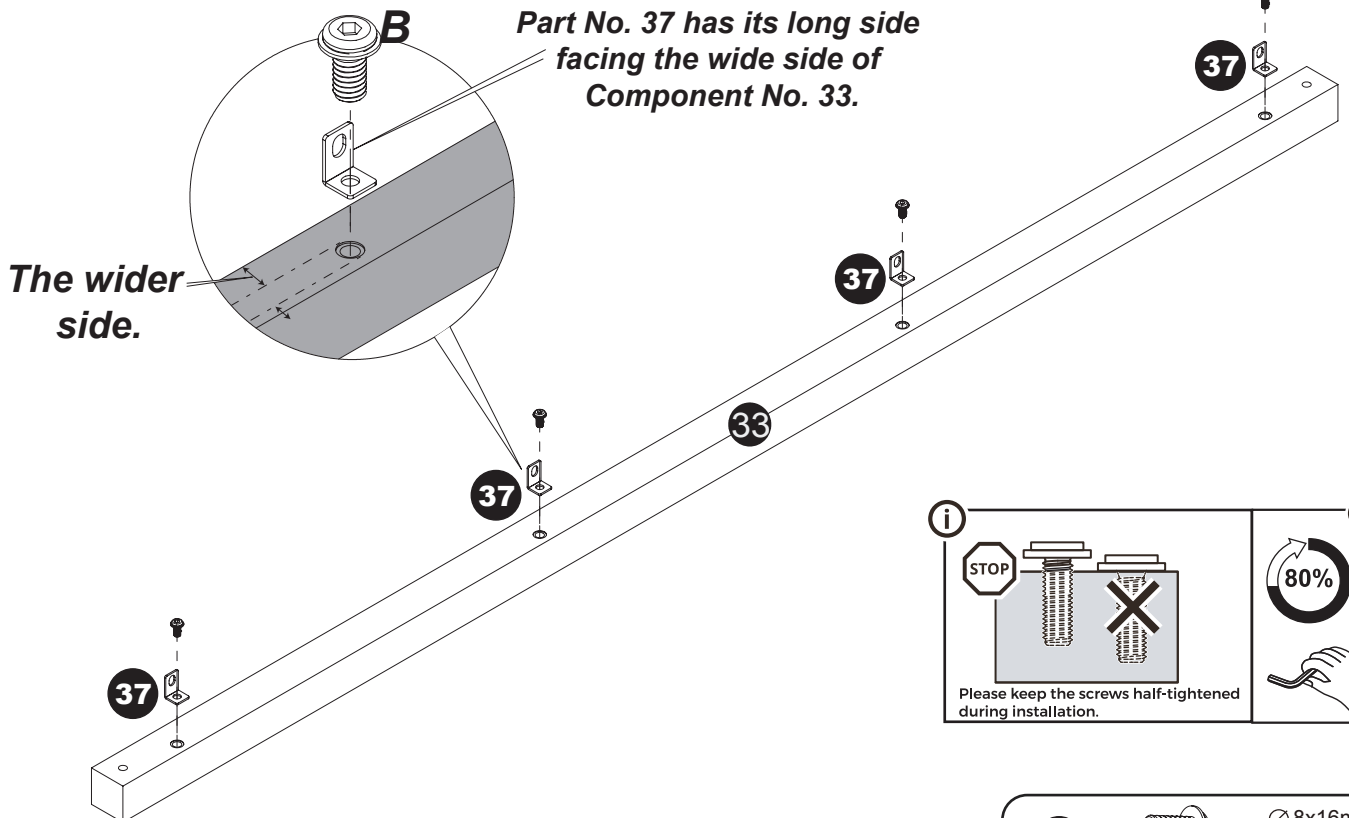
Note:

During this installation process, the component numbered 13 needs to be lifted and placed flush against the component numbered 37 until the B screw is tightened to 80%.



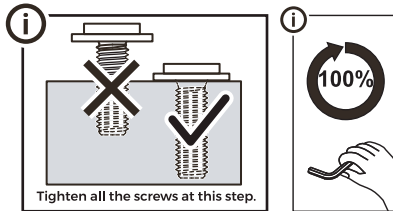
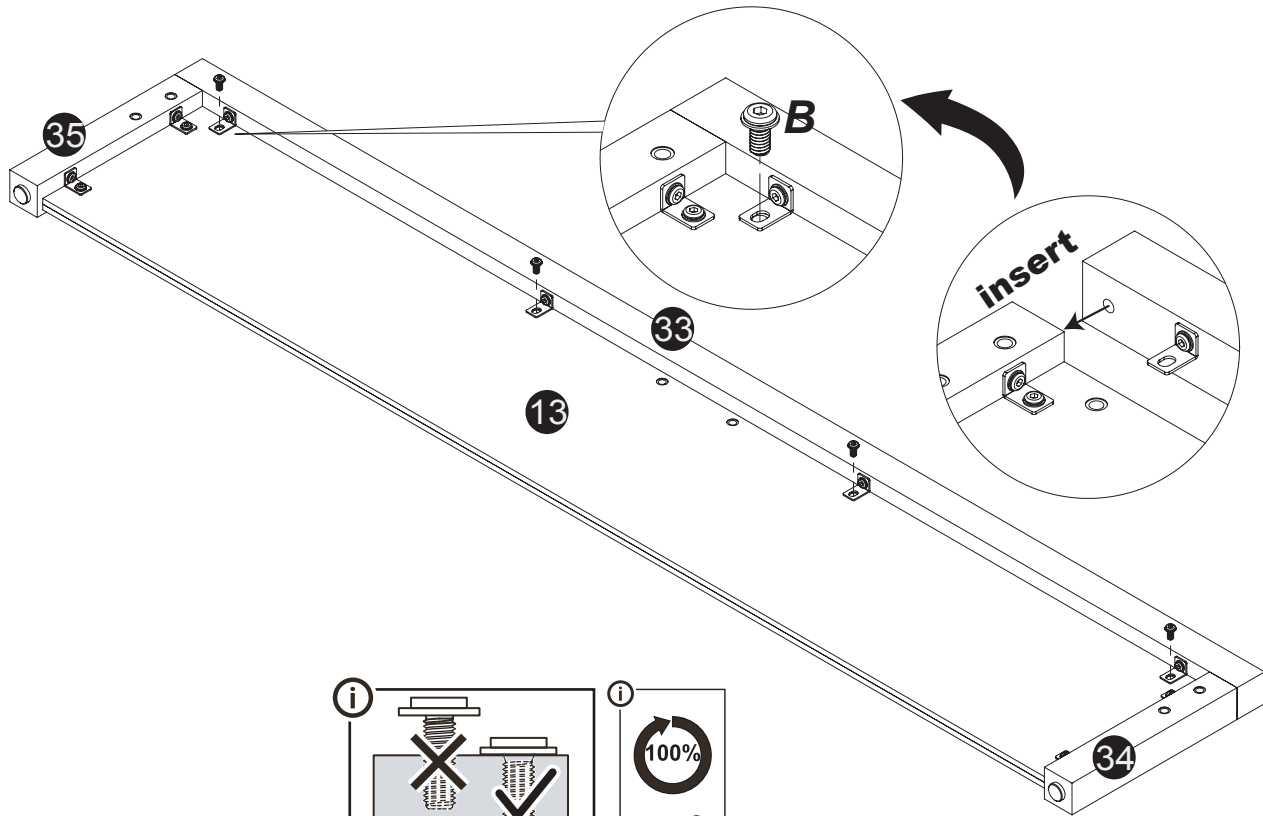
Note:

Part No. 37 has its long side facing the wide side of Component No. 33.

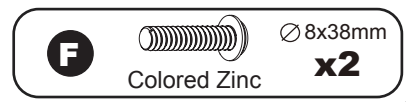
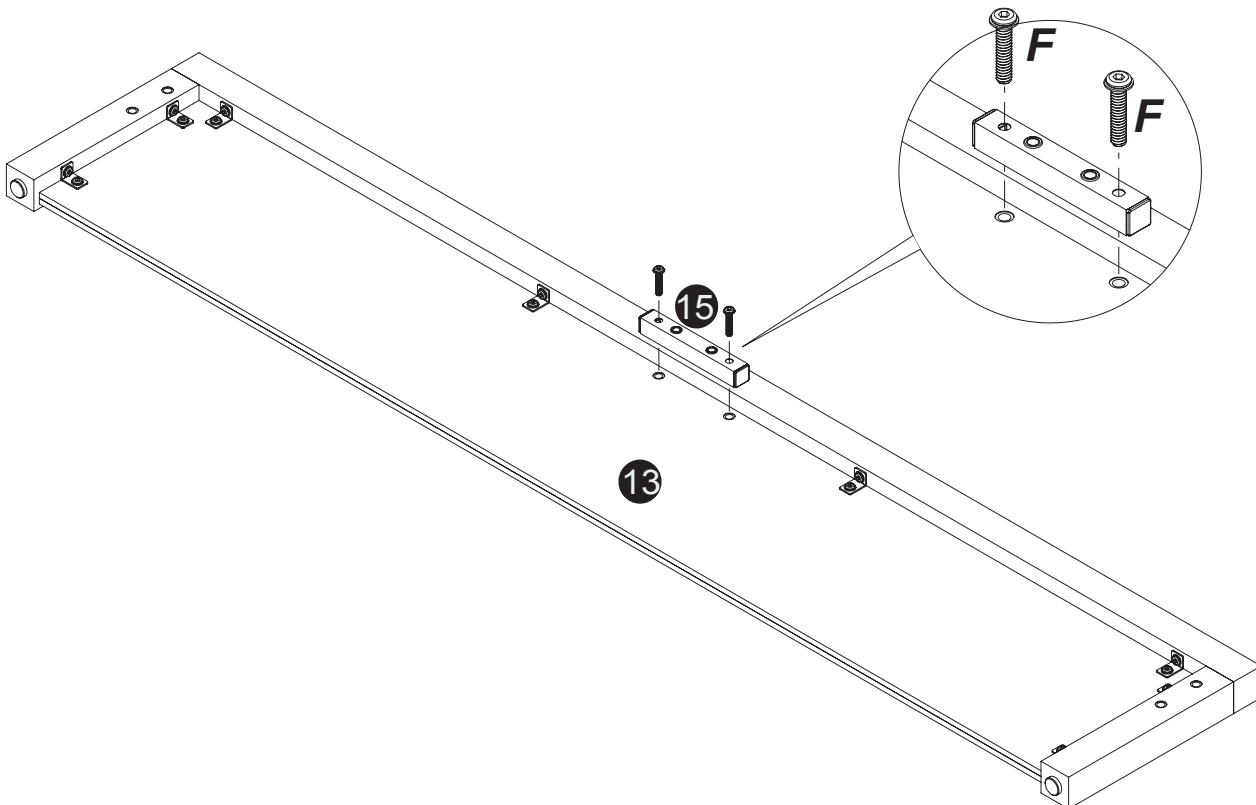


ASSEMBLY INSTRUCTIONS

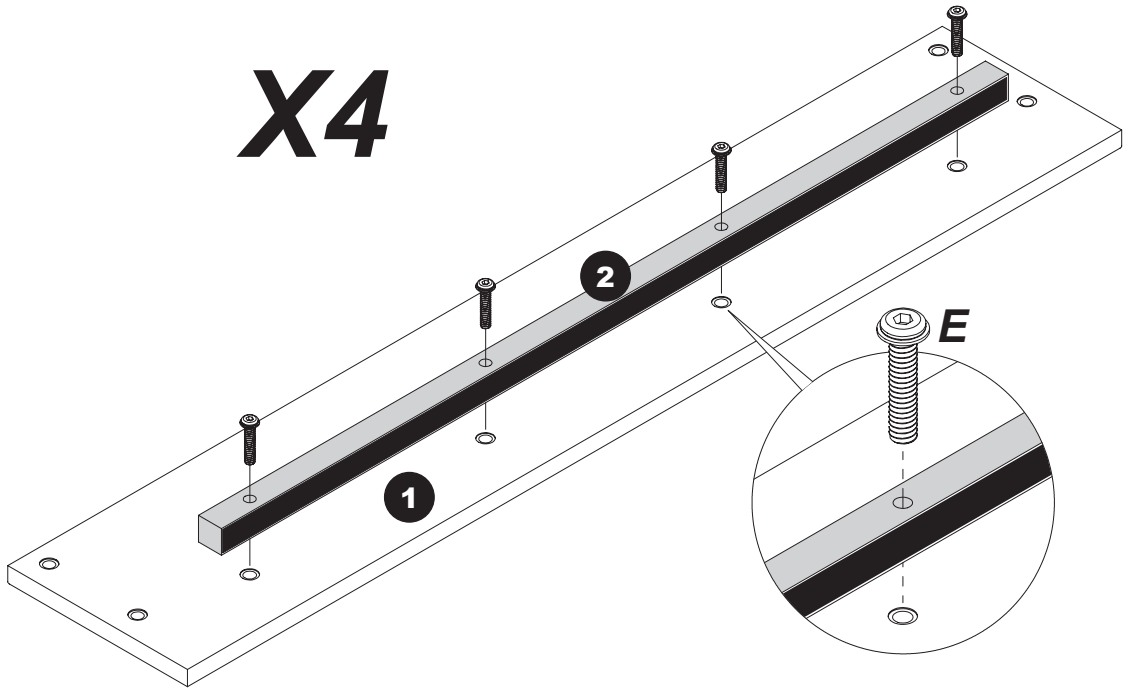
25




26

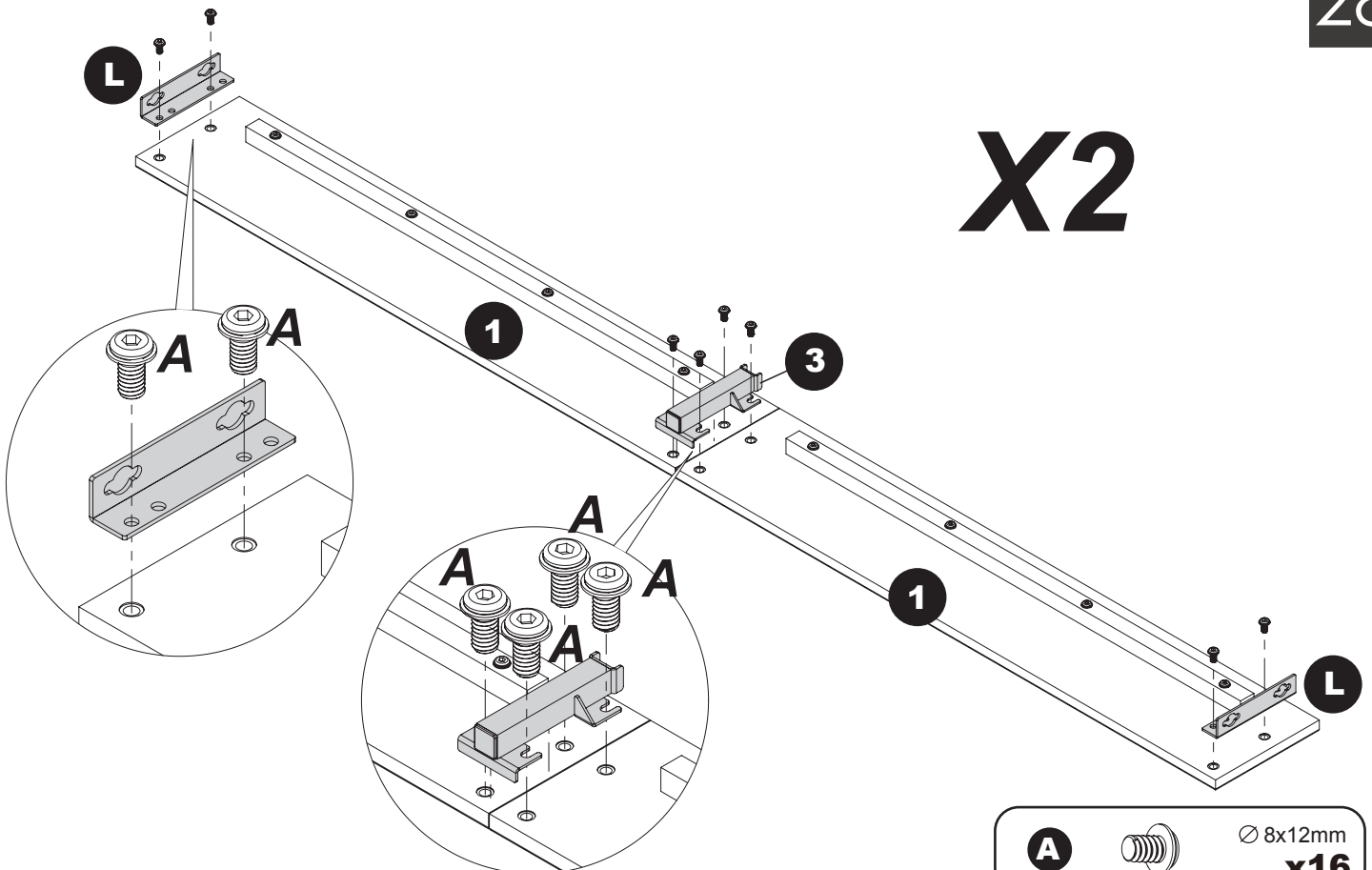



X4



E  $\varnothing 8 \times 33 \text{mm}$
x16

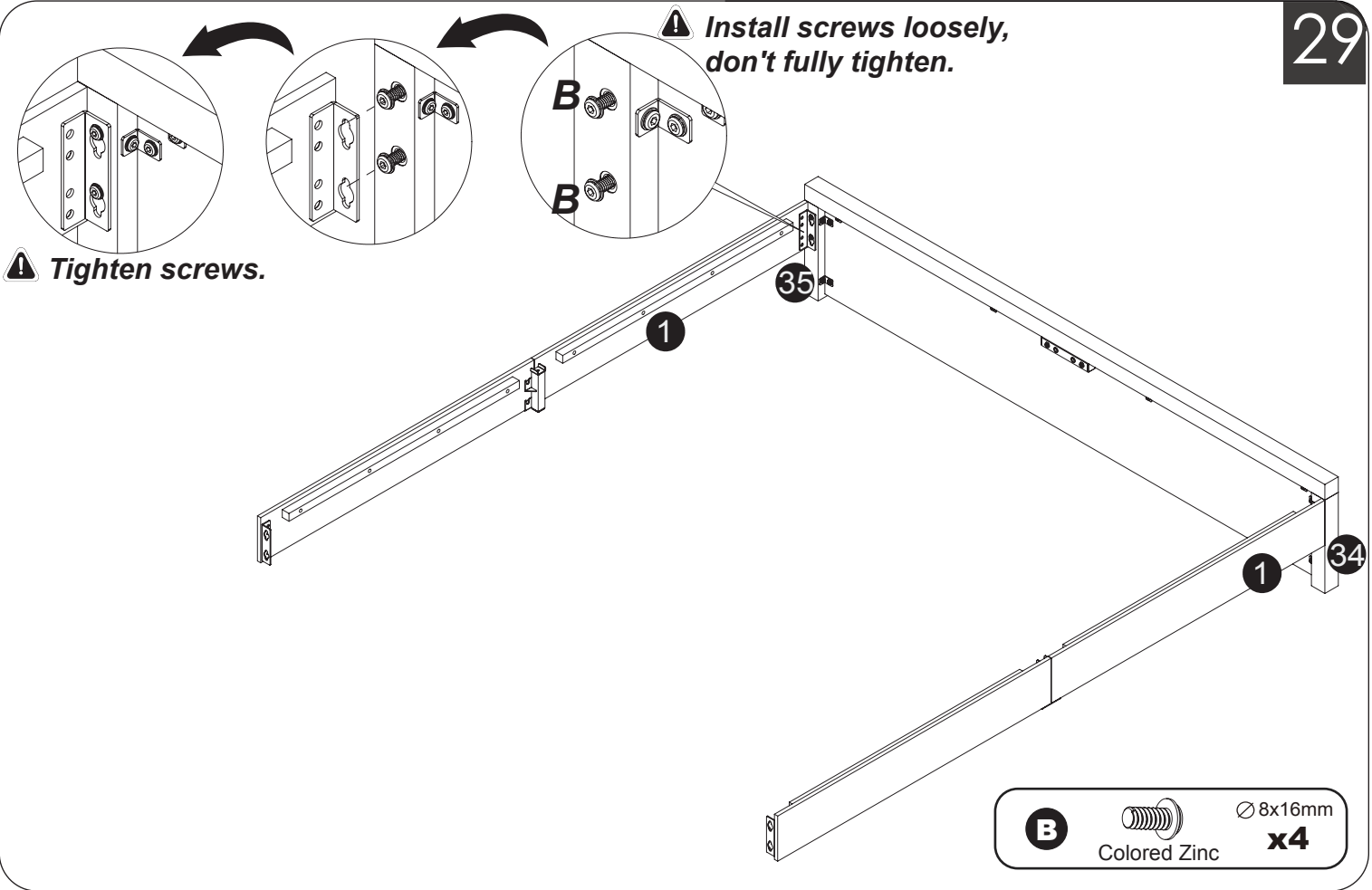
X2



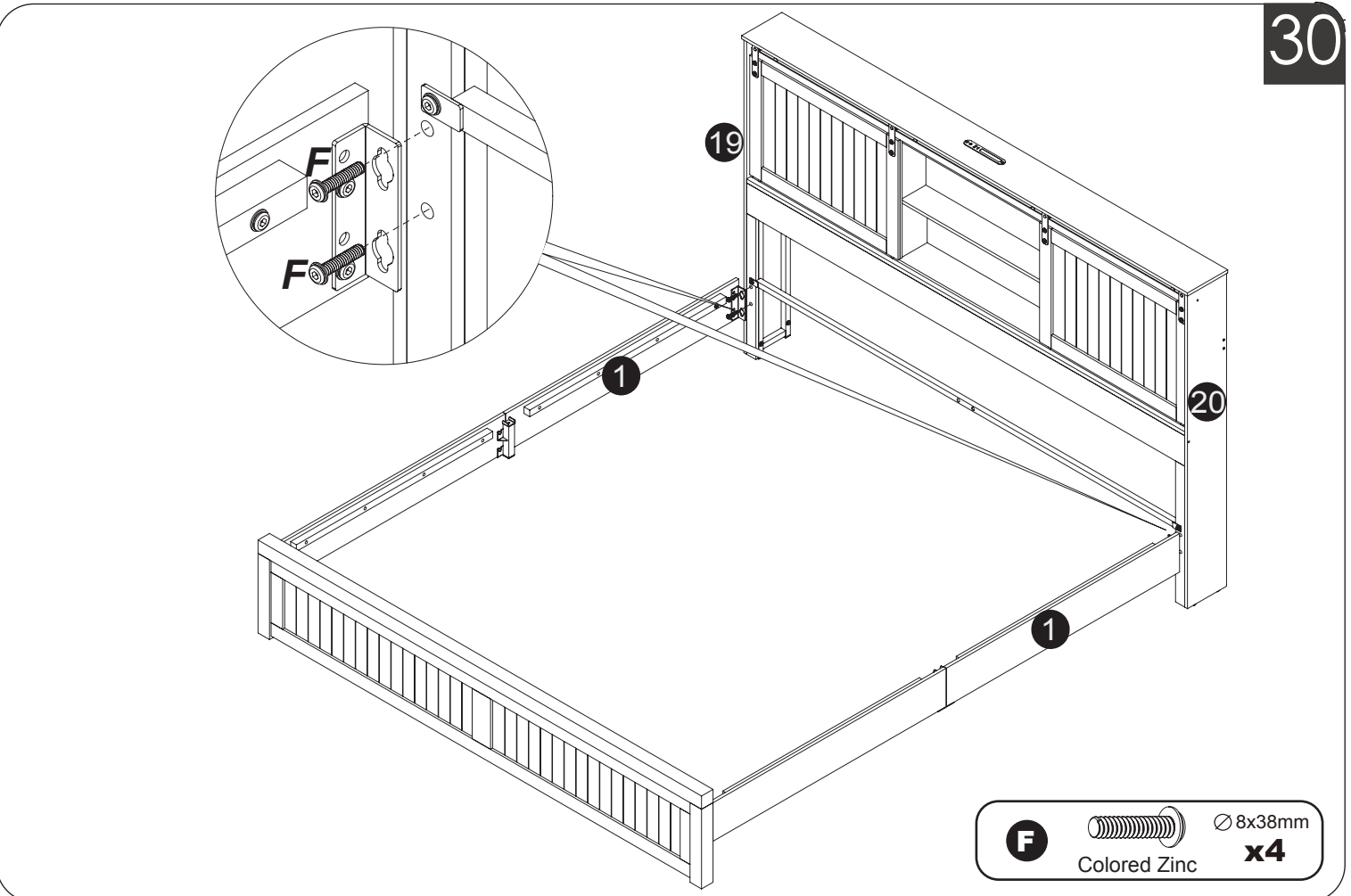
A  $\varnothing 8 \times 12 \text{mm}$
x16

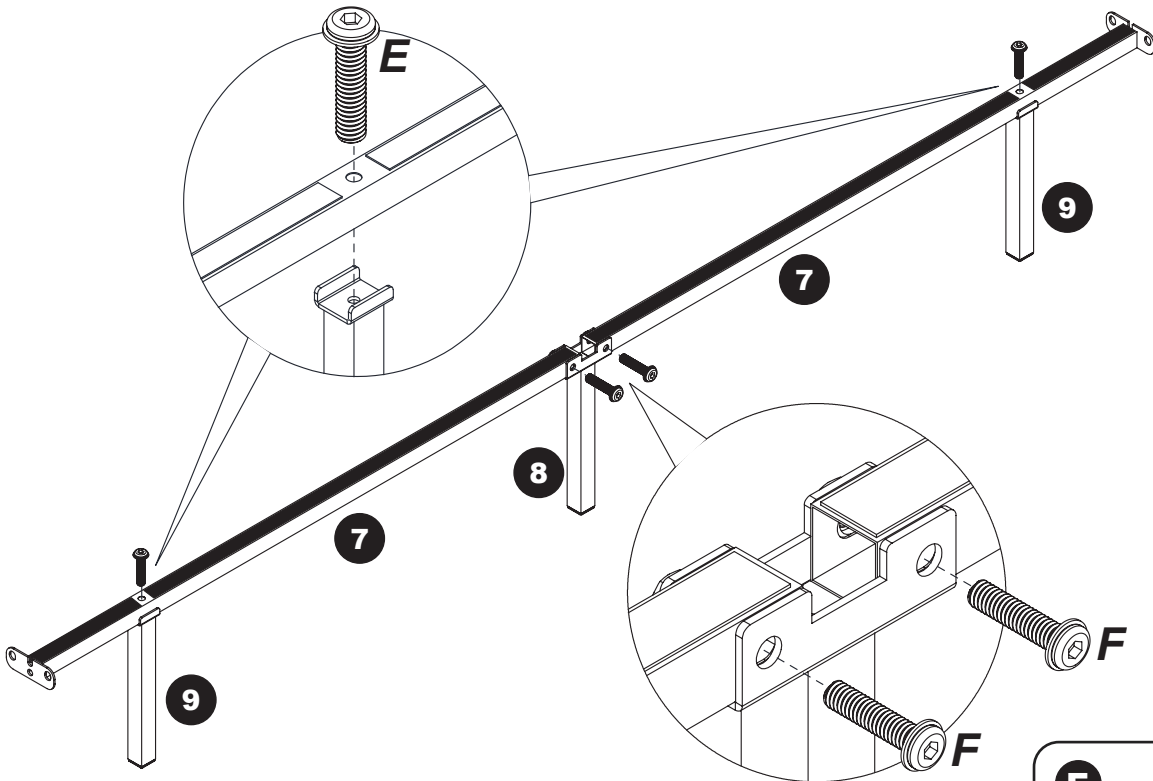
ASSEMBLY INSTRUCTIONS


29




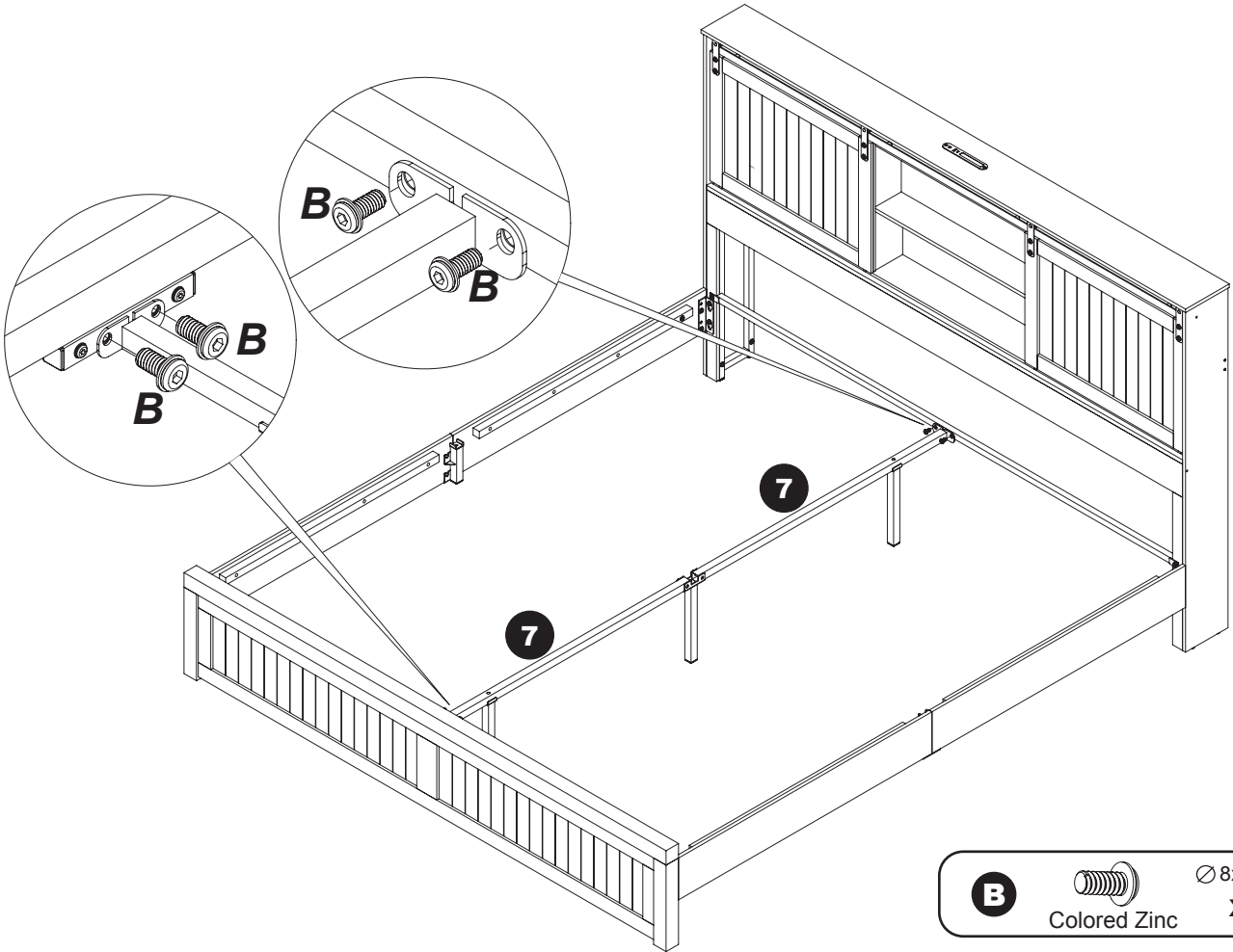
30




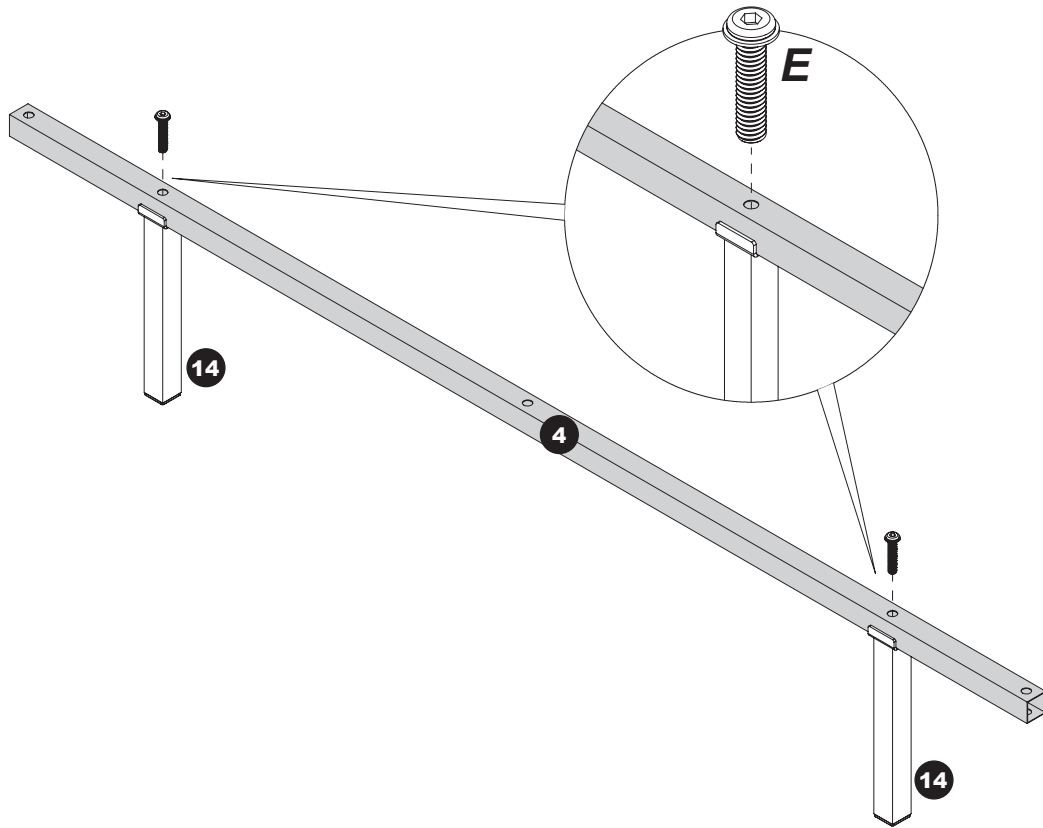



- E**  $\varnothing 8 \times 33 \text{mm}$
x2

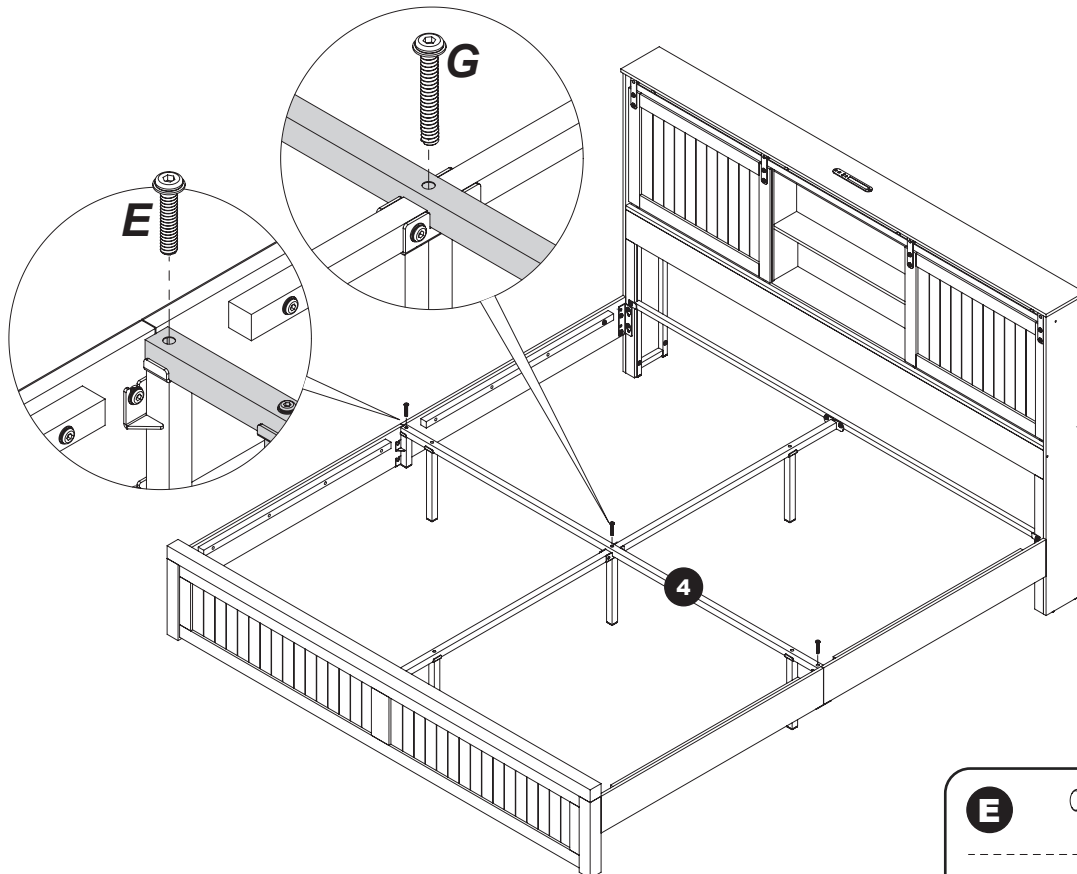
- F**  $\varnothing 8 \times 38 \text{mm}$
Colored Zinc **x2**





- B**  $\varnothing 8 \times 16 \text{mm}$
Colored Zinc **x4**

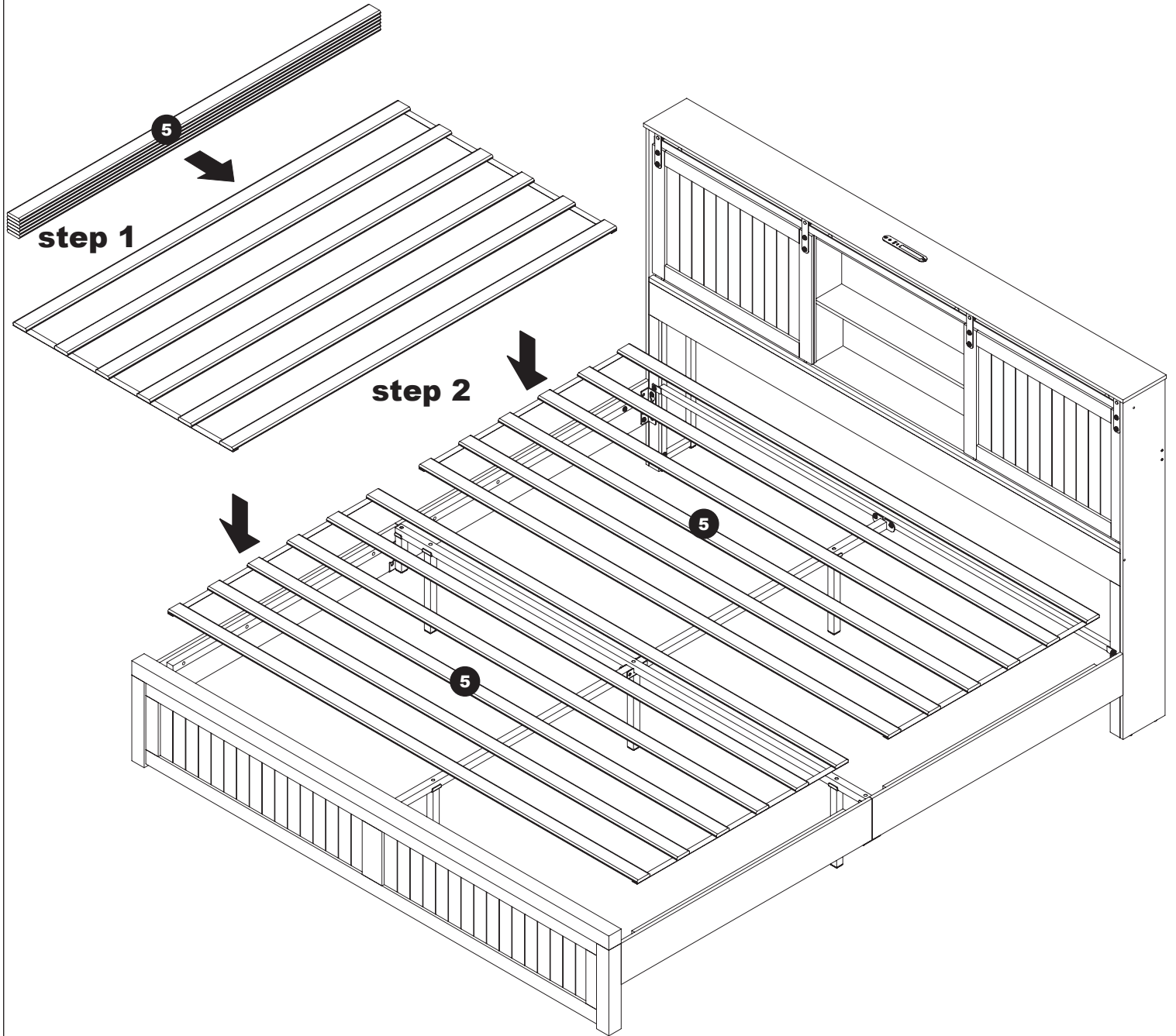


E  $\varnothing 8 \times 33 \text{mm}$
x2



E  $\varnothing 8 \times 33 \text{mm}$
x2

G  $\varnothing 8 \times 50 \text{mm}$
x1



LIMITED WARRANTY

Our team would like to improve the quality of the customer service and make your experience as easy and smooth as possible.

Return Policy: This item could be returned within 30 days without any major reason. After we receive the returned item, we would check it and make sure that it is not damaged when we will process the refund. For more details,

remember to check the above terms of RETURN/DAMAGE CLAIM INSTRUCTIONS.

The warranty product is one year from the date of your purchase. If this item is damaged within the warranty period, we will arrange for you the replacement parts free of charge. If the item is damaged for some personal reasons, we could also replace it for you, you would need to bear the cost of the replacement parts and shipping fees.

The exceptions or exclusions to this warranty are as follows:

1. Any warranty claim that is submitted after the limited warranty period won't be taken into consideration. We wouldn't be able to replace the item for you even at your cost.
2. This warranty does not cover the products which have been purchased by mistake.

NOTICE:

RETURN/DAMAGE CLAIM INSTRUCTIONS:

- If the package is damaged, please contact us as soon as possible and attach the damaged photo.
- Return Policy: This item can be returned within 30 days without any reason. If you return this item for personal reasons, you need to bear the freight of returns and order processing fee (0-50% restocking fee based on the invoice price). If the product has quality issues (not caused by humans), we will bear the freight.
- If you need to return the goods, please keep the original box. Please make sure to use the return label provided by us and do not return it without permission. Please do not share a label with multiple boxes.
- If you return the product after 30 days from receiving it, we are afraid that your return application won't be accepted. We appreciate your understanding.
- The warranty product is one year. If this item is damaged within the warranty period we will arrange you the replacement parts free of charge. If the item is damaged for some personal reasons, we could also replace it for you, however you need to bear the transport fees.
- The carved panels on the door frames at the head of the bed and at the foot of the bed must be kept dry. Avoid contact with water and do not wipe them with wet towels.**