

# GREYFIELD THERMOSTATIC SHOWER VALVE WITH VOLUME CONTROL HANDLE

SKU: 948806

Code: SHGF9009, SHGF9007, SHGF9009, SHGF9007, SH6004, SH6020, SHGF9009, SHGF9007, SH6006, SH6040



## FEATURES

Installation Type: Wall Mount  
Features: Thermostatic  
Design: Modern  
Material: Brass  
Mounting Hardware Included: Yes  
Assembly Required: No  
Handle Type: Lever  
Installation Type: Wall Mount

ASME A112.18.1/CSA B125.1

REVISED 3/17/2023

# GREYFIELD THERMOSTATIC SHOWER VALVE WITH VOLUME CONTROL HANDLE

SKU: 948806

Code: SHGF9009, SHGF9007, SHGF9009, SHGF9007, SH6004, SH6020, SHGF9009, SHGF9007, SH6006, SH6040



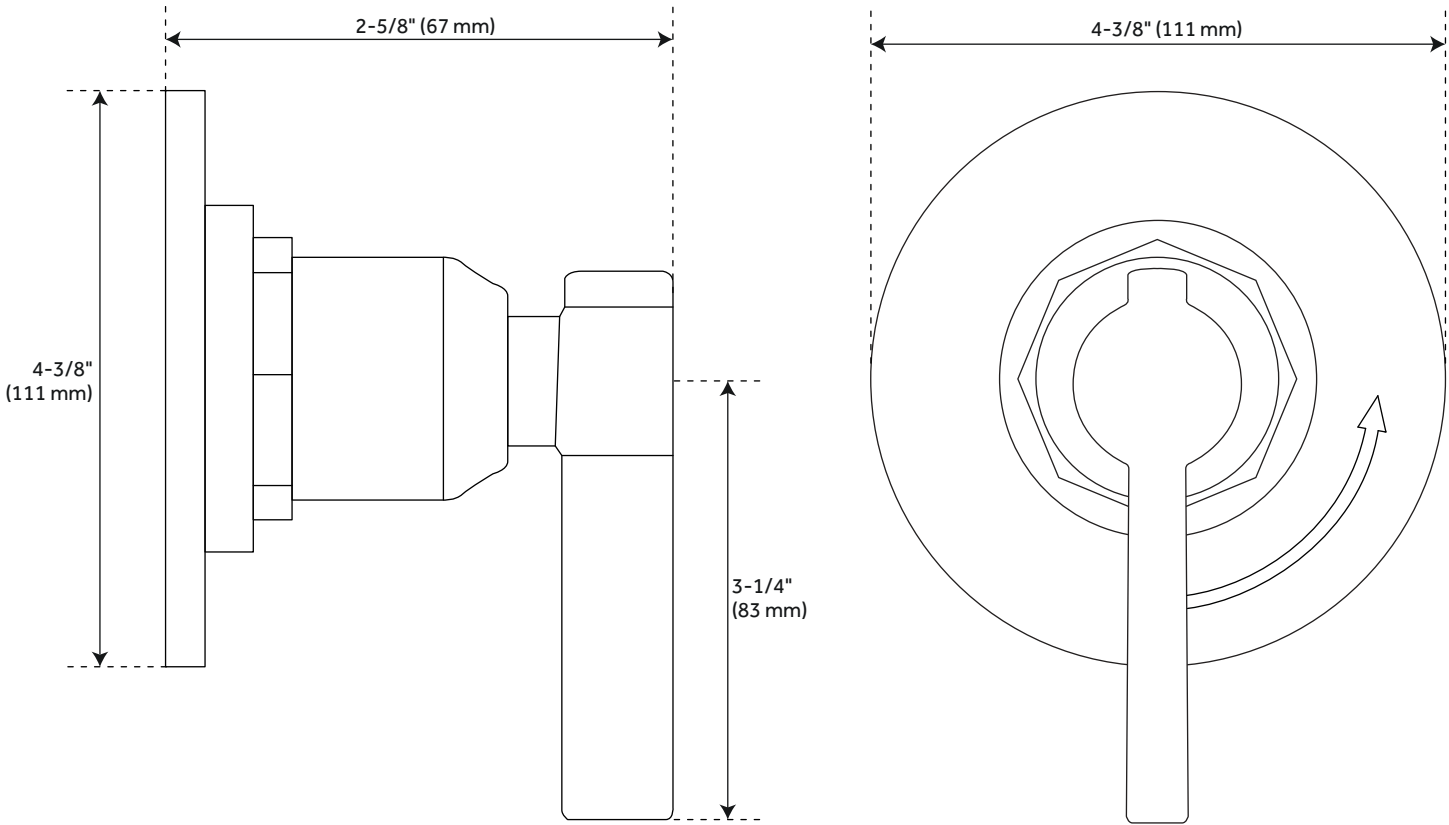
## ADDITIONAL FEATURES

- Thermostatic valve trim: 6-5/8" diameter x 2-5/8" depth.
- Volume control valve trim: 4-3/8" diameter x 2-5/8" depth.
- Metal handles.
- Temperature outlet factory preset to 104 degrees Farenheit - temperature can be easily adjusted up and down to user's comfort level.
- Scald guard protection.
- High temperature limit stop.
- Thermostatic technology keeps shower temperature  $\pm$  1 degree Celsius.
- Wall thickness range: 1" to 1-3/4"
- Recommended valve installation depth: 1-5/8" to 2-3/8"
- Optional Thermostatic Rough-in Valve:
  - Bronze valve body.
  - Ceramic cartridge.
  - Factory-calibrated comfort setting at 104 degrees Farenheit.
  - Integral water stops and check valve.
- Optional Volume Control Rough-in Valve:
  - Brass valve body.
  - Ceramic cartridge.
- Must be installed in accordance with provided installation instructions.

REVISED 3/17/2023

# GREYFIELD THERMOSTATIC SHOWER VALVE WITH VOLUME CONTROL HANDLE

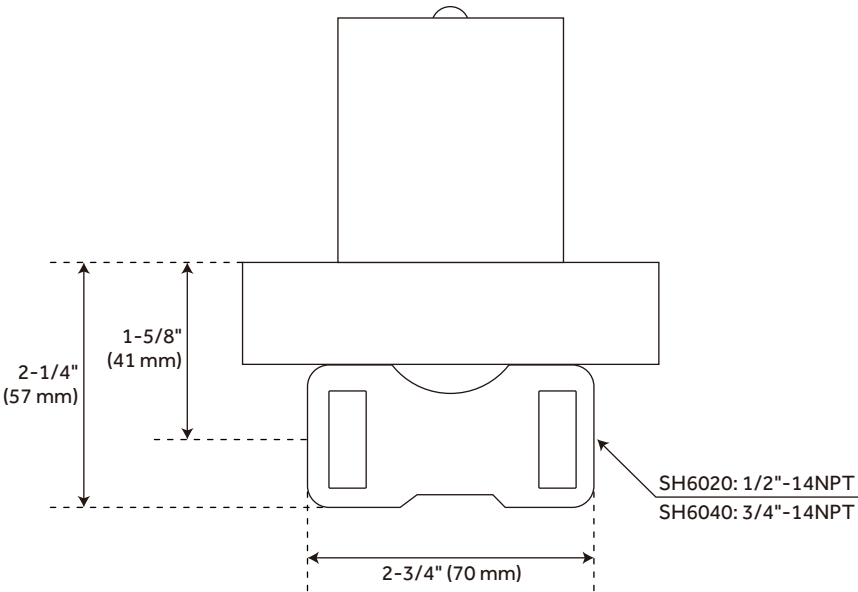
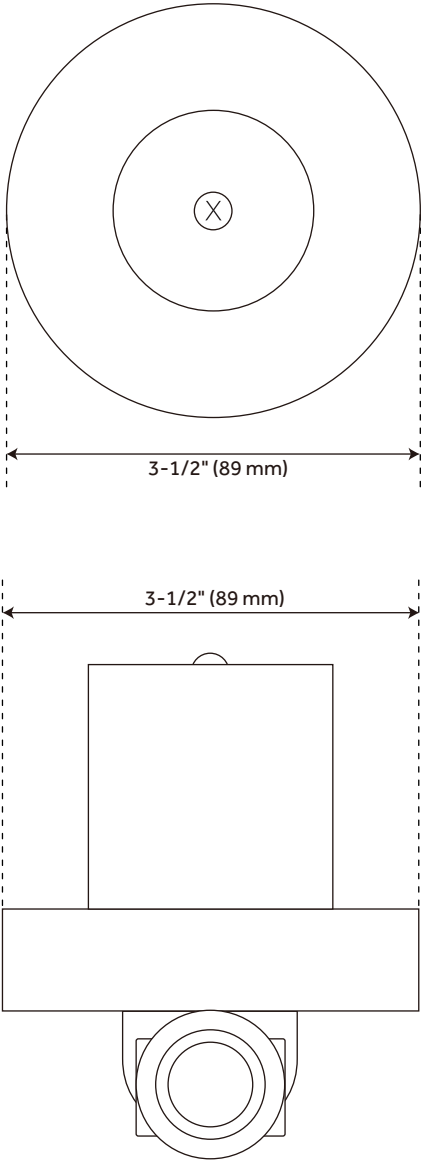
SKU: 948806  
SHGF9009, SHGF9009Z



All dimensions and specifications are nominal and may vary. Use actual products for accuracy in critical situations.

# GREYFIELD OPTIONAL VOLUME CONTROL VALVE WITH 1/2" -OR- 3/4" CONNECTION

SKU: 948806  
SH6020, SH6040

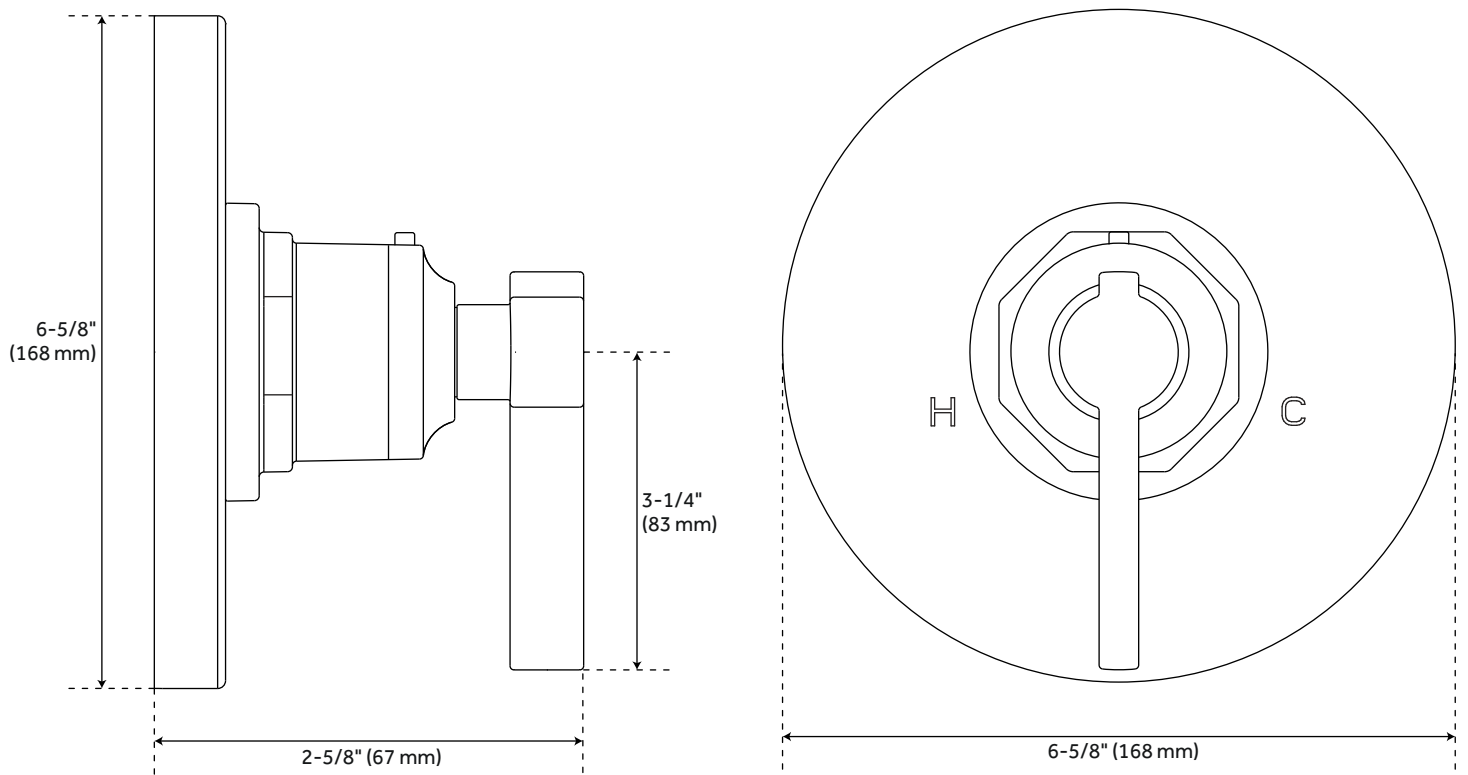


All dimensions and specifications are nominal and may vary. Use actual products for accuracy in critical situations.

# GREYFIELD THERMOSTATIC SHOWER VALVE

SKU: 948806

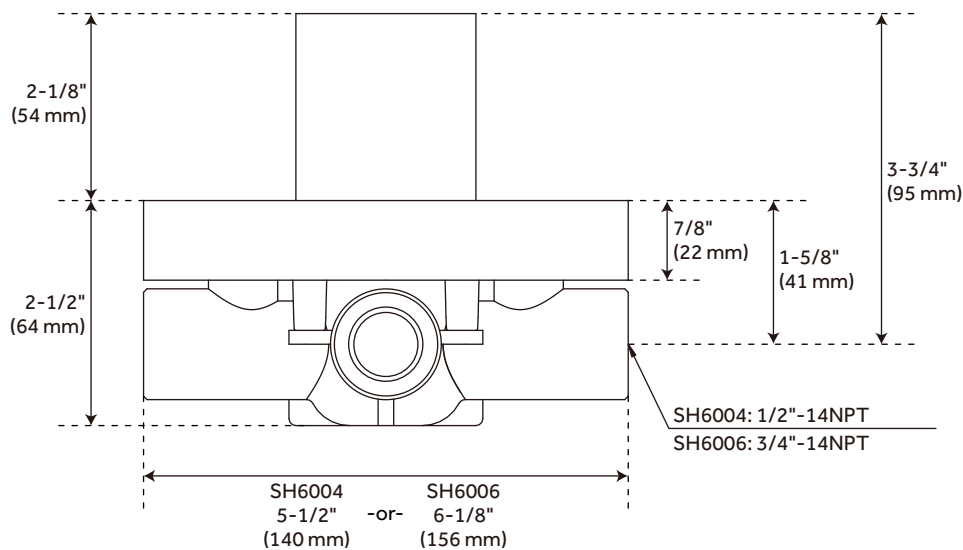
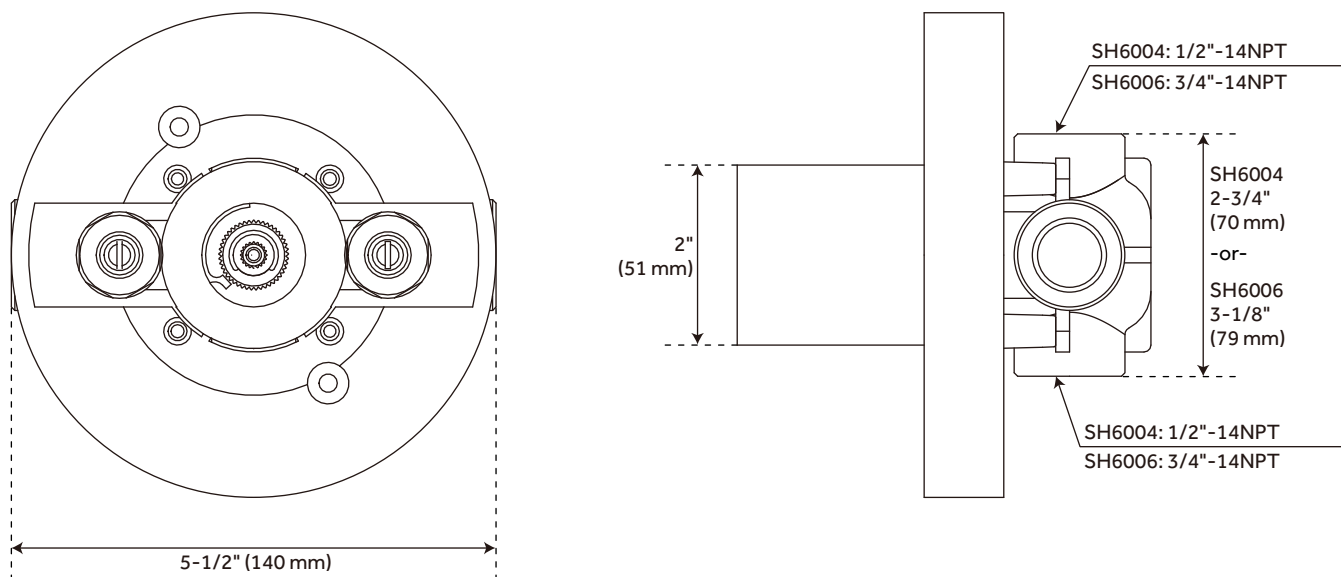
SHGF9007, SHGF9007Z



All dimensions and specifications are nominal and may vary. Use actual products for accuracy in critical situations.

# GREYFIELD OPTIONAL THERMOSTATIC VALVE WITH 1/2" -OR- 3/4" CONNECTION

SKU: 948806  
SH6004, SH6006



All dimensions and specifications are nominal and may vary. Use actual products for accuracy in critical situations.