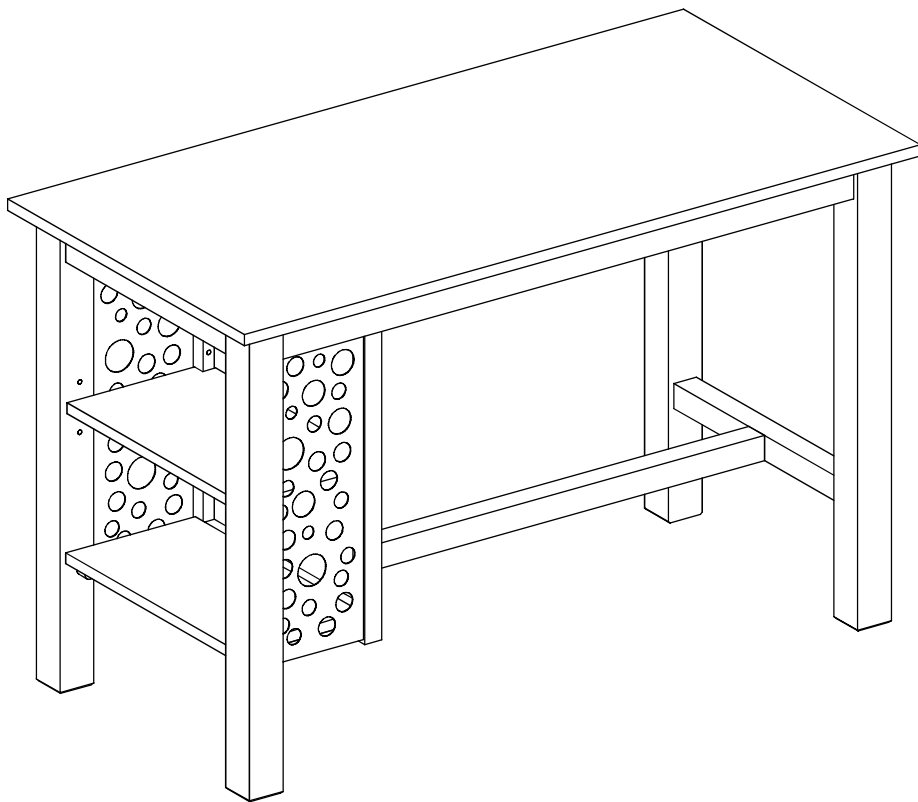


ASSEMBLY INSTRUCTIONS

DINING TABLE



Phillips
Screwdriver
(Not provided)



A



Spring Washer
8 PCS

B



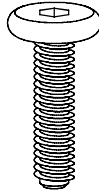
Flat Washer
8 PCS

C



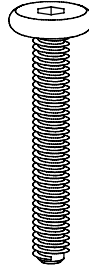
Hinge
4 PCS

D



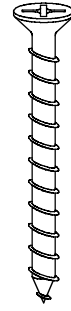
M6*40
6 PCS

E



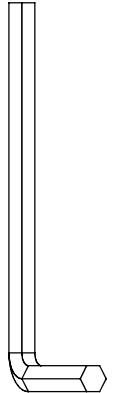
M8*70
8 PCS

E



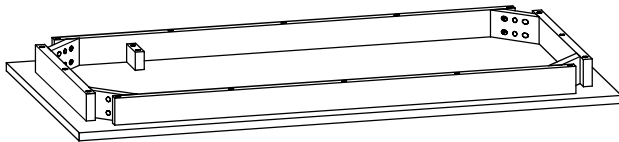
M4*50
4 PCS

G

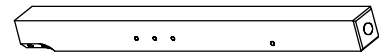


1 PC

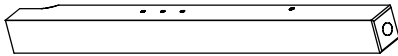
1



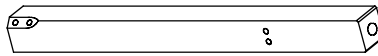
2



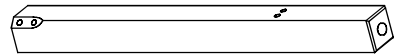
3



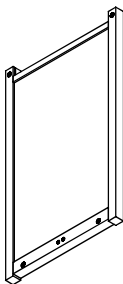
4



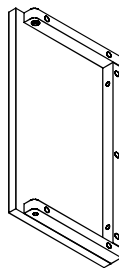
5



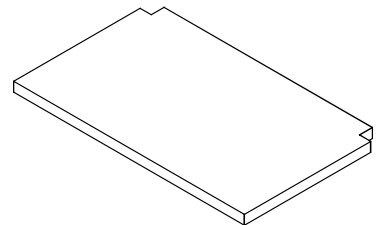
6



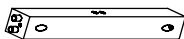
7



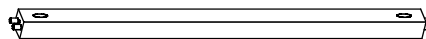
8



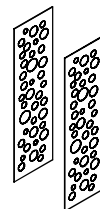
9



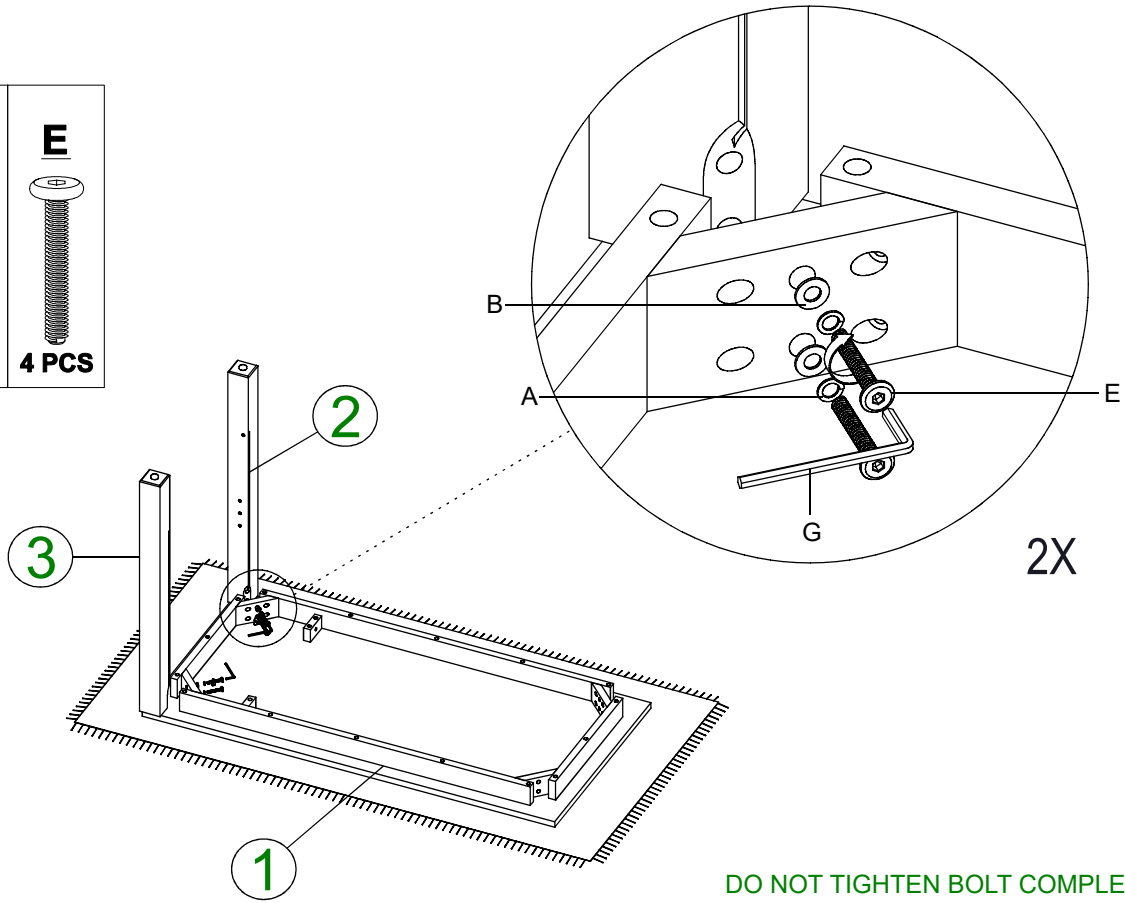
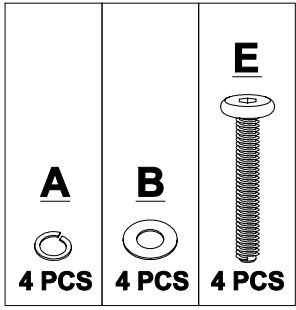
10



11

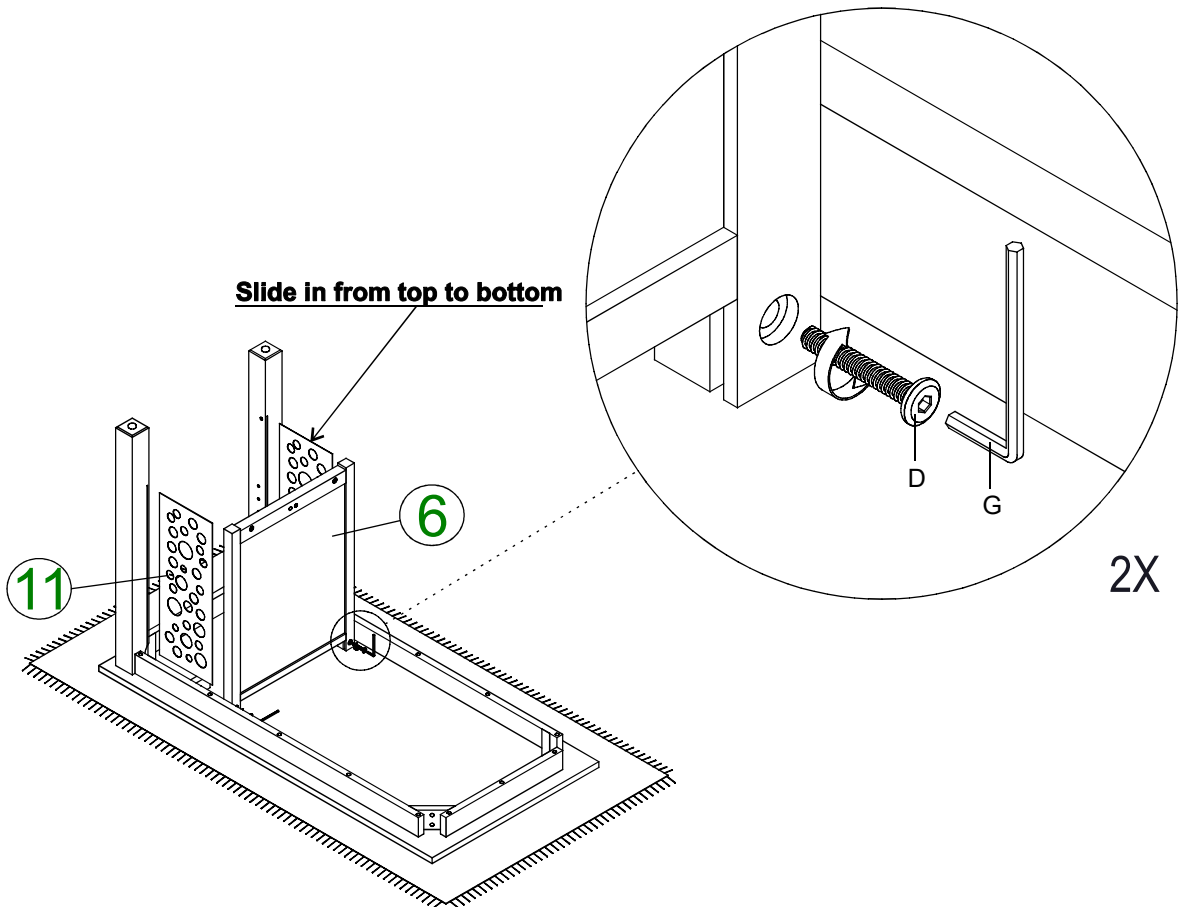
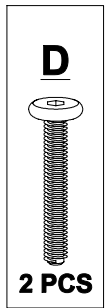


01



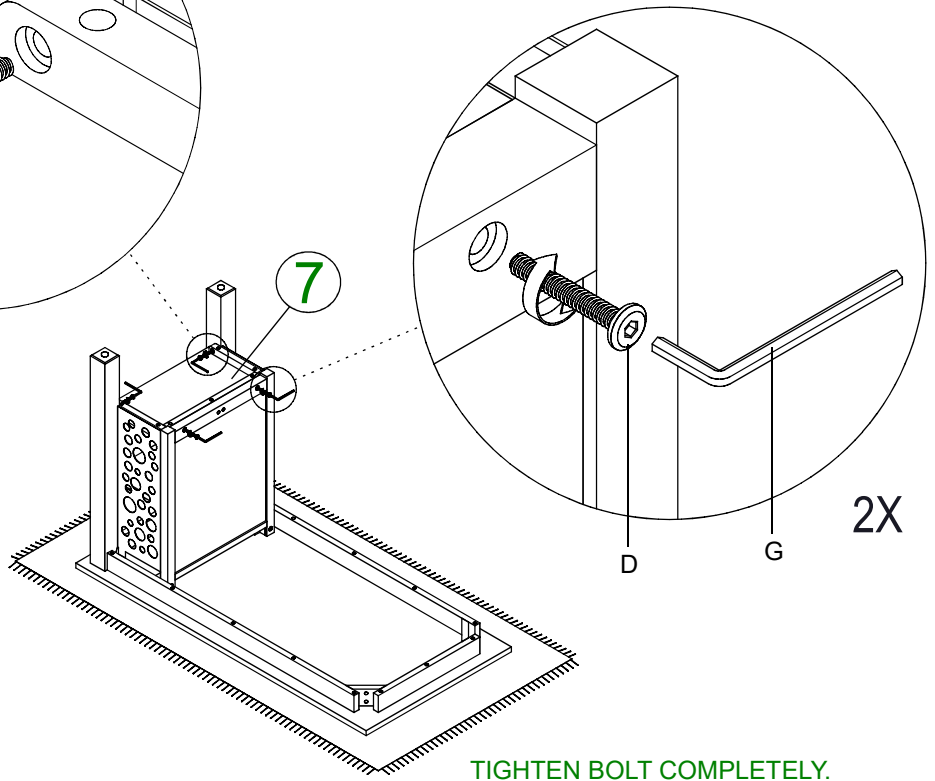
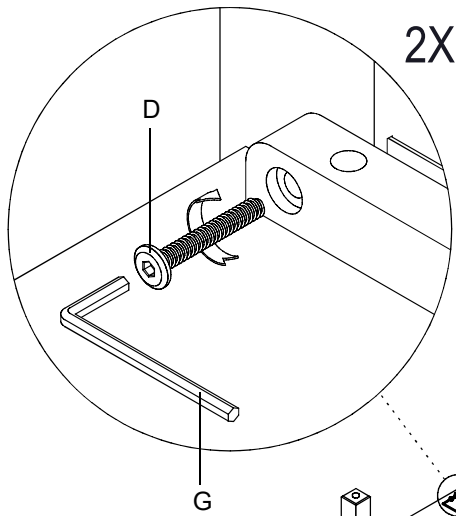
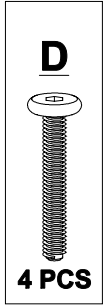
DO NOT TIGHTEN BOLT COMPLETELY.

02

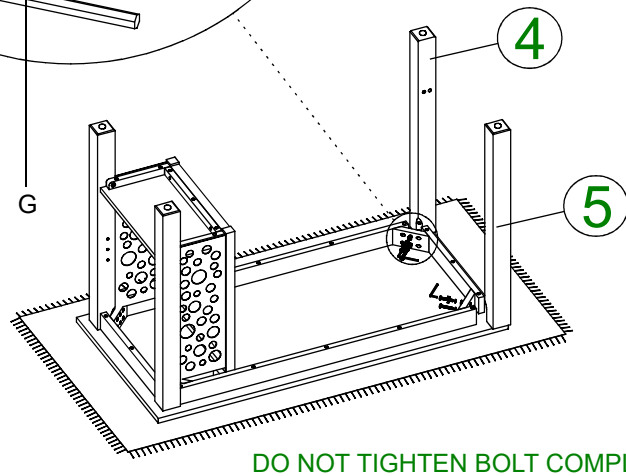
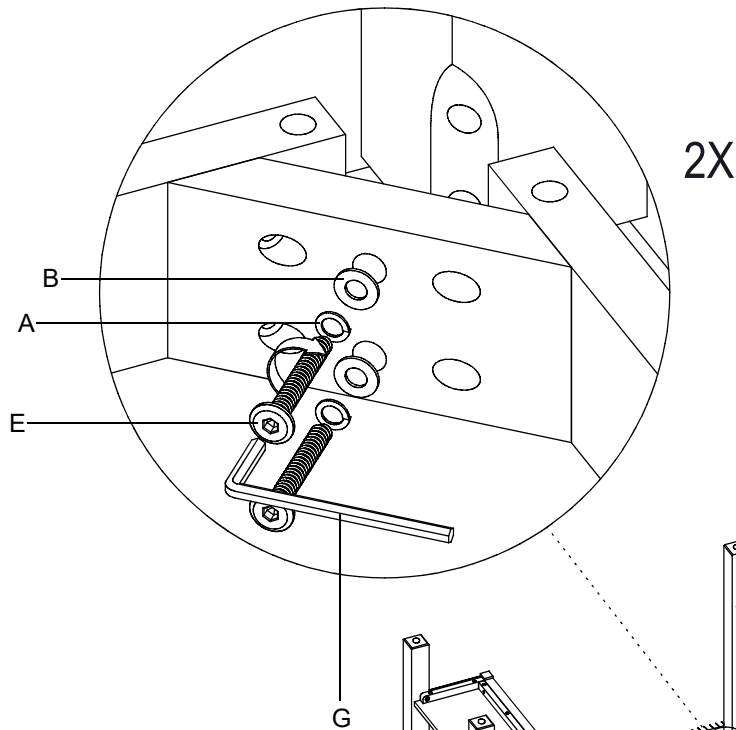
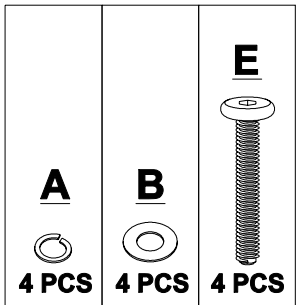


DO NOT TIGHTEN BOLT COMPLETELY.

03



04

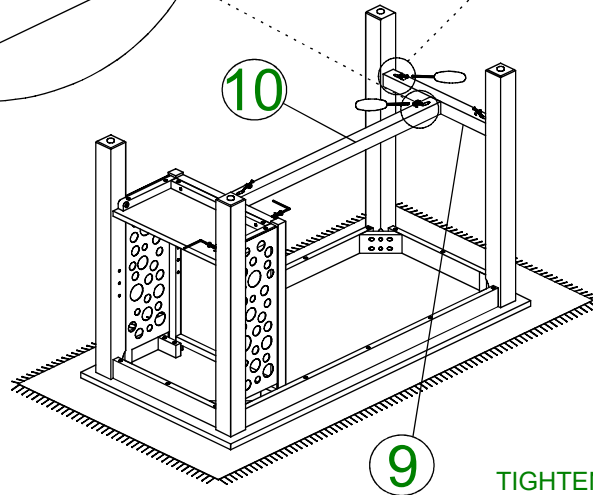
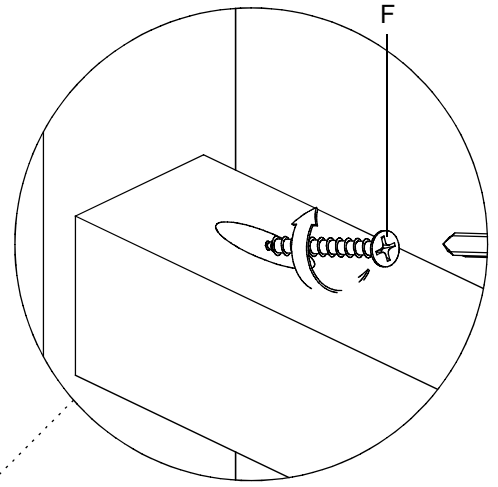
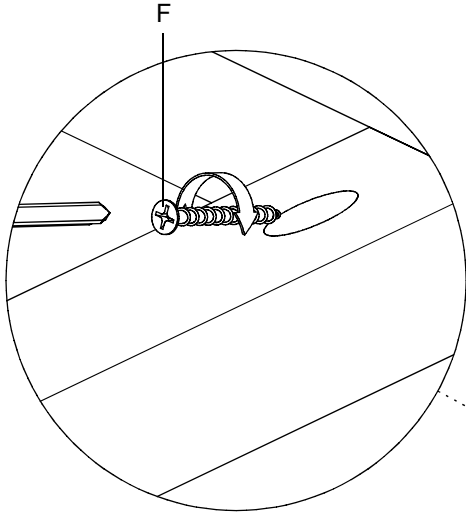


05

F



4 PCS



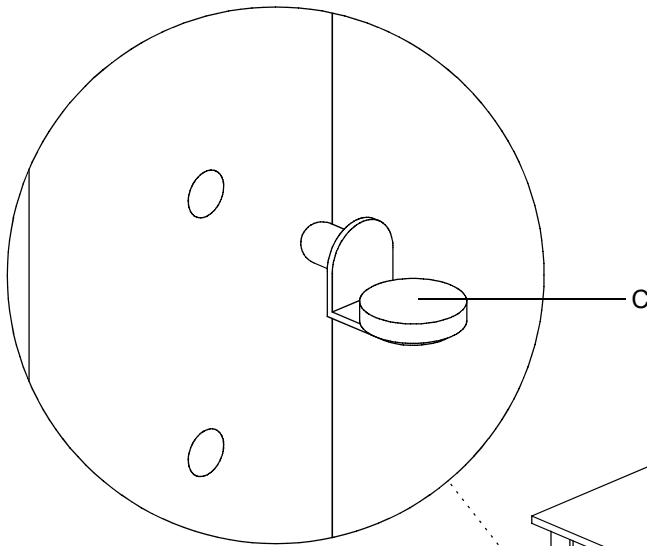
TIGHTEN BOLT COMPLETELY.

06

C

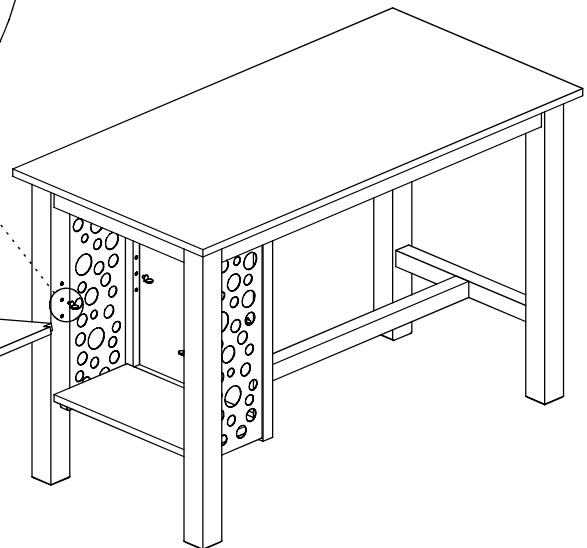


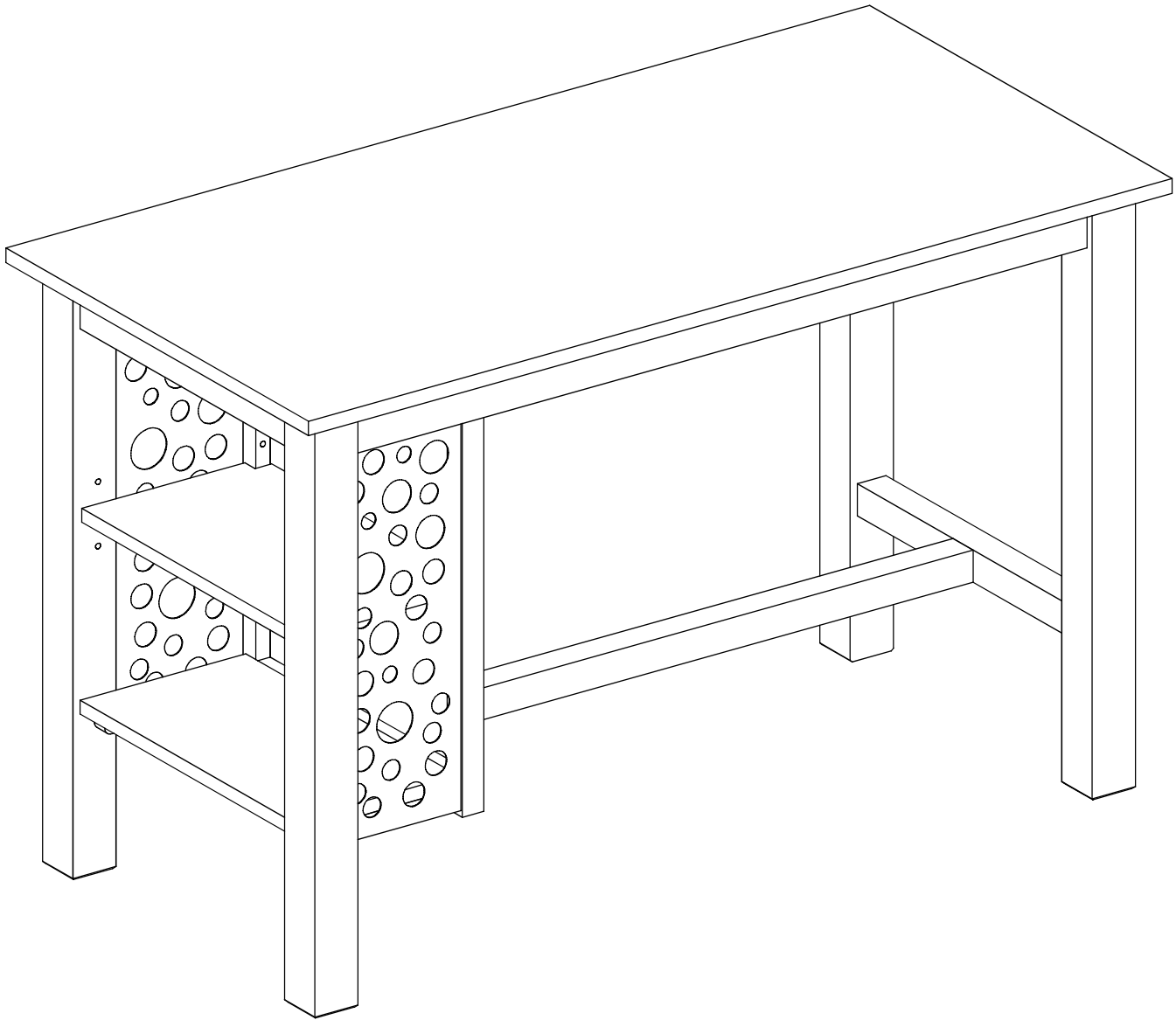
4 PCS



8

Removable Shelf





BE SURE TO CHECK ALL BOLTS ARE SECURELY TIGHTENED PRIOR USING THIS TABLE.