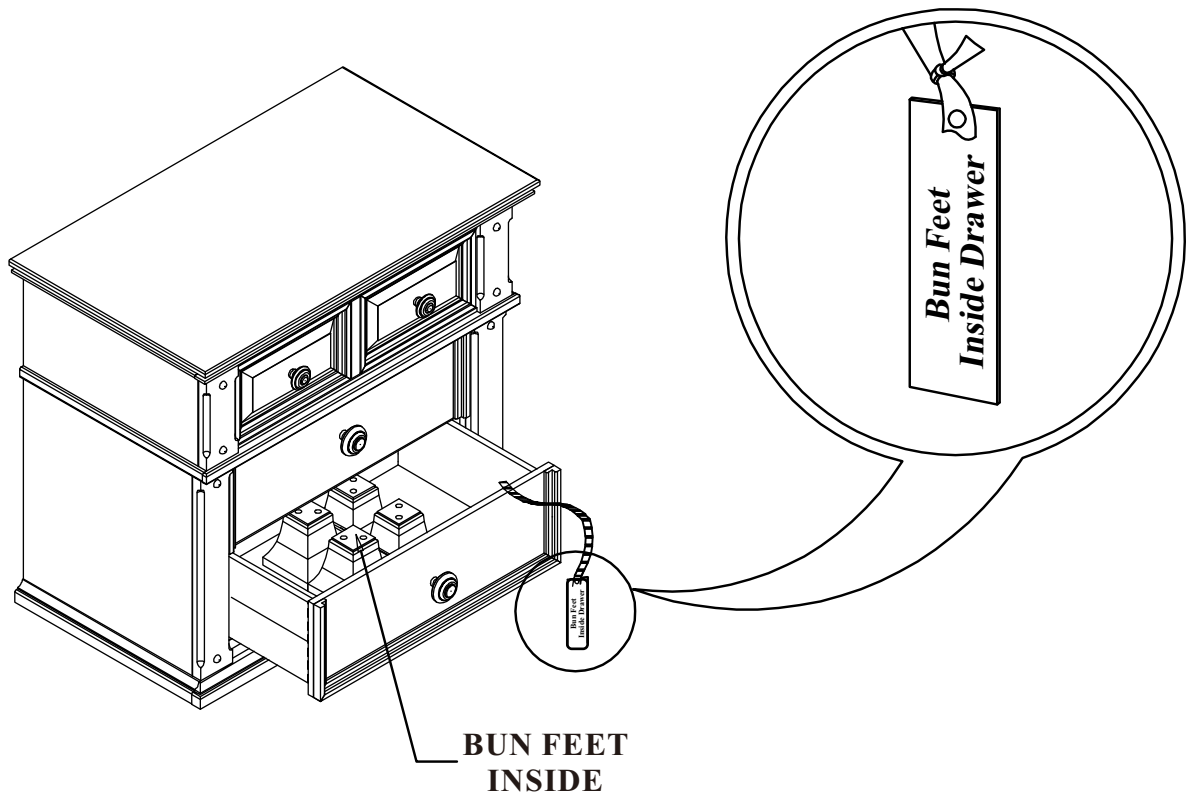


# NIGHTSTAND

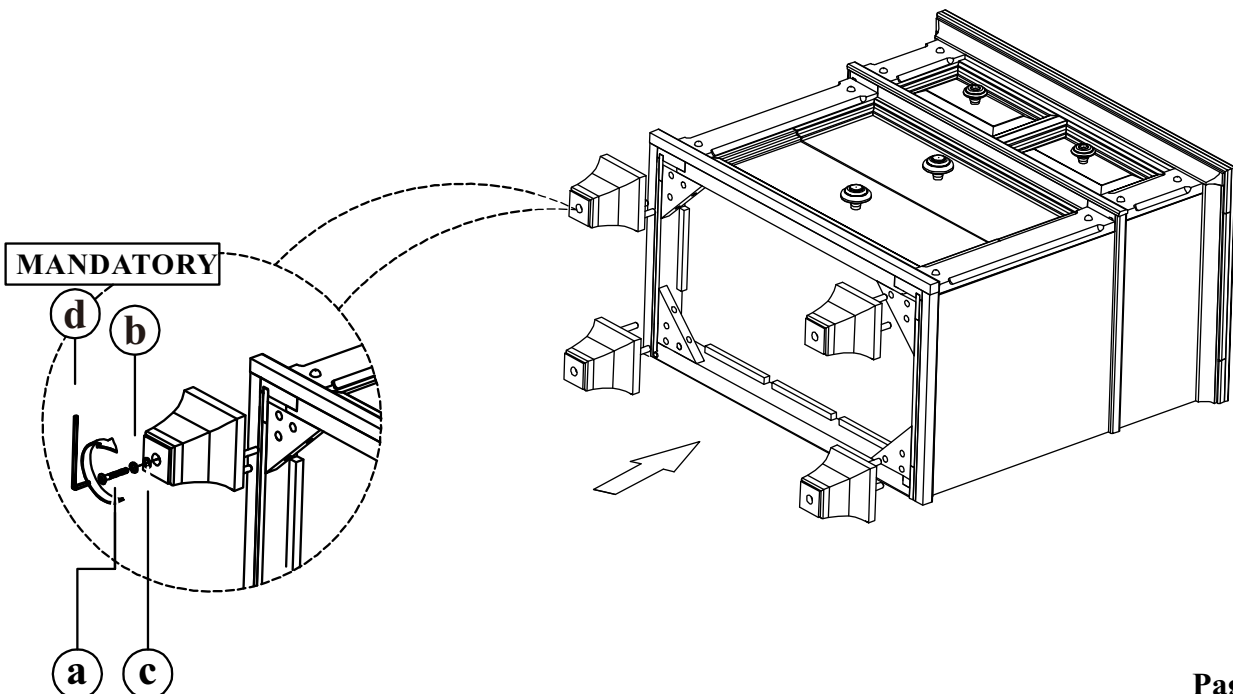
## Assembly Instruction

A. Components :	Qty	B. Hardware :	Qty
1. Bun Feet :	4 Pcs	a. Allen Bolt :	4 Pcs
		b. Lock Washer :	4 Pcs
		c. Flat Washer :	4 Pcs
		d. Allen Key :	1 Pc

### STEP - 1



### STEP - 2



# NIGHTSTAND

## Assembly Instruction

A. Components :  
1. Nightstand

Qty  
1x



a



b



c



d



e

B. Hardware :

Qty

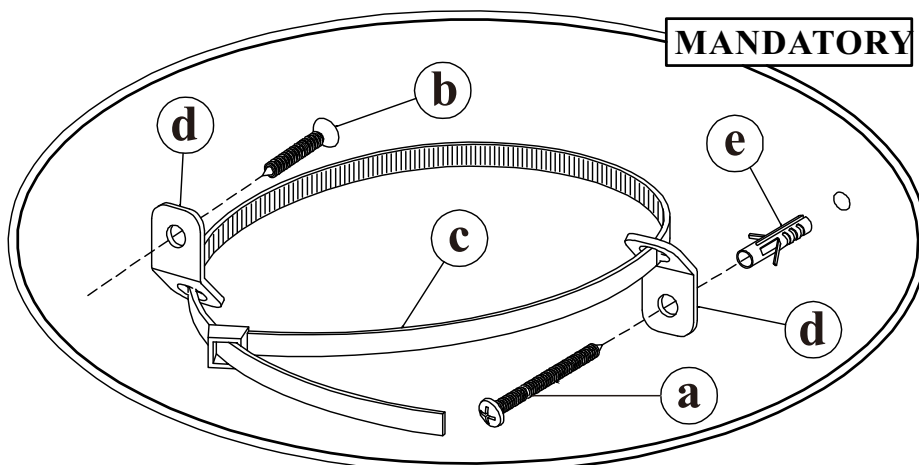
a. Screw ø8 x 2" 1 x

b. Screw ø8 x 5/8" 1 x

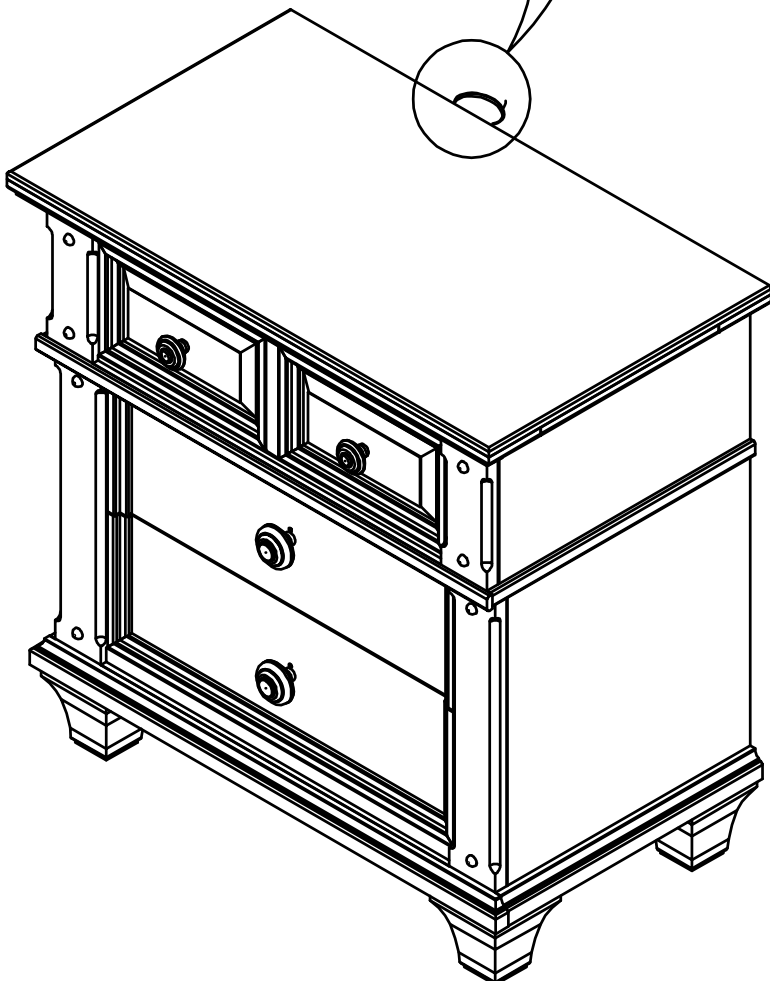
c. Restrain Strap 1 x

d. Metal Tabs 2 x

e. Plastic Wall Anchor 1 x



**MANDATORY**



### **⚠ WARNING**

**Serious or fatal crushing injuries can occur from furniture tipover. To help prevent tip-over :**

- Install tipover restraint provided.
- Place heaviest items in the lowest drawers.
- Unless specifically designed to accommodate, do not set Tv's or other heavy objects on top of this product.
- Never allow children to climb or hang on drawers, doors or shelves.
- Never open more than one drawer at a time.
- (OR)
- Do not defeat or remove the drawer interlock system.

**Use of tip over restraints may only reduce, but not eliminate the risk of tip-over.**

*This is a permanent label. Do not attempt to remove.*