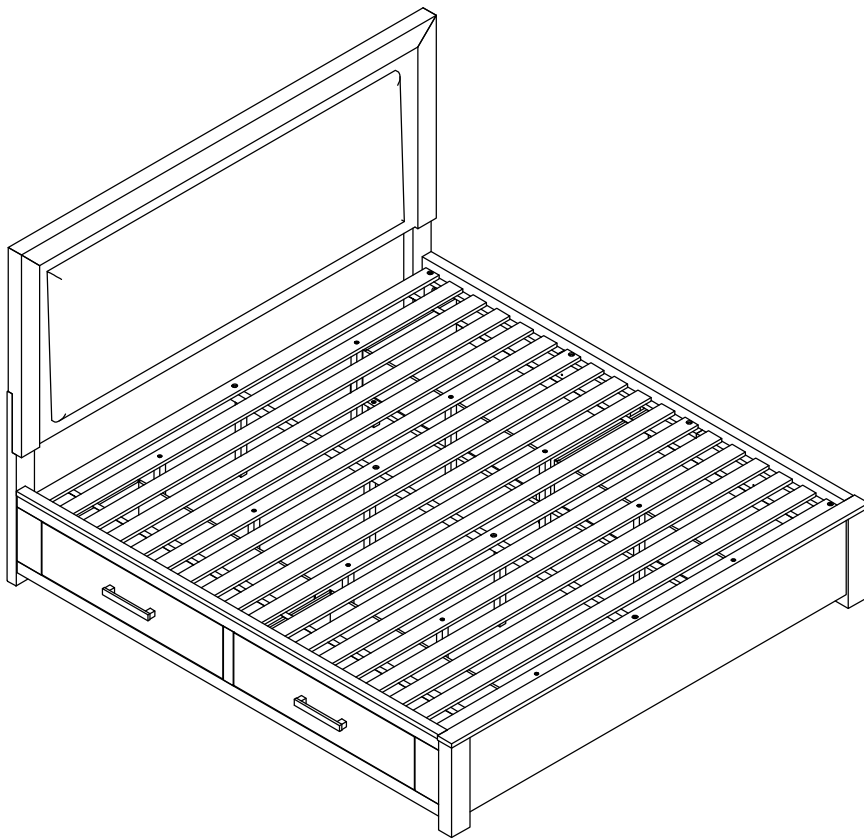


ASSEMBLY INSTRUCTIONS



Fine Furniture for every stage of life

Eastern King Bed

REVISION 0 : 08/15/2024

REVISION 1 : 03/18/2025

ASSEMBLY INSTRUCTIONS

ASSEMBLY TIPS:

1. Remove hardware from box and sort by size.
2. Please check to see that all hardware and parts are present prior to start of assembly.
3. Please follow attached instructions in the same sequence as numbered to assure fast & easy assembly.



WARNING!

1. Don't attempt to repair or modify parts that are broken or defective. Please contact the store immediately.
2. This product is for home use only and not intended for commercial establishments.



ASSEMBLY TIME

25 MINUTES

PARTS IDENTIFICATION

B1 (BOX 1)

AN HEADBOARD PANEL  1PC

CN RIGHT HEADBOARD LEG  1PC

BN LEFT HEADBOARD LEG  1PC

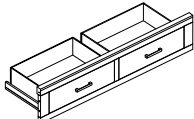
B2 (BOX 2)

DN FOOTBOARD  1PC

FN ROLL SLAT SUPPORT WITH LEVELER  10PCS

EN ROLL SLAT (18PCS)  1SET

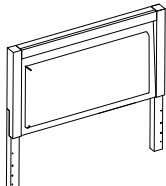
B3 (BOX 3)

GN STORAGE DRAWERS  2SETS

IN CENTER RAIL  1PC

HN DRAWERS SUPPORT LEG WITH LEVELER  6PCS

JN CENTER RAIL SUPPORT WITH LEVELER  4PCS

HBN FROM BOX 1 HEADBOARD COMPLETE  1PC

DN FROM BOX 2 FOOTBOARD  1PC

ASSEMBLY INSTRUCTIONS

ASSEMBLY TIPS:

1. Remove hardware from box and sort by size.
2. Please check to see that all hardware and parts are present prior to start of assembly.
3. Please follow attached instructions in the same sequence as numbered to assure fast & easy assembly.

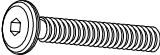





WARNING!

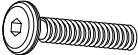



1. Don't attempt to repair or modify parts that are broken or defective. Please contact the store immediately.
2. This product is for home use only and not intended for commercial establishments.

HARDWARE IDENTIFICATION


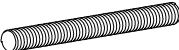



BOX 1 - HARDWARE PACK

1	MEDIUM BOLT (Ø5/16" x 45MM - BLK)		6PCS
2	BIG LOCK WASHER (Ø5/16" - BLK)		6PCS
3	BIG FLAT WASHER (Ø5/16" x 19 x 1.5MM - BLK)		6PCS
4	ALLEN WRENCH (74 x 30 x 4MM - BLK)		1PC

BOX 2 - HARDWARE PACK

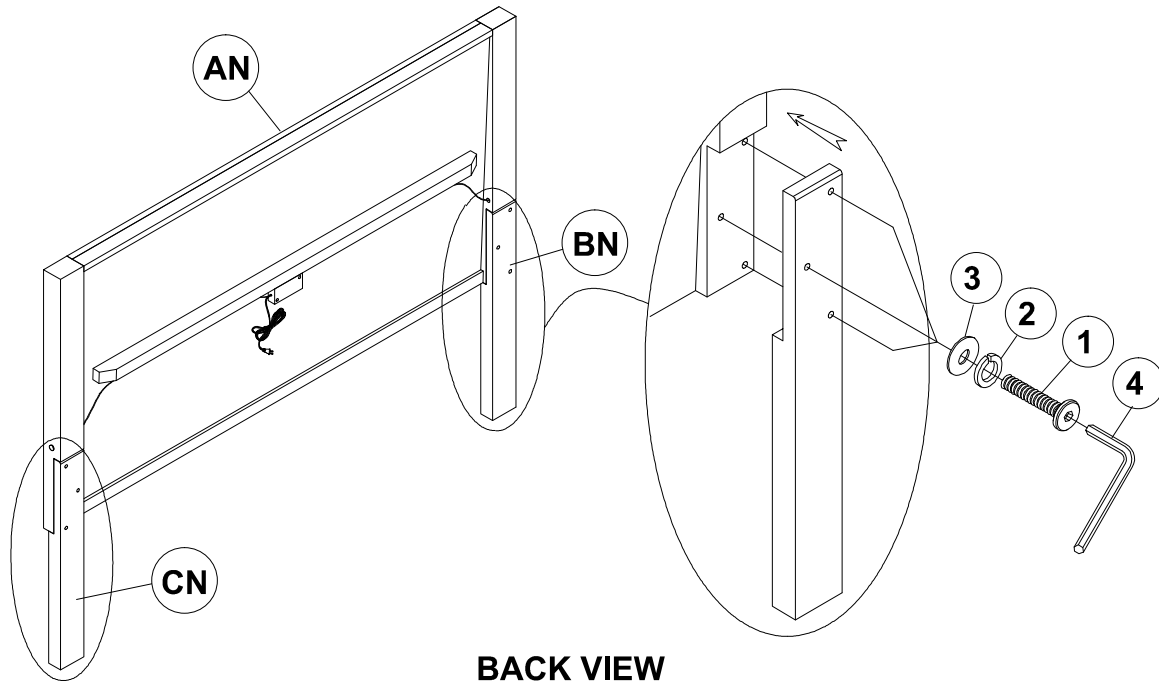
5	SHORT BOLT (Ø1/4" x 32MM - BLK)		12PCS
6	SMALL LOCK WASHER (Ø1/4" - BLK)		12PCS
7	SMALL FLAT WASHER (Ø1/4" x 19 x 1.5MM - BLK)		12PCS
4	ALLEN WRENCH (74 x 30 x 4MM - BLK)		1PC

BOX 3 - HARDWARE PACK

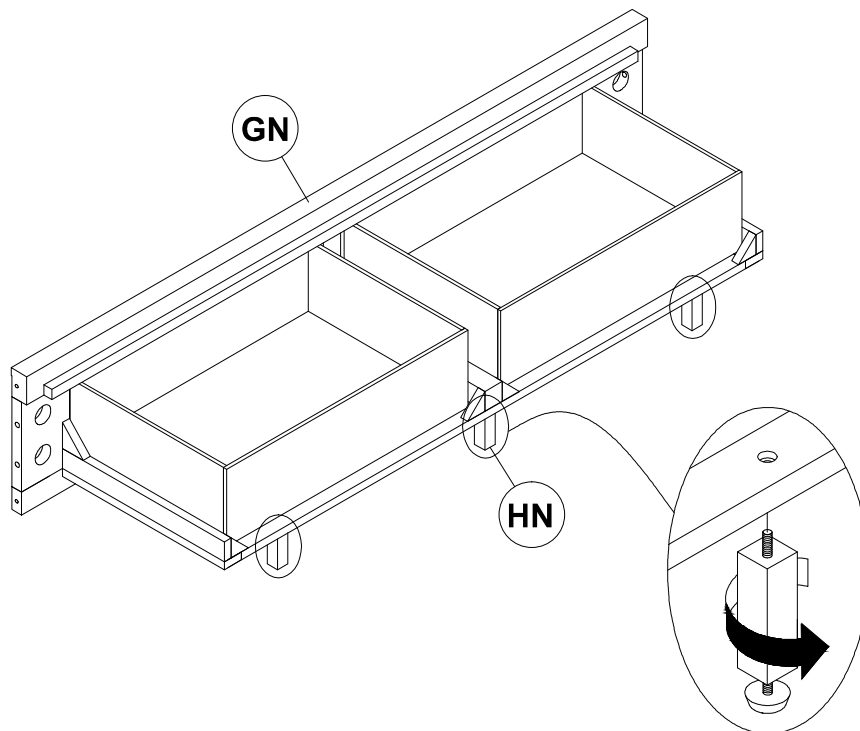
8	WOODEN DOWEL (Ø8 x 40MM)		8PCS
9	THREADED BOLT (Ø5/16" x 75MM - BLK)		8PCS
10	HALF ROUND NUT (25 x 15 x 2MM - BLK)		8PCS
11	HEX NUT (Ø5/16 x 17MM - BLK)		8PCS
12	WRENCH (13MM - BLK)		1PC

ASSEMBLY INSTRUCTIONS

STEP 1

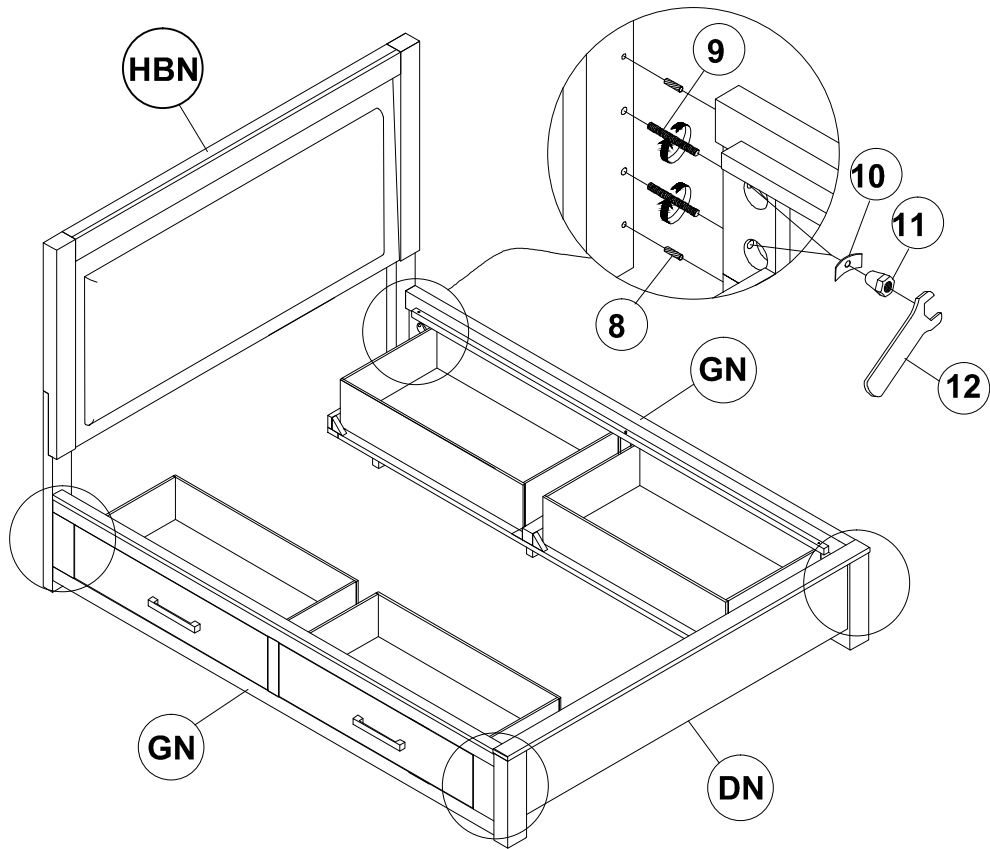


STEP 2

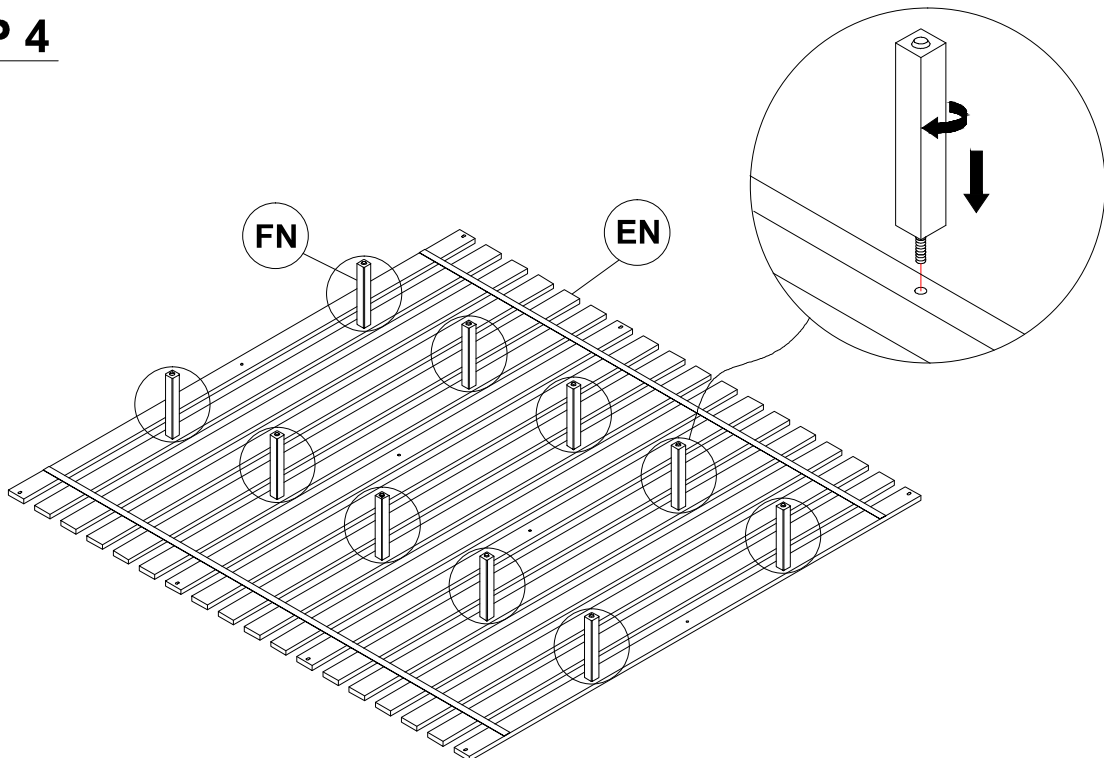


ASSEMBLY INSTRUCTIONS

STEP 3

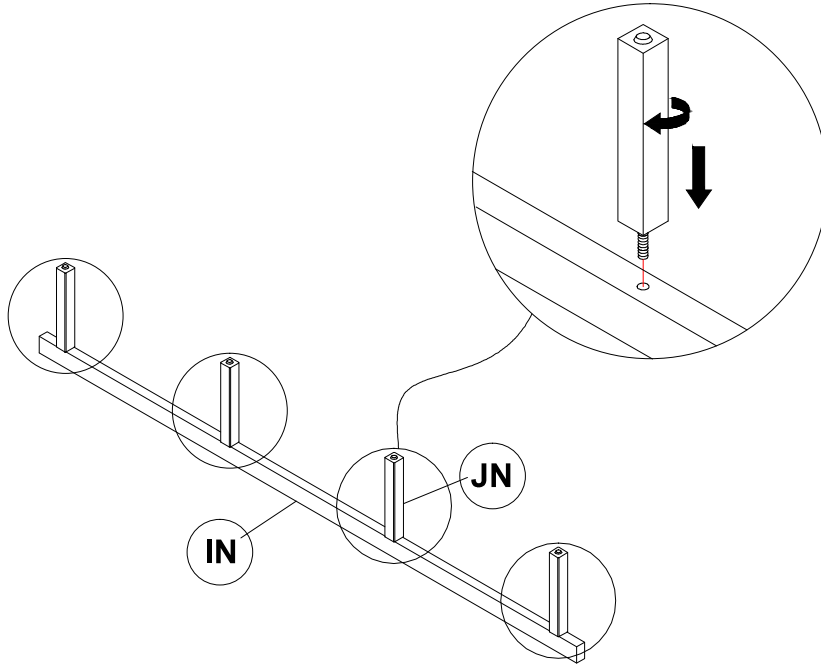


STEP 4

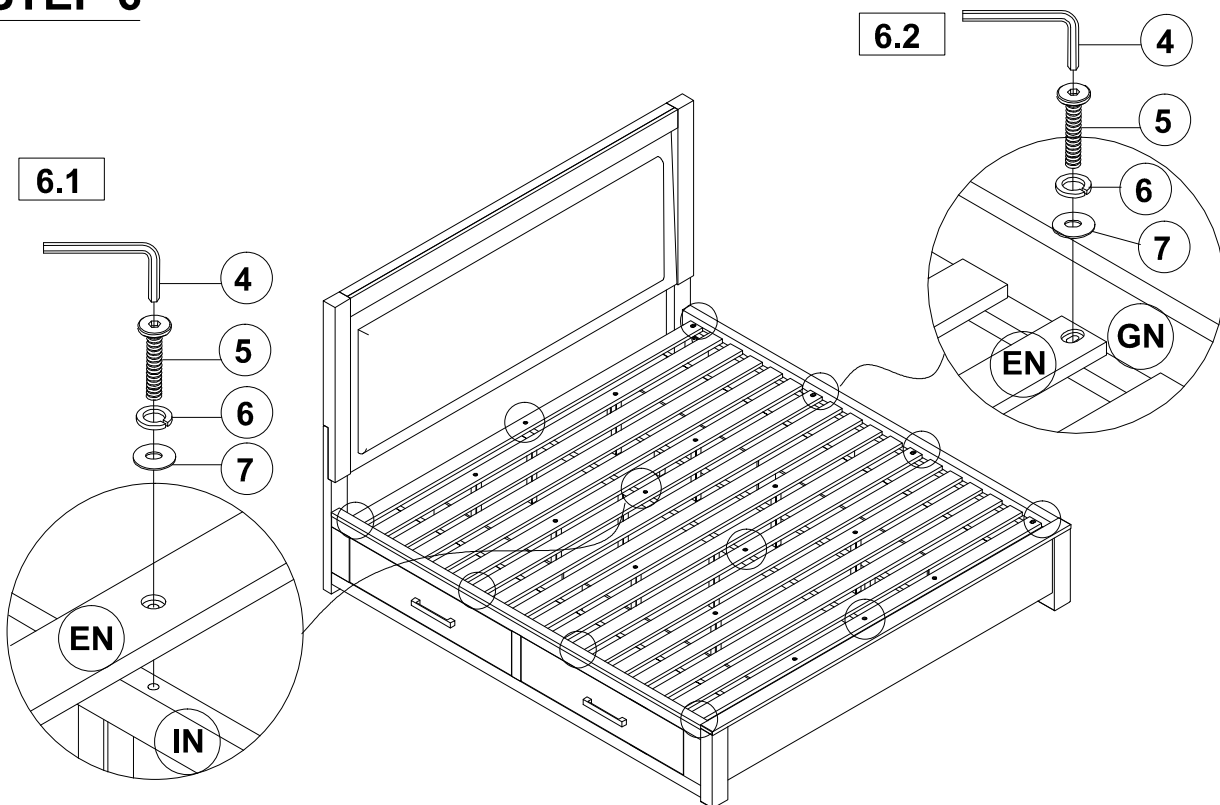


ASSEMBLY INSTRUCTIONS

STEP 5



STEP 6



ASSEMBLY INSTRUCTIONS

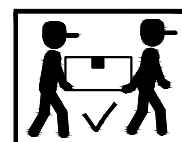
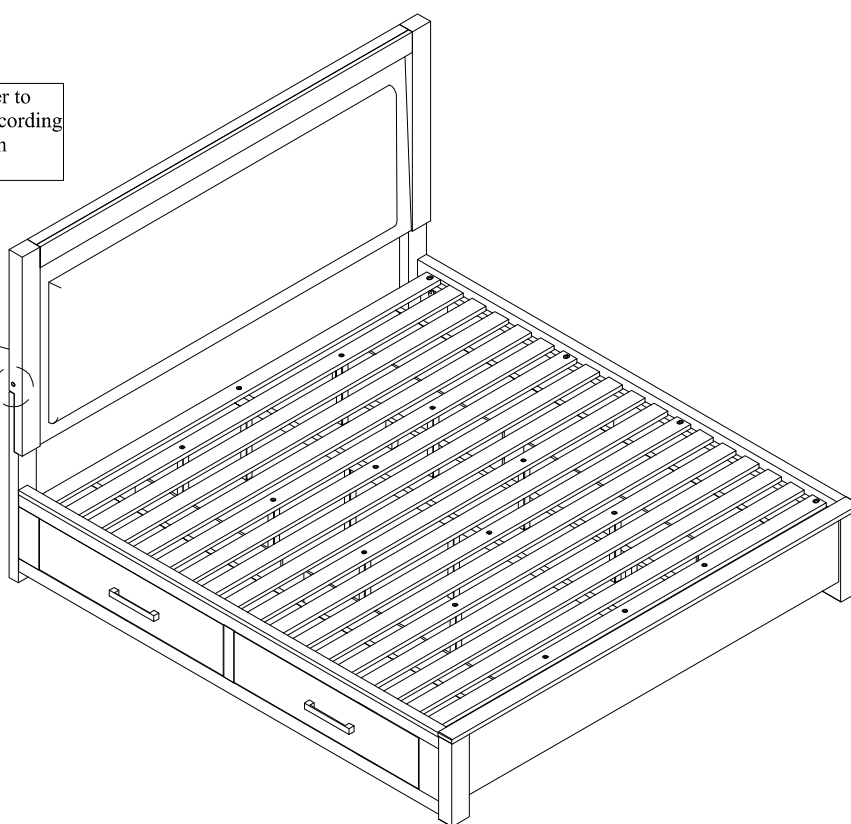
STEP 7

COMPLETE

★ Attach the Adapter to the power source according to the instructions on the adapter.

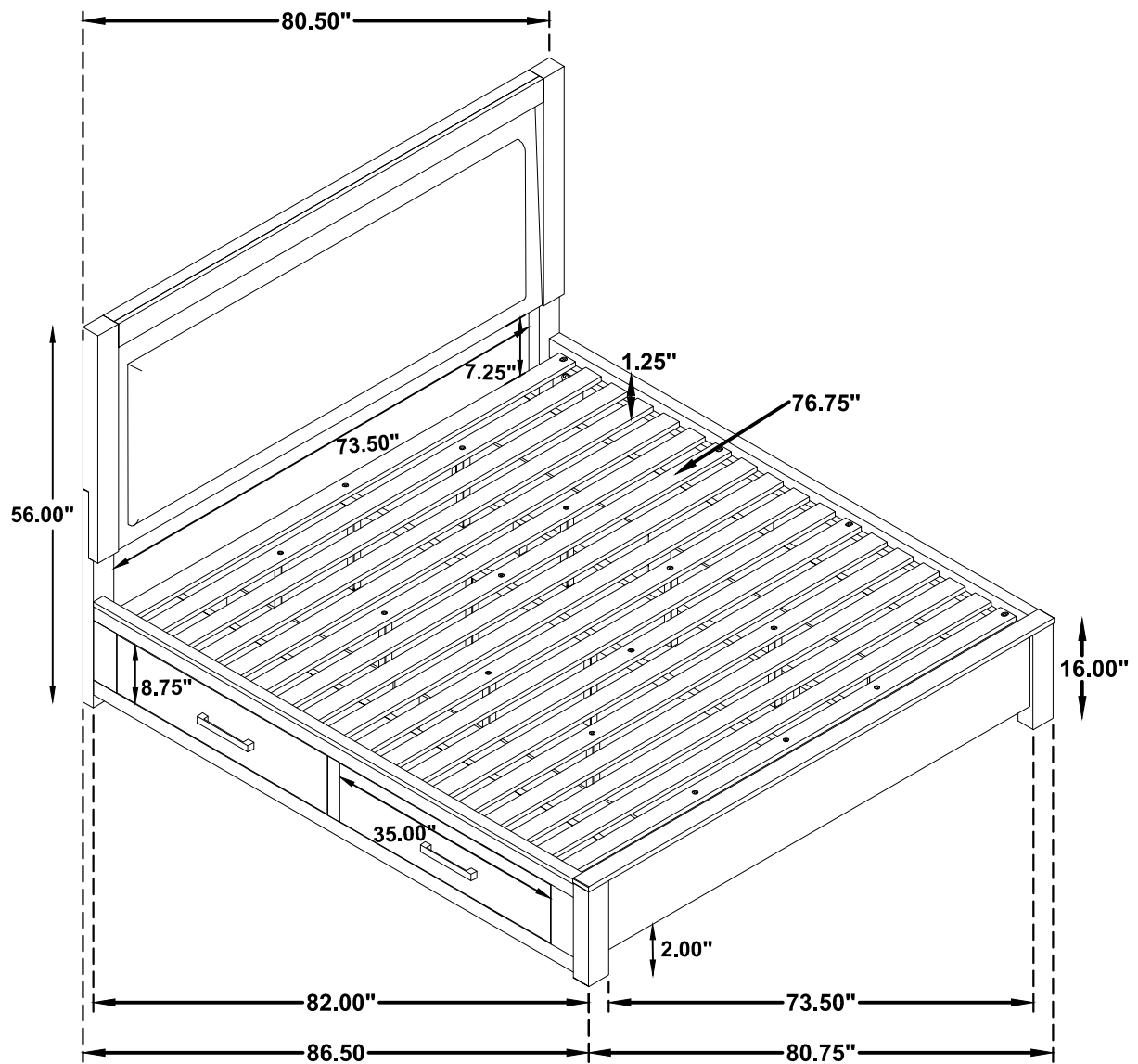


Touched light location
Your Touch is the Switch
Touch 1-Night light
Touch 2-Energy saver light
Touch 3-Bright reading light
Touch 4-Off



Inner Size : 77.00"W X 82.00"D

Inner Size of Drawer : 33.00"W X 17.50"D X 7.00"H X 0.50"T



Note: Dimension tolerance $\pm 5\%$