



Sofa

ASSEMBLY INSTRUCTIONS

Guidelines

Thank you for selecting an Elle Decor Collection piece!

Our primary objective is to provide fast, friendly customer service to all of our customers. We are here to help if you have any questions, comments, or are in need of warranty replacement parts.

Please call us toll free at: 1-855-372-2315 U.S.
0-800-051-6775 U.K.

U.S. Monday - Friday 6:00am - 5:00pm PST,
U.K. Monday - Friday 2:00pm - 1:00am U.K. Time

Or visit our website:
www.truecustomersupport.com
www.trueinnovations.com

FAILURE TO FOLLOW THESE WARNINGS WHEN IN USE COULD RESULT IN INJURY

- Do not stand on the item or use as a step ladder
- The piece (if chair or sofa) has been tested and approved for users weighing up to 250 lbs (113kg) per seat.
- Do not use this item unless all bolts and screws are firmly secured and fastened.
- Check all bolts and screws every 90 days. As necessary tighten if any are loose.
- Lift up then move. Pushing over or dragging this product can result in an injury or cause damage to the floor and piece.

Pre-Assembly Preparation:

Please read through this instruction booklet before beginning assembly of this item.

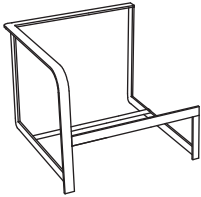
Two adults are recommended for assembly.

- Clear out the space for assembly and lay out all parts on Parts List, extra room will allow you to easily determine if all the pieces are present.
- Save all packing materials until assembly is complete to avoid accidentally discarding smaller parts or hardware.
- Keep small parts and pieces away from children and pets until fully assembled.
- Please check for any loose screws and tighten them before you use.

WARNING: DO NOT LET CHILDREN PLAY IN OR AROUND THE UNIT DUE TO THE POSSIBLE RISK OF INJURY.

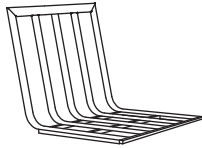
Parts List

1



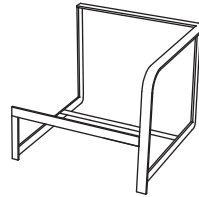
Right support frame (1)

2



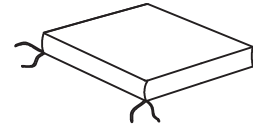
Seat frame (2)

3



Left support frame (1)

4



Seat cushion (2)

5



Back cushion (2)

6



Pillow (2)

A.



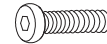
Bolt M6x15mm (6)

B.



Bolt M6x35mm (4)

C.



Bolt M6x50mm (2)

D.



Washer (12)

E.



Bolt cover (12)

F.



Nut (2)

G.



Nut cover (2)

H.



Allen key (1)

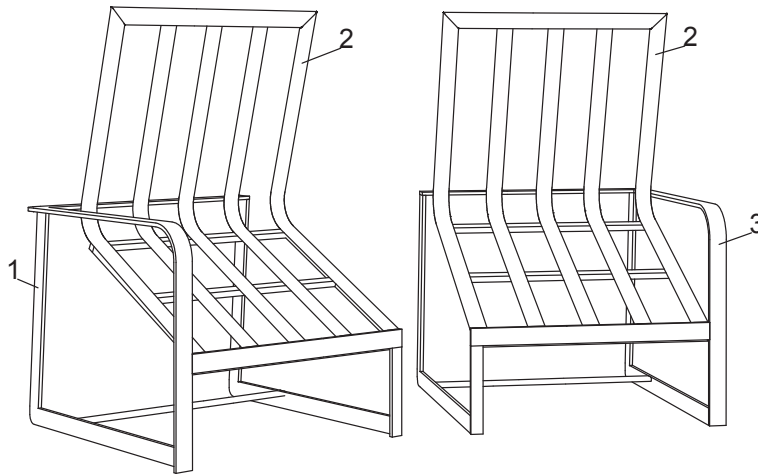
J



Wrench (1)

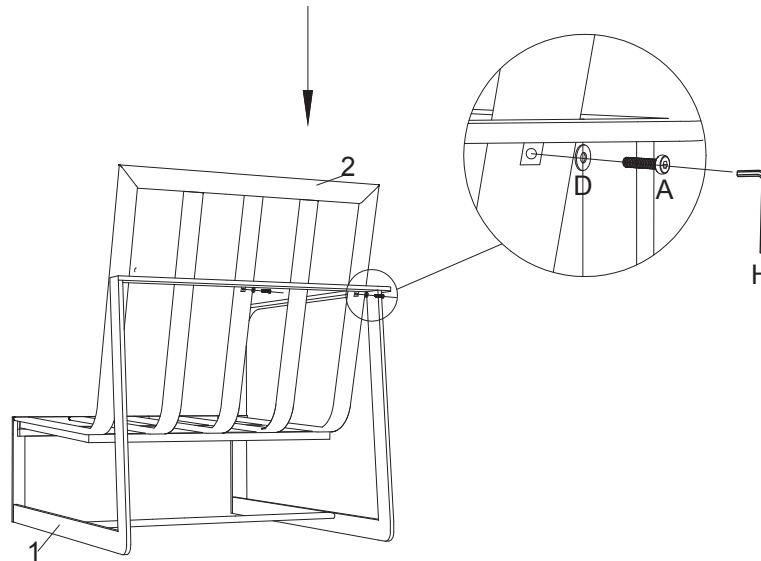
Step 1-- 1. Remove all parts from the carton and place them on a protected surface or carpet.

2. Ensure all parts match to the parts list on this.



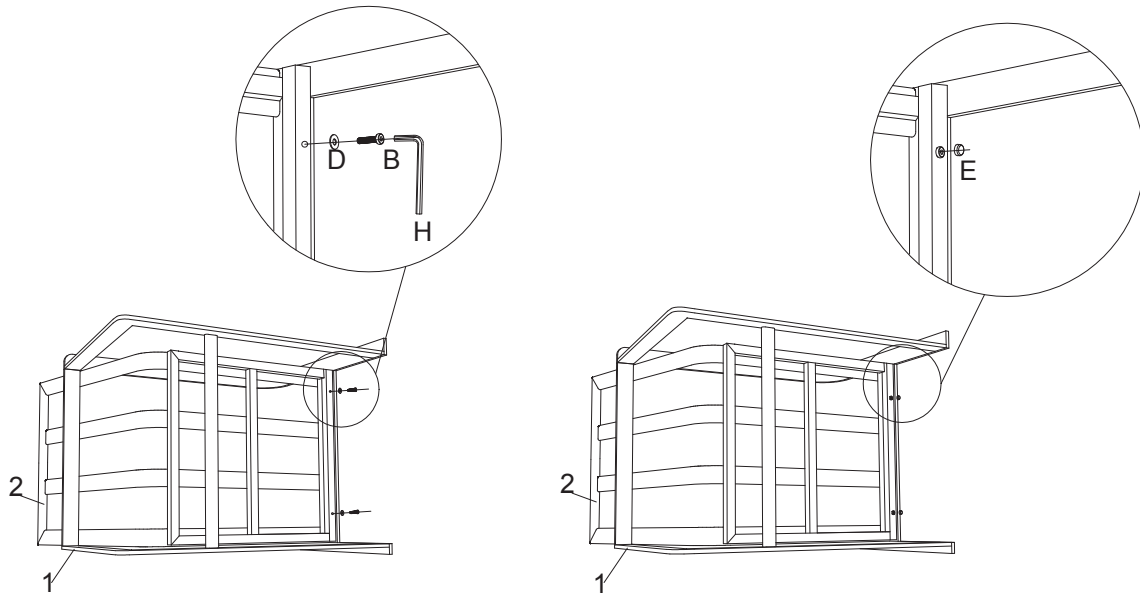
Step 2-- 1. Put Seat frame (2) to Right support frame (1), Press down Seat frame to firmly secure.

2. Attach Bolts M6x15mm (A) with Washer (D) into holes located on Support frame and Seat frame, please don't fasten completely bolts.

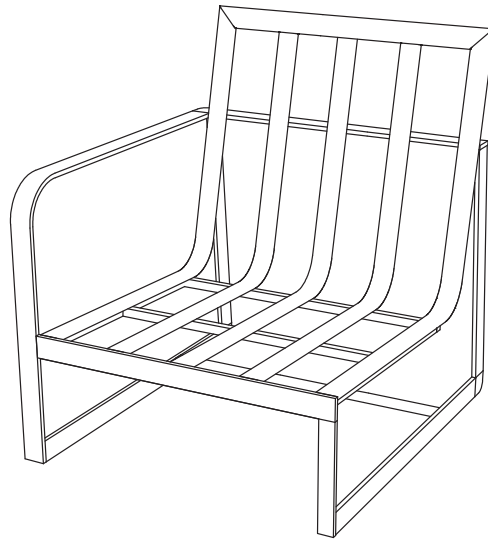


Step 3-- 1. Turn the Chair 90 degrees, Attach Bolts M6x35mm (B) with washer (D) into holes located on Support frame and Seat frame, then fasten with Allen Key (H).

2.Ensure all bolt connections are fully tightened. Use Bolt covers (E) covered all bolt heads.

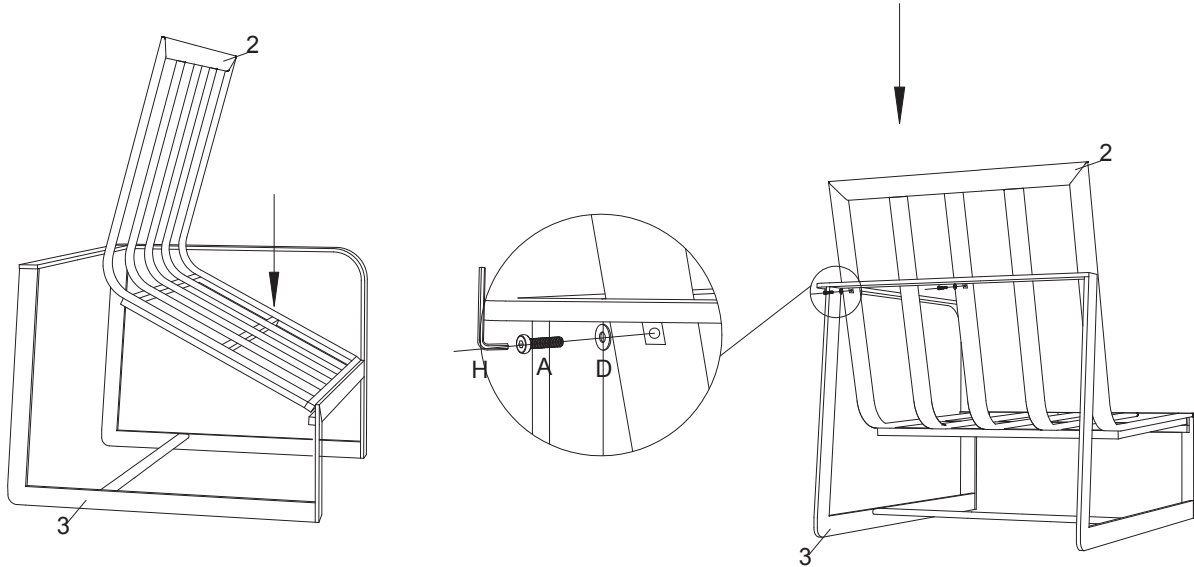


Step 4-- Turn the chair 90 degrees, the right chair finished



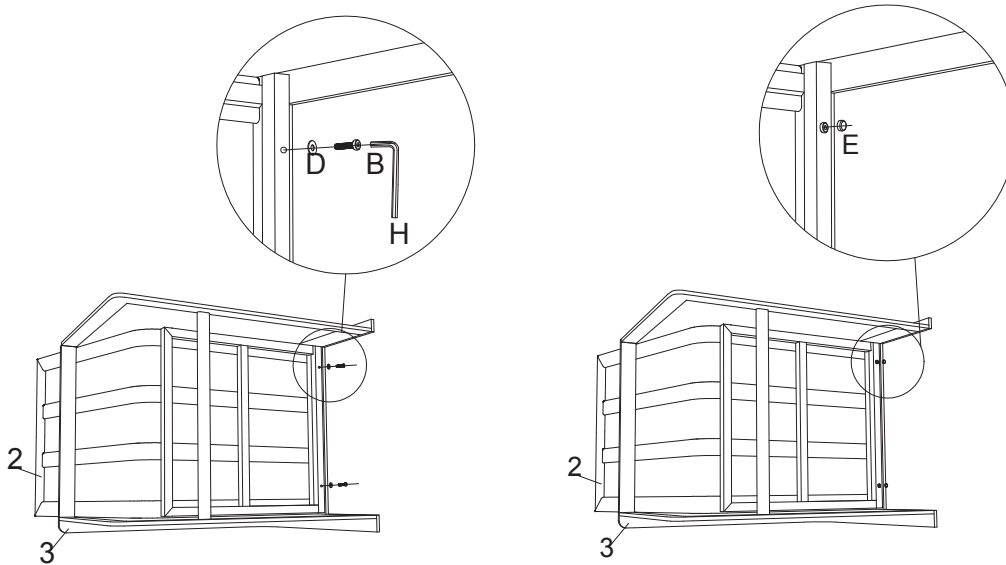
Step 5-- 1. Put Seat frame (2) to Left support frame (3), Press down Seat frame to firmly secure.

2. Attach Bolts M6x15mm (A) with washer (D) into holes located on Left support frame (3) and Seat frame (2), please don't fasten completely bolts.

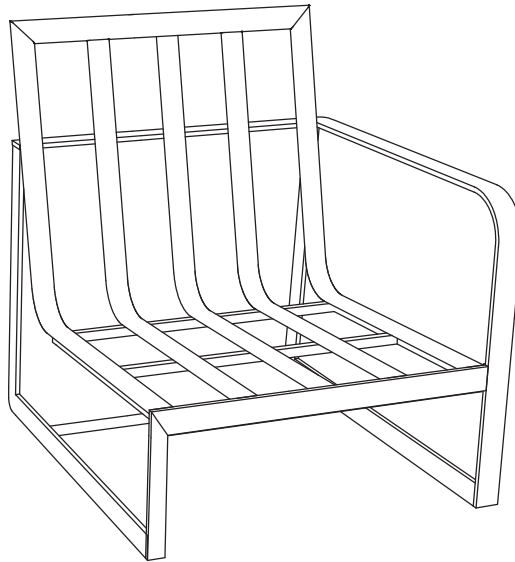


Step 6-- 1. Turn the Chair 90 degrees, Attach Bolts M6x35mm (B) with washer (D) into holes located on Support frame and Seat frame, then fasten with Allen Key (H).

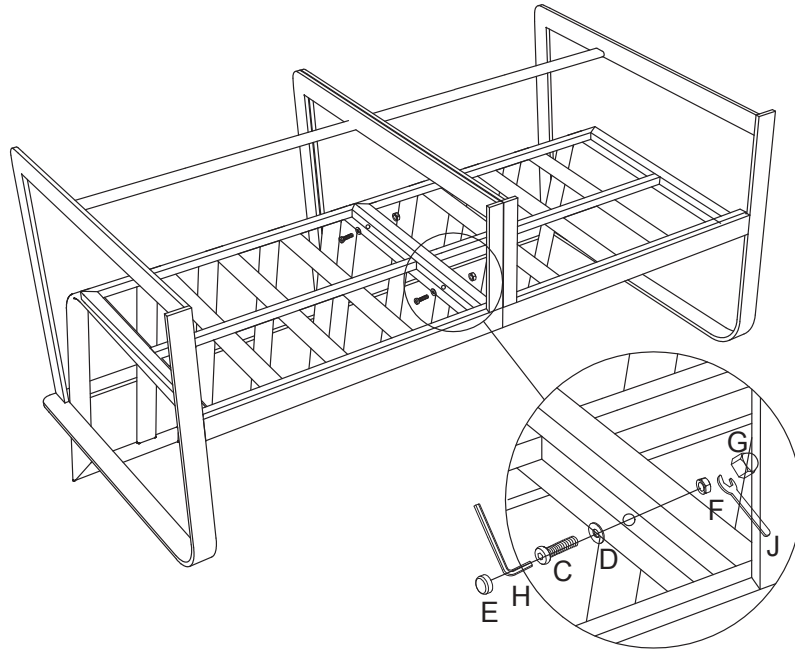
2.Ensure all bolt connections are fully tightened. Use Bolt covers (E) covered all bolt heads.



Step 7-- Turn the chair 90 degrees, the Left chair finished.

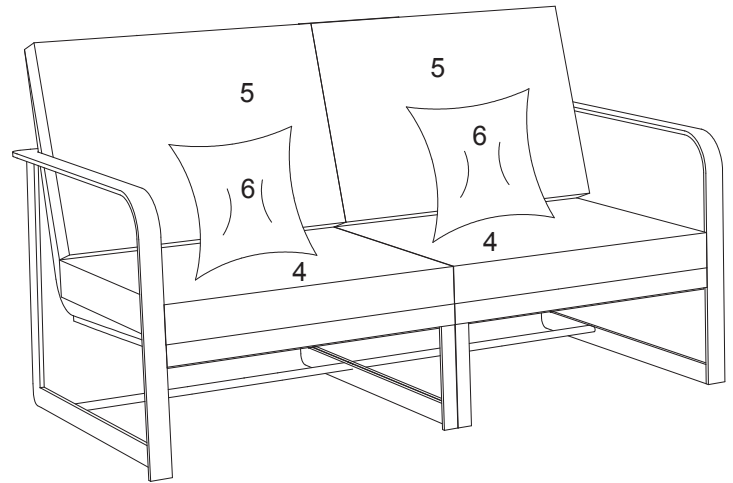
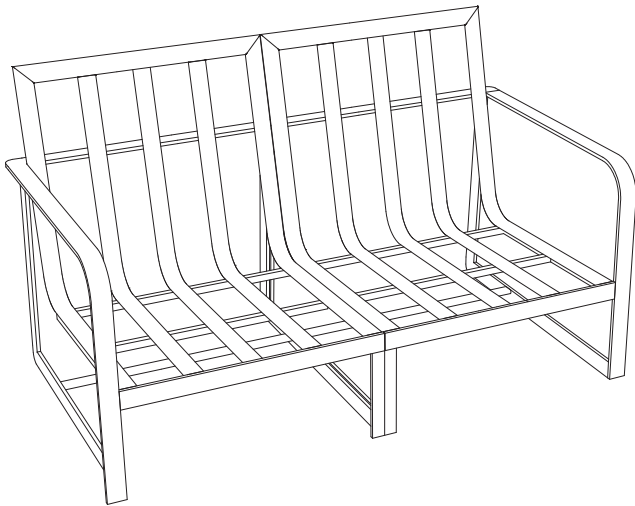


- Step 8--** 1. Turn two Chairs 180 degrees and close as shown, Insert Bolts M6x50mm (C) with washer (D) into holes located on Seat frame bottom rails, attach Nuts (E) on the bolts, then fasten with Allen Key (H) and Wrench (J).
- 2.Ensure all bolt connections are fully tightened. Use Bolt covers (E) and Nut covers (G) covered all bolt heads and nuts.

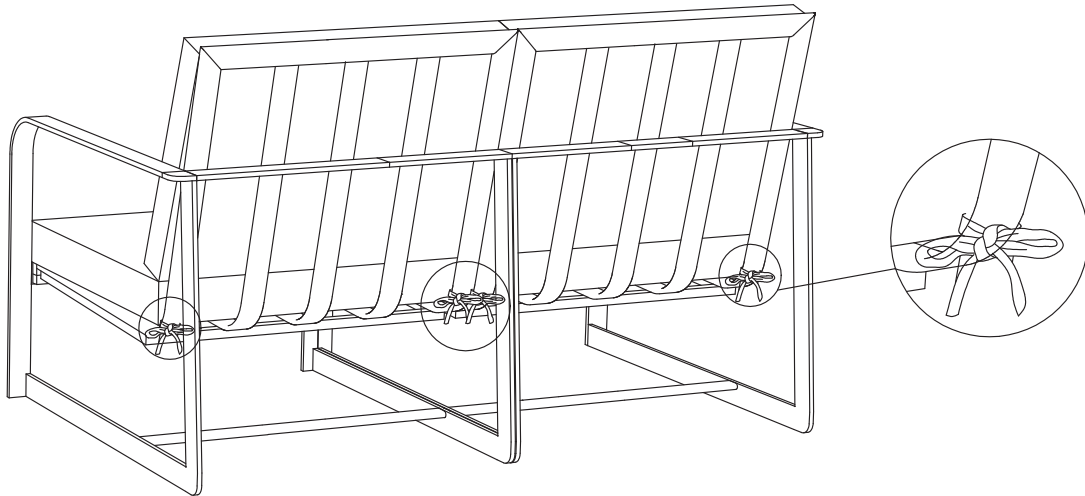


Step 9-- 1. Turn the Sofa frame 180 degrees.

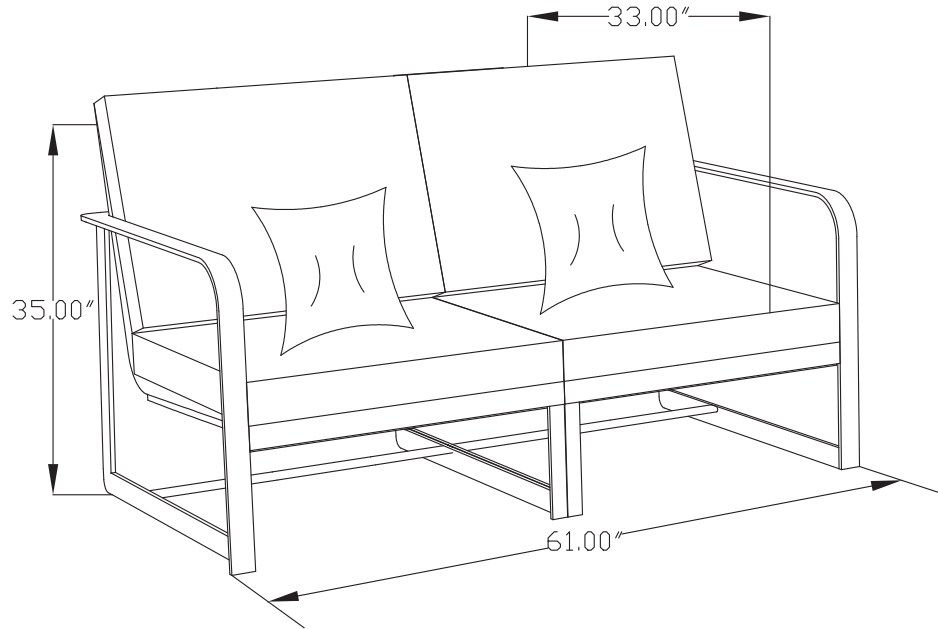
2. Place Cushions (4), (5) and Pillows (6) as shown.



Step 10-- Ensure the straps of Seat cushion (4) are fastened to back frame as shown.



Product Dimension



Limited Warranty

The product you have purchased is warranted against defects in material and workmanship while owned by the “Original Purchaser”. The term “Original Purchaser” is defined as that party or entity which purchases these products from an authorized dealer or retailer as shown by the original sales receipt. This warranty does not apply to “as is” or previously owned products.

The manufacturer warrants its products to be free from defects in materials and workmanship (normal wear and tear, fading and stretching excepted), for one year from the date of purchase, except as provided below under the limited warranty.

This warranty gives you specific rights, and you may also have other rights, which vary from state to state (or country to country). All warranties are limited to the original purchaser for normal use by a maximum of two users. Total weight capacity per chair is 250 pounds for a single user.

The exceptions or exclusions to this warranty are:

- Upholstery material and foam cushion material is warranted against defects in material and workmanship for a period of one year, beginning on the date of purchase as shown on the original sales receipt.
- Any warranty claim that is submitted after the limited warranty period, or without proper proof of purchase will not include the cost of parts, labor, or delivery on the warranted parts within a reasonable amount of time. We reserve the right to require damaged parts to be returned to us upon request. Natural markings such as scars, brands, grain variations, wrinkles, color variations, etc. will be considered normal characteristics and not construed as defects.
- For claims or questions concerning this warranty, please contact the Customer Service Department on the web at www.truecustomersupport.com. Be prepared to provide your name, address, daytime phone number, the model and purchase order number of the product, date of purchase, and the store where it was purchased. The manufacturer requires that the original sales receipt be submitted with all requests to confirm that you are the original purchaser according to our written warranty.