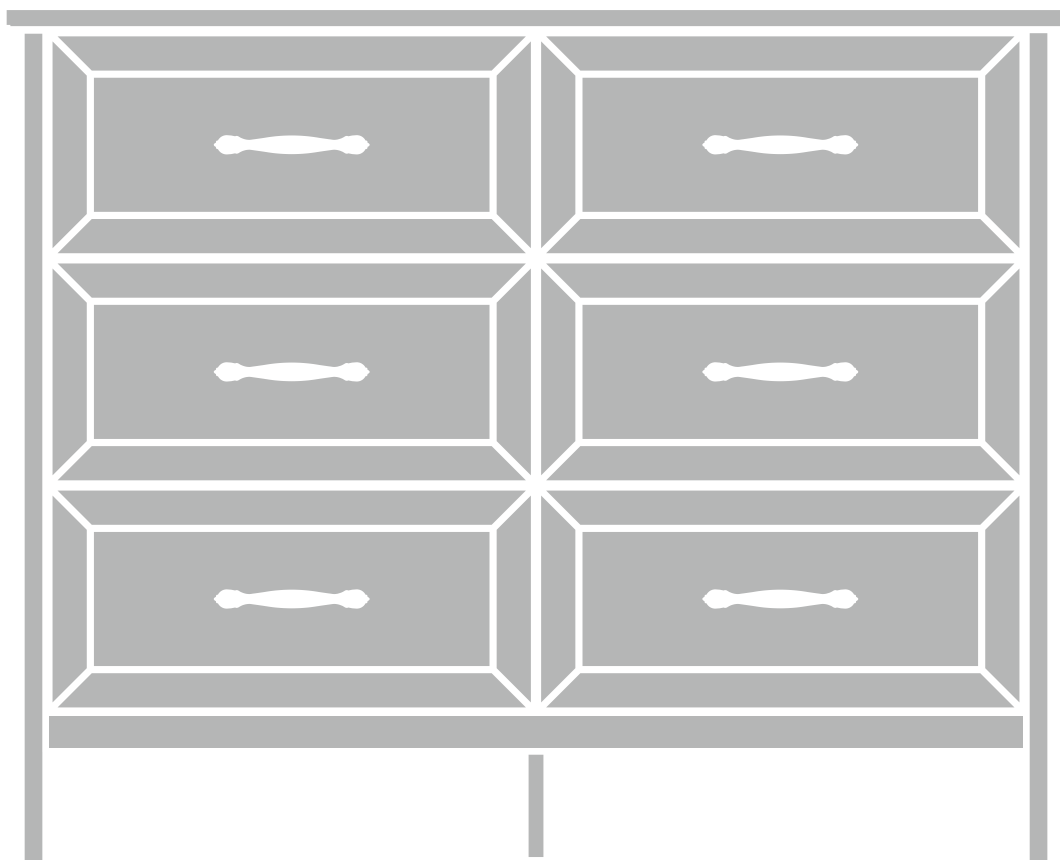
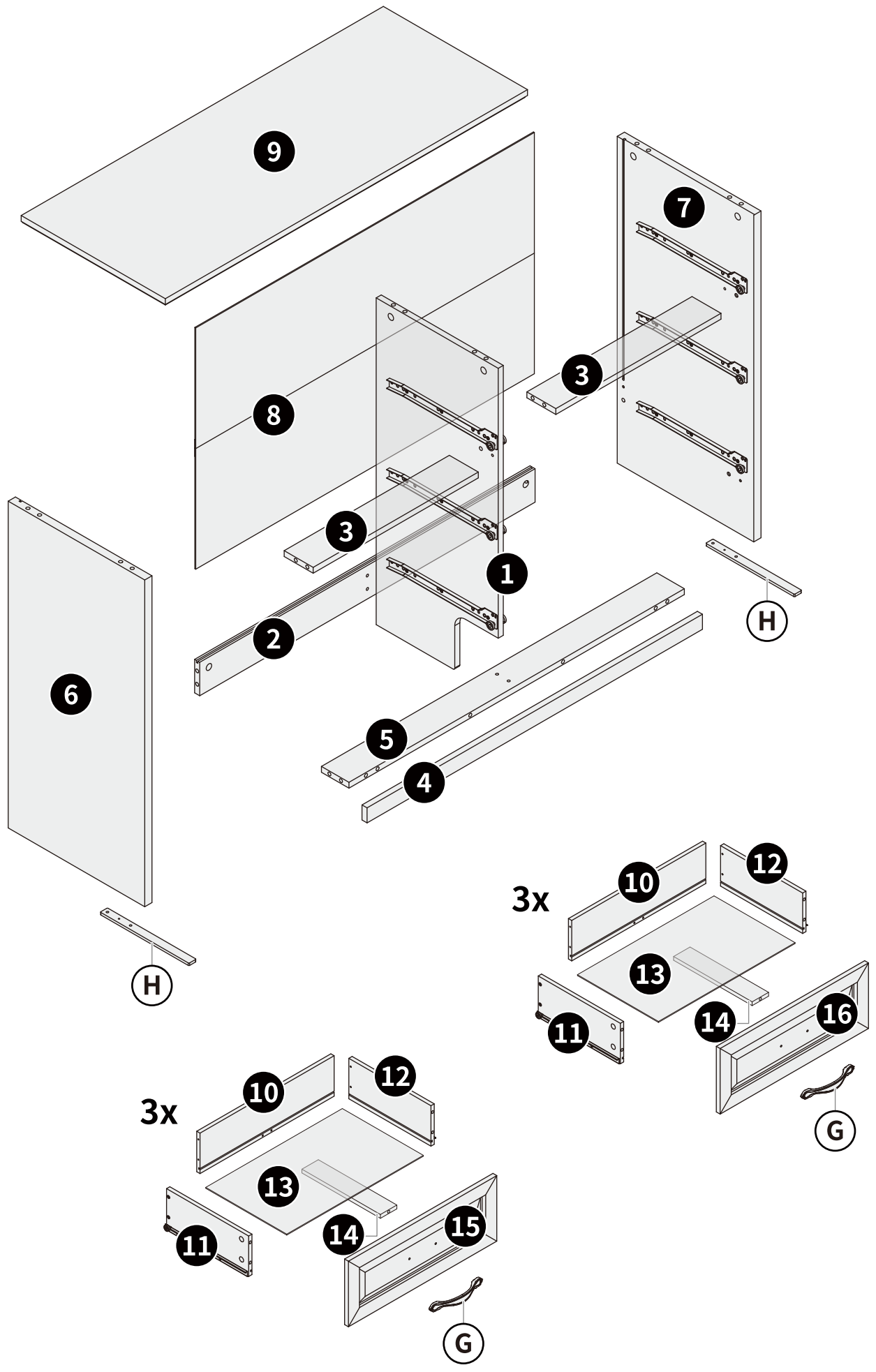
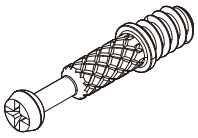
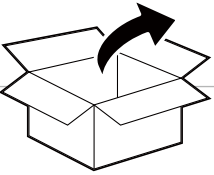
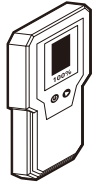
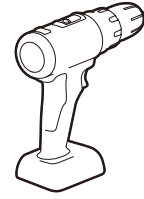
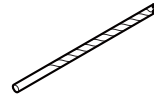
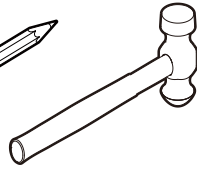
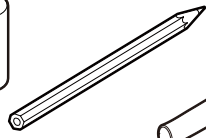
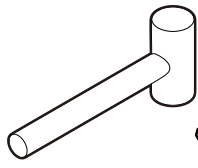
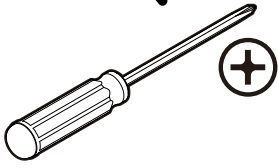
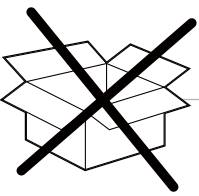


AMDC01



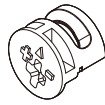
support@bsqworld.com





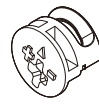
Ø6 x 34mm

A x 48



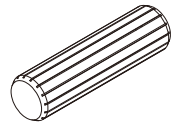
Ø15 x 11.5mm

B1 x 18



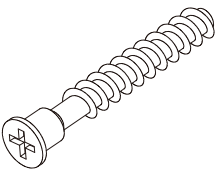
Ø15 x 9.5mm

B2 x 30



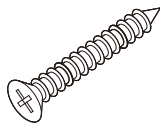
Ø8 x 30mm

C x 16



Ø6 x 50mm

D x 4



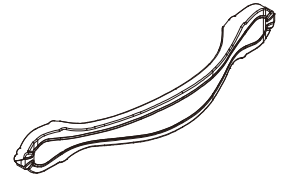
Ø4 x 35mm

E x 42

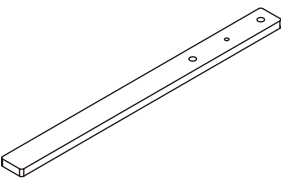


Ø4 x 12mm

F x 12



G x 6



H x 2

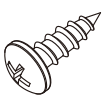


I x 12

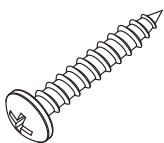


Ø3 x 15mm

J x 12



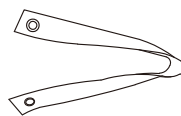
ST4 x 12mm
x 2



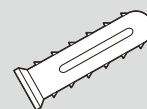
ST4 x 25mm
x 2



x 4



x 2

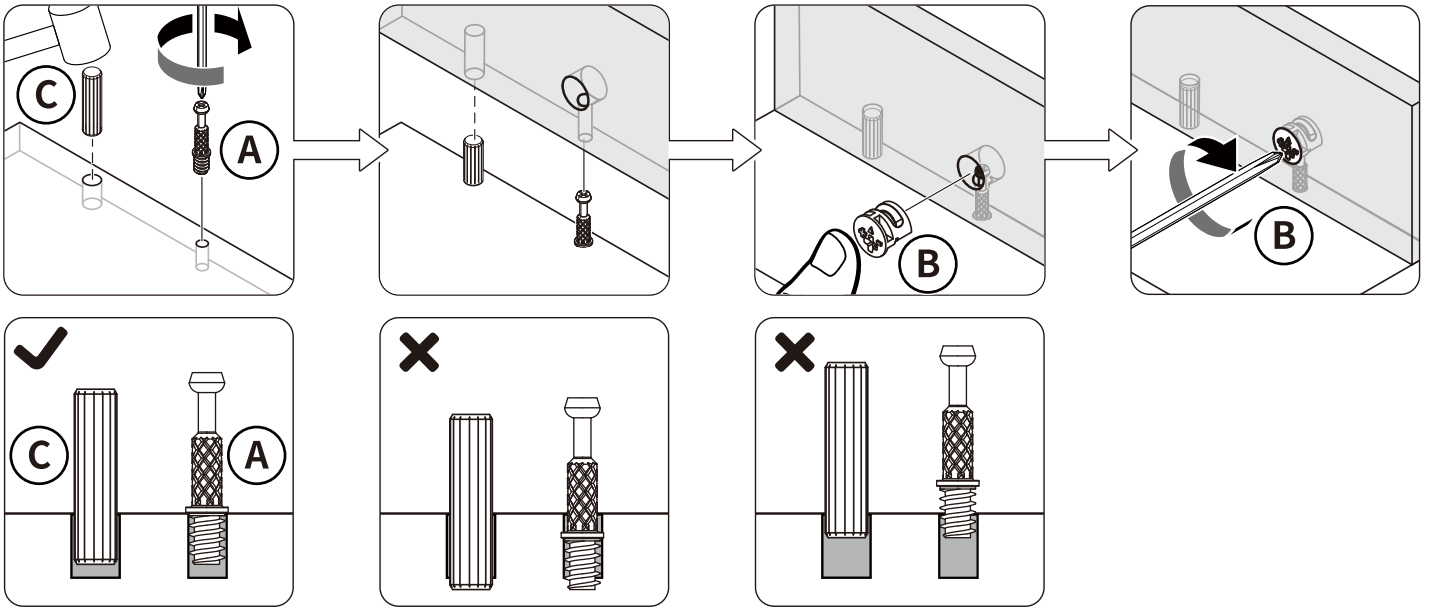


Ø8 x 30mm
x 2

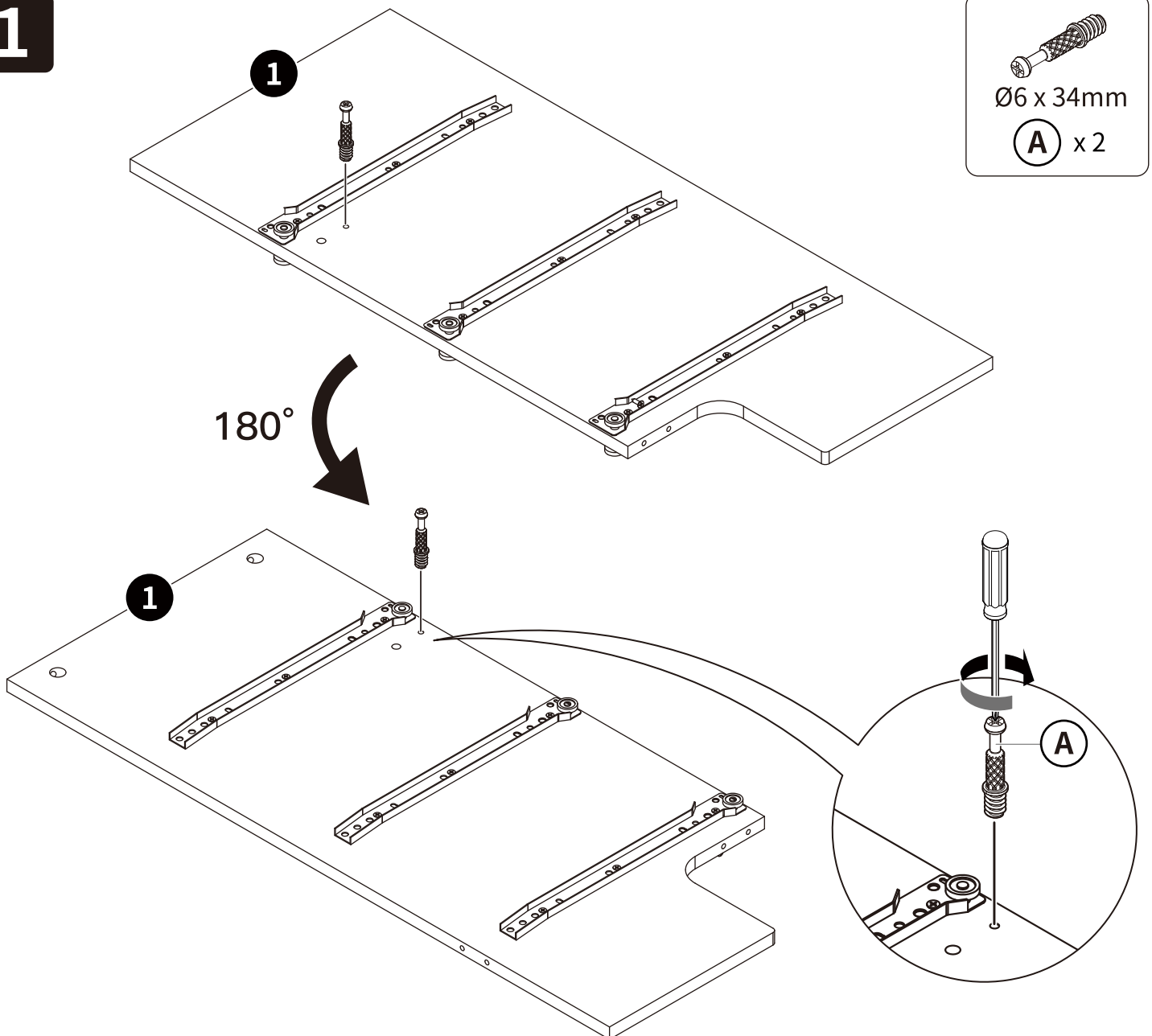
! CAUTION!

This wall anchor is for concrete ONLY. DO NOT use them in drywall or wood studs.

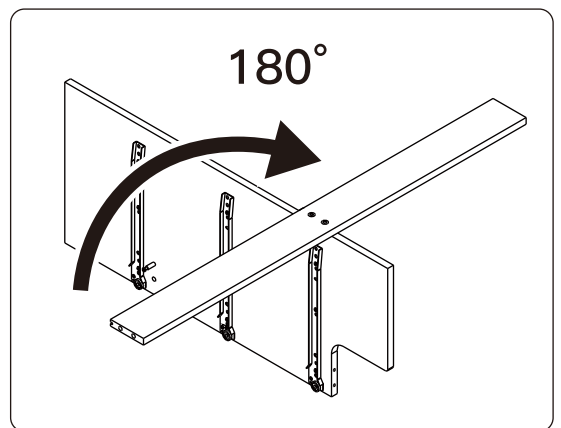
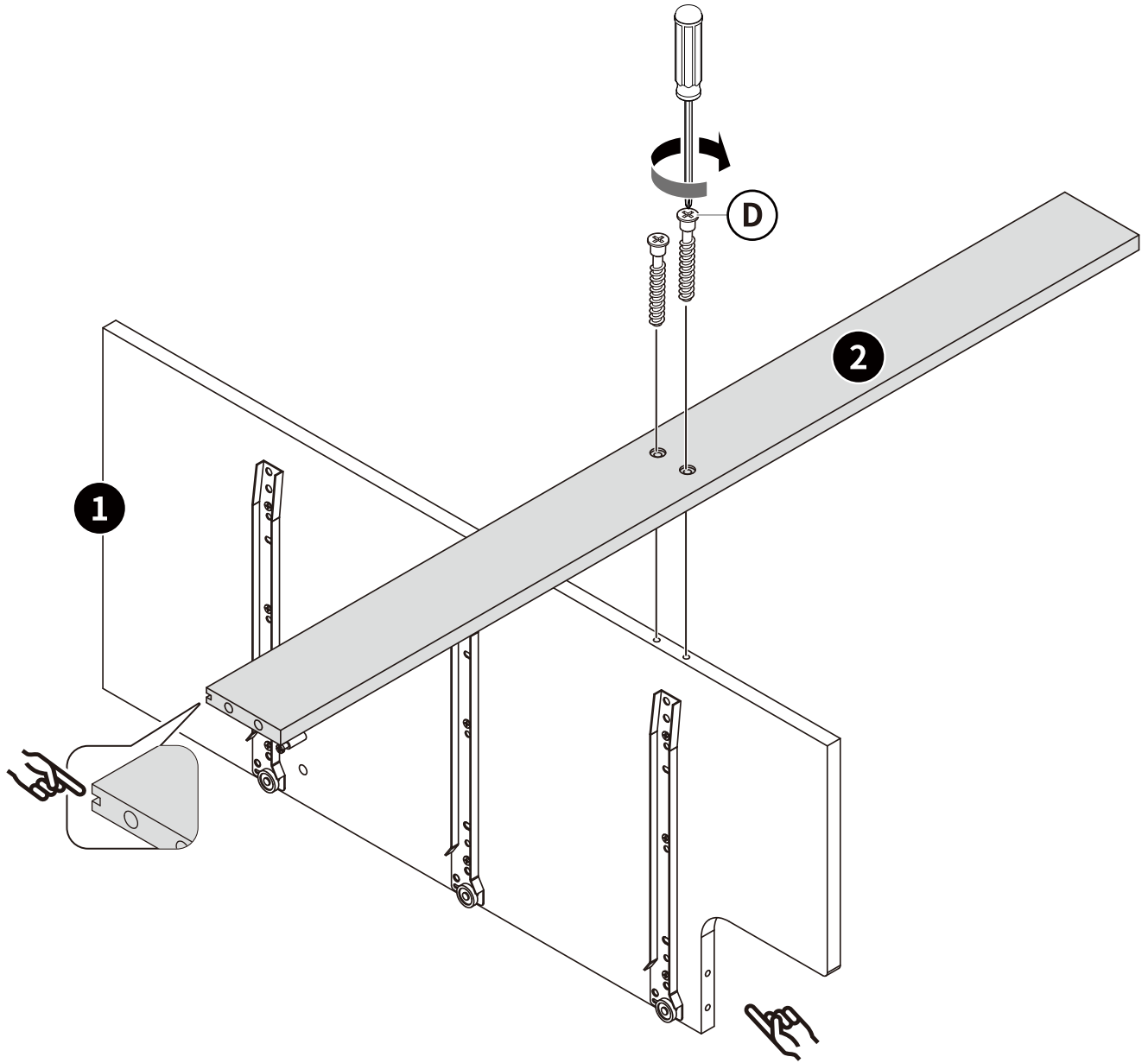
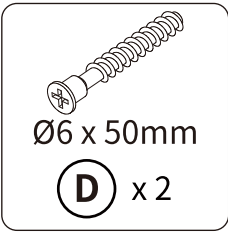
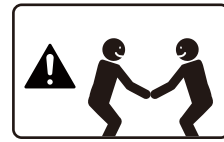
Installation Guide



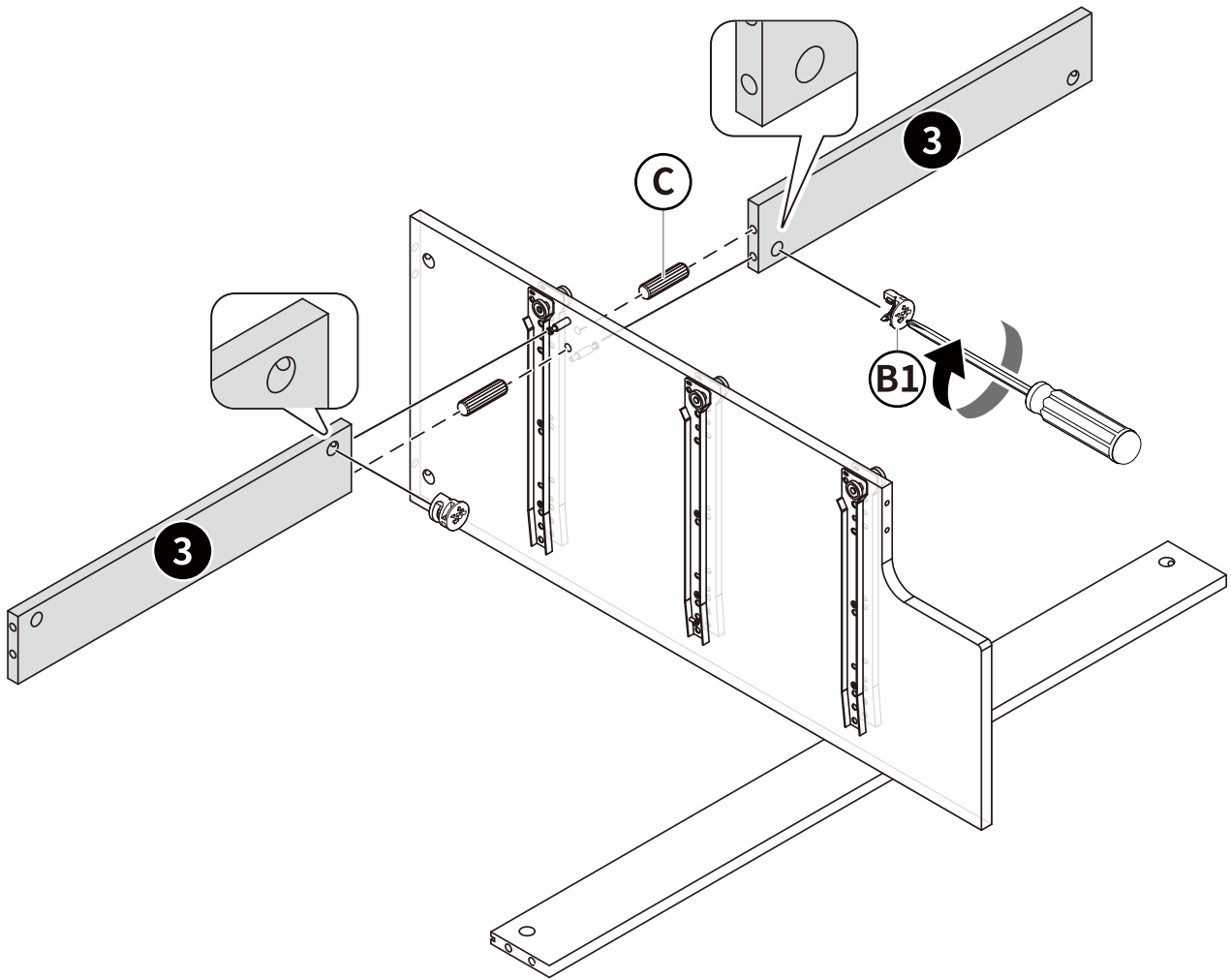
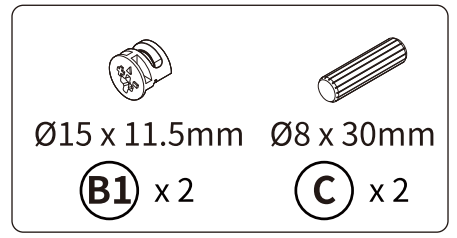
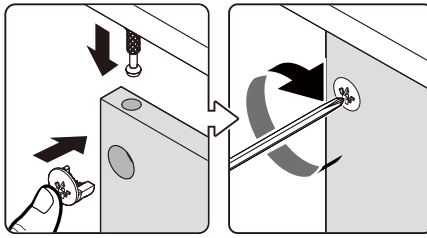
1



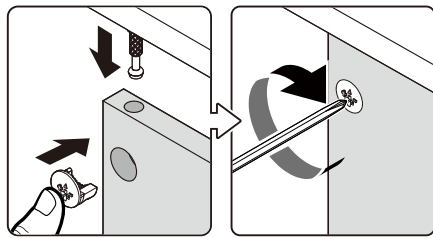
2

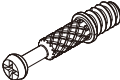

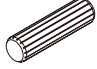


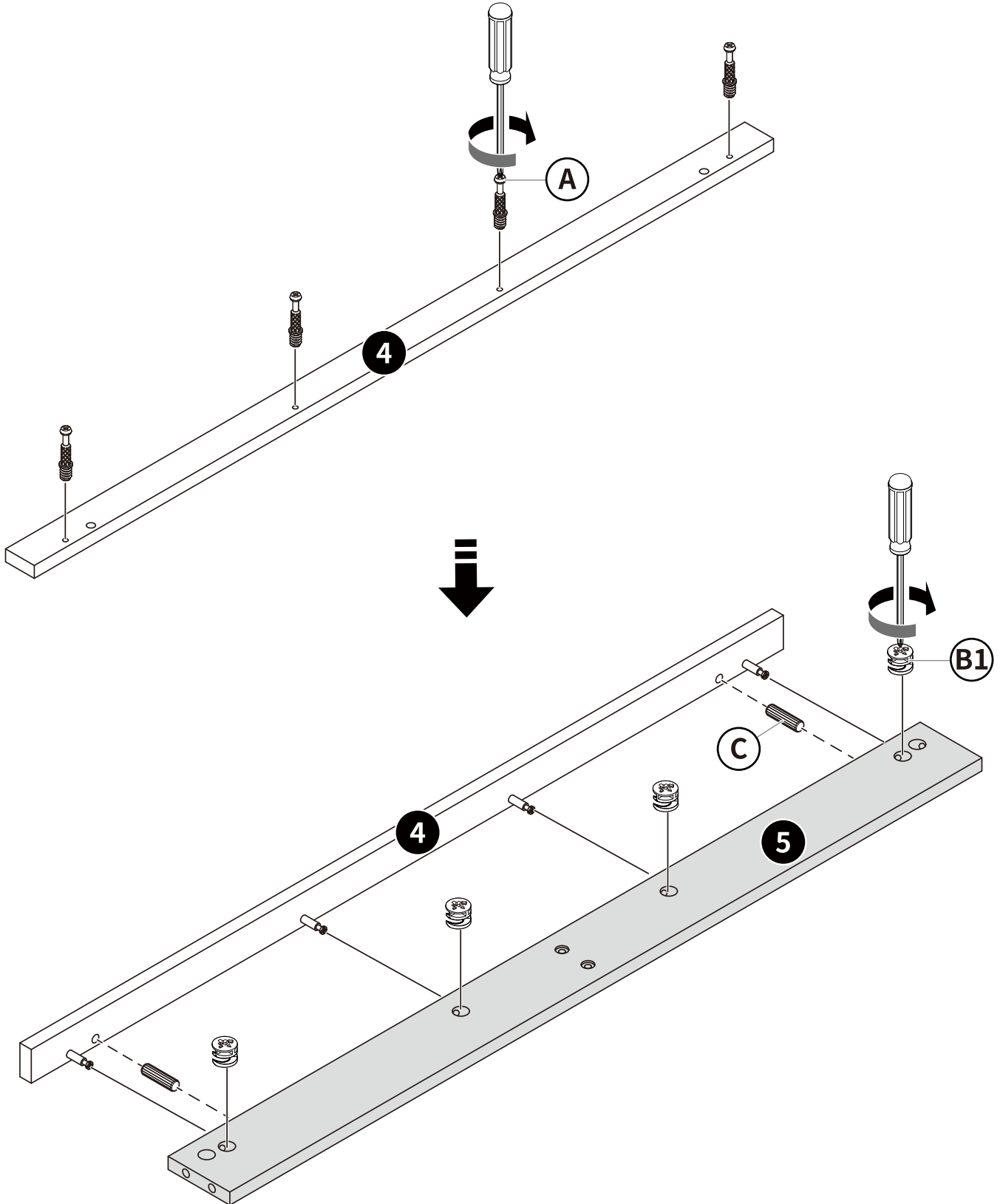
3



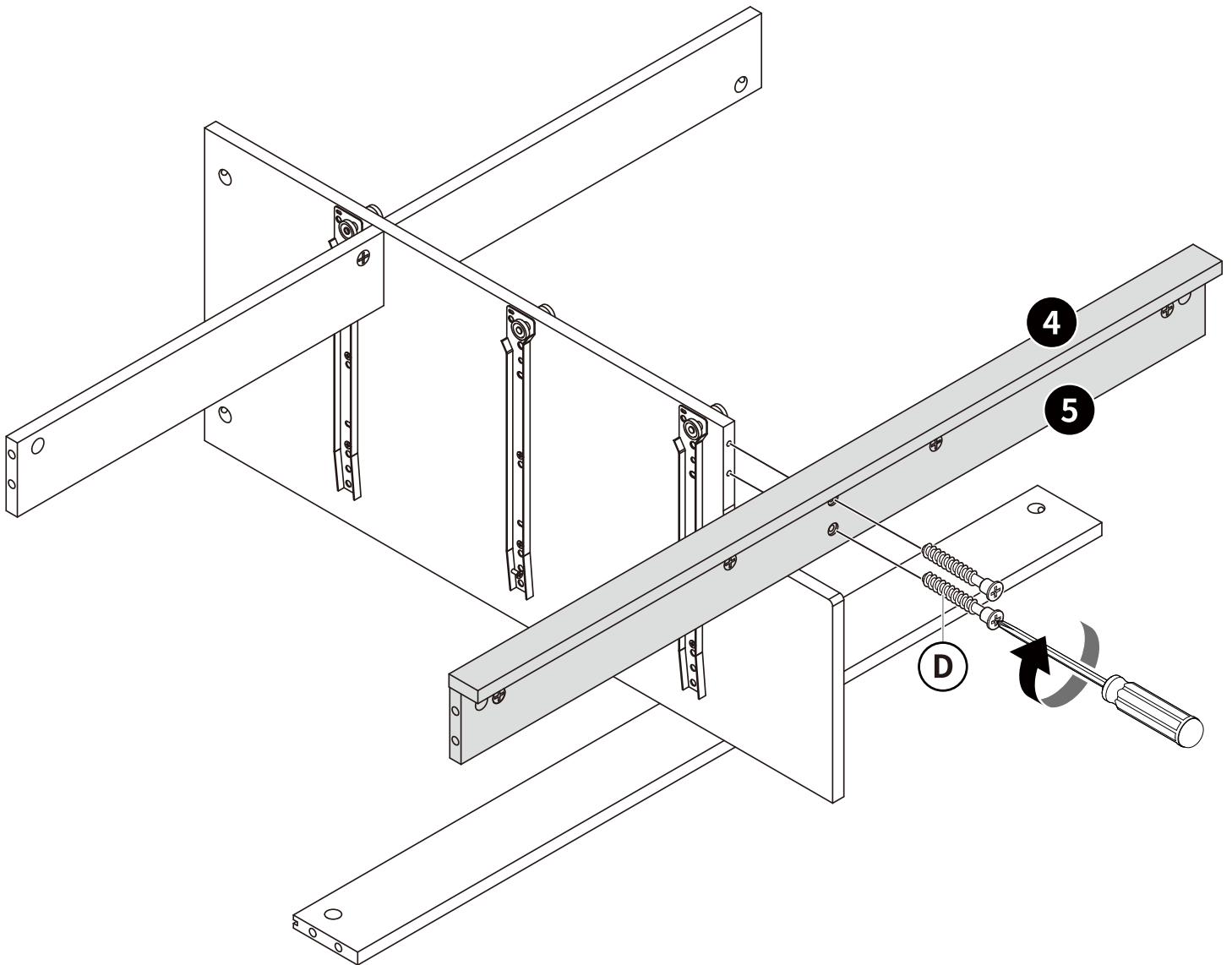
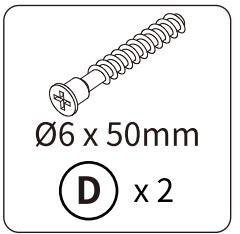
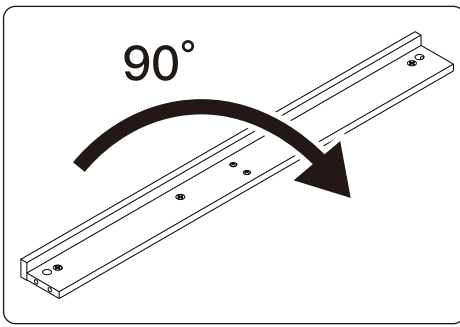
4



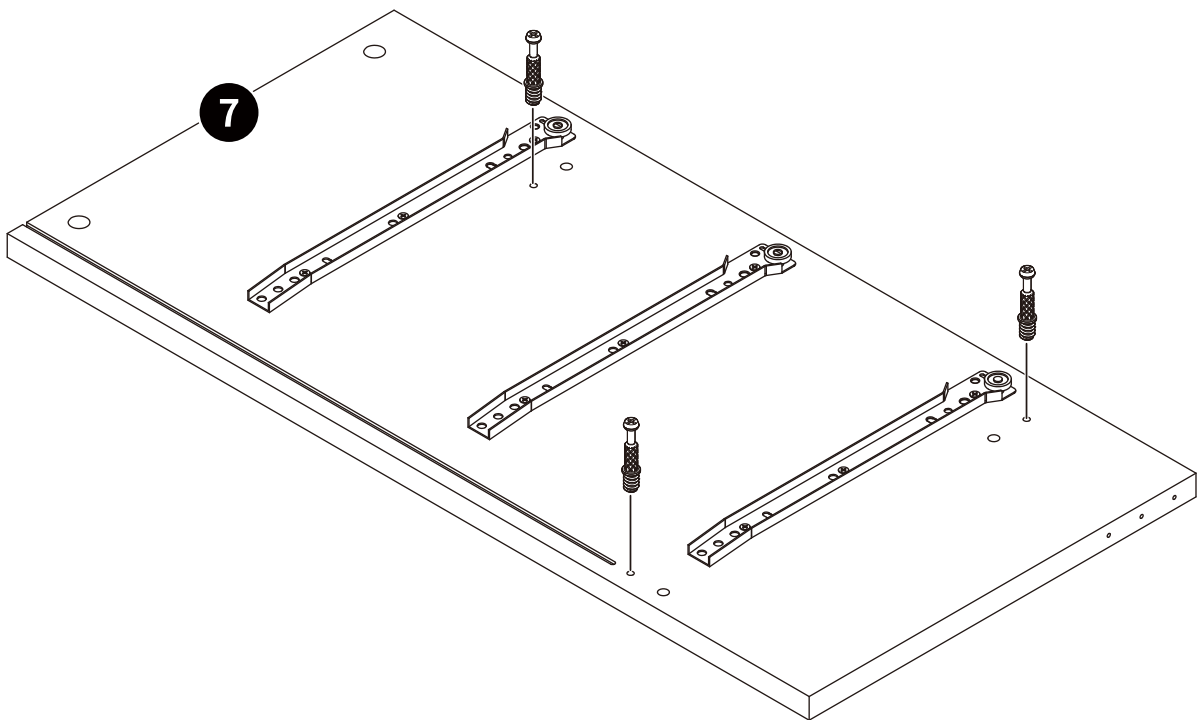
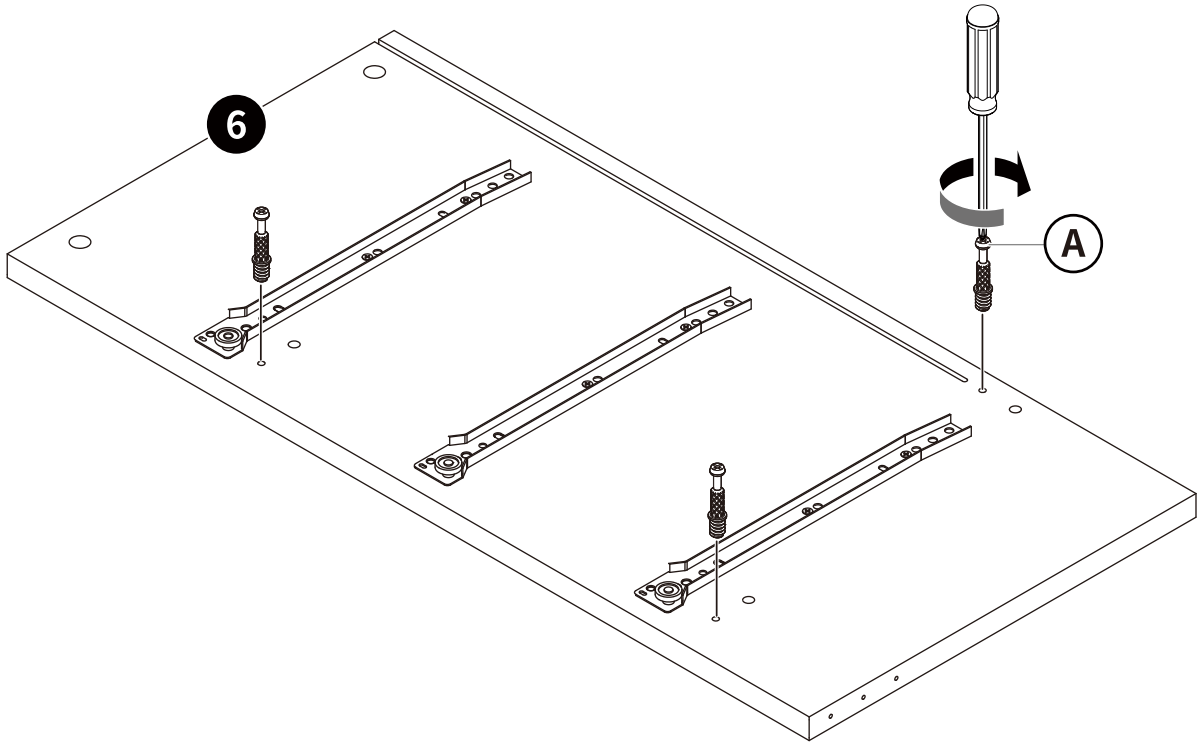
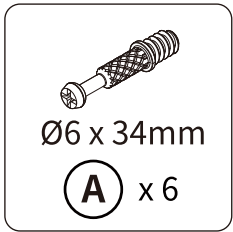
		
Ø6 x 34mm	Ø15 x 11.5mm	Ø8 x 30mm
(A) x 4	(B1) x 4	(C) x 2



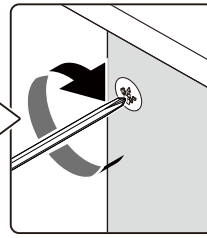
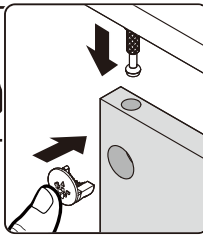
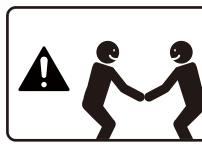
5



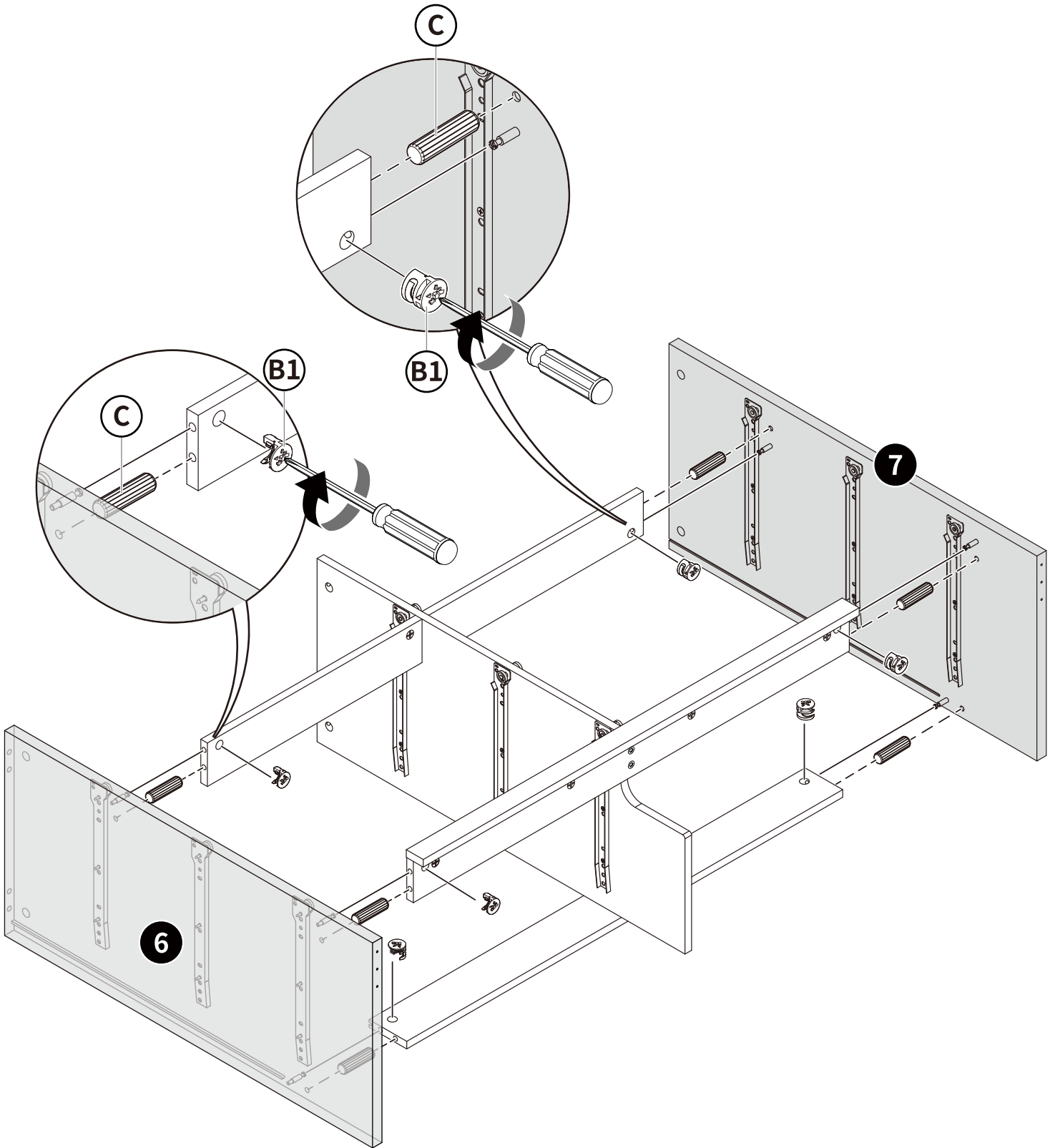
6



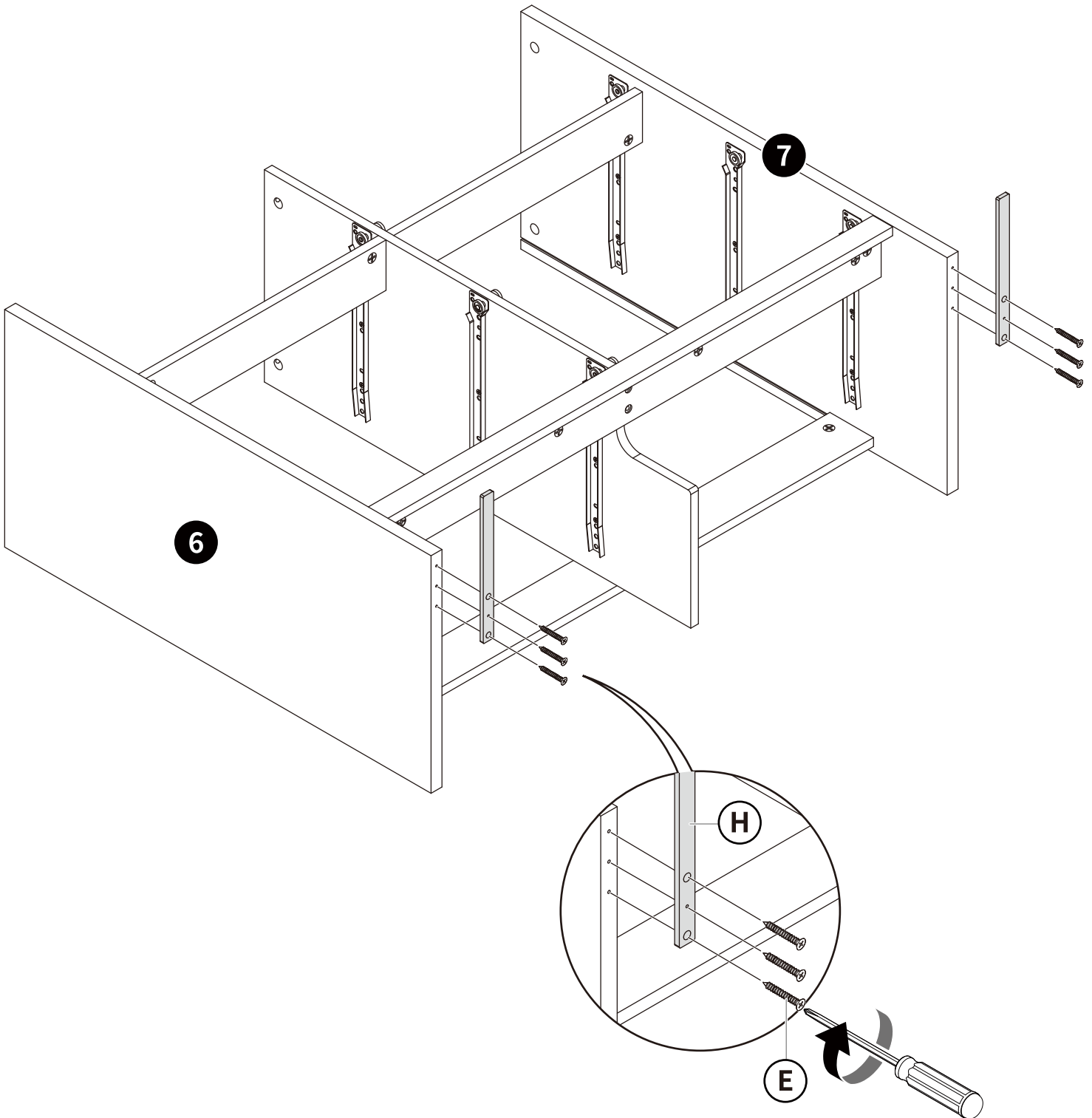
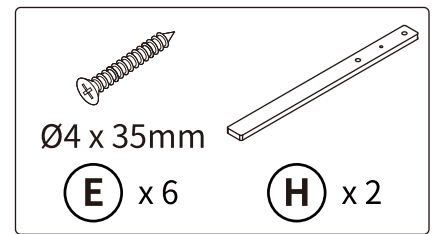
7



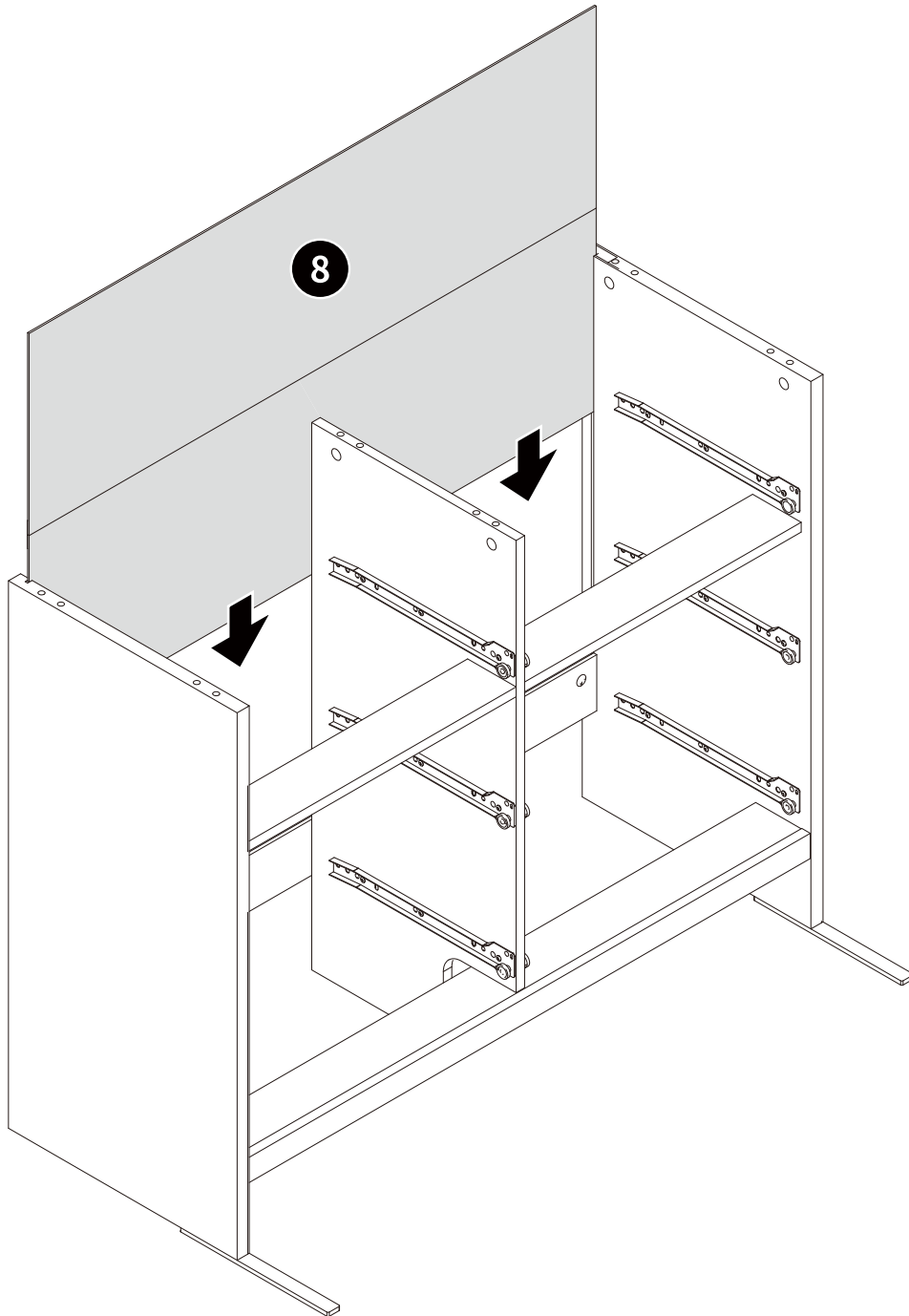
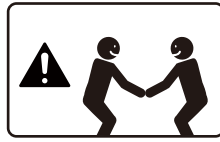
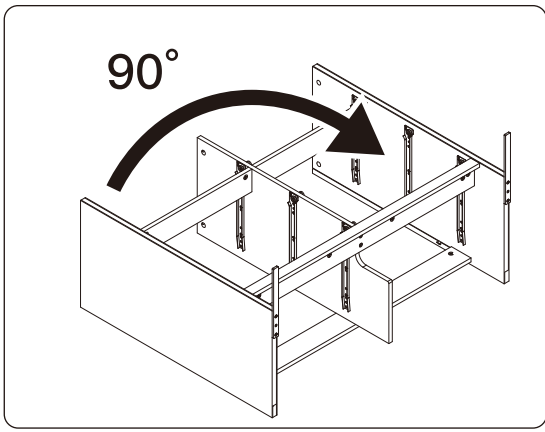
Ø15 x 11.5mm Ø8 x 30mm
(B1) x 6 **(C)** x 6



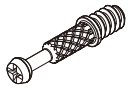
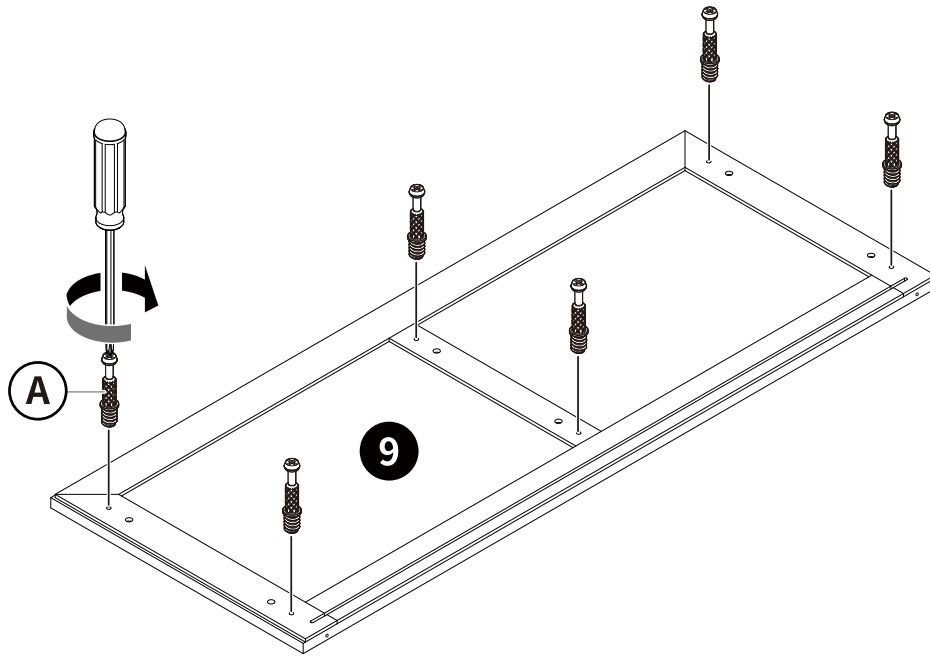
Optional: Install the tip-over restraint if you prefer.



8

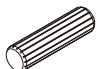

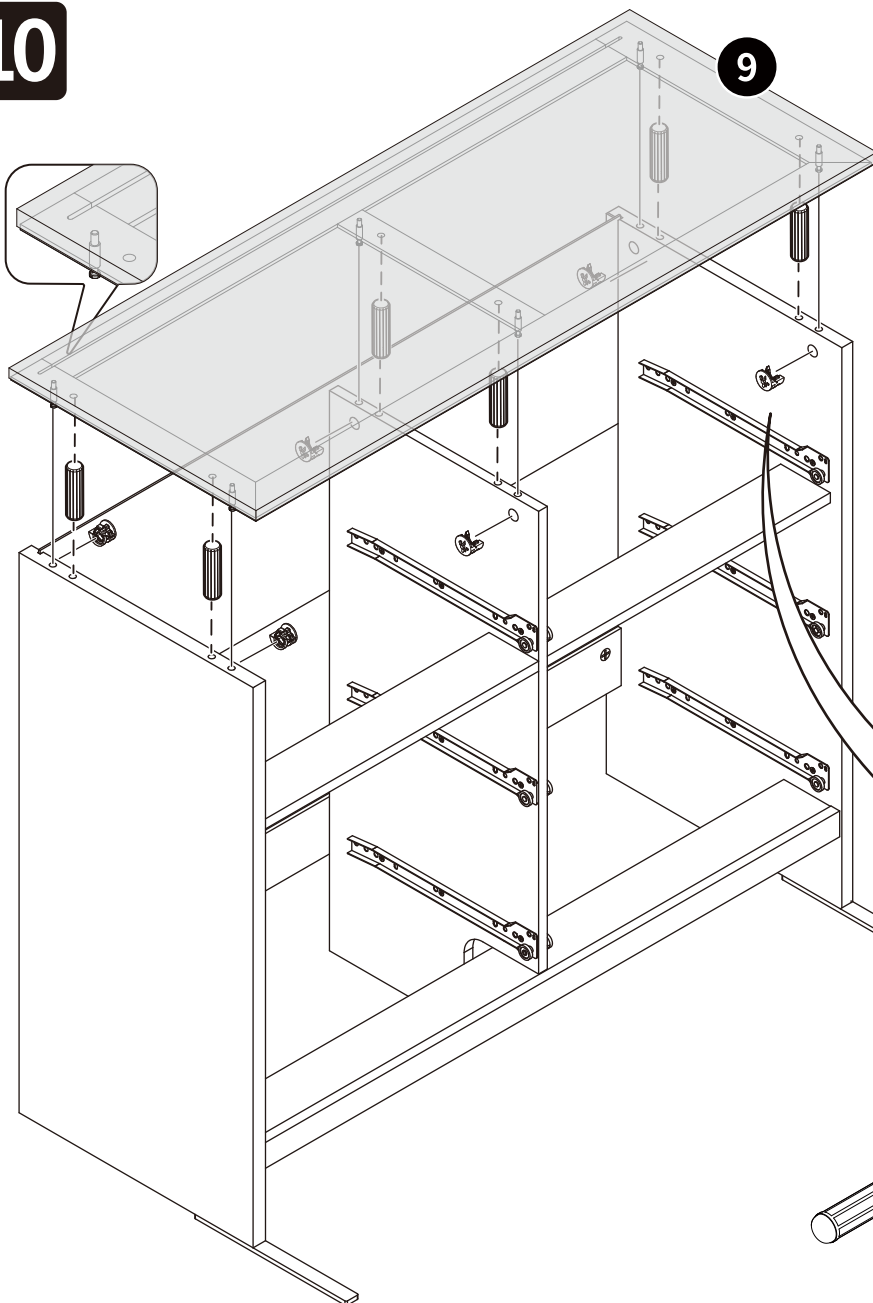


9

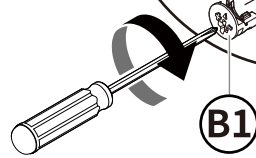
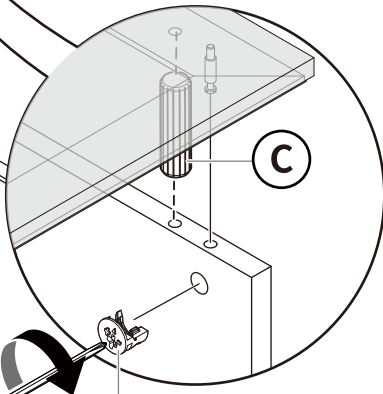
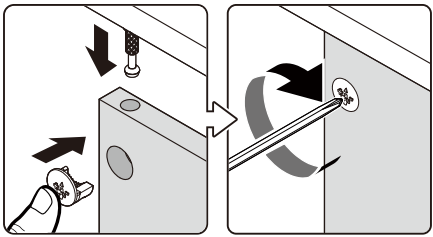


Ø6 x 34mm
A x 6

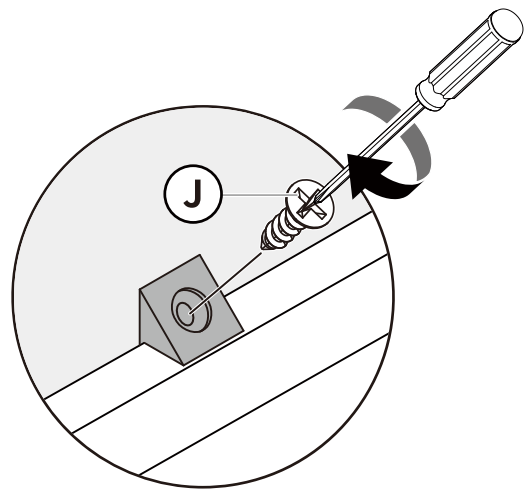
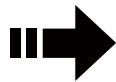
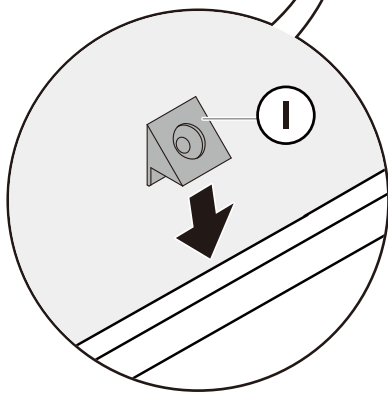
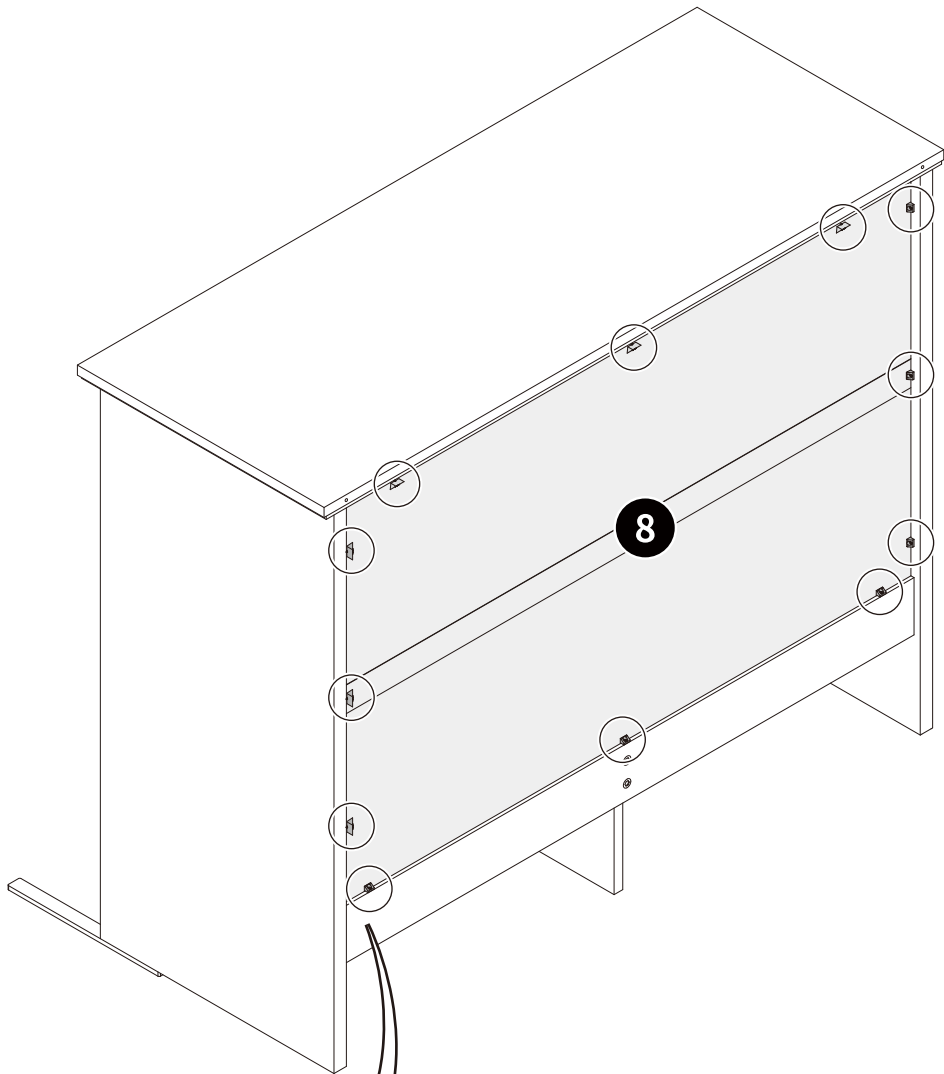
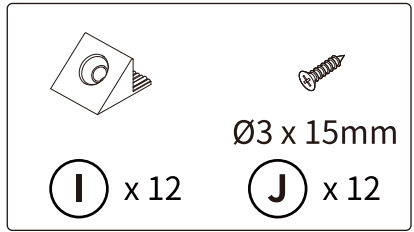
10



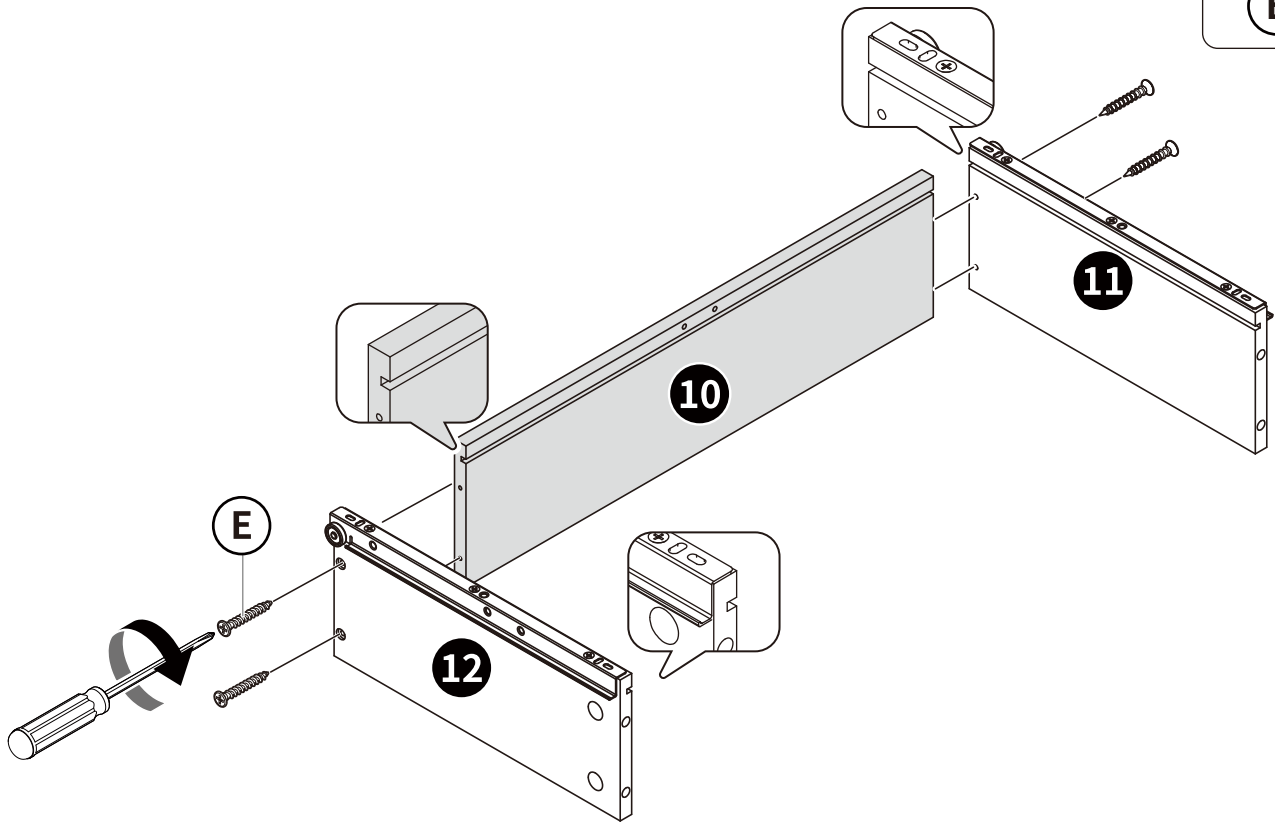
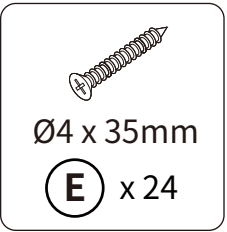
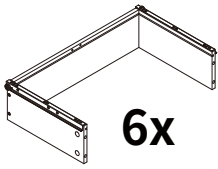
Ø15 x 11.5mm Ø8 x 30mm
B1 x 6 **C** x 6



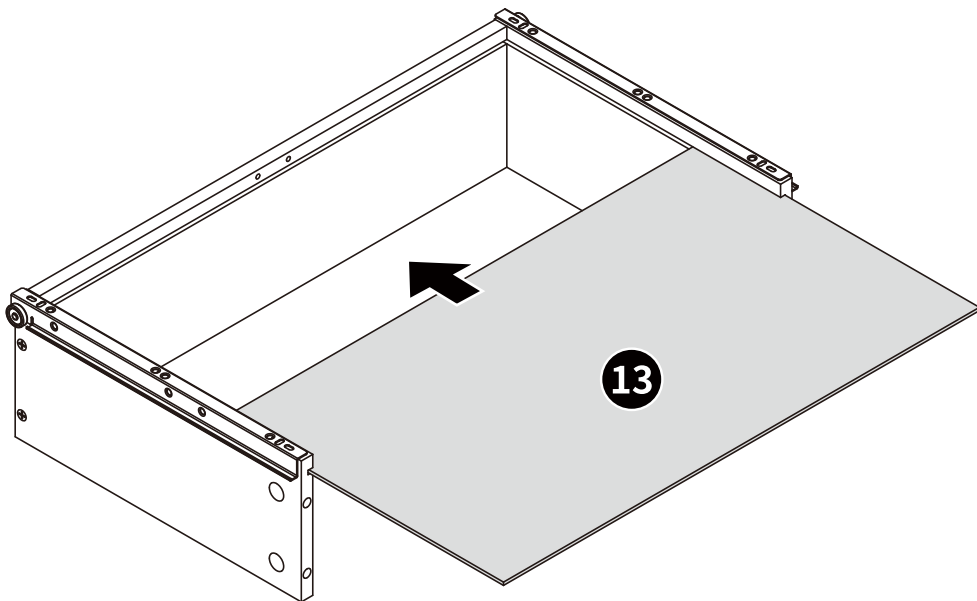
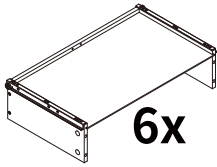
11



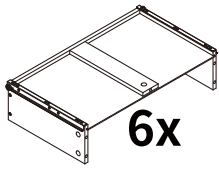
12



13



14

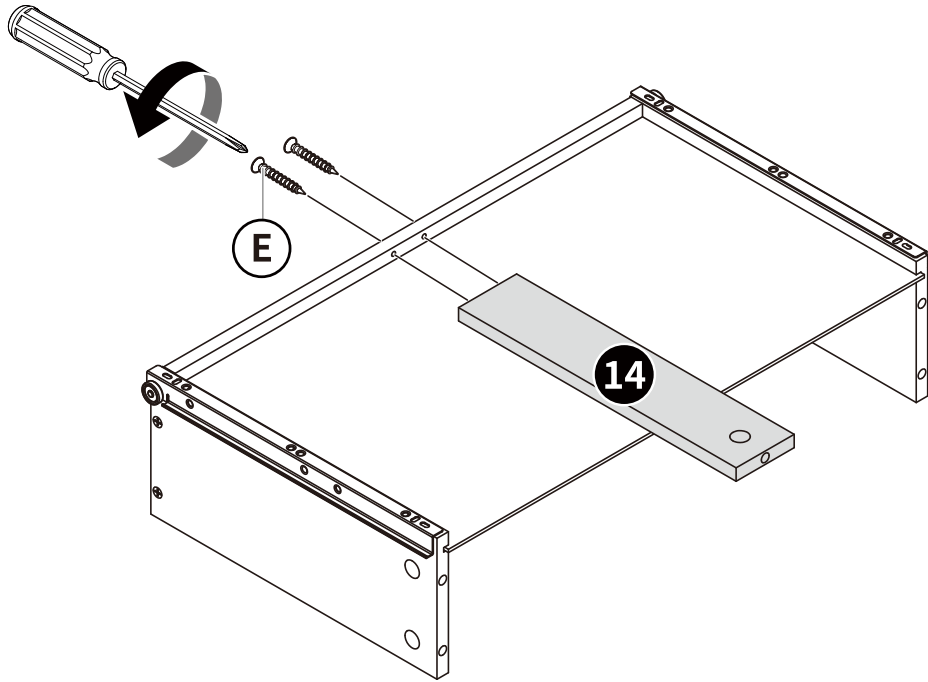


6x

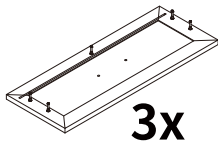


Ø4 x 35mm

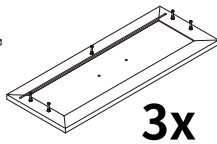
(E) x 12



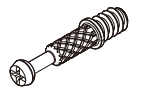
15



3x

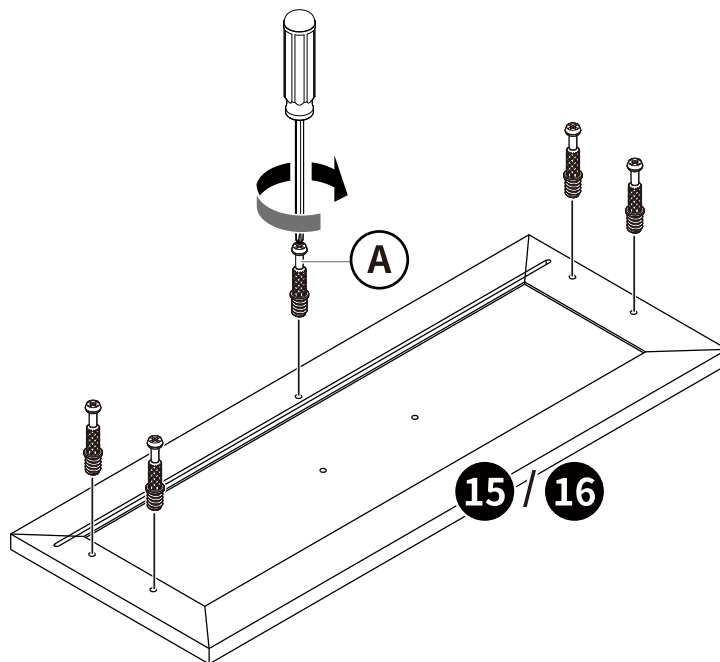


3x

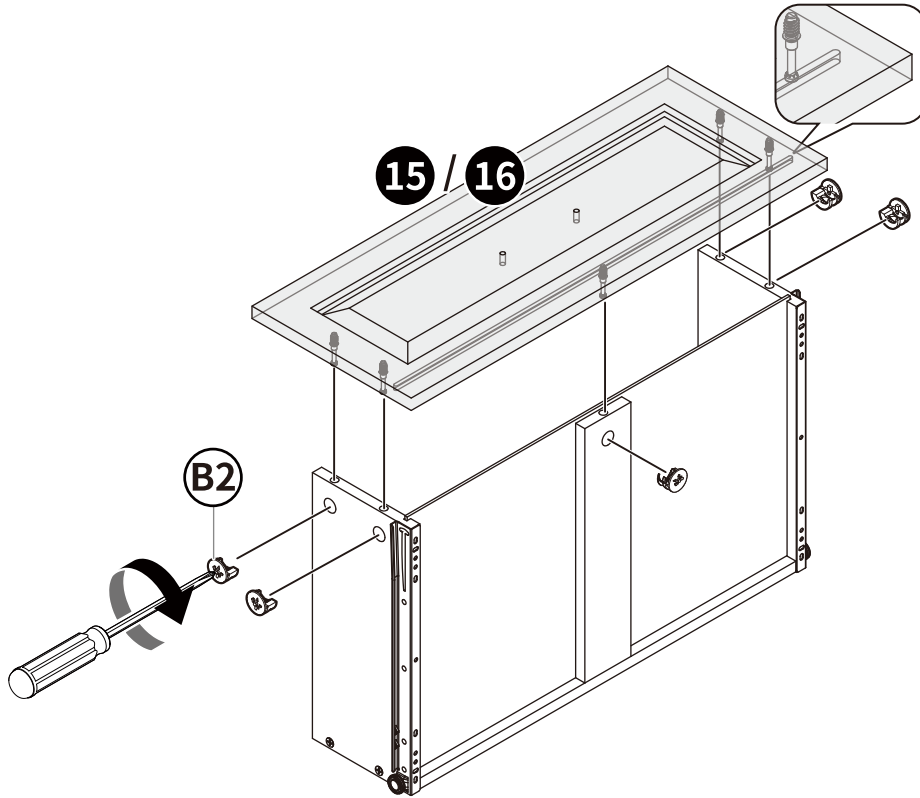
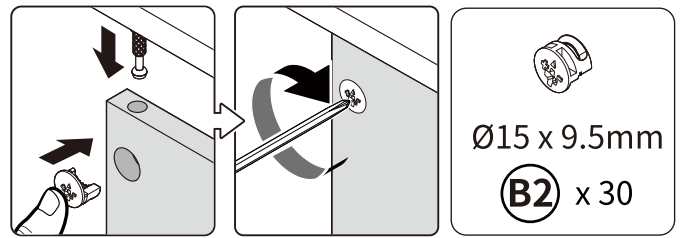
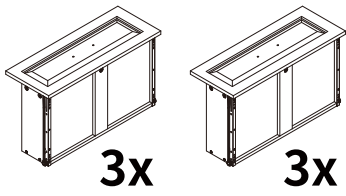


Ø6 x 34mm

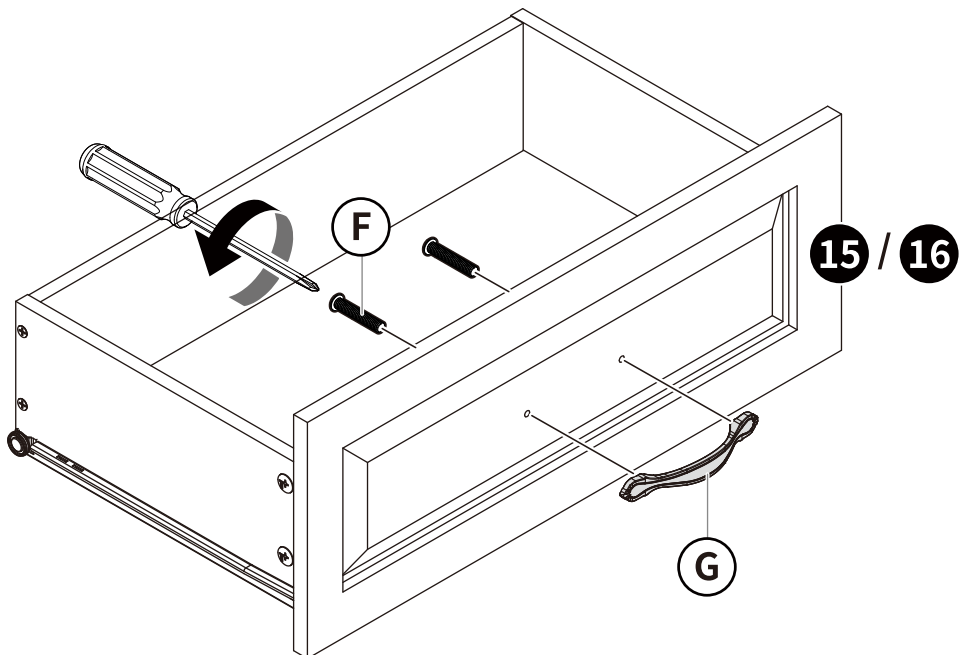
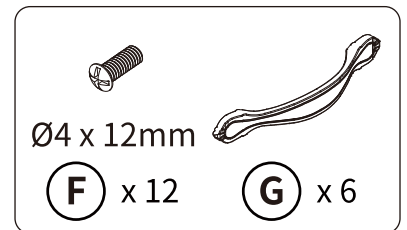
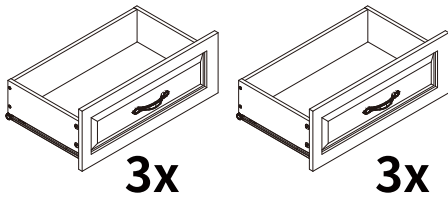
(A) x 30



16



17





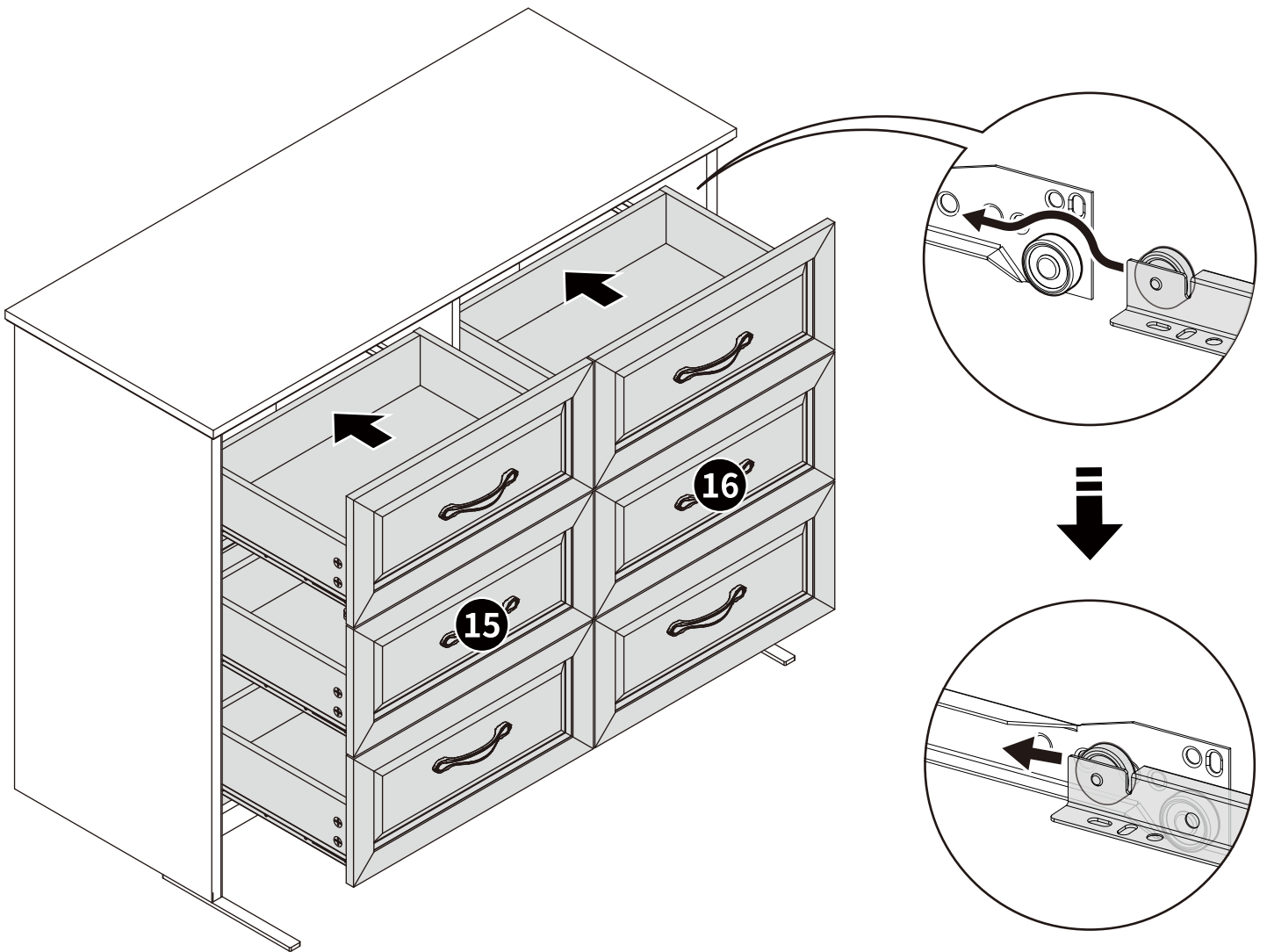
Note: The widths of the side lips on the drawer fronts vary, so place the drawers correctly.

Narrow Lip

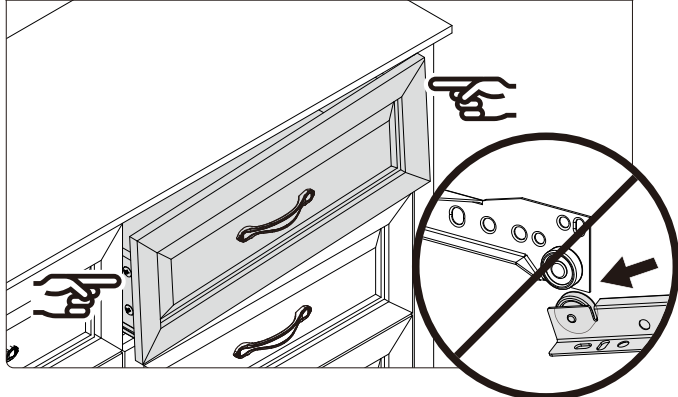
Wide Lips

Narrow Lip

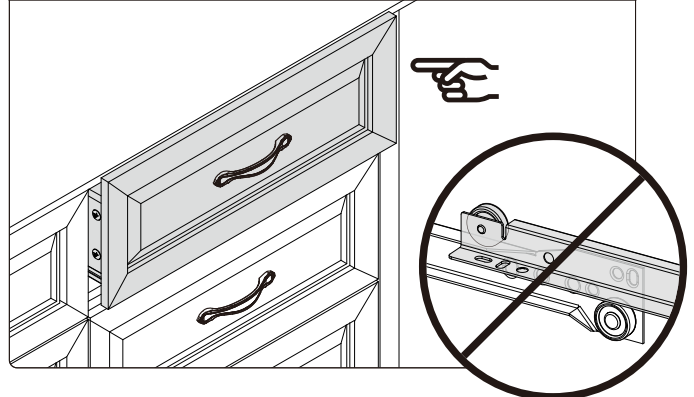




Drawer Silde Under Dresser Slide



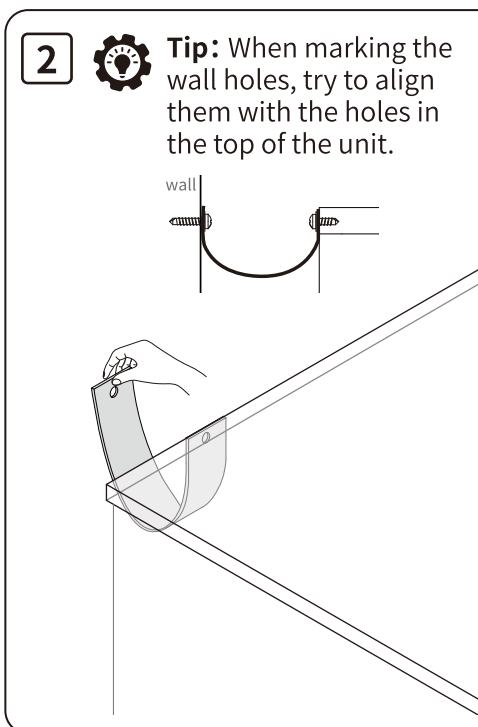
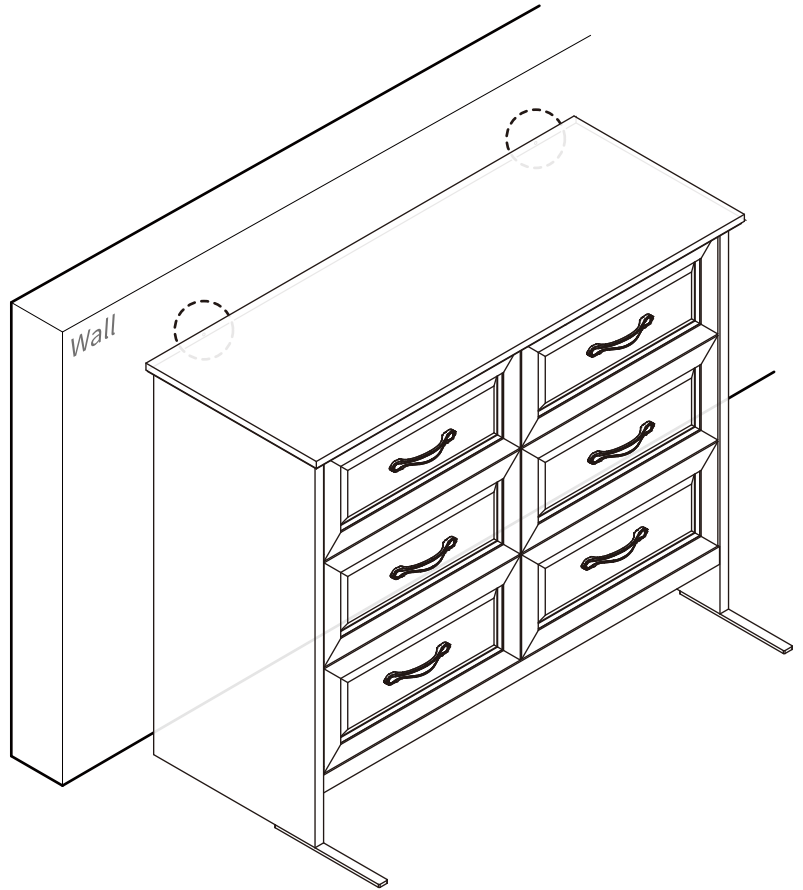
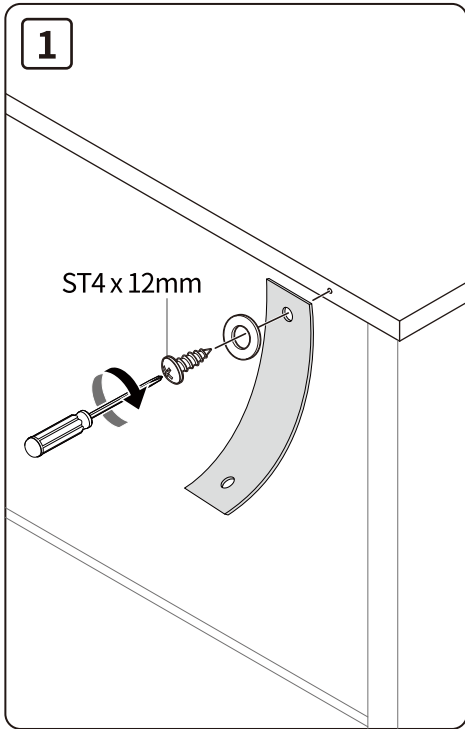
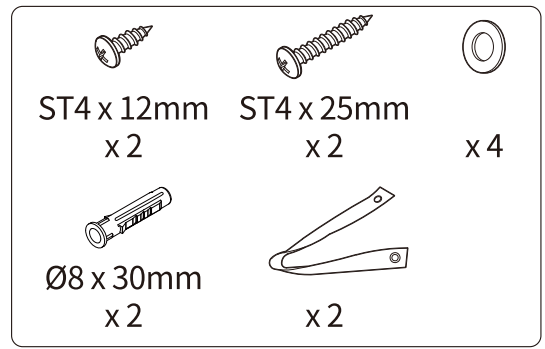
Drawer Slide Not Aligned



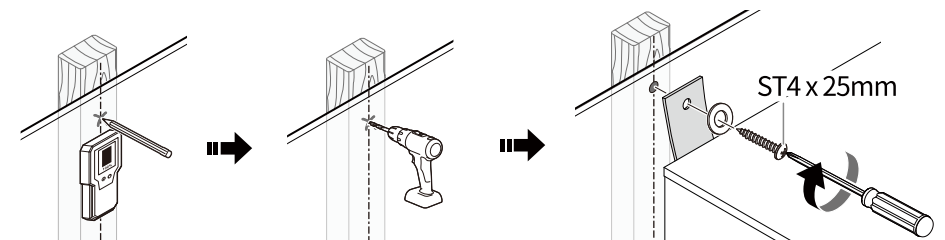
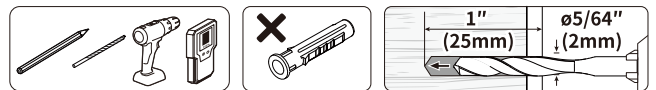
19

Installation Instructions:

1. Secure the straps to the top of the unit using short screws and washers.
2. Determine where the unit is to be placed. If you have a wood stud wall, locate a stud using a stud finder and mark the centerline.
3. Drill pilot holes in the wall at the appropriate height.
4. Secure the straps to the wall using long screws and washers. Use wall anchors for solid concrete. Do not use them on wood studs.



A. Wood Studs



B. Solid Concrete

