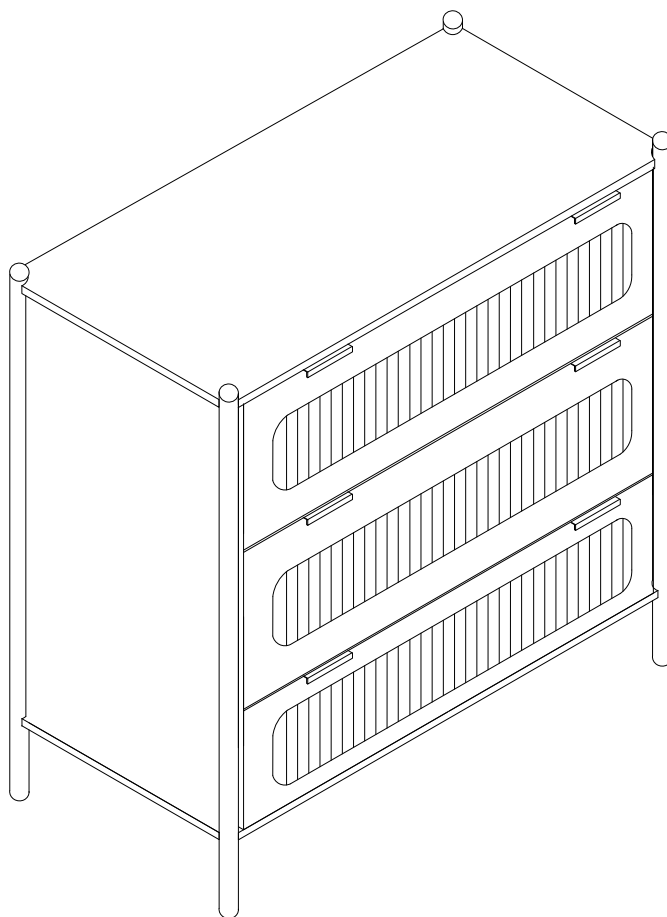


Installation Instruction



Product name

3 Drawer Cabinet

Ver.1.0 20220512

Assembling

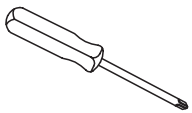
Estimated time for assembly



40:00

What you need

- Use the packaging carton as a working surface to prevent product damage during assembly
- Phillips head screwdriver



Weight Limitation



44 |
lbs table top

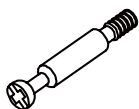
11
lbs per drawer

What's included

Code	Description	Qty
A	Cam Bolt M6X35MM	20
B	Cam Lock M15X9MM	20
C	Handle	6
D	Screw M3.5x12MM	12
E	Slider Set	3
F	Wooden Dowel M6x30MM	10
G	Screw M4x30MM	21
H	Strip	2
I	Screw M4X14MM	2
J	Screw M4x40MM	3
K	Plastic Corner Support	8
L	Screw M3x14MM	8
M	Anchor	2
N	Screw M4x35MM	2
O	Screw M3.5x12MM	36
P	Pads	4

The Hardwares

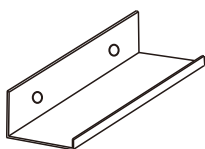
A



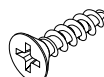
B



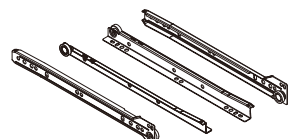
C



D

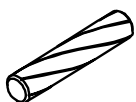


E

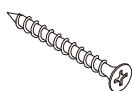


CL DL DR CR

F



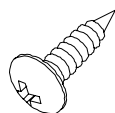
G



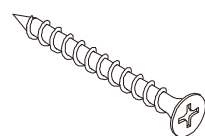
H



I



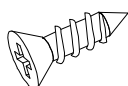
J



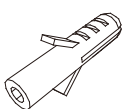
K



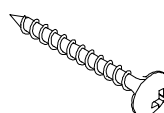
L



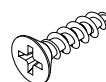
M



N



O



P



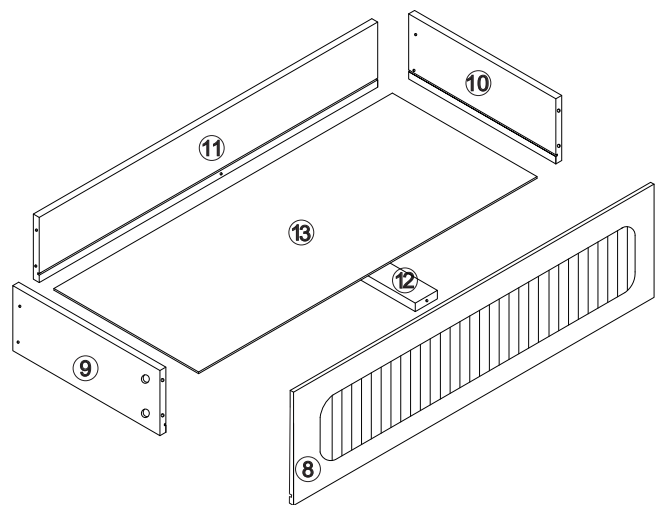
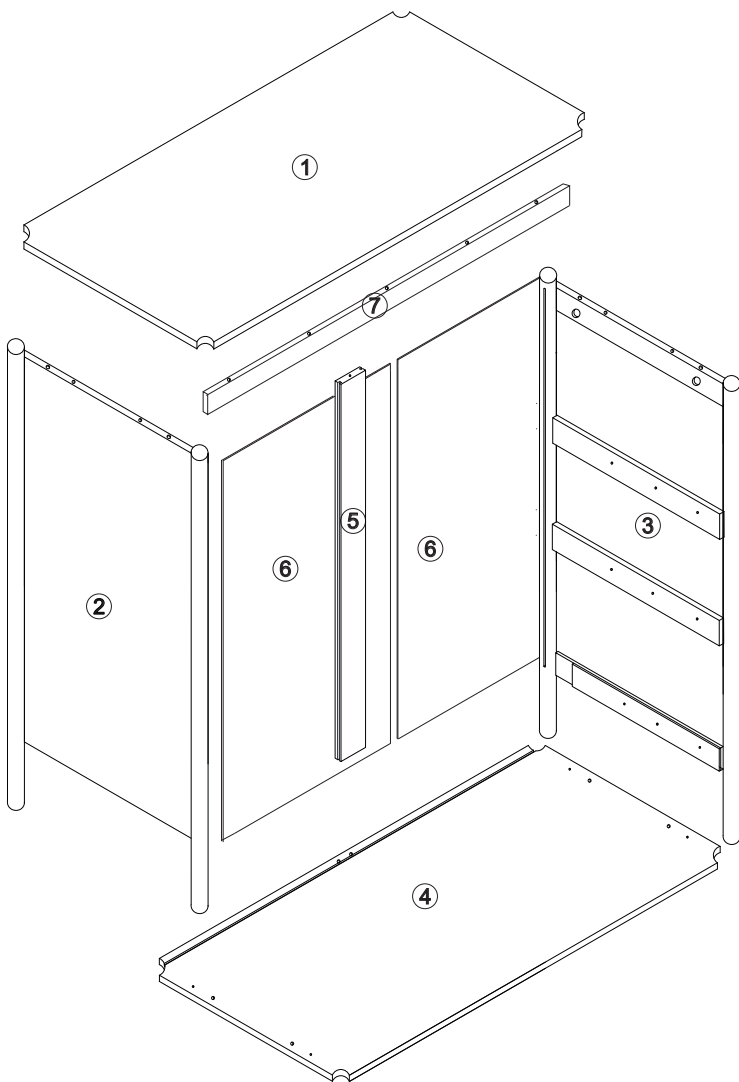
IMPORTANT:

1. Do not tighten bolts / screws completely until all bolts / screws are lined up and inserted into holes.
2. Do not over tighten screws and bolts to avoid stripping.
3. Please use hand tools to assemble this product. Do not use power tools.

Included Accessories

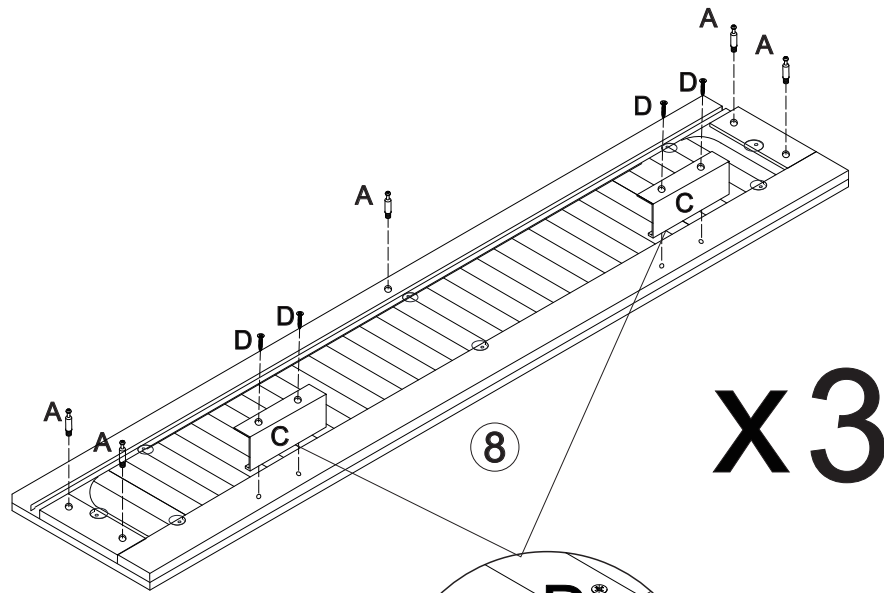
Code	Description	Qty
1	Cabinet Top	1
2	Left Side Panel	1
3	Right Side Panel	1
4	Bottom Panel	1
5	Rear Stretcher	1
6	Back Panel	2
7	Top Stretcher	1
8	Drawer Front	3
9	Drawer Left Side Panel	3
10	Drawer Right Side Panel	3
11	Drawer Back Panel	3
12	Drawer Bottom Stretcher	3
13	Drawer Bottom Panel	3

The Accessoriess

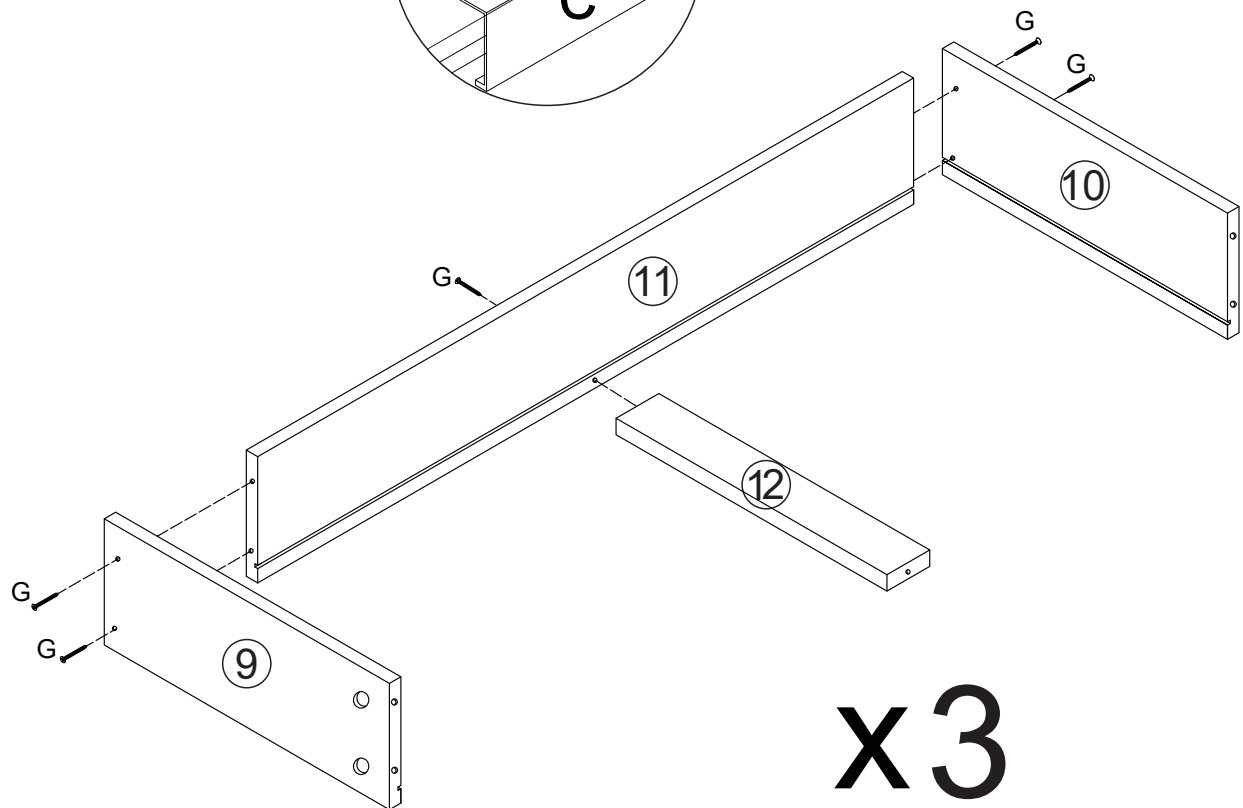
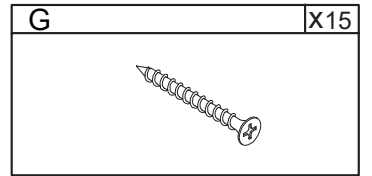
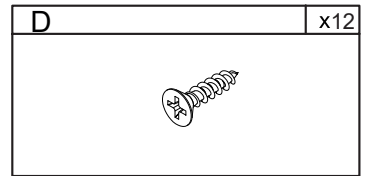
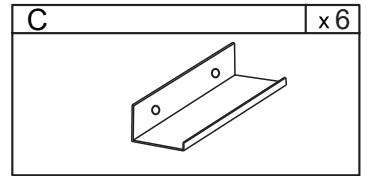
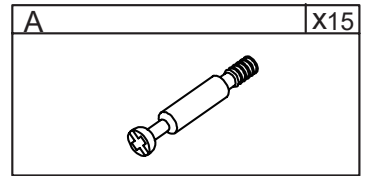


x3

Step 1

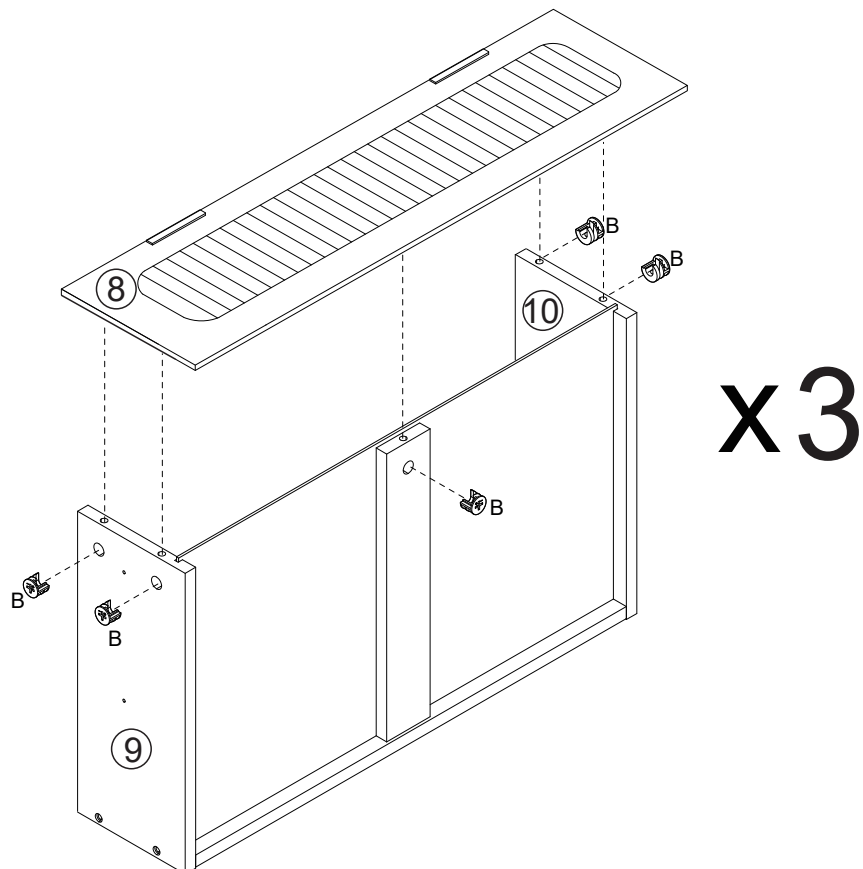
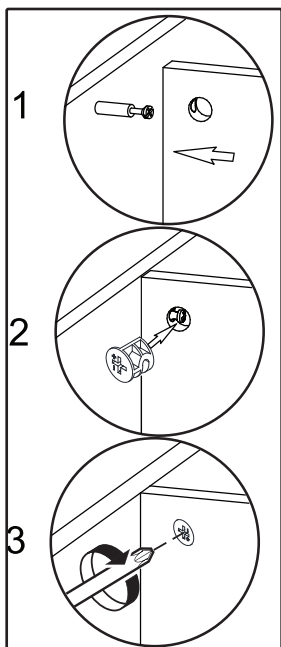
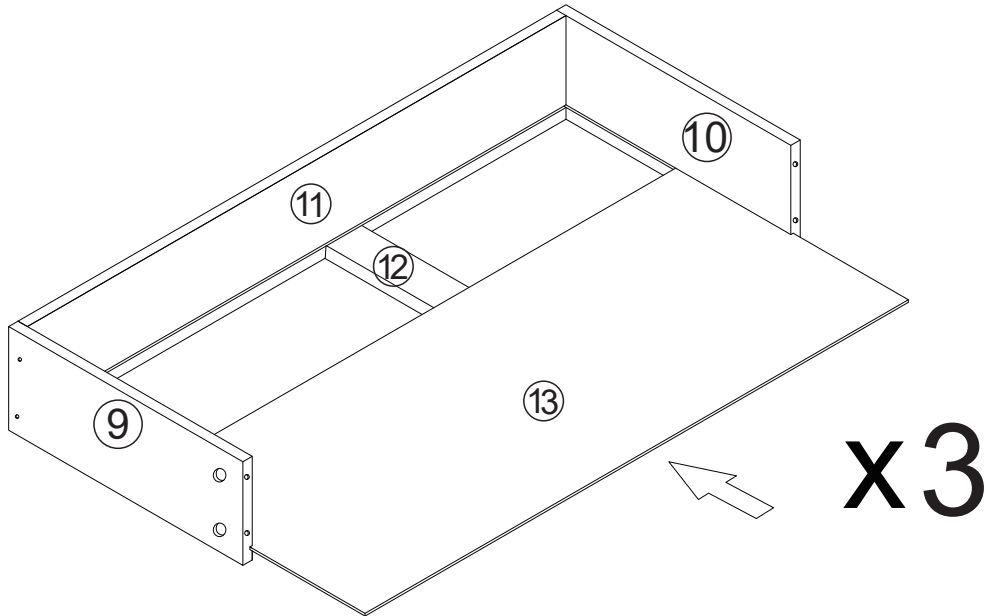
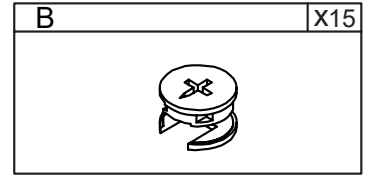


x3

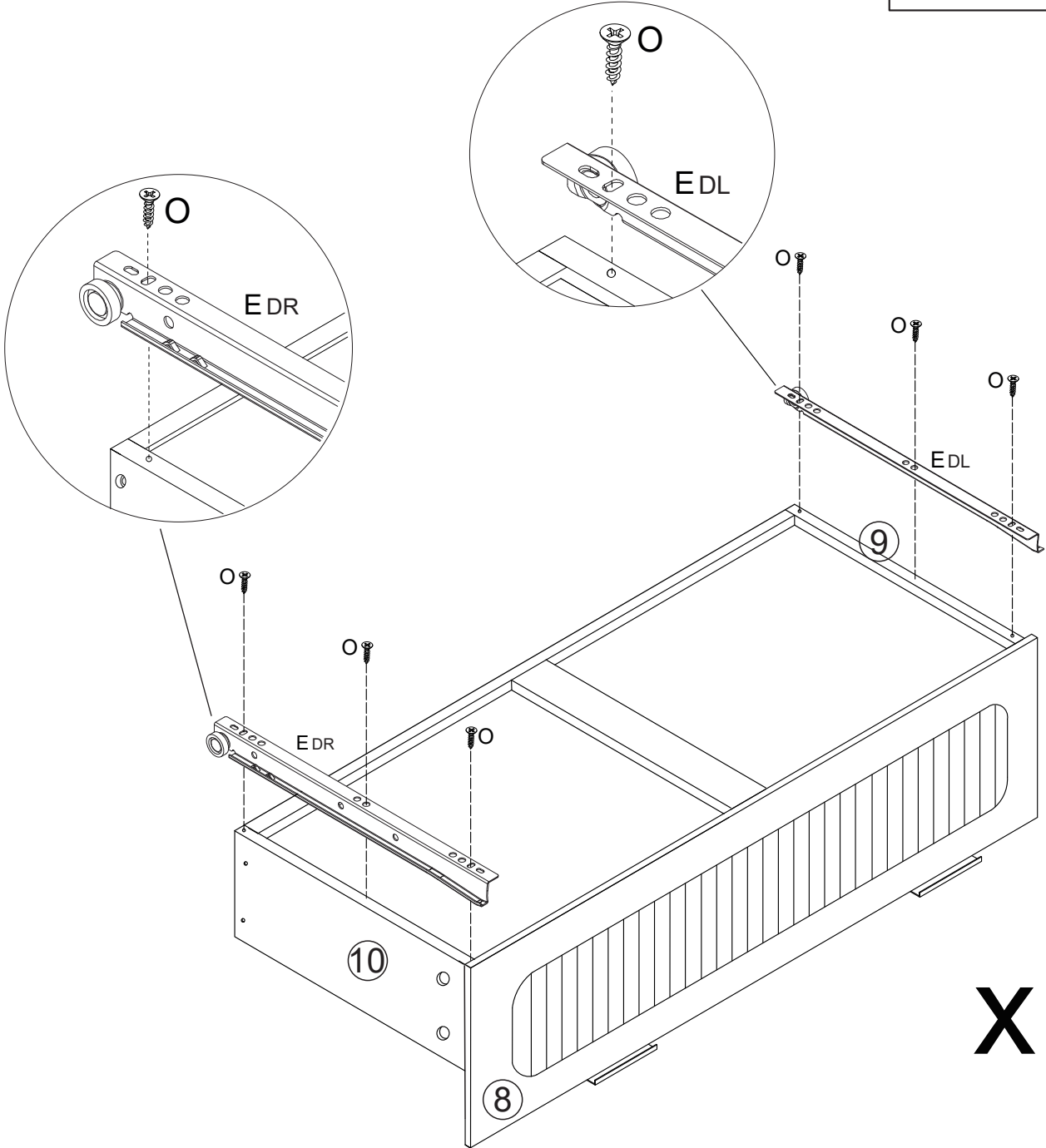
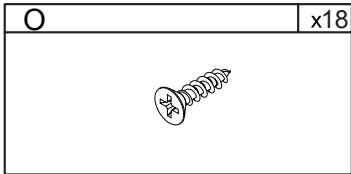
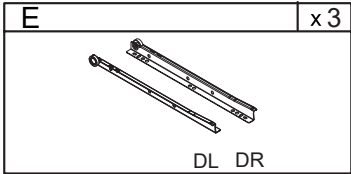


x3

Step 2

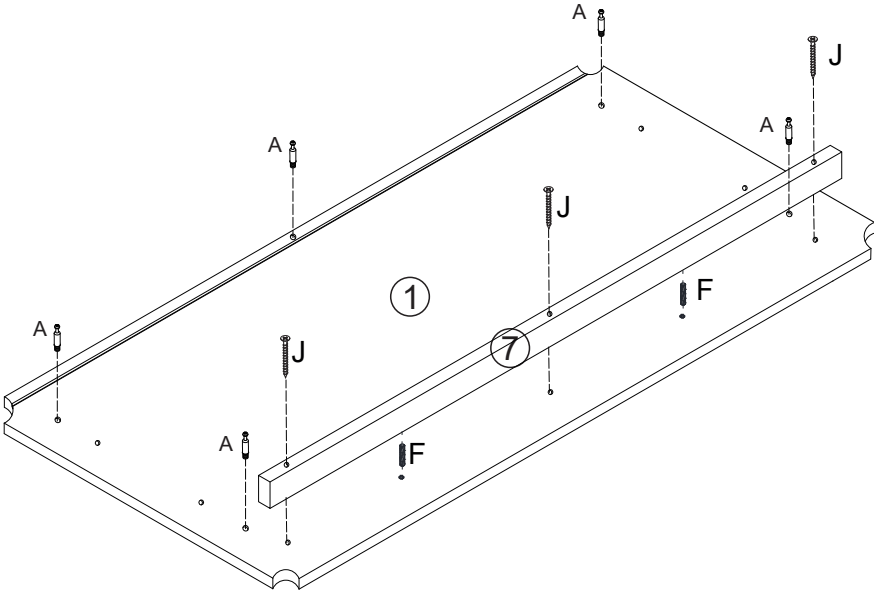
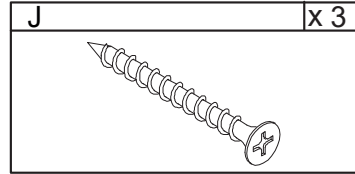
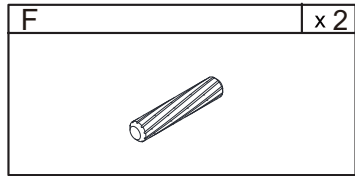
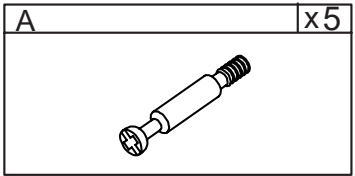


Step 3

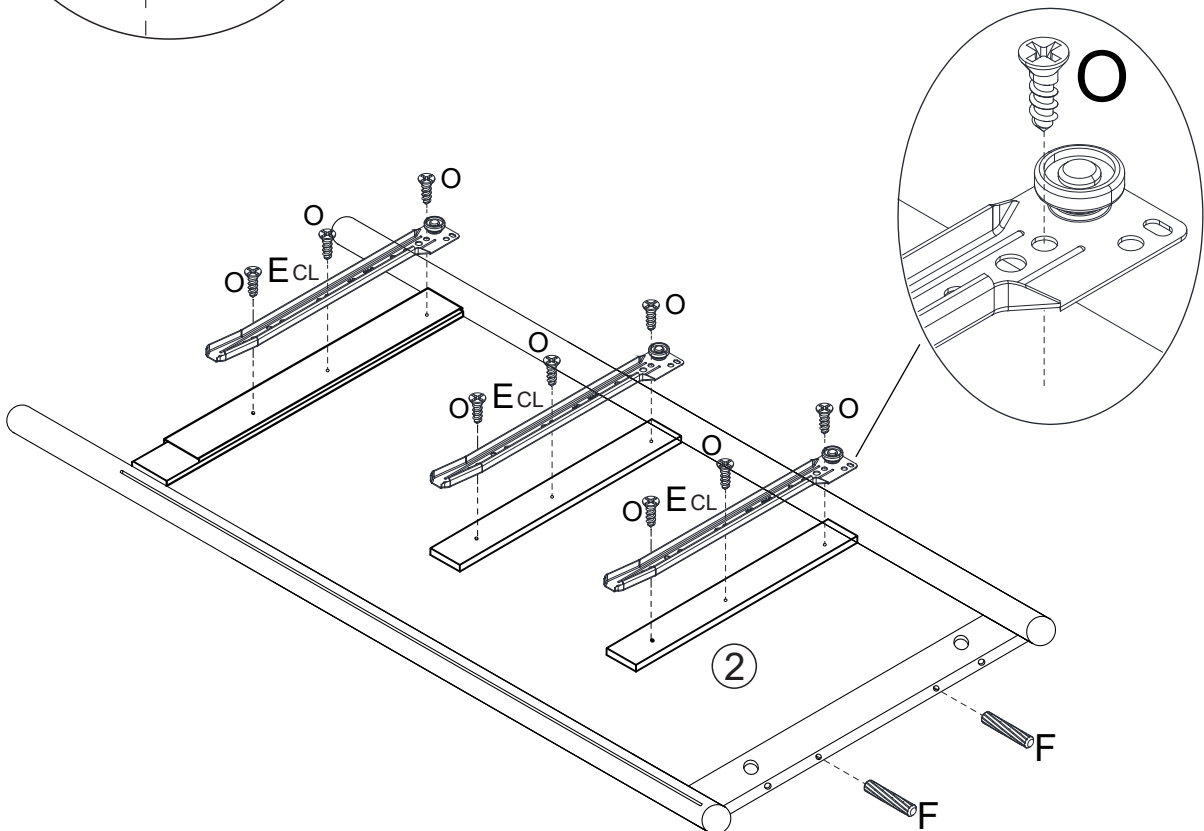
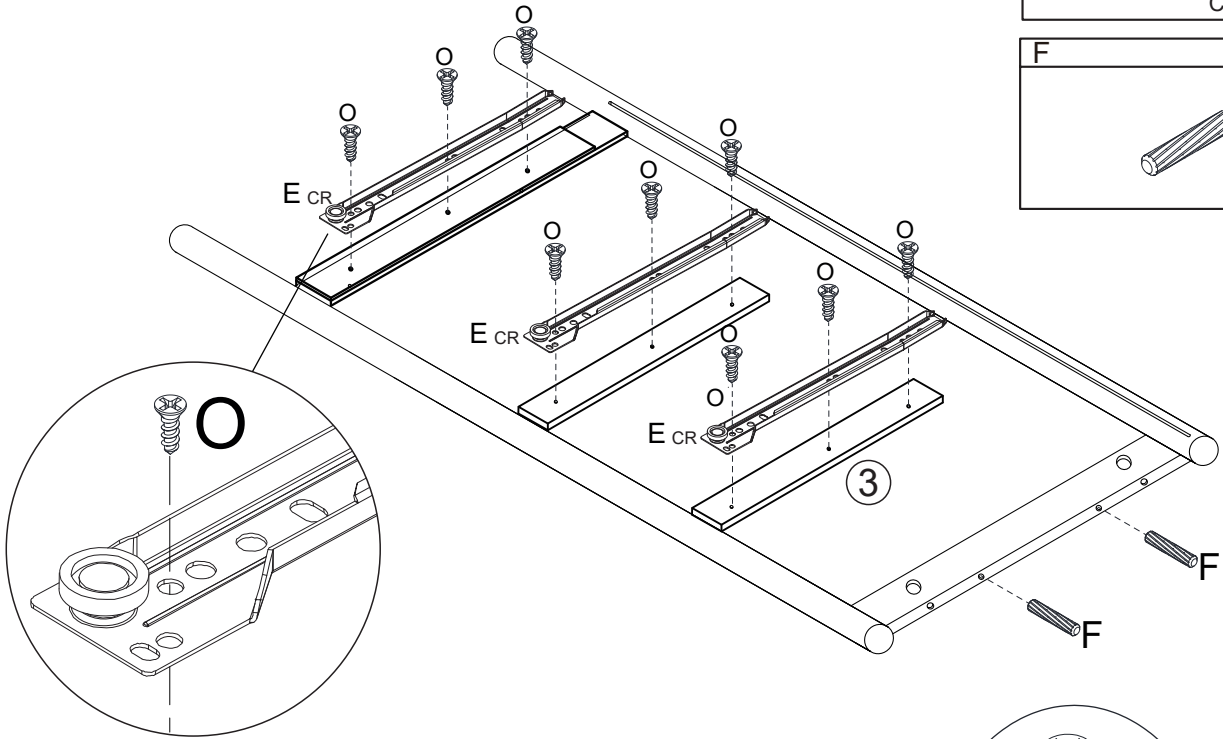
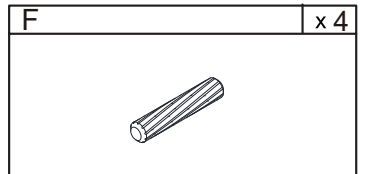
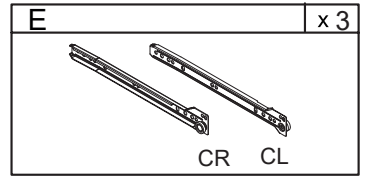
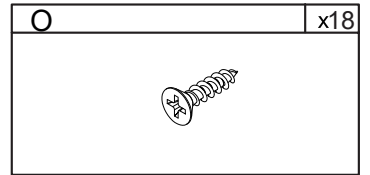


x3

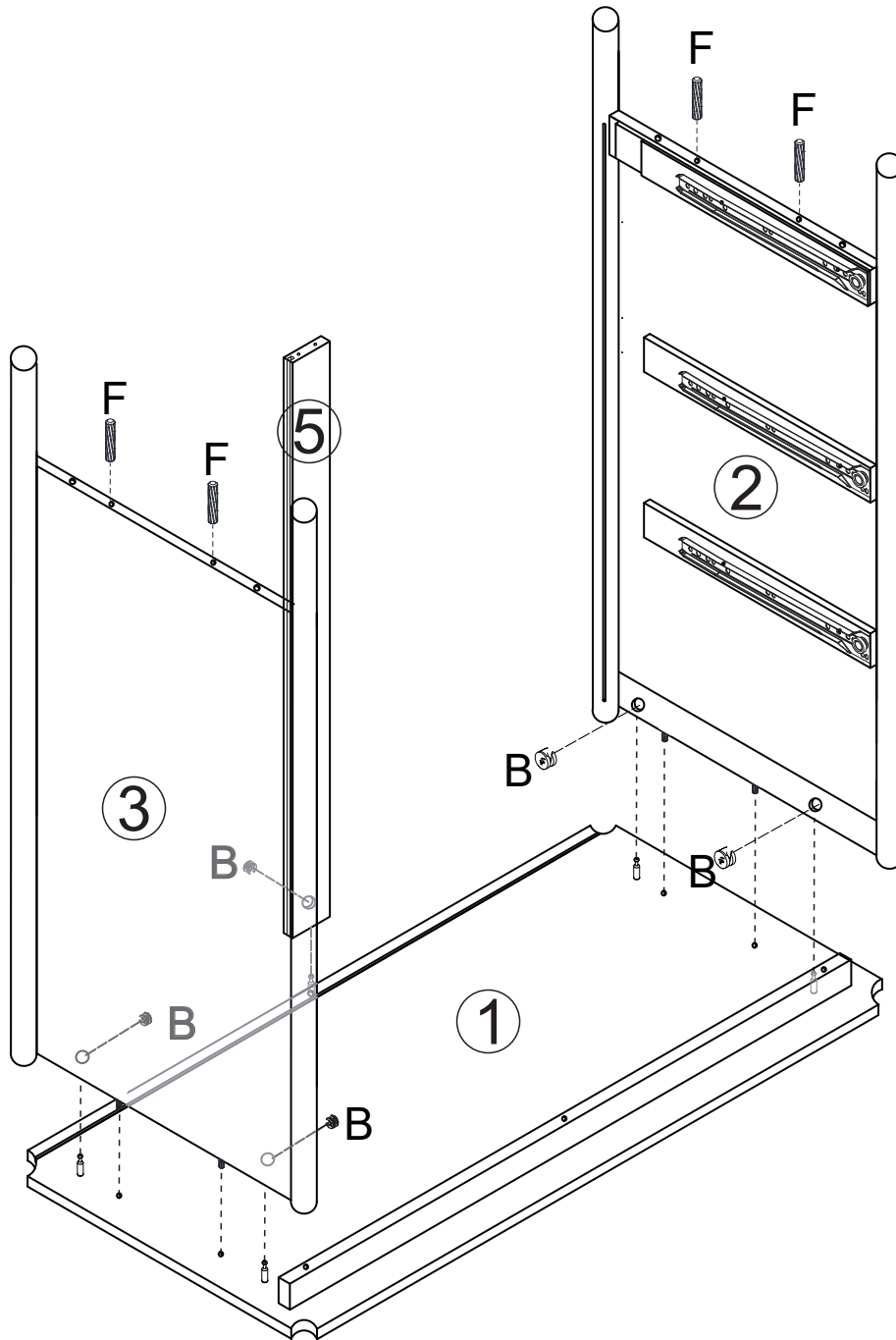
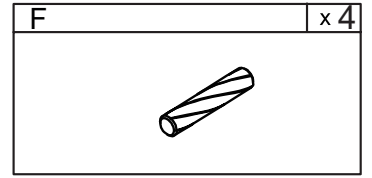
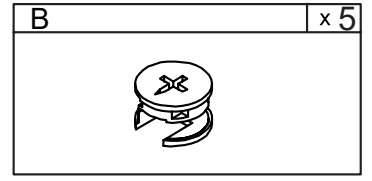
Step 4



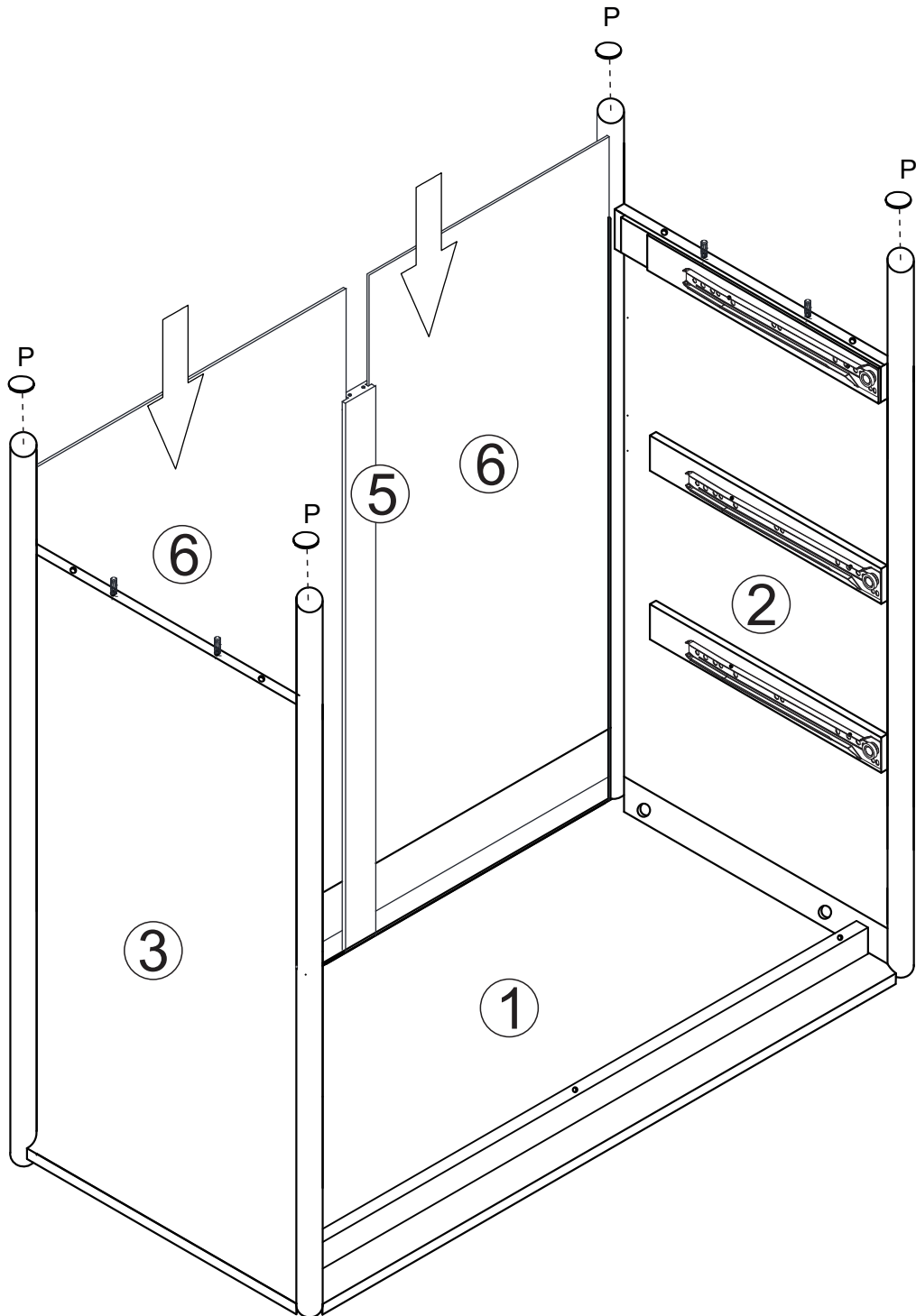
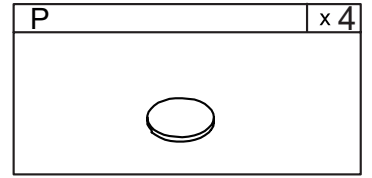
Step 5



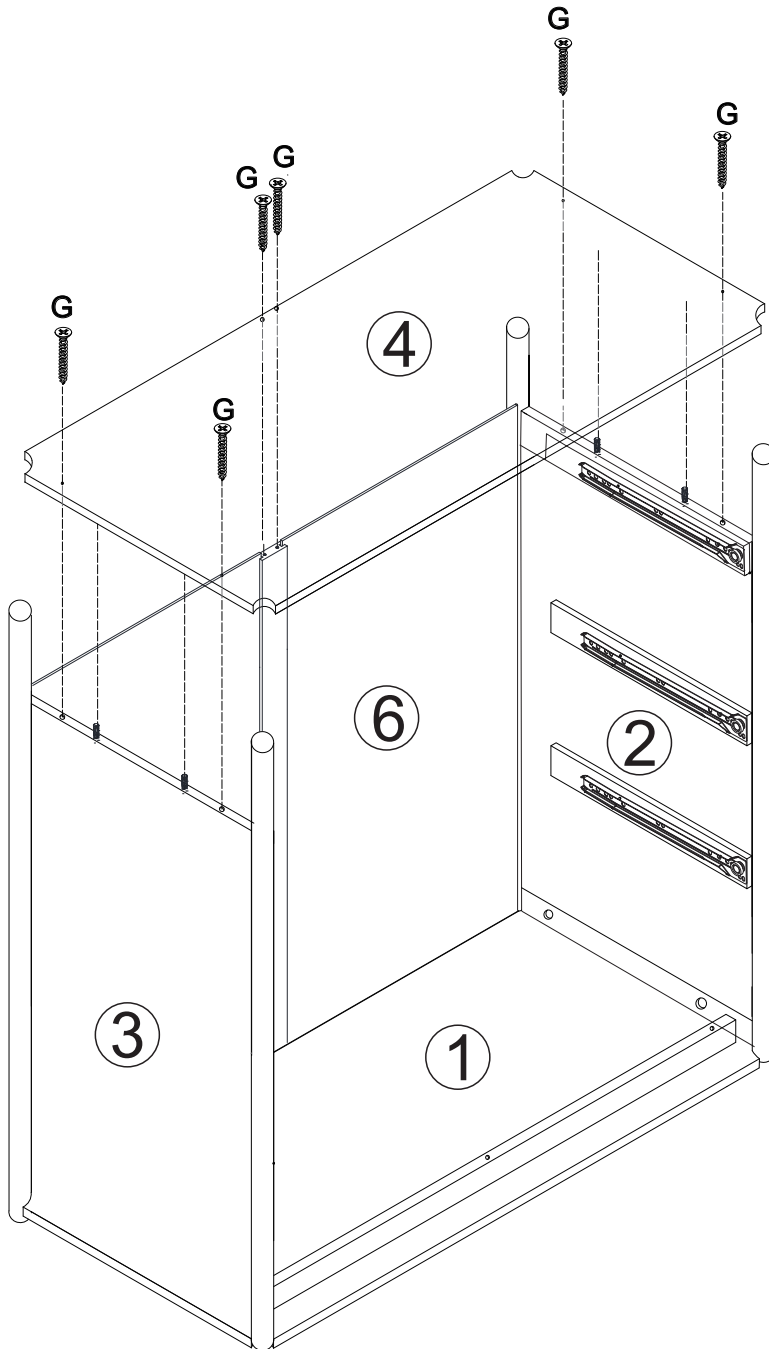
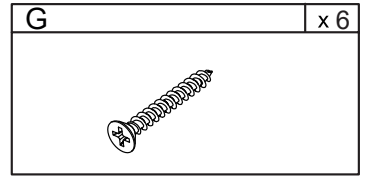
Step 6



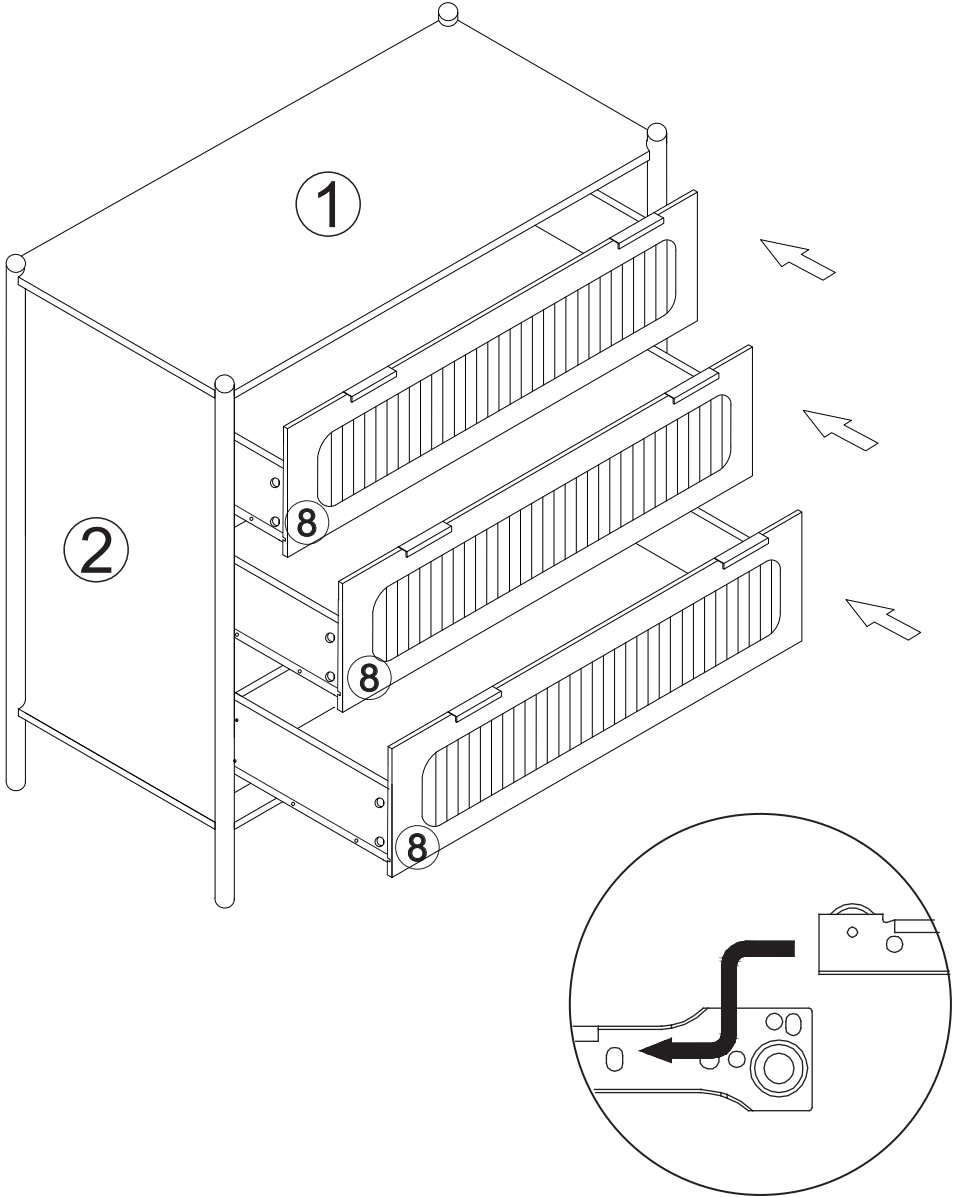
Step 7




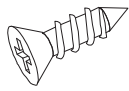

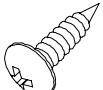
Step 8

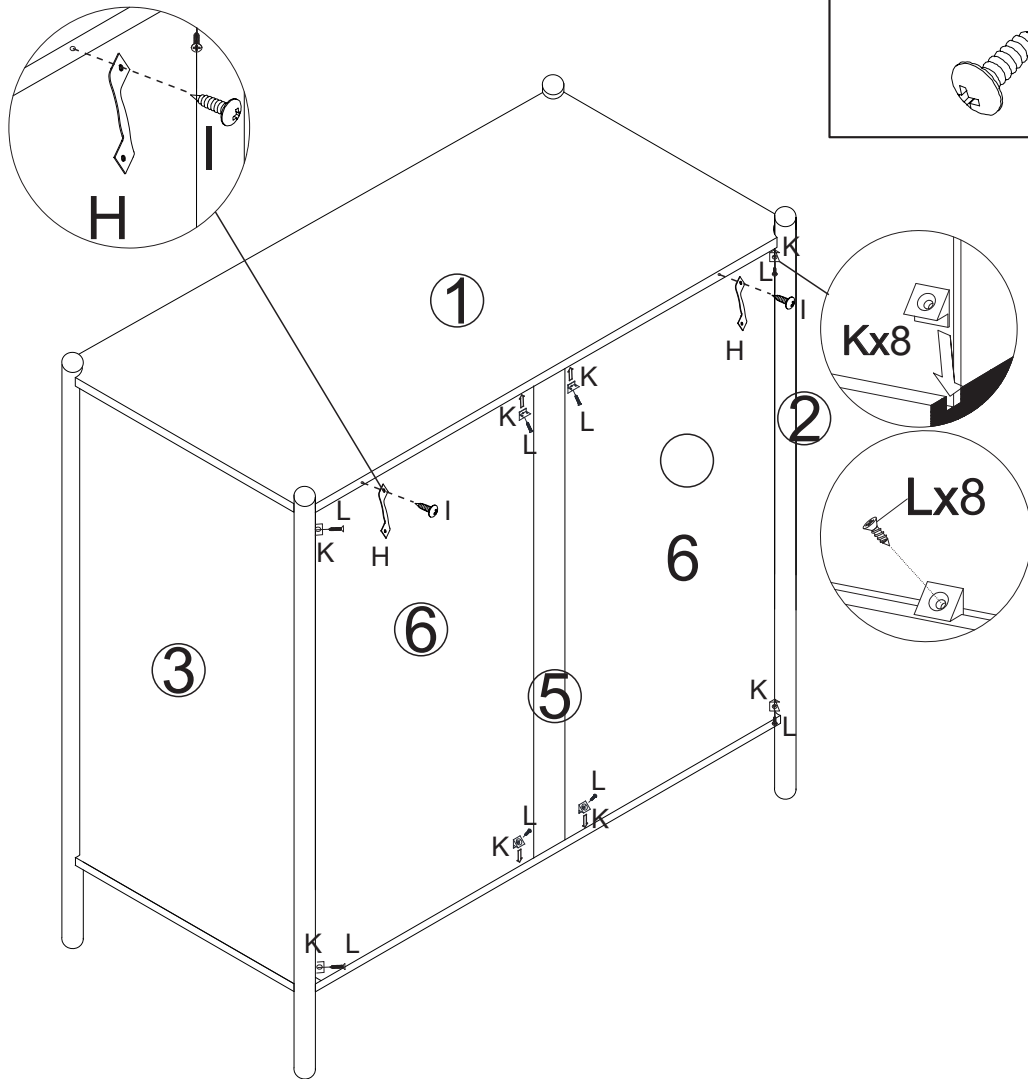


Step 9

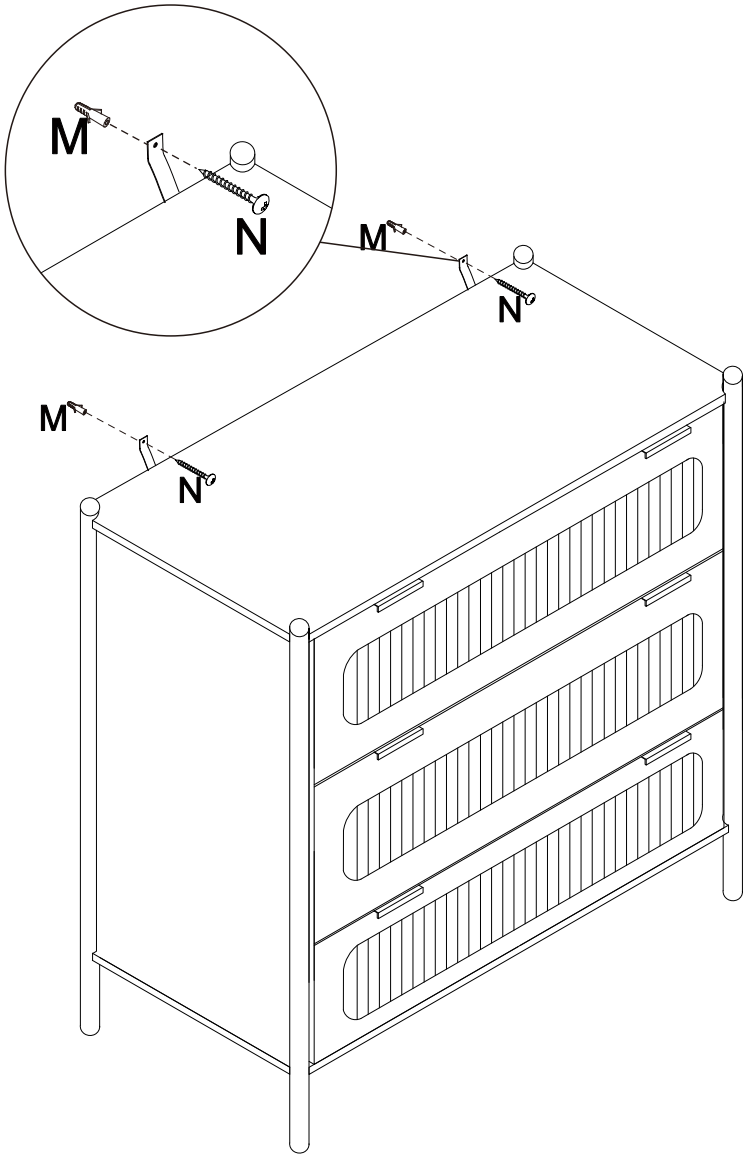
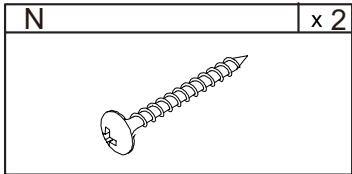
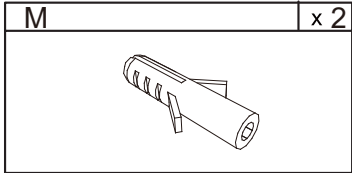


Step 10

K	x 8
	
L	x 8
	
H	x 2
	
I	x 2
	



Step 11



Proper Use

- DO NOT use for commercial purposes
- DO NOT use as a step stool or stand on table
- DO NOT put hot serving liquid directly on the table top
- DO NOT leave spilled liquid on the table top
- DO NOT use table if damaged
- DO NOT exceed weight limit
- DO NOT make temporary repairs
- DO NOT use outdoor