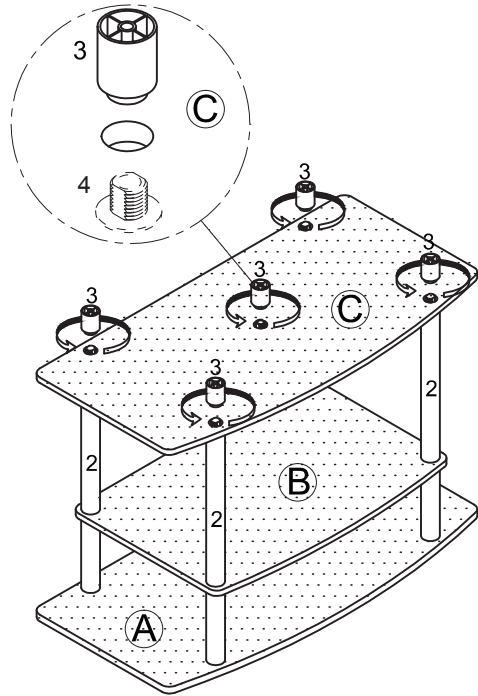
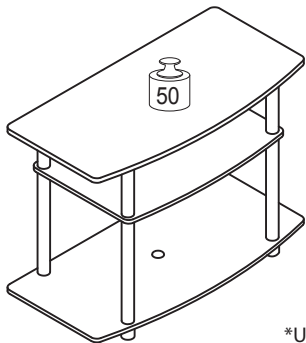


STEP 2

- 2.1 Tighten Pole (2) with Mini Round Leg (3).
- 2.2 Tighten Mini Round Leg (3) with Top Cap (4) onto the Center Pole, as shown.



Recommended Maximum Weight



*Unit in Pound(lbs)

WARNING:

>This unit has been designed to support the maximum loads shown. Exceeding these load limits could cause sagging, instability, product collapse, and/or serious injury.

>DO NOT allow children to climb on unit.

>Put heavier items on lower shelves.

Assembly Instruction

Turn-N-Tube No Tools
3-Tier TV Stands

00:10

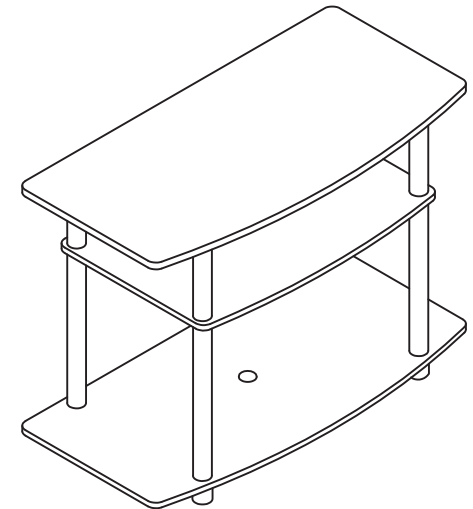
Approx. 10 minutes

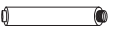








Recomm. 1 Person

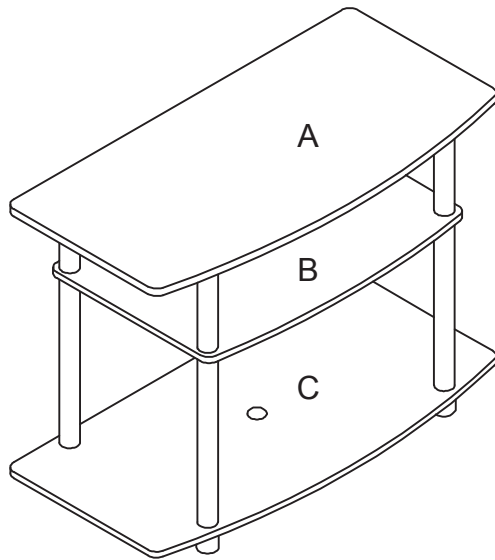


No Tools Required



No	Hardware List	Qty
1	Short Pole 	4pcs
2	Long Pole 	4pcs
3	Round Leg 	5pcs
4	Top Cap 	1pc

No	Parts List	Qty
A	Top Panel 	1pc
B	Shelf Panel 	1pc
C	Bottom Panel 	1pc



USEFUL HINTS BEFORE YOU START:

1. Read each step carefully before starting.
2. It is important that each step is performed in correct order to avoid difficulties.
3. Identify, sort and count the parts before assembly.
4. Assemble your furniture on packaging cardboard to prevent scratch or damage.
5. Clean the product with mild cleanser using soft damped cloth. Do not use harsh or abrasive cleanser.
6. Using incompatible hardware might cause damage to product.

STEP 1

- 1.1 Tighten Short Pole (1) to Top Panel (A).
- 1.2 Attach Shelf Panel (B) and tighten Long Pole (2).
- 1.3 Attach Bottom Panel (C) as shown.

