

# 4' x 4' Planter Bed



## Assembly Instruction Manual

Please read instructions thoroughly before beginning assembly.

Check boxes carefully for contents listed. Some parts are packaged inside of others.

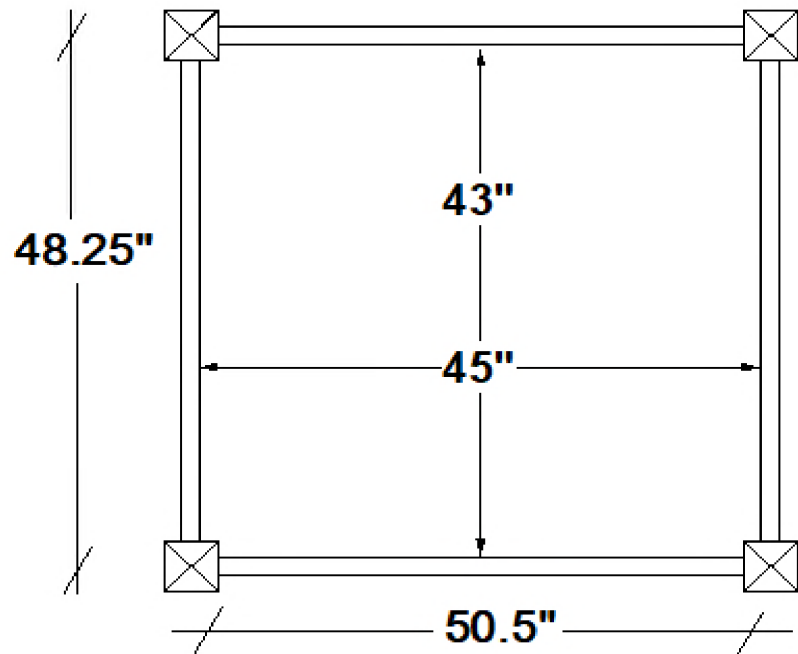
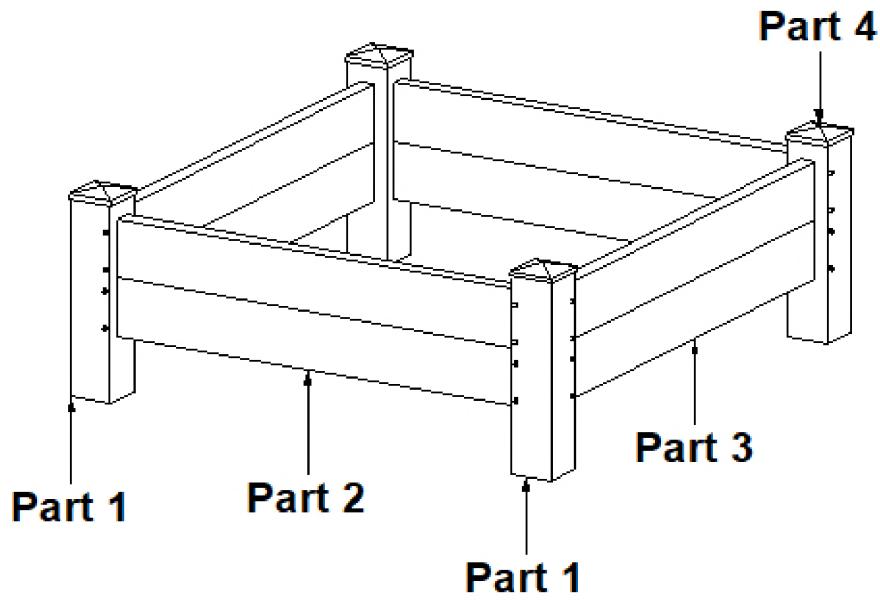
Assemble on a clean, flat, non-abrasive surface to prevent scratching.

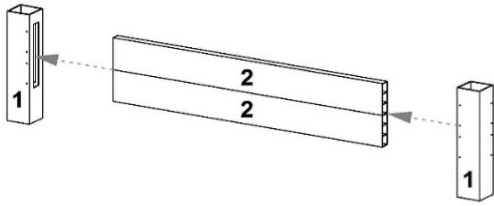
In the event of missing or damaged parts please call or email our customer service department at the contact info below.

### Tools Required

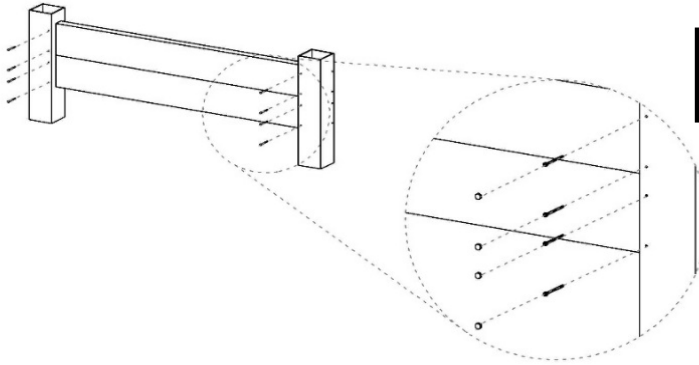
- Battery or Electric Drill (#2 phillips bit)
- Tape Measure
- Hammer or Rubber Mallet (Recommended)
- Shovel or Post Hole Digger (Recommended)
- PVC, Super or Crazy Glue

Part #	Description	Dimension	Box #	Qty
1	Corner Post	4" square x 19"	1	4
2	Rail	1 ½" x 5 ½" x 48"	1	4
3	Rail	1 ½" x 5 ½" x 45"	1	4
4	Flat Cap	4" square	1	4
5	Hardware Bag (Includes):		1	1
	▪ Painted Screw	2"		32



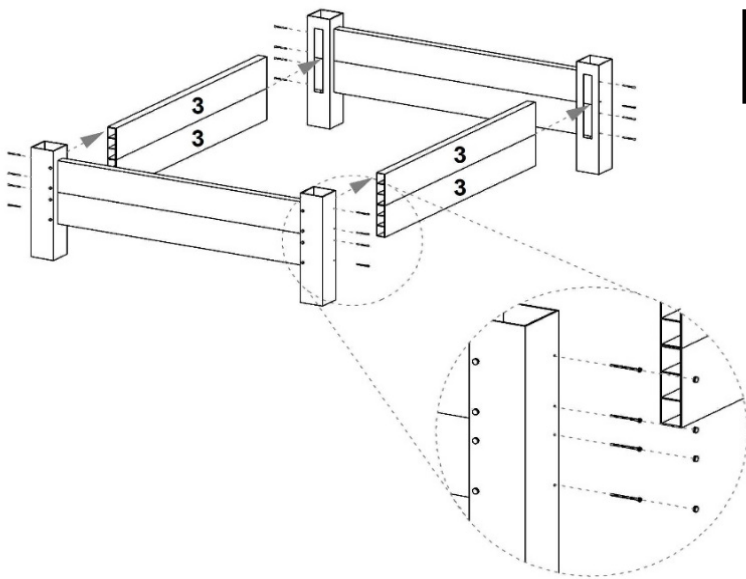


**1** Insert ends of two 1 ½" x 5 ½" x 48" rails (part 2) into two 4" x 4" x 19" corner posts (part 1).



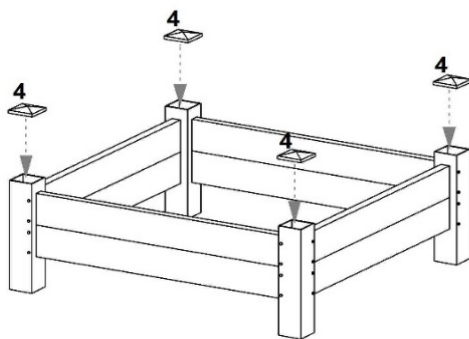
**2** Using 2" screws, screw together planter bed side. Be sure all parts are fully inserted into posts before securing.

REPEAT steps 1 and 2 with remaining two 48" rails and corner posts.



**3** Insert ends of four 1 ½" x 5 ½" x 45" rails (part 3) into remaining routed holes of corner posts to form planter bed.

Using 2" screws, screw together the planter bed. Be sure 45" rails are inserted to meet 48" rails. Four 45" rails will not fully insert into posts



**4** Apply PCV or super glue to inner edged of four 4" sq. flat post caps and place on top of each post.

To install, dig four holes 6" deep. The outside dimensions are 48¼" x 50½".

# *Warranty Statement*

## **20 Year Guarantee**

- A. Physical abuse, misuse, neglect, or improper storage.
- B. Improper installation or installation not in strict adherence to the instructions written by Dura-Trel, Inc.
- C. This warranty does not apply if materials are painted, varnished, or coated with any substance.
- D. Dura-Trel, Inc. is not responsible for damages to product during shipping.
- E. Damage attributable to atmospheric pollutants, hail, lightning, hurricane, tornado, wind borne objects, earthquake, fire, mildew, casualty, act of God, building or ground settlement, or subjection to stress or weight.