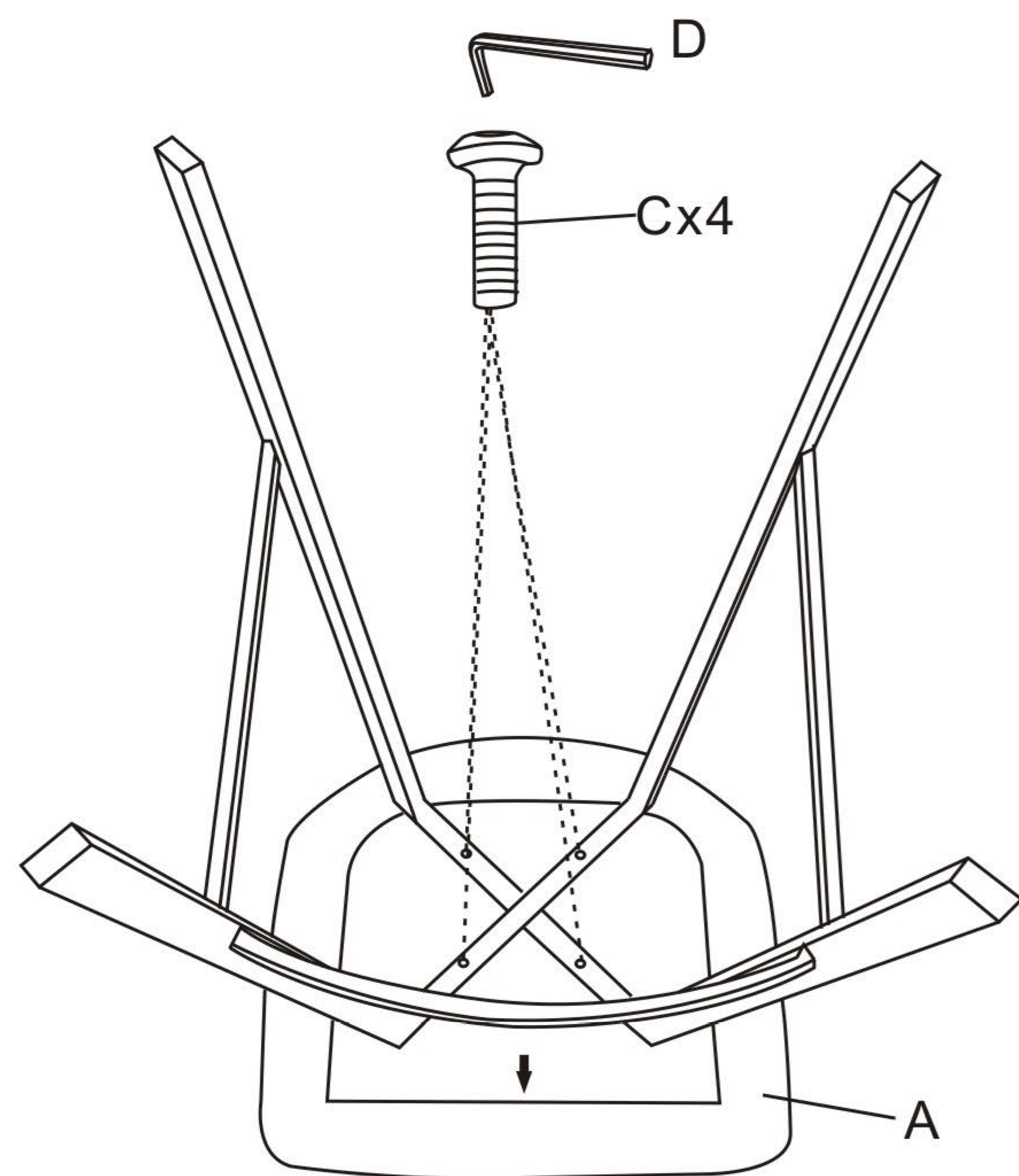


# ASSEMBLY INSTRUCTION

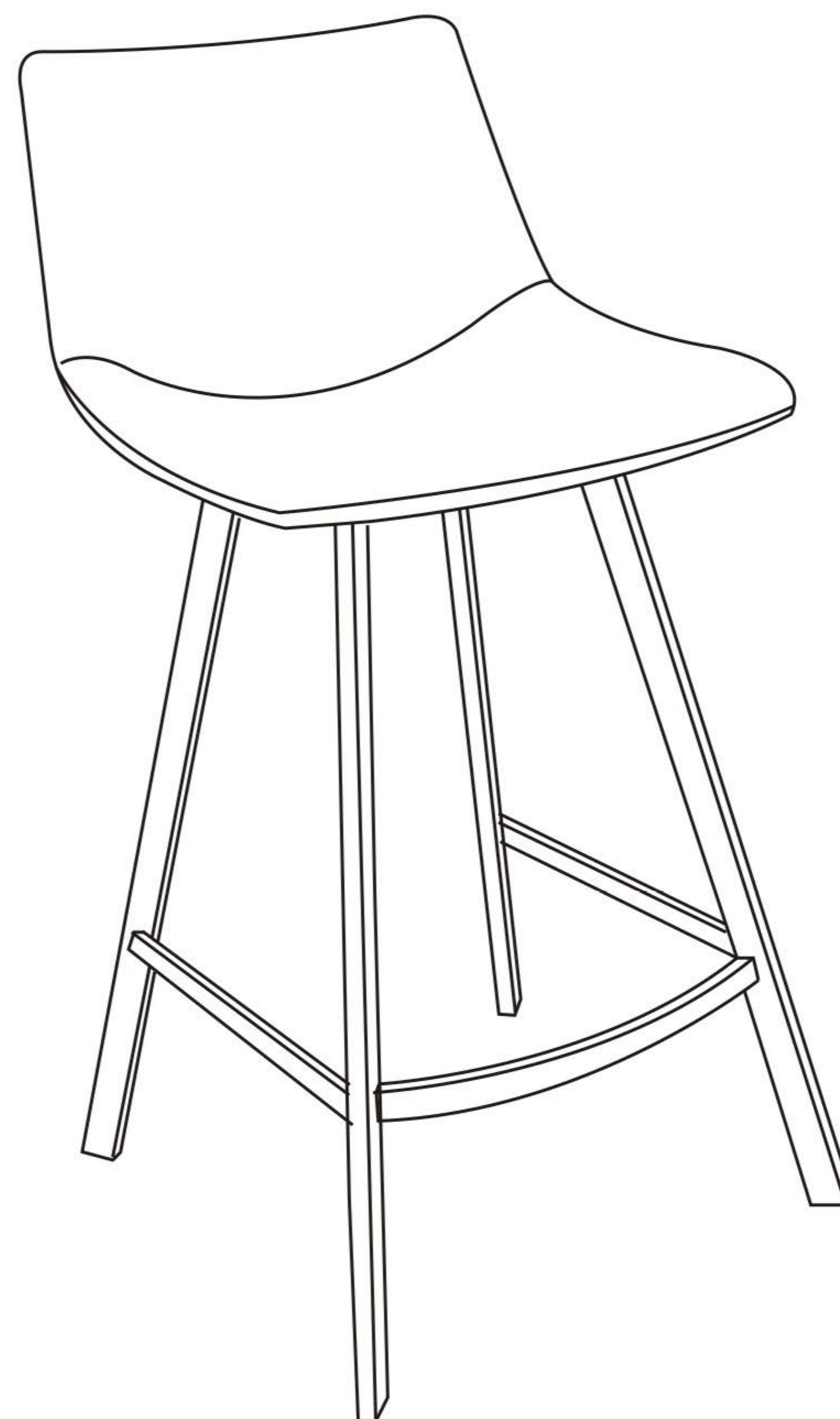
▽ PARTSxQTY

## ▽ ASSEMBLY PROGRAM

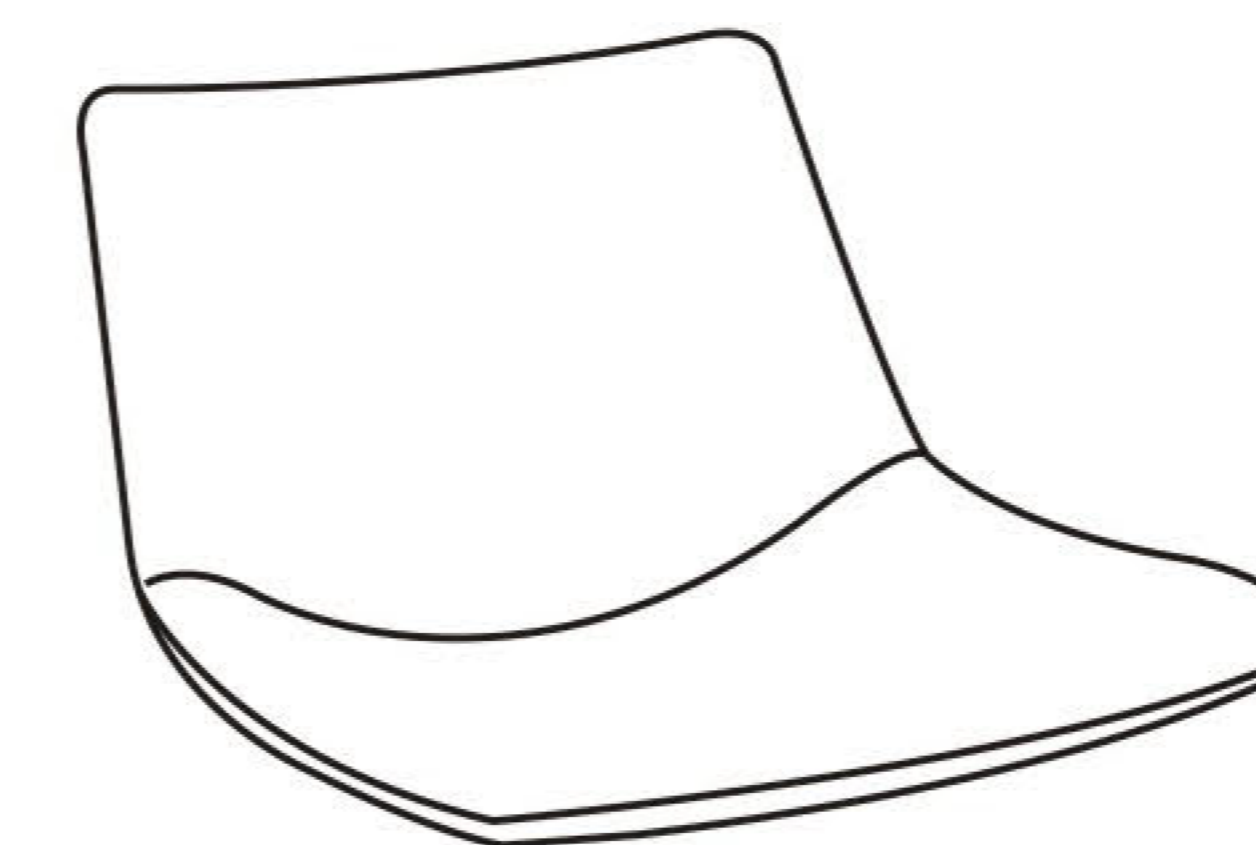
①



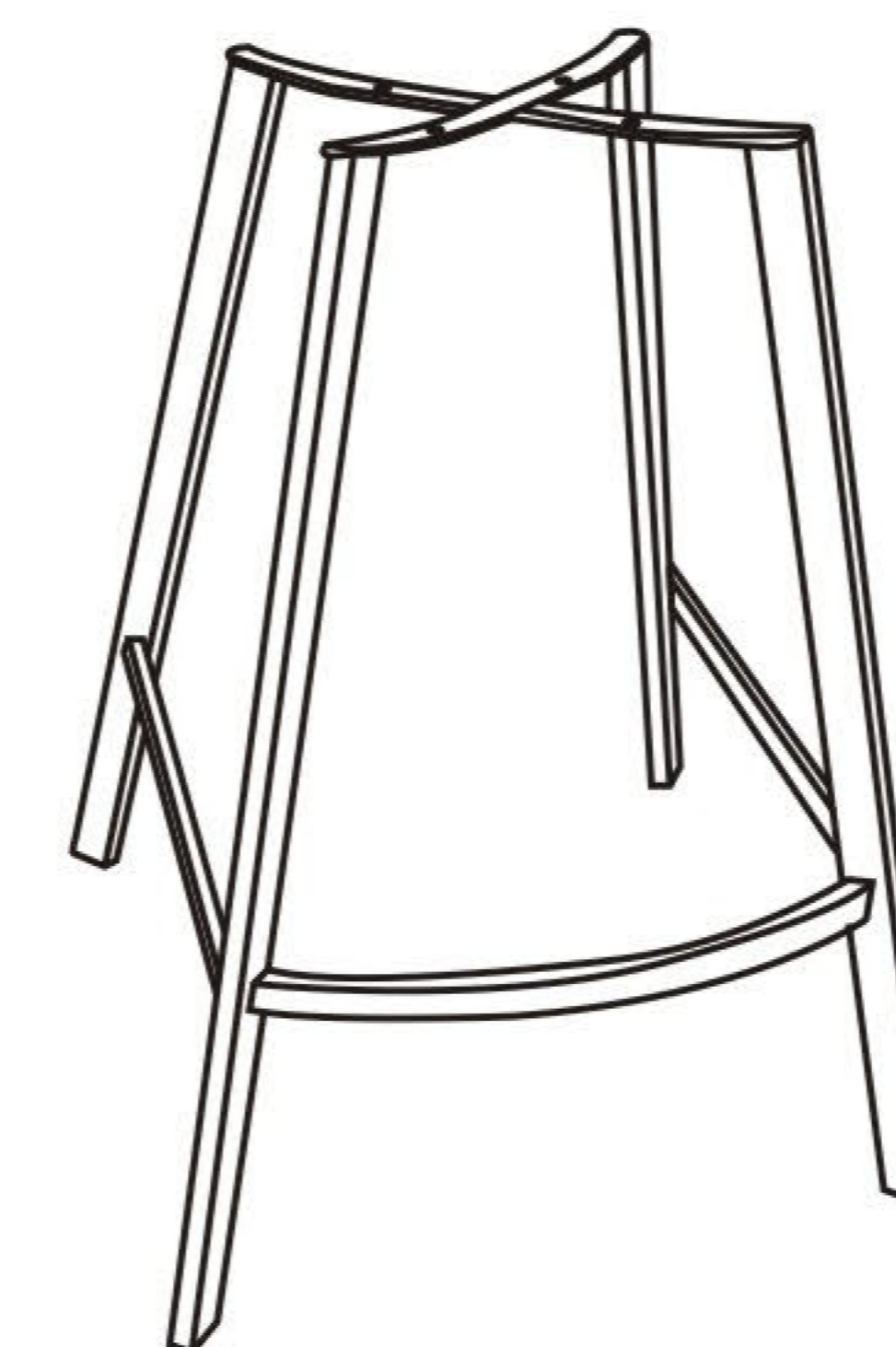
②



AX1



Bx1



Cx4



M6x18mm

Dx1

